



US00D857599S

(12) **United States Design Patent** (10) **Patent No.:** **US D857,599 S**
Trim (45) **Date of Patent:** **** Aug. 27, 2019**

- (54) **WHEEL**
- (71) Applicant: **Jaguar Land Rover Limited**, Whitley, Coventry (GB)
- (72) Inventor: **James Trim**, Coventry (GB)
- (73) Assignee: **Jaguar Land Rover Limited**, Whitley, Coventry (GB)
- (**) Term: **15 Years**
- (21) Appl. No.: **29/655,566**
- (22) Filed: **Jul. 5, 2018**

Related U.S. Application Data

- (62) Division of application No. 29/604,896, filed on May 22, 2017, now Pat. No. Des. 825,432.

(30) **Foreign Application Priority Data**

Nov. 30, 2016 (EM) 003492891-0008

- (51) **LOC (12) Cl.** **12-16**

- (52) **U.S. Cl.**
USPC **D12/211**

- (58) **Field of Classification Search**
USPC D12/204, 205, 206, 207, 208, 209, 210, D12/211, 212, 213
CPC B60B 7/00; B60B 7/01; B60B 7/02; B60B 7/04; B60B 7/06; B60B 3/02; B60B 3/04; B60B 3/06; B60B 3/10; B60B 1/00; B60B 1/08; B60B 1/10; B60B 1/12
See application file for complete search history.

(56) **References Cited**

U.S. PATENT DOCUMENTS

- D476,285 S * 6/2003 Yoshida D12/211
- D508,671 S * 8/2005 Baum D12/209
- D515,996 S * 2/2006 Baumgartner D12/209

- D538,731 S * 3/2007 Iwauchi D12/211
- D593,477 S * 6/2009 Chen D12/211
- D595,201 S * 6/2009 Antoniadis D12/211
- D611,396 S * 3/2010 Antoniadis D12/211
- D614,114 S * 4/2010 Kim D12/211
- D626,051 S * 10/2010 Fisker D12/209
- D671,876 S * 12/2012 Roura D12/209
- D673,094 S * 12/2012 Behmer D12/209
- D685,708 S * 7/2013 Gallert D12/209
- D689,808 S * 9/2013 Buck D12/209
- D694,693 S * 12/2013 Behmer D12/209
- D729,137 S * 5/2015 Muntada Roura D12/209

(Continued)

OTHER PUBLICATIONS

“Coventry Jaguar Wheels” [online]. Coventrywheels.com. [Retrieved on Mar. 12, 2018]. Retrieved from the Internet: <<http://www.coventrywheels.com/custom-jaguar-wheels/>>.*

(Continued)

Primary Examiner — Khawaja Anwar

Assistant Examiner — Mojtaba Tehrani

(74) *Attorney, Agent, or Firm* — Wood Herron & Evans LLP

(57) **CLAIM**

The ornamental design for a wheel, as shown and described.

DESCRIPTION

FIG. 1 is a front left perspective view of a wheel for a vehicle according to the present invention.

FIG. 2 is a front right perspective view of the wheel shown in FIG. 1.

FIG. 3 is a front view thereof.

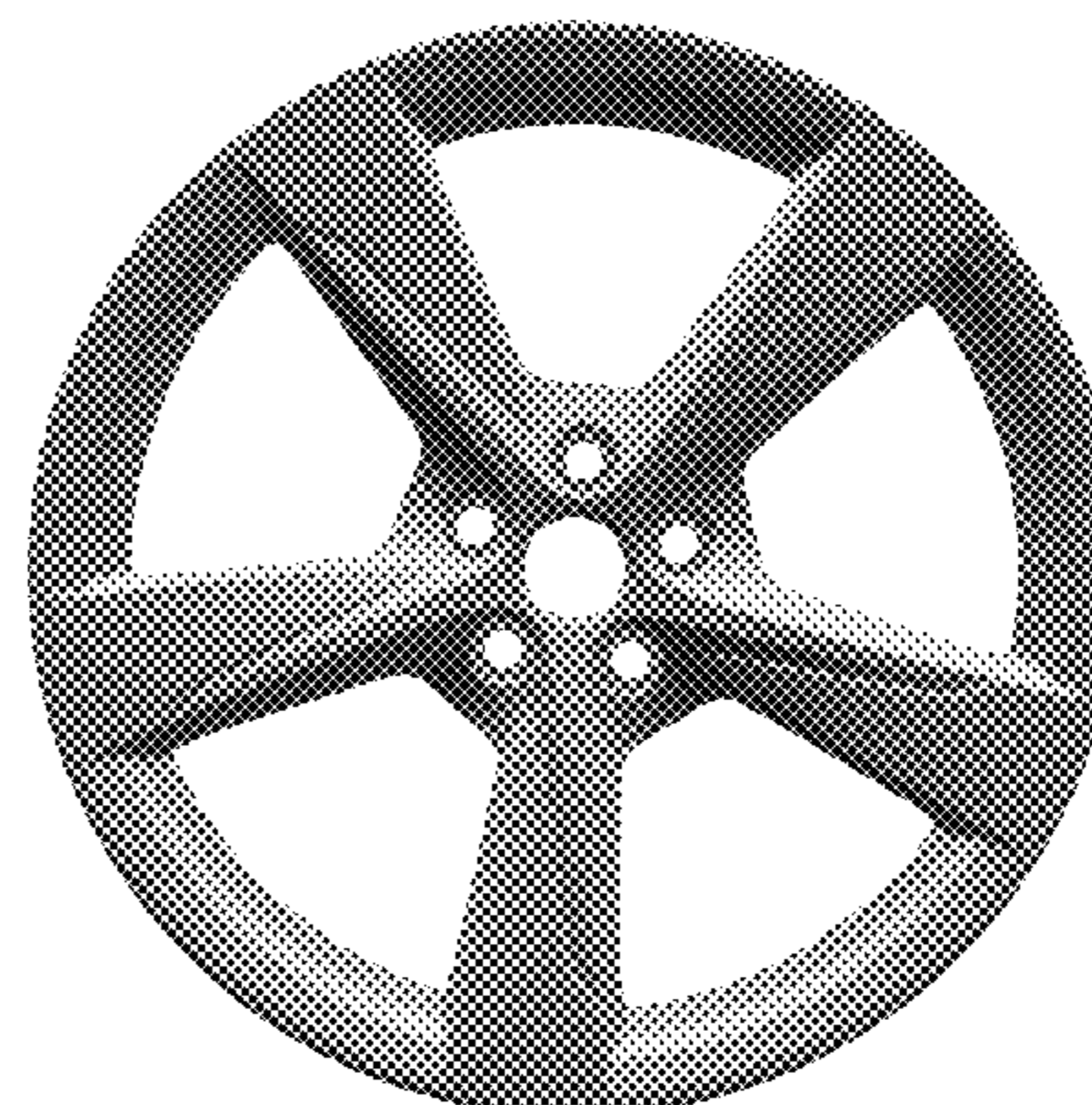
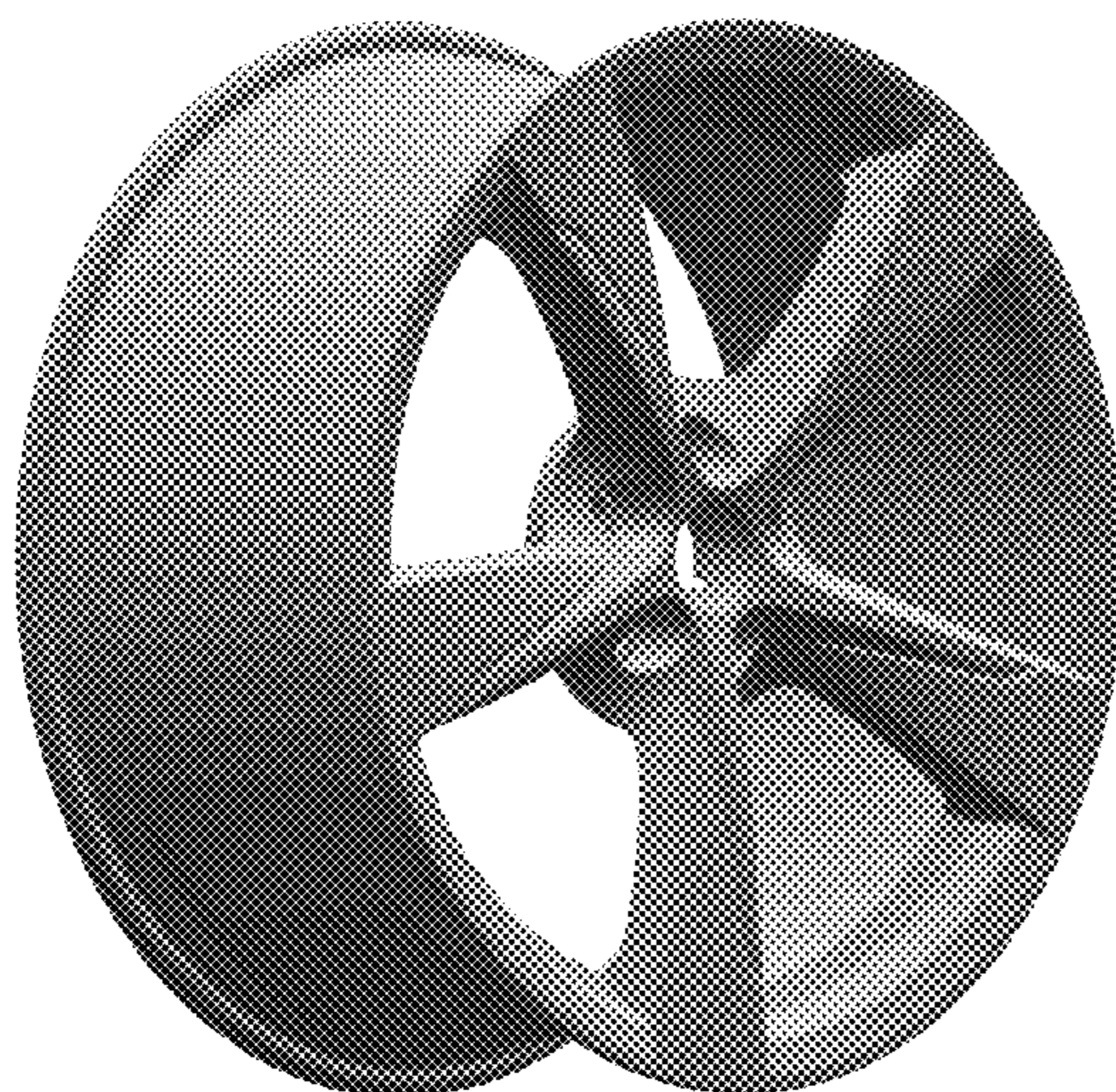
FIG. 4 is a left side view thereof, the right side view being a mirror image thereof.

FIG. 5 is a rear view thereof.

FIG. 6 is a rear right perspective view thereof; and,

FIG. 7 is a rear left perspective view thereof.

1 Claim, 5 Drawing Sheets



(56)

References Cited

U.S. PATENT DOCUMENTS

D744,397	S	*	12/2015	Pollmann	D12/209
D744,399	S	*	12/2015	Juergens	D12/209
D747,256	S	*	1/2016	Johnson	D12/211
D770,958	S	*	11/2016	Panchal	D12/211
D774,439	S	*	12/2016	Gallert	D12/211
D779,408	S	*	2/2017	Chung	D12/211
D783,487	S	*	4/2017	Koglin	D12/209
D790,423	S	*	6/2017	Valencia Pollex	D12/209
D791,033	S	*	7/2017	Peat	D12/209
D792,313	S	*	7/2017	Langhals	D12/211
D795,778	S	*	8/2017	Valencia Pollex	D12/211
D798,216	S	*	9/2017	Snyder	D12/211
D807,269	S	*	1/2018	Peat	D12/209
D813,781	S	*	3/2018	Valencia Pollex	D12/209
D815,006	S	*	4/2018	Valencia Pollex	D12/209
D815,009	S	*	4/2018	Valencia Pollex	D12/209
D818,928	S	*	5/2018	Myrberg	D12/209
D820,759	S	*	6/2018	Gallert	D12/209
D823,773	S	*	7/2018	Valencia Pollex	D12/209
D825,432	S	*	8/2018	Trim	D12/211
D826,126	S	*	8/2018	Valencia Pollex	D12/209
D830,273	S	*	10/2018	Aslam	D12/213
D832,179	S	*	10/2018	Behmer	D12/211
D833,362	S	*	11/2018	Bjerke	D12/211
D833,944	S	*	11/2018	Gallert	D12/209
D842,190	S	*	3/2019	Han	D12/209
D842,194	S	*	3/2019	Han	D12/209

OTHER PUBLICATIONS

“Redbourne Land Rover Wheels” [online]. Redbournwheels.com.
[Retrieved on Mar. 12, 2018]. Retrieved from the Internet: <<http://www.redbournwheels.com/land-rover-wheels/>>.*

* cited by examiner



FIG. 1



FIG. 2



FIG. 3

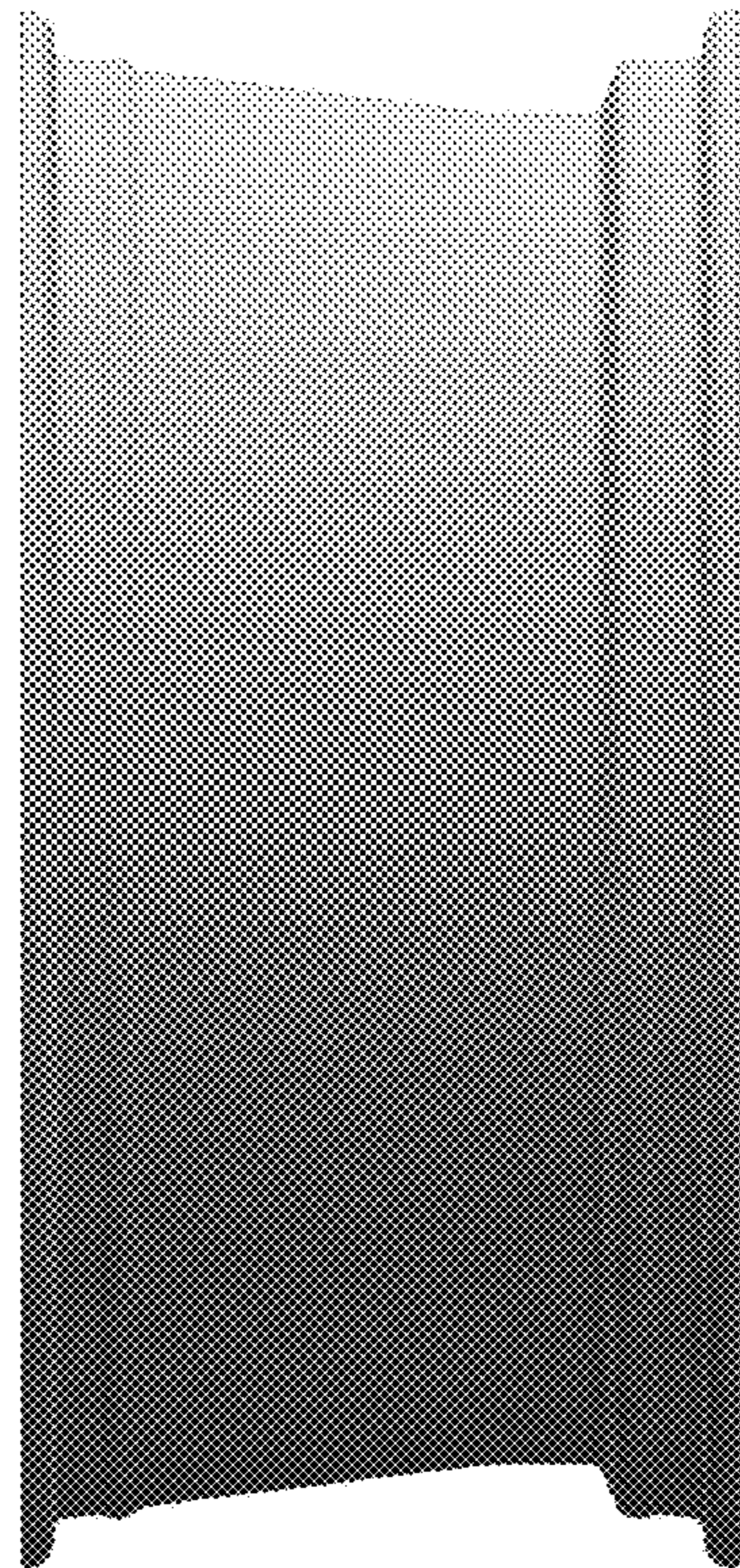


FIG. 4



FIG. 5

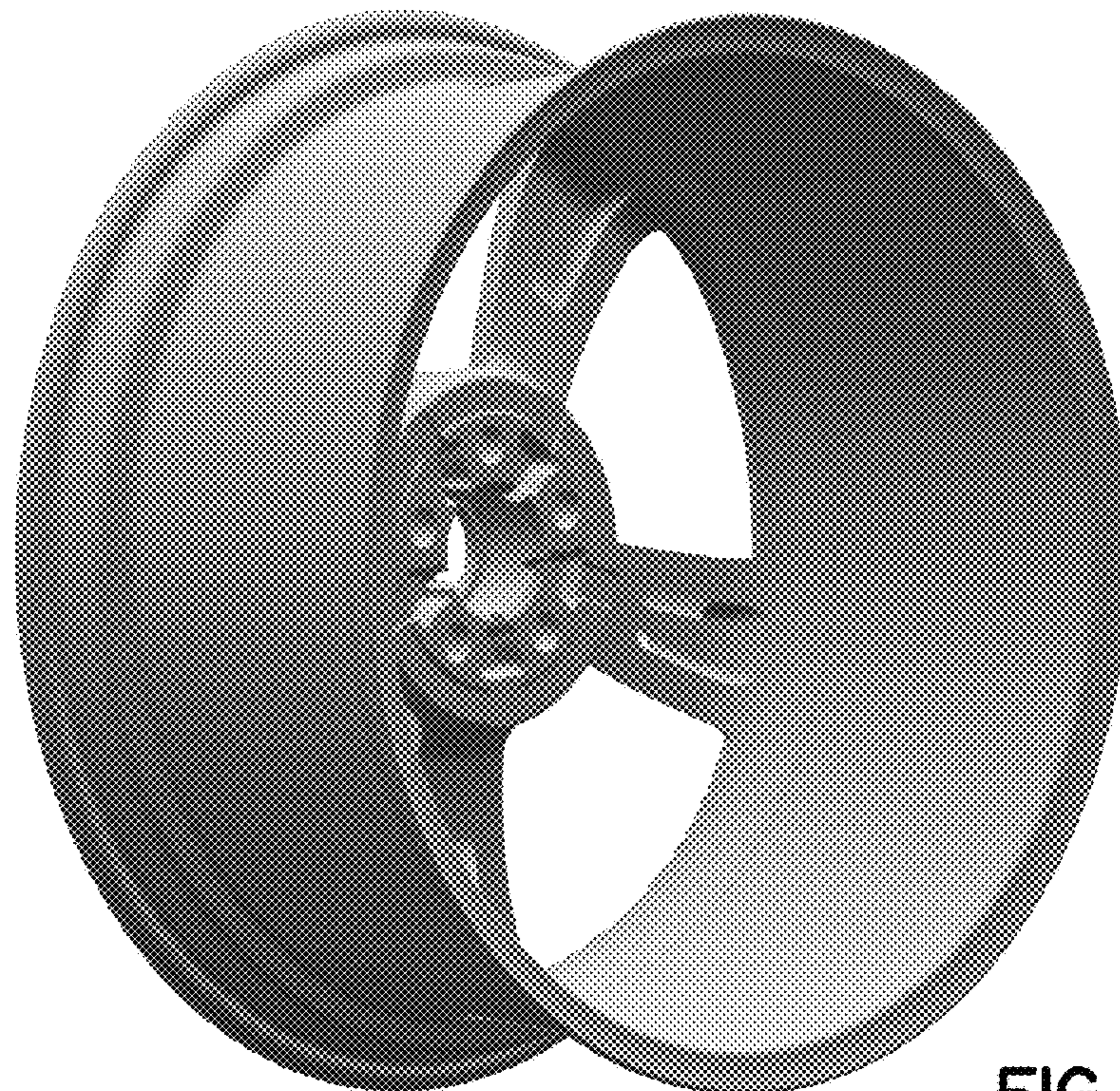


FIG. 6



FIG. 7