



US00D857596S

(12) **United States Design Patent**  
**Liu**

(10) **Patent No.:** **US D857,596 S**

(45) **Date of Patent:** **\*\* Aug. 27, 2019**

(54) **VEHICLE WHEEL**

(71) Applicant: **Dicastal North America, Inc.**,  
Greenville, MI (US)

(72) Inventor: **Zhichong Liu**, Greenville, MI (US)

(73) Assignee: **DICASTAL NORTH AMERICA, INC.**, Greenville, MI (US)

(\*\*) Term: **15 Years**

(21) Appl. No.: **29/631,503**

(22) Filed: **Dec. 29, 2017**

(51) **LOC (12) Cl.** ..... **12-16**

(52) **U.S. Cl.**  
USPC ..... **D12/211**

(58) **Field of Classification Search**  
USPC ..... D12/204–213; D21/533, 561, 563  
CPC .... B60B 7/00; B60B 7/02; B60B 7/04; B60B 7/06;  
B60B 3/02; B60B 3/04; B60B 3/06;  
B60B 3/10; B60B 1/00; B60B 1/08;  
B60B 1/10; B60B 1/12

See application file for complete search history.

(56) **References Cited**

**U.S. PATENT DOCUMENTS**

D407,055 S \* 3/1999 Kelley ..... D12/209  
D438,166 S \* 2/2001 Noreiga ..... D12/211

D438,505 S \* 3/2001 McMath ..... D12/211  
D438,834 S \* 3/2001 Ong ..... D12/211  
D486,771 S \* 2/2004 Singer ..... D12/211  
D513,727 S \* 1/2006 Gallert ..... D12/211  
D568,800 S \* 5/2008 Huet ..... D12/211  
D689,005 S \* 9/2013 Jallad ..... D12/211  
D727,823 S \* 4/2015 Rueckheim ..... D12/209  
D841,556 S \* 2/2019 Liu ..... D12/209

\* cited by examiner

*Primary Examiner* — Sheryl Lane

*Assistant Examiner* — Calvin E Vansant

(74) *Attorney, Agent, or Firm* — Weintraub Tobin

(57) **CLAIM**

The ornamental design for a vehicle wheel, as shown and described.

**DESCRIPTION**

FIG. 1 is a front view of a vehicle wheel;  
FIG. 2 is a right side view of the vehicle wheel, the left side being a mirror image thereof;  
FIG. 3 is a perspective view of the vehicle wheel; and,  
FIG. 4 is a back view of the vehicle wheel.

**1 Claim, 4 Drawing Sheets**

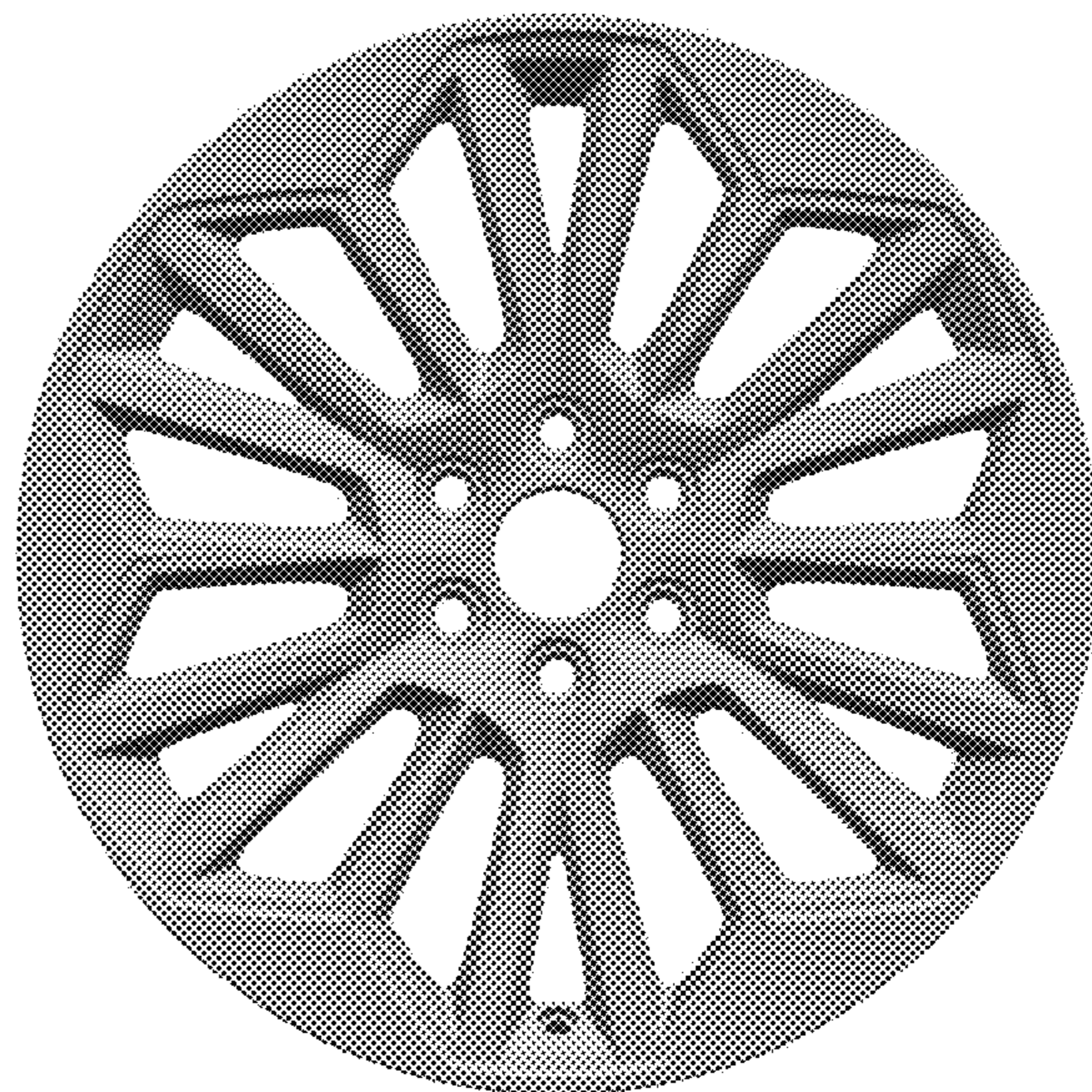
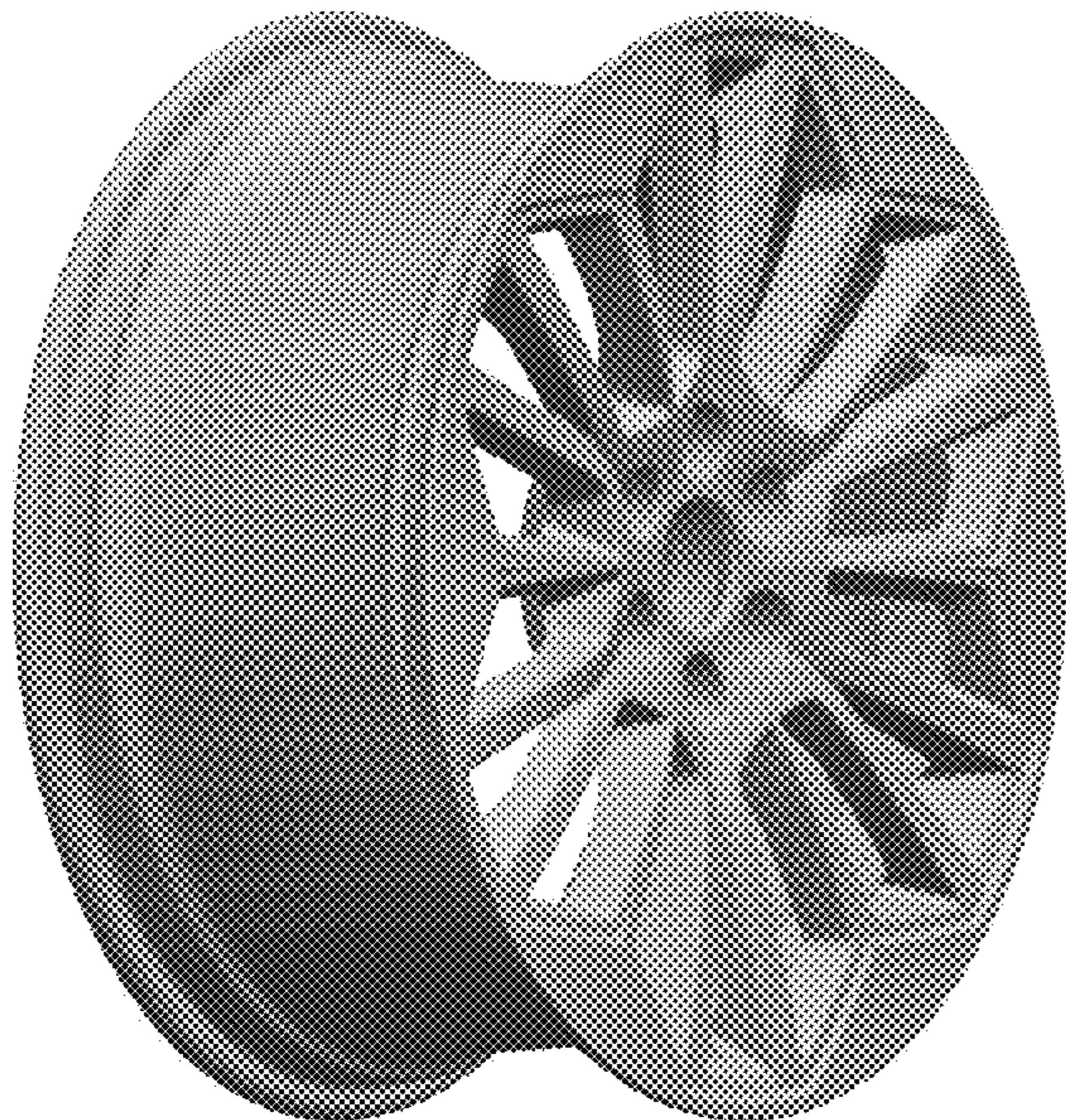




FIGURE 1





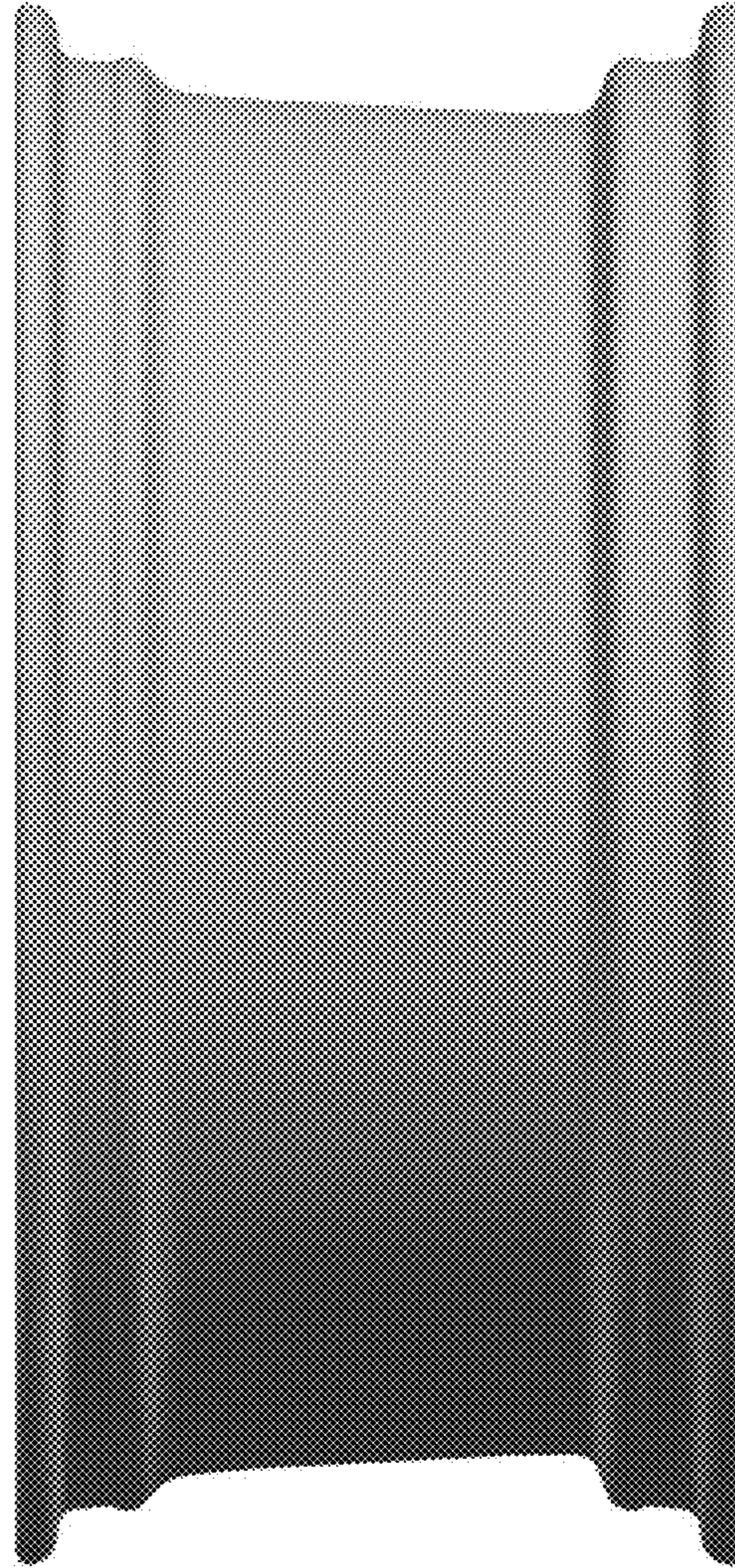


FIGURE 2



FIGURE 3





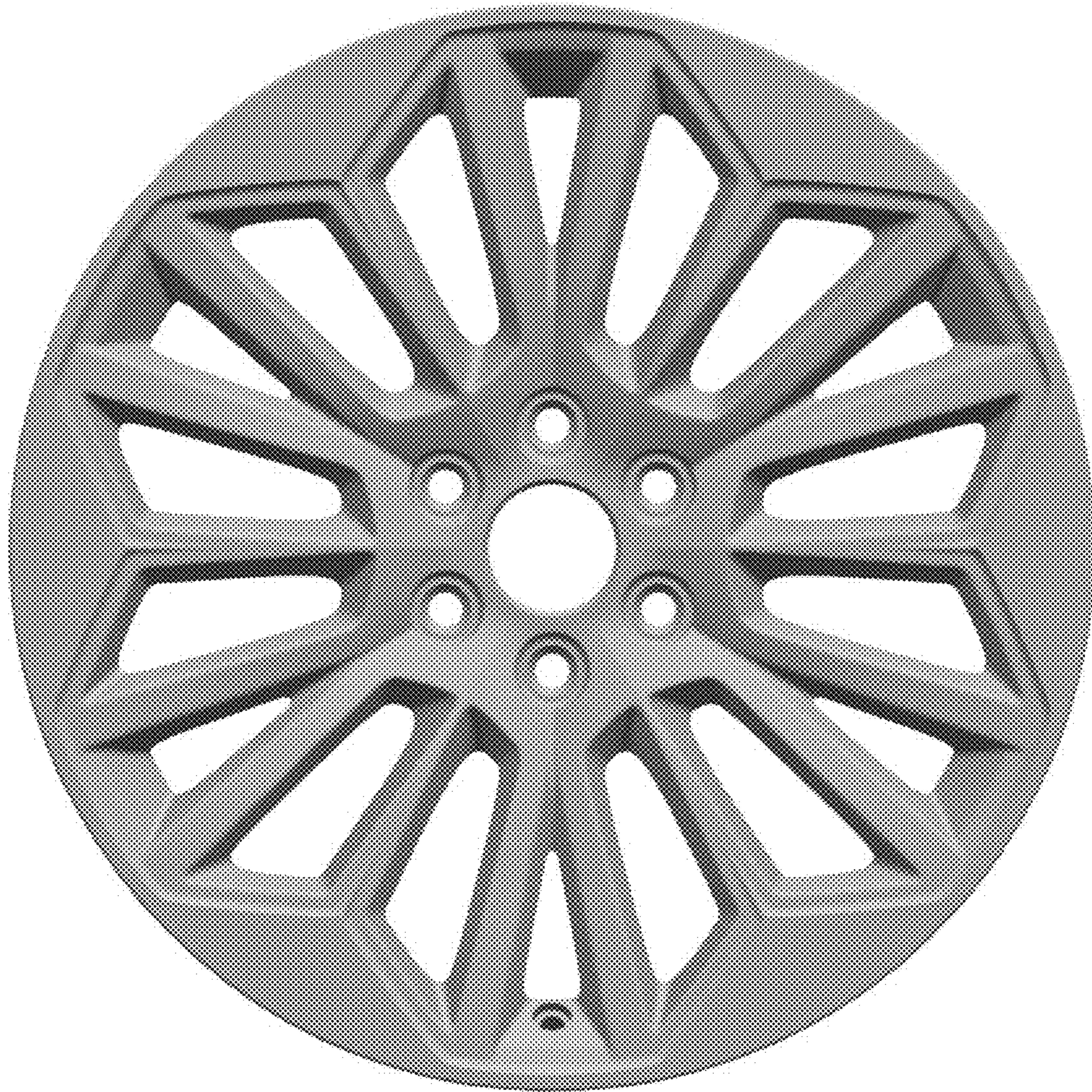


FIGURE 4