



US00D857595S

(12) **United States Design Patent** (10) **Patent No.:** **US D857,595 S**  
**Luo** (45) **Date of Patent:** **\*\* Aug. 27, 2019**

(54) **VEHICLE WHEEL**  
(71) Applicant: **JAT Wheels, Inc.**, Alhambra, CA (US)  
(72) Inventor: **Tom Luo**, Alhambra, CA (US)  
(\*\*) Term: **15 Years**  
(21) Appl. No.: **29/613,246**  
(22) Filed: **Aug. 8, 2017**  
(51) **LOC (12) Cl.** ..... **12-16**  
(52) **U.S. Cl.**  
USPC ..... **D12/211**  
(58) **Field of Classification Search**  
USPC ..... D12/204-213; D21/533, 561, 563  
CPC .... B60B 7/00; B60B 7/02; B60B 7/04; B60B  
7/06; B60B 3/02; B60B 3/04; B60B 3/06;  
B60B 3/10; B60B 1/00; B60B 1/08;  
B60B 1/10; B60B 1/12  
See application file for complete search history.

D780,662 S \* 3/2017 Zhao ..... D12/211  
D784,235 S \* 4/2017 Kim ..... D12/211  
D786,768 S \* 5/2017 Youssef ..... D12/211  
D803,129 S \* 11/2017 McMath ..... D12/209  
D803,753 S \* 11/2017 Zhao ..... D12/211  
D806,630 S \* 1/2018 McMath ..... D12/211  
D808,325 S \* 1/2018 Chung ..... D12/211  
D808,881 S \* 1/2018 Simpson ..... D12/211  
D817,845 S \* 5/2018 Guidry ..... D12/209  
D823,775 S \* 7/2018 Sempek ..... D12/211  
D830,278 S \* 10/2018 Aslam ..... D12/213  
D834,483 S \* 11/2018 Johnson ..... D12/209

\* cited by examiner

*Primary Examiner* — Sheryl Lane  
*Assistant Examiner* — Calvin E Vansant  
(74) *Attorney, Agent, or Firm* — Tommy SF Wang; Wang  
IP Law Group, P.C.

(57) **CLAIM**

The ornamental design for a vehicle wheel, as shown and described.

(56) **References Cited**

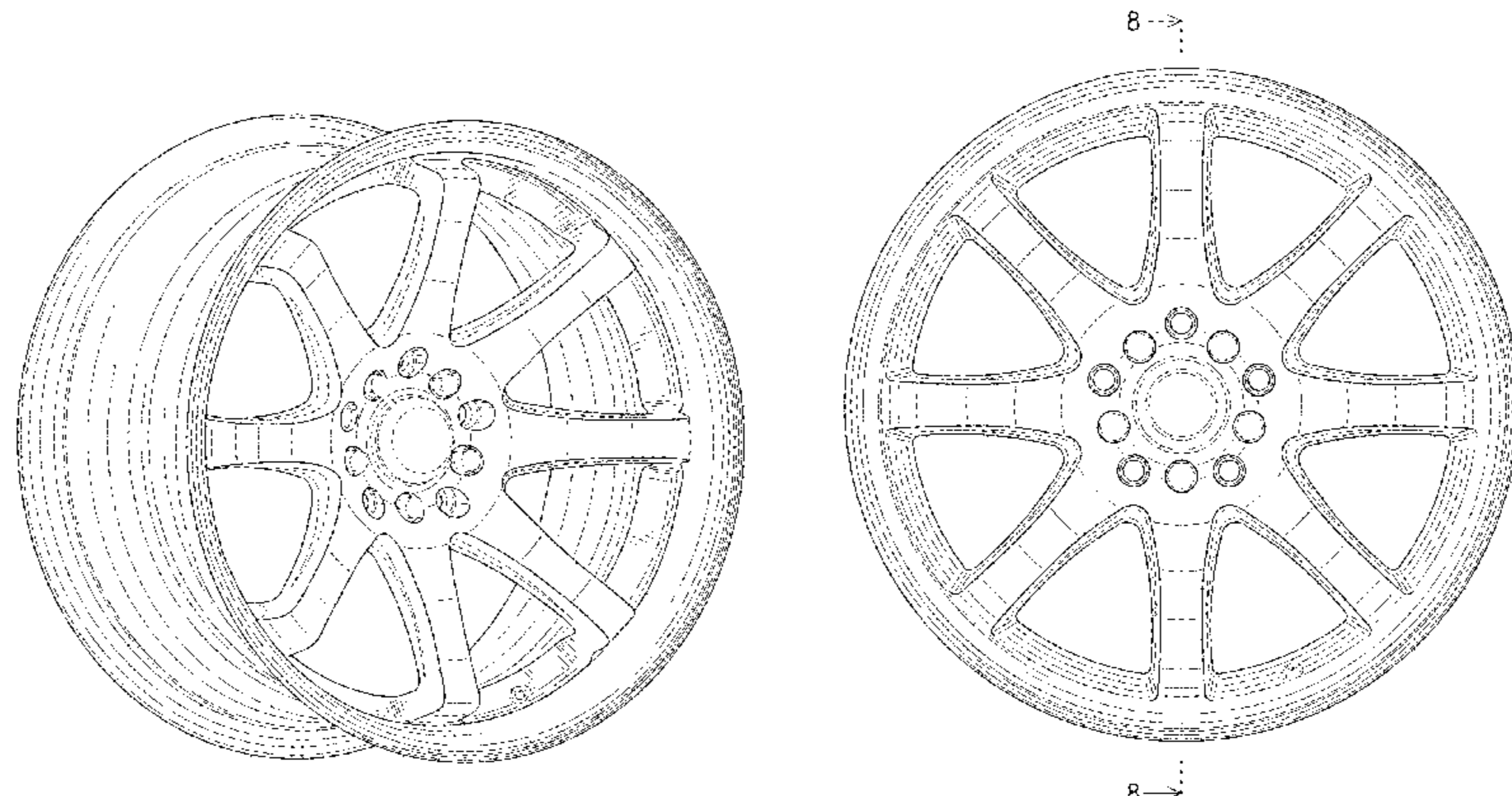
U.S. PATENT DOCUMENTS

D450,030 S \* 11/2001 Pfeiffer ..... D12/211  
D476,284 S \* 6/2003 Pfeiffer ..... D12/211  
D497,870 S \* 11/2004 Cahyono ..... D12/211  
D515,996 S \* 2/2006 Baumgartner ..... D12/209  
D535,240 S \* 1/2007 Chang ..... D12/211  
D543,922 S \* 6/2007 Young ..... D12/209  
D548,167 S \* 8/2007 Groom ..... D12/211  
D691,542 S \* 10/2013 Chan ..... D12/209  
D698,300 S \* 1/2014 Chung ..... D12/211  
D706,196 S \* 6/2014 Lee ..... D12/211  
D712,334 S \* 9/2014 Hale, Jr. .... D12/211  
D717,224 S \* 11/2014 Kim ..... D12/211  
D721,318 S \* 1/2015 Kim ..... D12/211  
D722,937 S \* 2/2015 Johnson ..... D12/209  
D749,486 S \* 2/2016 Huang ..... D12/211  
D751,481 S \* 3/2016 Chung ..... D12/209  
D758,947 S \* 6/2016 Zhao ..... D12/211  
D765,574 S \* 9/2016 Hale, Jr. .... D12/211  
D768,045 S \* 10/2016 Curic ..... D12/209

**DESCRIPTION**

FIG. 1 is a perspective view of a vehicle wheel showing my new design;  
FIG. 2 is a front view thereof;  
FIG. 3 is a rear view thereof;  
FIG. 4 is a left side view thereof;  
FIG. 5 is a right side view thereof;  
FIG. 6 is a top view thereof;  
FIG. 7 is a bottom view thereof; and,  
FIG. 8 is a cross-sectional view thereof taken along the line 8-8 of FIG. 2.  
The broken lines of screws in FIGS. 1-2 and 8 illustrate unclaimed environment and forms no part of the claimed design. The broken line portions of the vehicle wheel in FIGS. 1-3 and 7-8 represent unclaimed portions of the claimed design and form no part thereof.

**1 Claim, 7 Drawing Sheets**



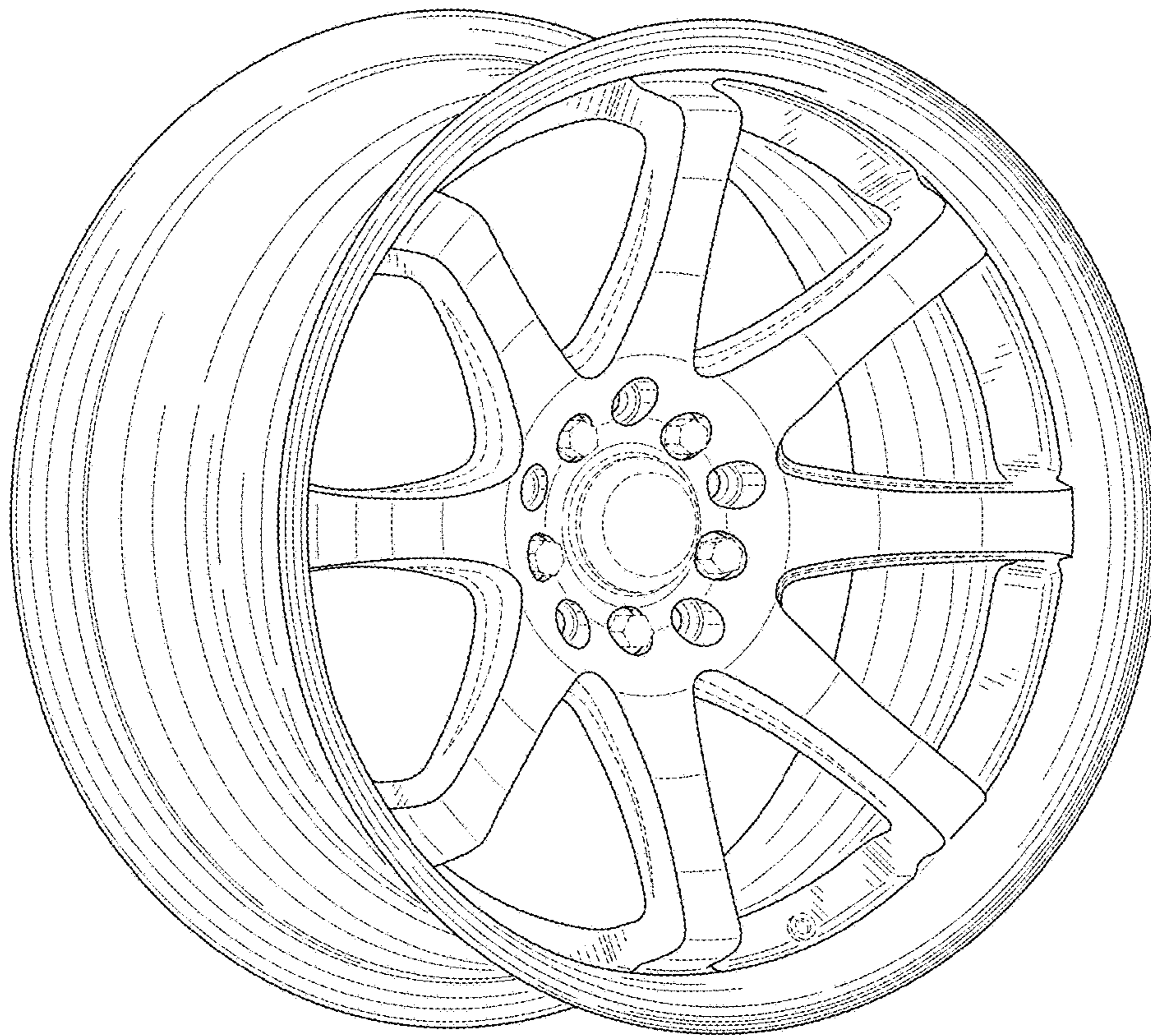


FIG. 1

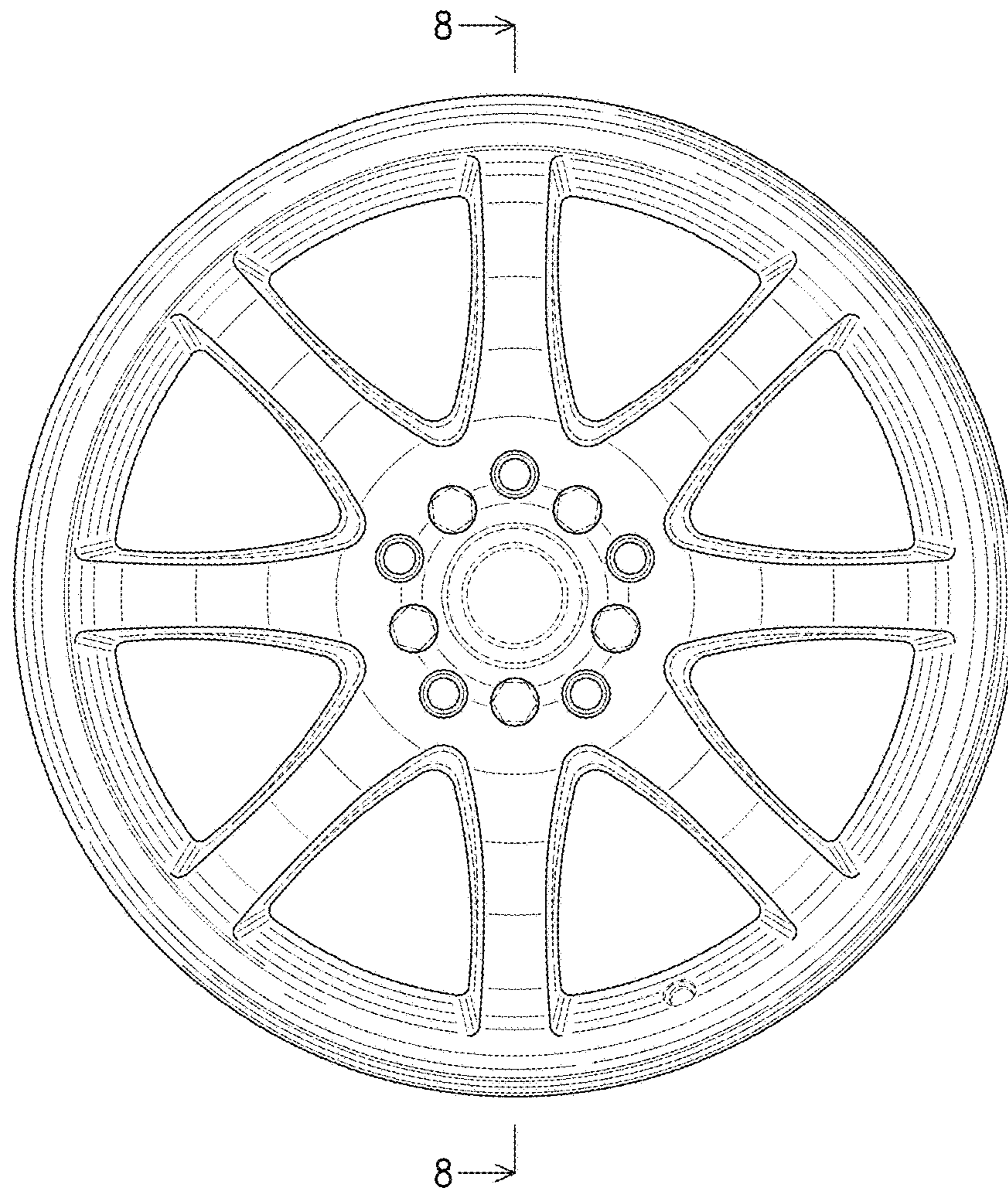


FIG. 2

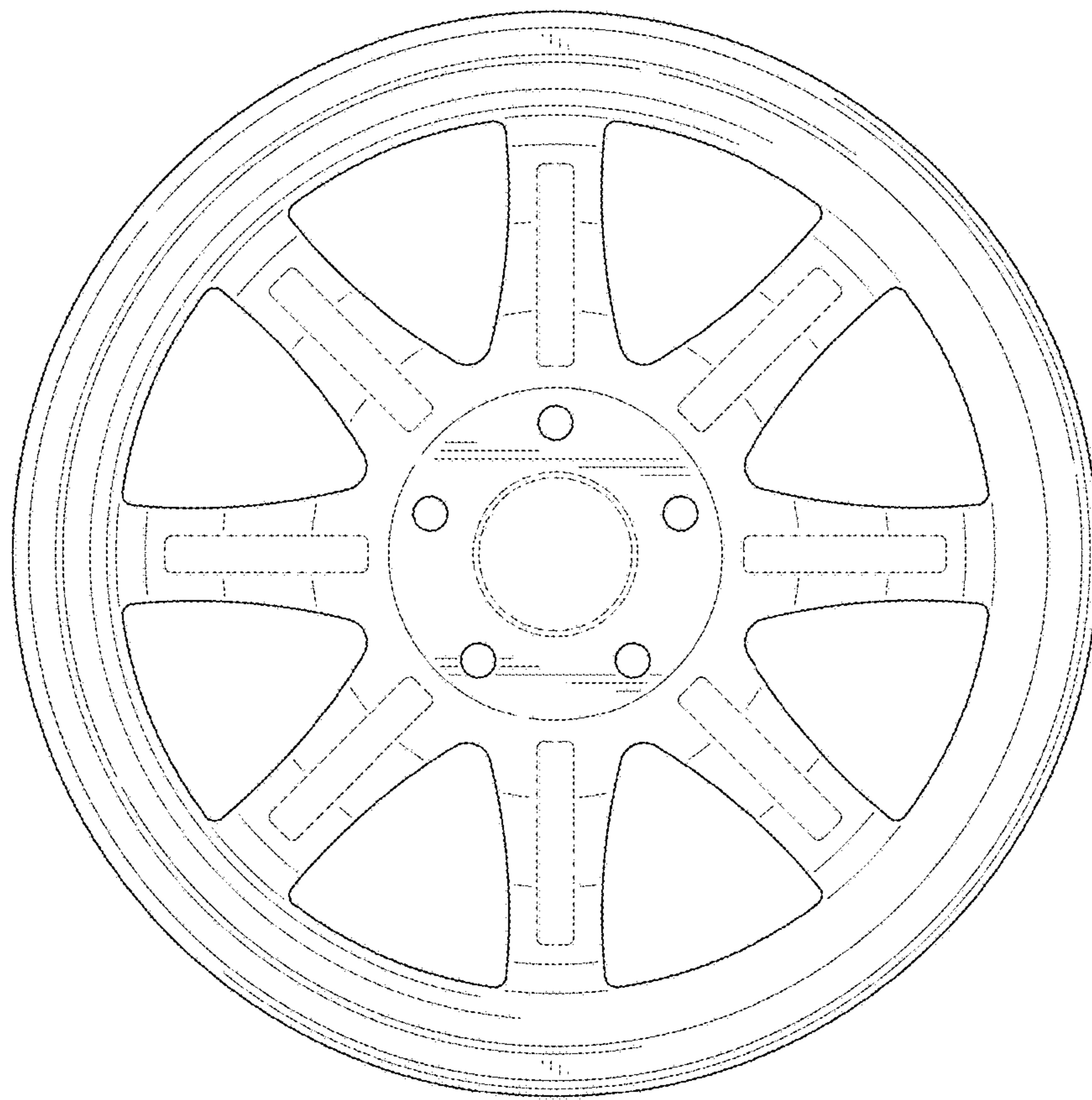


FIG. 3

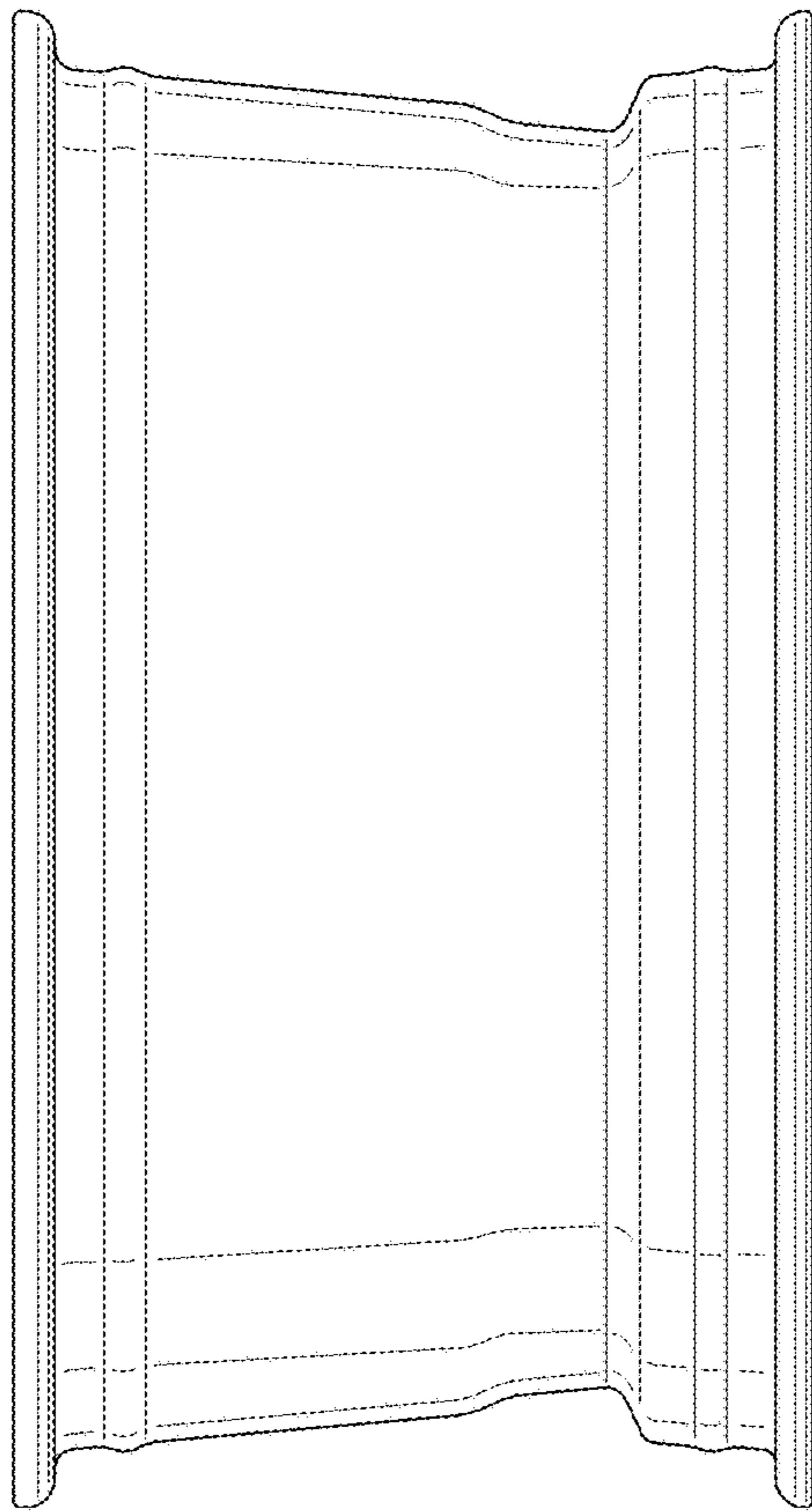


FIG. 4

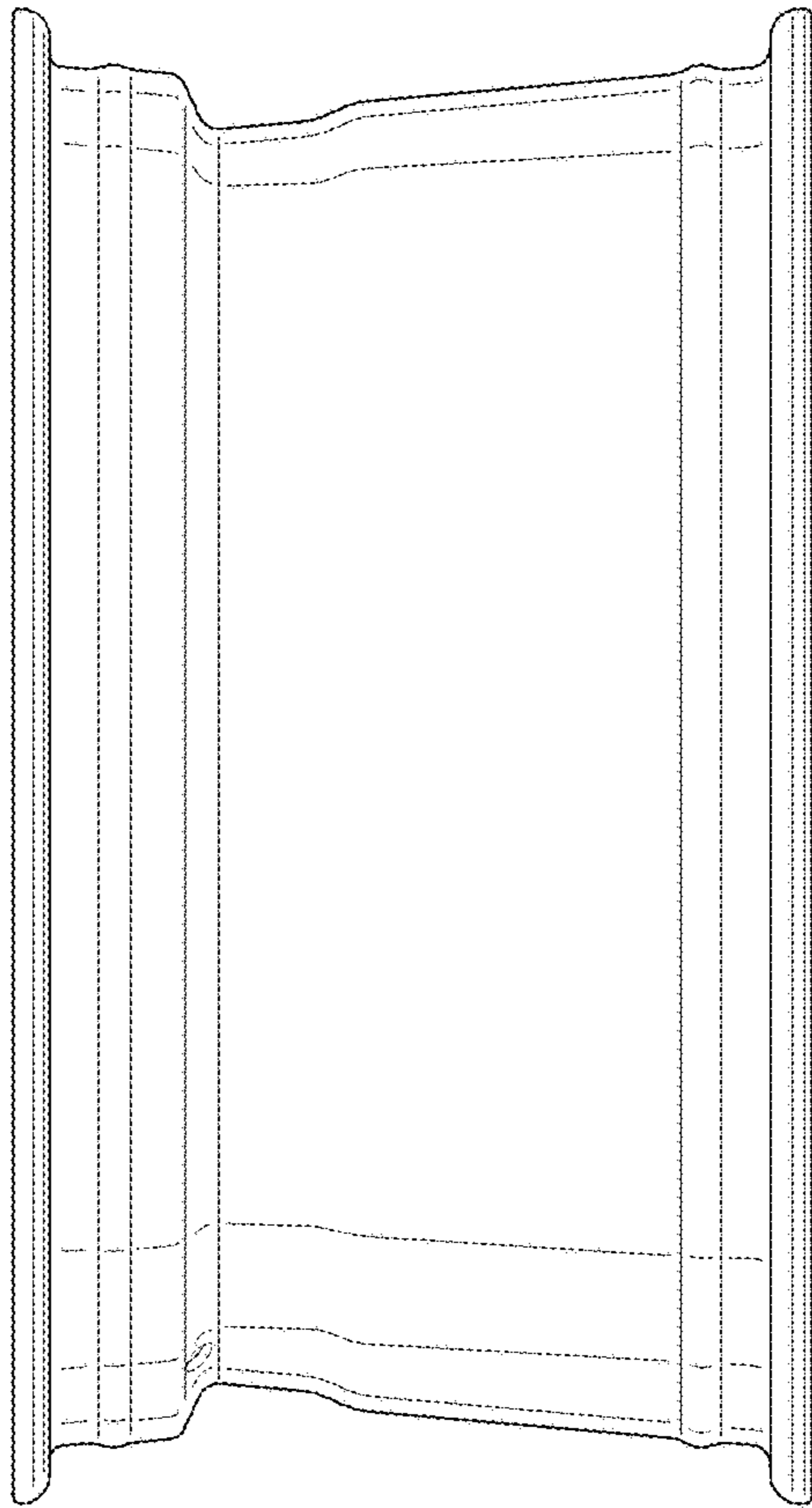


FIG. 5

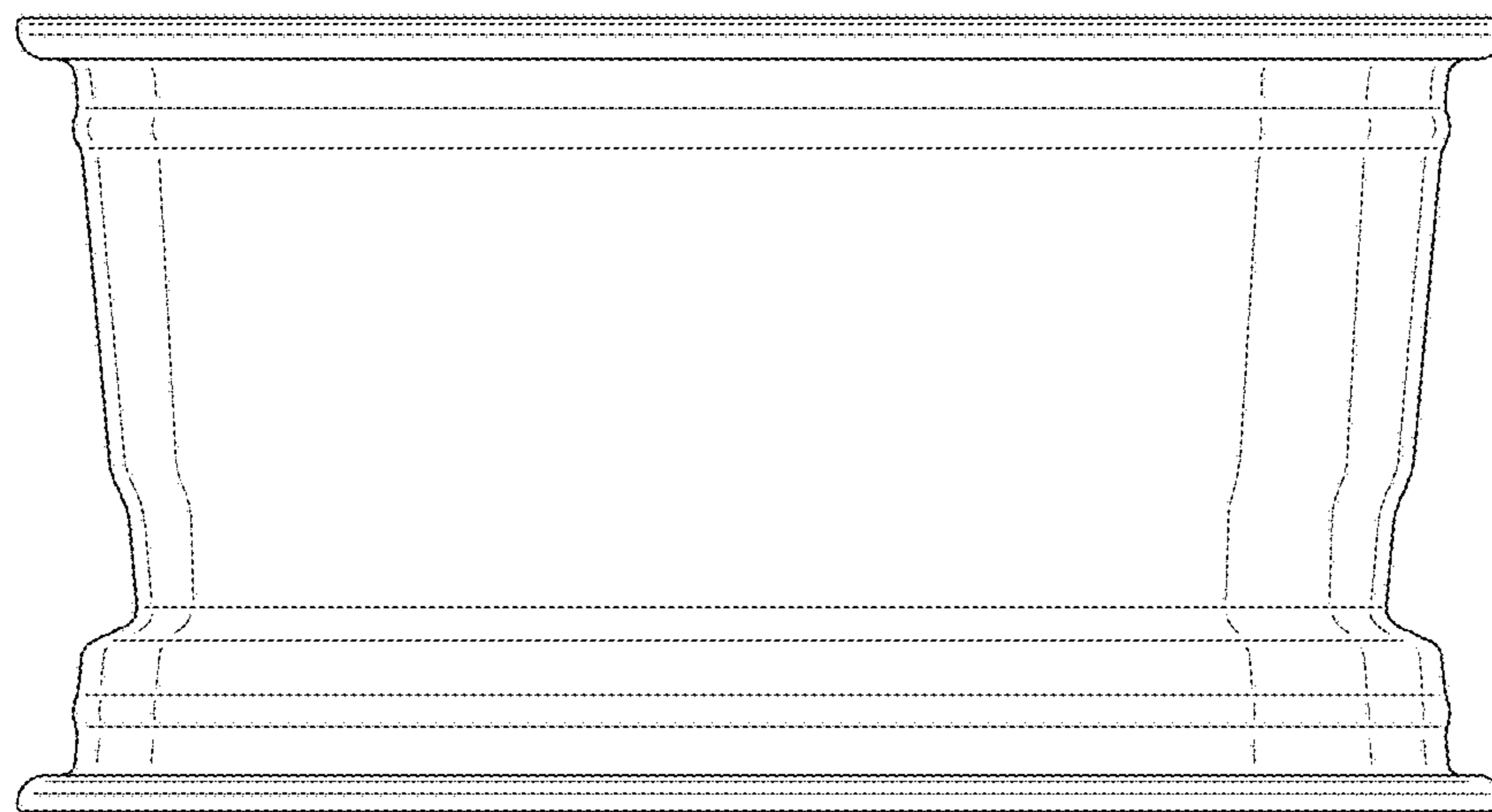


FIG. 6

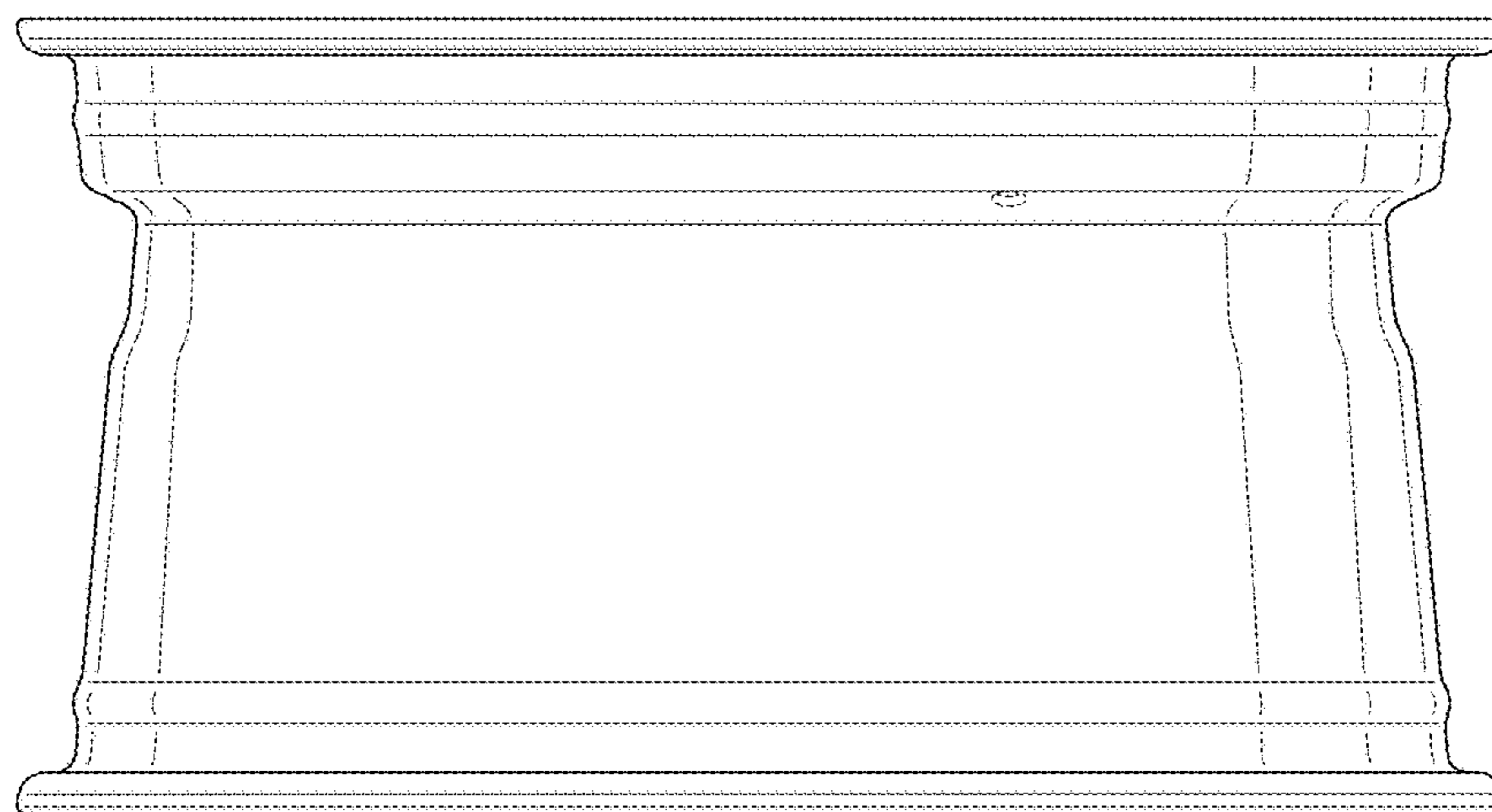


FIG. 7

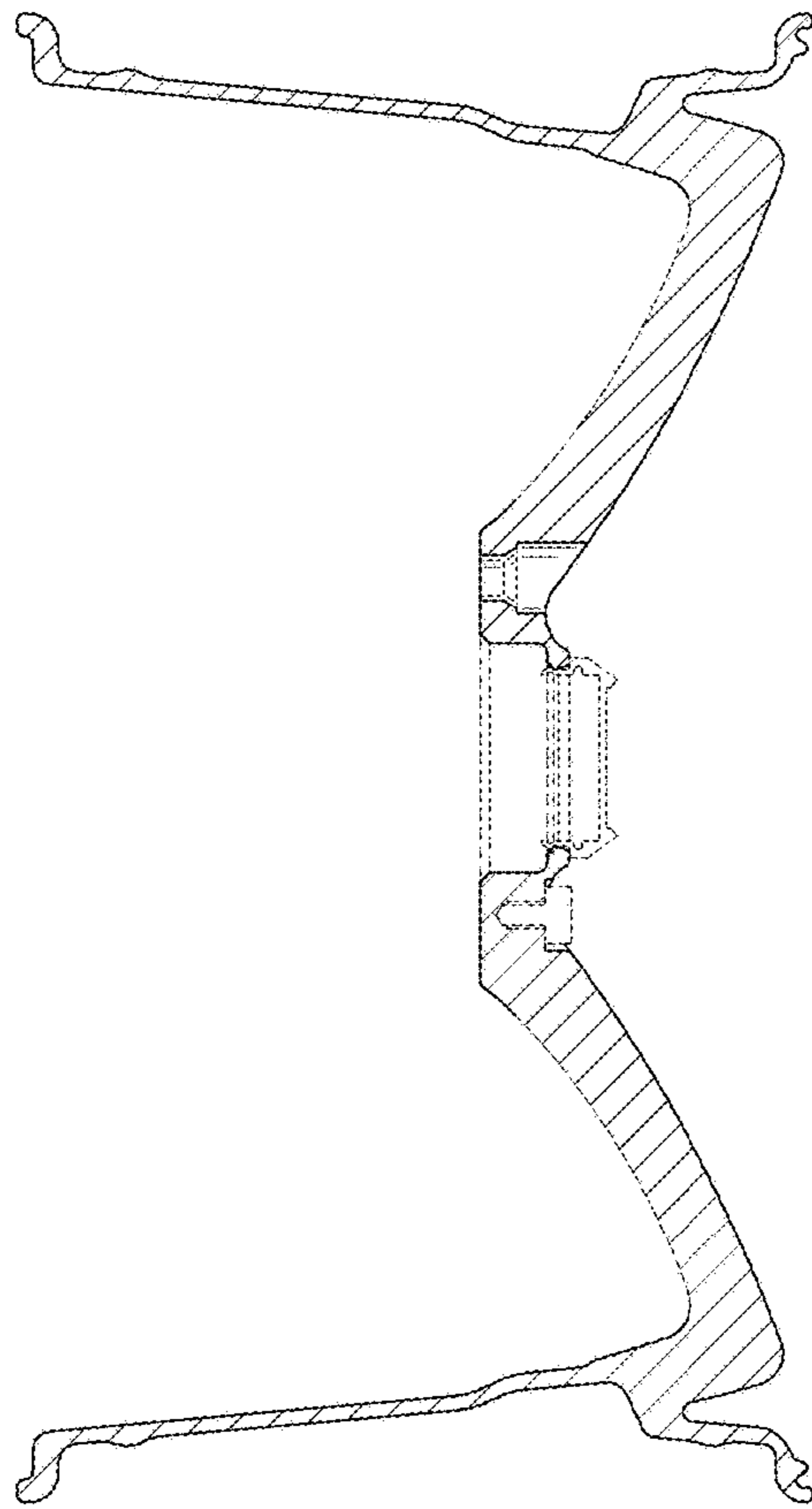


FIG. 8