



US00D857591S

(12) **United States Design Patent**  
**Brundle**

(10) **Patent No.:** **US D857,591 S**

(45) **Date of Patent:** **\*\* Aug. 27, 2019**

(54) **WHEEL**

(71) Applicant: **Jaguar Land Rover Limited**, Whitley, Coventry (GB)

(72) Inventor: **Charlie Brundle**, Coventry (GB)

(73) Assignee: **Jaguar Land Rover Limited**, Whitley, Coventry (GB)

(\*\*) Term: **15 Years**

(21) Appl. No.: **29/656,877**

(22) Filed: **Jul. 17, 2018**

**Related U.S. Application Data**

(62) Division of application No. 29/604,902, filed on May 22, 2017, now Pat. No. Des. 825,425.

(30) **Foreign Application Priority Data**

Nov. 30, 2016 (EM) ..... 003492891-0009  
Nov. 30, 2016 (EM) ..... 003492891-0010

(51) **LOC (12) Cl.** ..... **12-16**

(52) **U.S. Cl.**  
USPC ..... **D12/209**

(58) **Field of Classification Search**

USPC ..... D12/204, 205, 206, 207, 208, 209, 210, D12/211, 212, 213  
CPC .... B60B 7/00; B60B 7/01; B60B 7/02; B60B 7/04; B60B 7/06; B60B 3/02; B60B 3/04; B60B 3/06; B60B 3/10; B60B 1/00; B60B 1/08; B60B 1/10; B60B 1/12  
See application file for complete search history.

(56) **References Cited**

**U.S. PATENT DOCUMENTS**

D497,140 S \* 10/2004 Chung ..... D12/211  
D624,861 S \* 10/2010 Zhao ..... D12/209  
D737,748 S \* 9/2015 Henstridge ..... D12/209

(Continued)

**OTHER PUBLICATIONS**

“Coventry Jaguar Wheels” [online]. Coventrywheels.com. [Retrieved on Mar. 12, 2018]. Retrieved from the Internet: <http://www.coventrywheels.com/custom-jaguar-wheels/>.\*

(Continued)

*Primary Examiner* — Khawaja Anwar

*Assistant Examiner* — Mojtaba Tehrani

(74) *Attorney, Agent, or Firm* — Wood Herron & Evans LLP

(57) **CLAIM**

The ornamental design for a wheel, as shown and described.

**DESCRIPTION**

FIG. 1 is a front left perspective view of a wheel for a vehicle according to the present invention.

FIG. 2 is a front right perspective view of the wheel shown in FIG. 1.

FIG. 3 is a front view thereof.

FIG. 4 is a left side view thereof, the right side view being a mirror image thereof.

FIG. 5 is a rear view thereof.

FIG. 6 is a rear right perspective view thereof.

FIG. 7 is a rear left perspective view thereof.

FIG. 8 is a front left perspective view of a wheel for a vehicle according to a second embodiment of the present invention.

FIG. 9 is a front right perspective view of the wheel shown in FIG. 8.

FIG. 10 is a front view thereof.

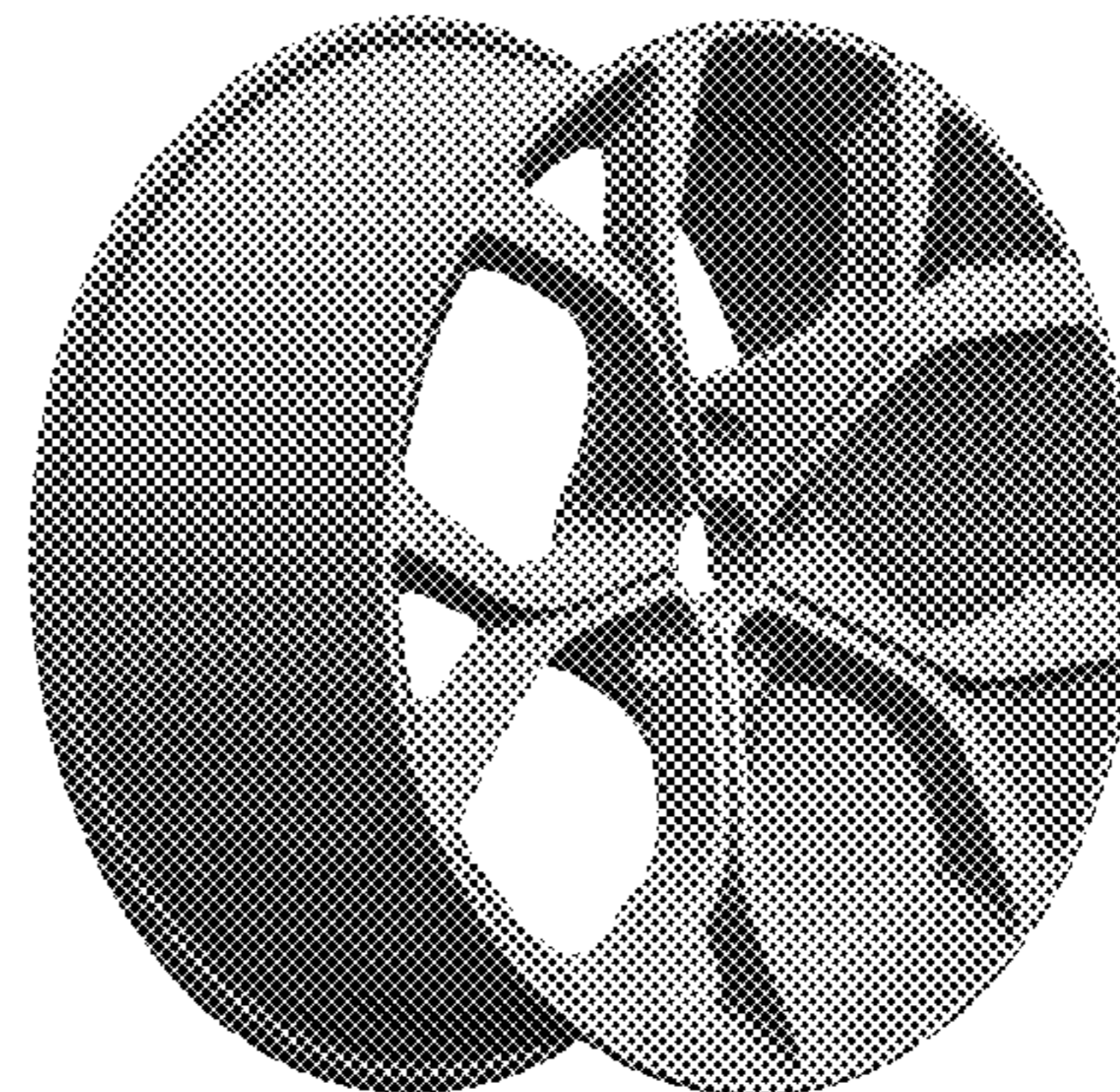
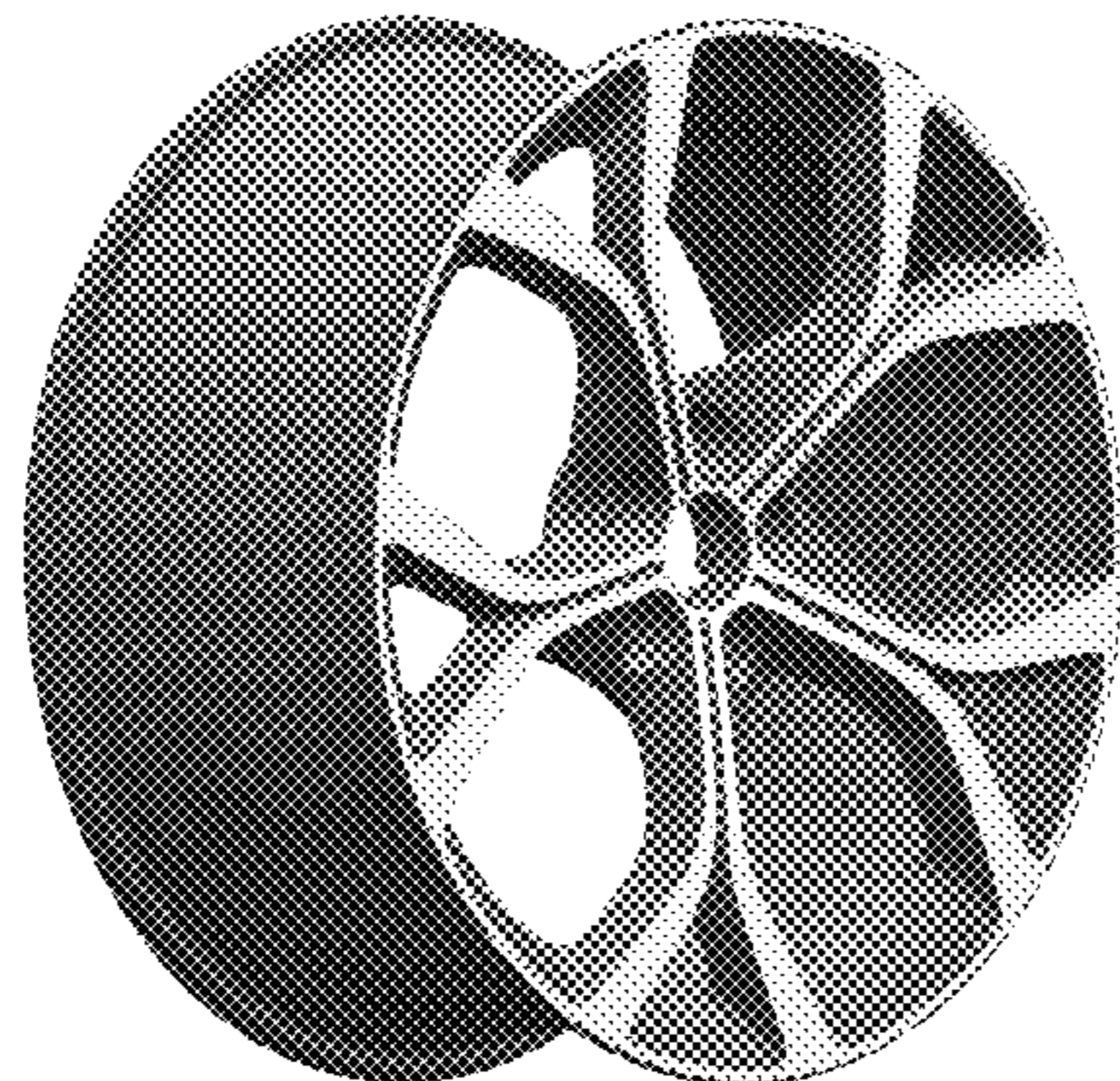
FIG. 11 is a left side view thereof, the right side view being a mirror image thereof.

FIG. 12 is a rear view thereof.

FIG. 13 is a rear right perspective view thereof; and,

FIG. 14 is a rear left perspective view thereof.

**1 Claim, 10 Drawing Sheets**



(56)

**References Cited**

## U.S. PATENT DOCUMENTS

D753,043	S	*	4/2016	Pollmann	.....	D12/209
D756,876	S	*	5/2016	Rueckheim	.....	D12/209
D757,624	S	*	5/2016	Hammoud	.....	D12/209
D760,139	S	*	6/2016	Dionisopoulos	.....	D12/209
D763,759	S	*	8/2016	Valencia Pollex	.....	D12/209
D766,153	S	*	9/2016	Wheel	.....	D12/209
D784,233	S	*	4/2017	Hejtmanek	.....	D12/209
D797,025	S	*	9/2017	Khachatryan	.....	D12/209
D797,635	S	*	9/2017	Rueckheim	.....	D12/209
D801,901	S	*	11/2017	Gardavsky	.....	D12/209
D810,646	S	*	2/2018	Heizmann	.....	D12/209
D819,535	S	*	6/2018	Austin	.....	D12/209
D820,184	S	*	6/2018	Bucher	.....	D12/209
D822,572	S	*	7/2018	Smith	.....	D12/209
D825,425	S	*	8/2018	Brundle	.....	D12/209
D827,539	S	*	9/2018	Behmer	.....	D12/209
D829,631	S	*	10/2018	Gallert	.....	D12/209
D834,486	S	*	11/2018	Patel	.....	D12/209
D840,311	S	*	2/2019	Hilton	.....	D12/209
D840,320	S	*	2/2019	Smith	.....	D12/209
D843,302	S	*	3/2019	Khachatryan	.....	D12/209

## OTHER PUBLICATIONS

“Redbourne Land Rover Wheels” [online]. Redbournwheels.com.  
[Retrieved on Mar. 12, 2018]. Retrieved from the Internet: <<http://www.redbournwheels.com/land-rover-wheels/>>.\*

\* cited by examiner



FIG. 1



FIG. 2

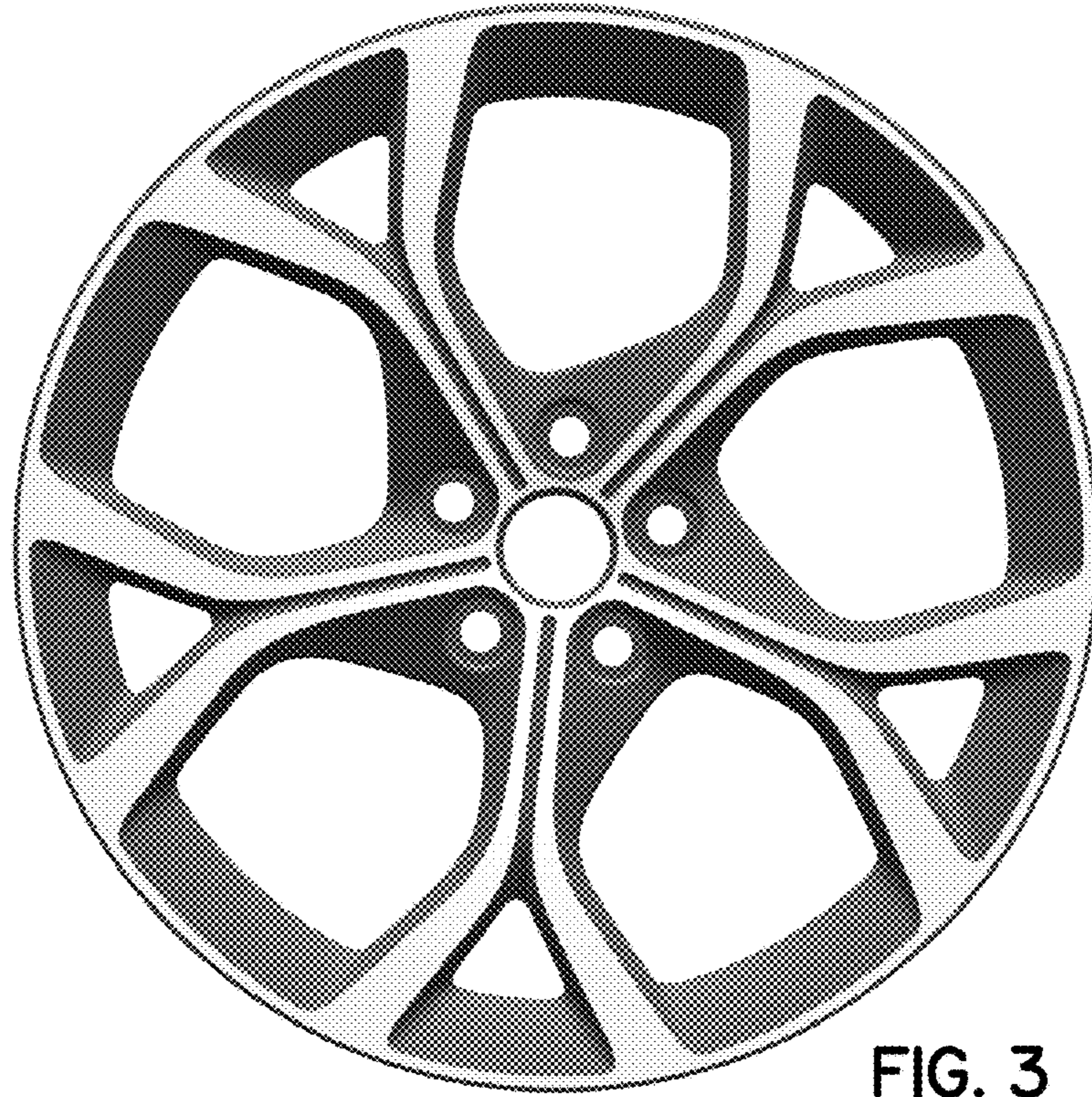


FIG. 3

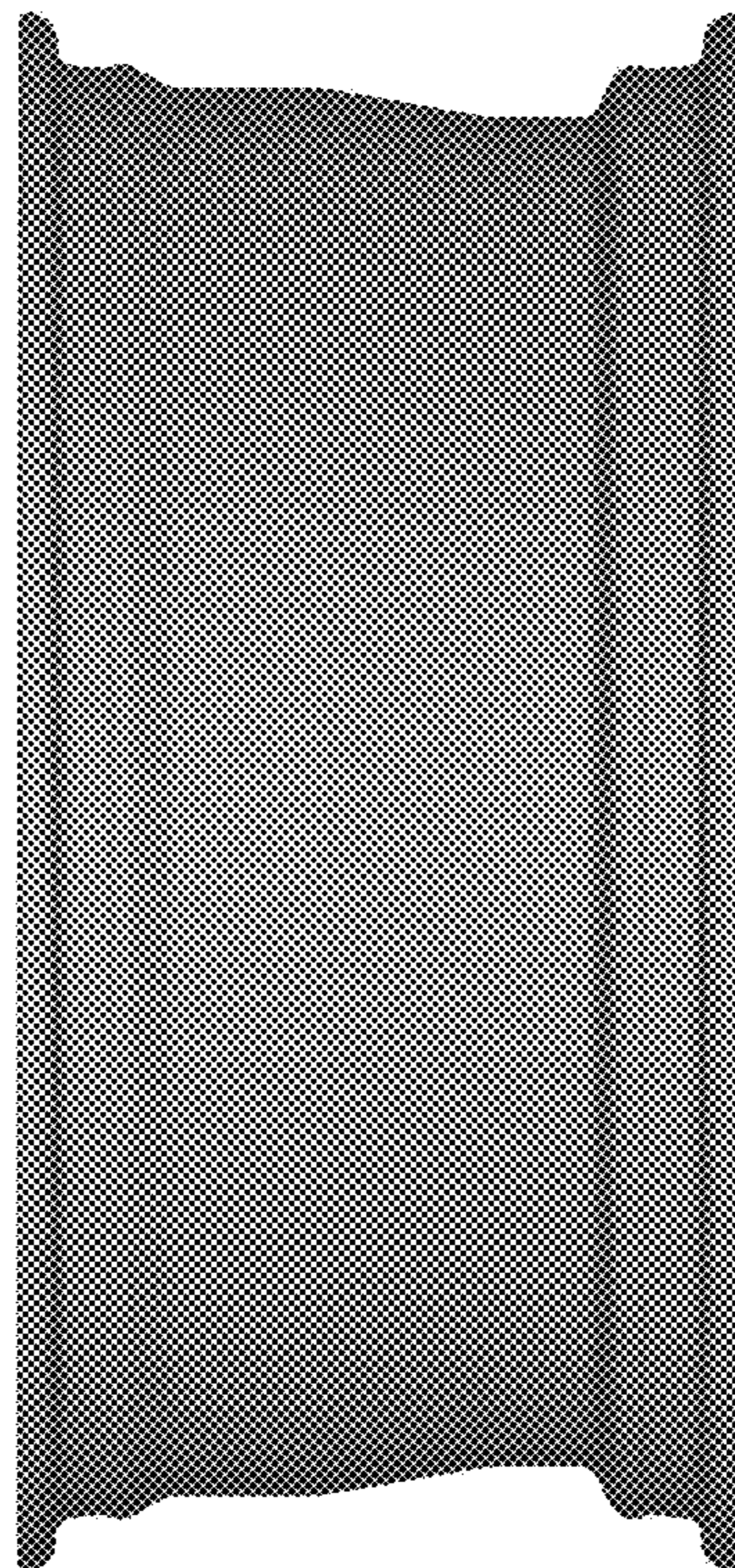


FIG. 4



FIG. 5



FIG. 6



FIG. 7



FIG. 8





FIG. 9

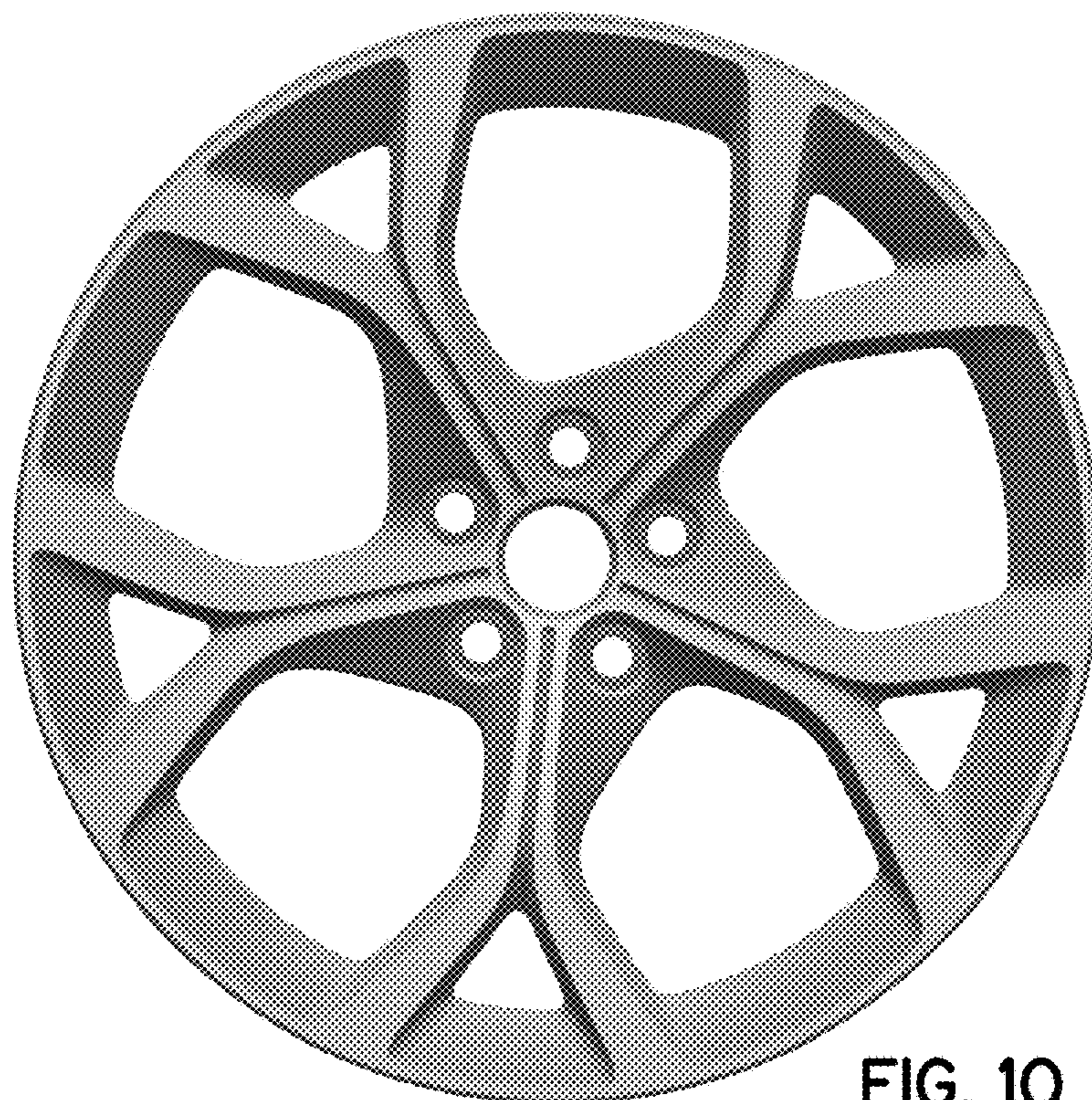


FIG. 10

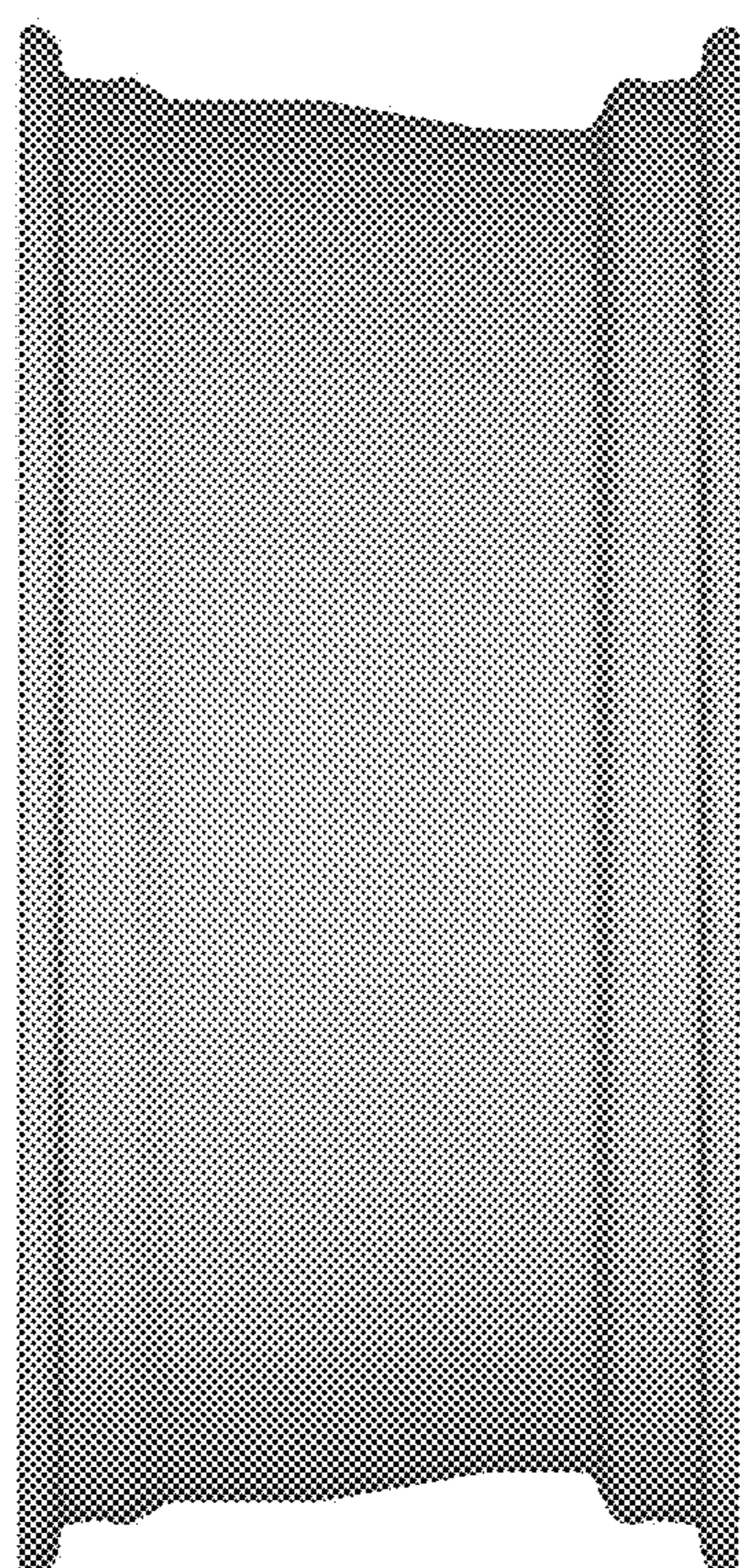


FIG. 11

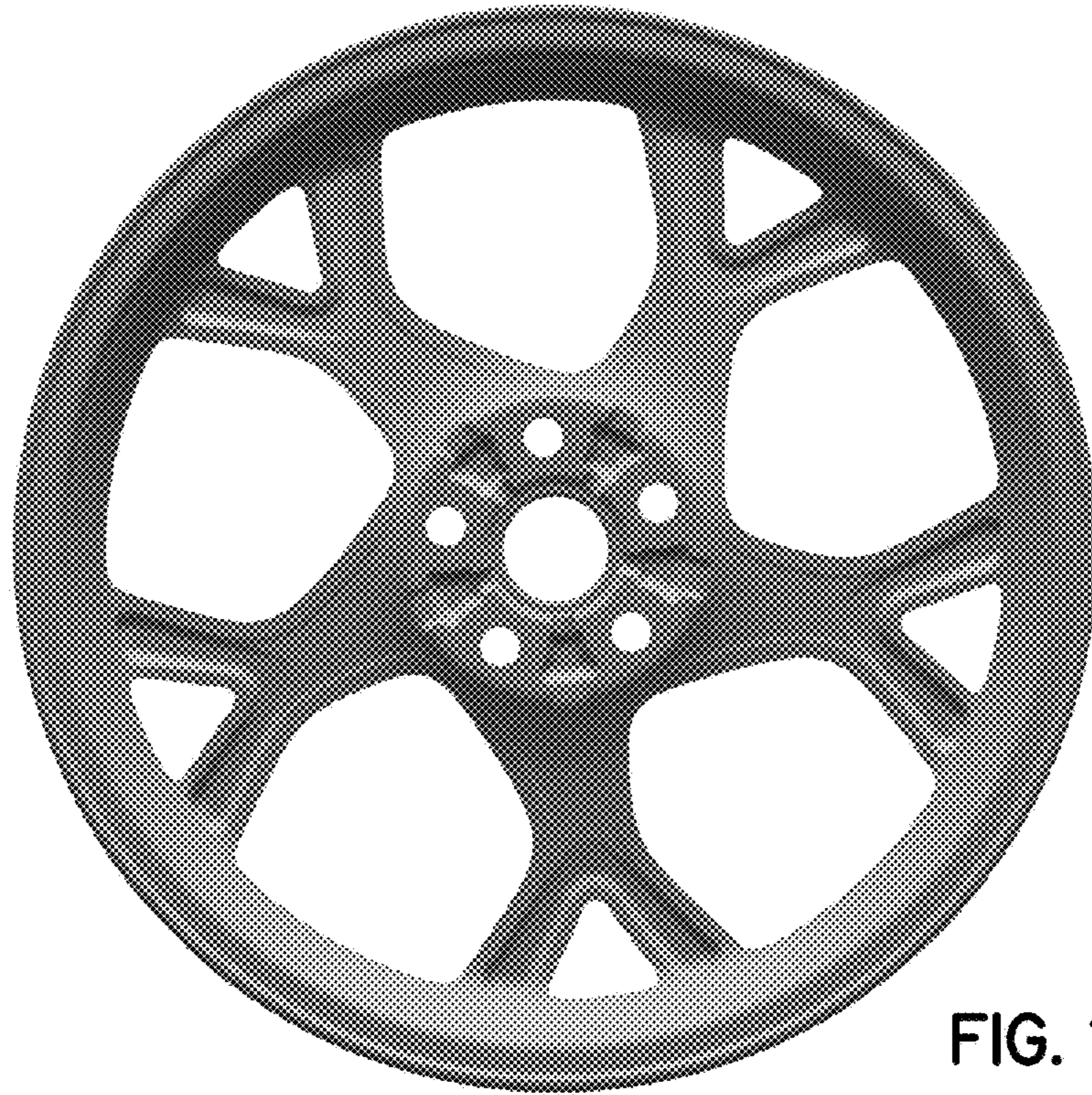


FIG. 12

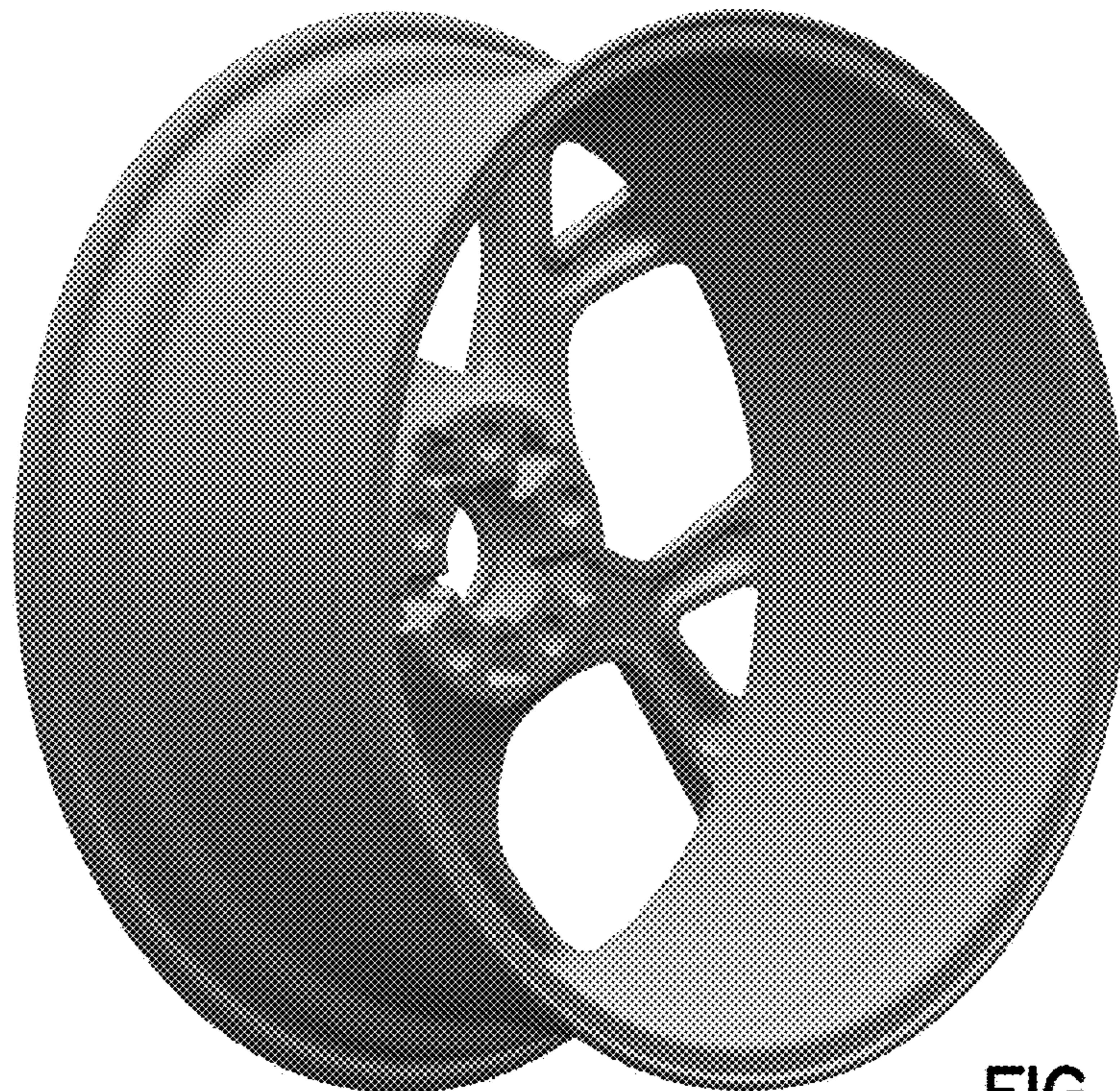


FIG. 13



FIG. 14