



US00D857590S

(12) **United States Design Patent** (10) **Patent No.:** **US D857,590 S**
Setter (45) **Date of Patent:** **** Aug. 27, 2019**

(54) **WHEEL**

(71) Applicant: **Jaguar Land Rover Limited**, Whitley, Coventry (GB)

(72) Inventor: **Adam Setter**, Coventry (GB)

(73) Assignee: **Jaguar Land Rover Limited**, Whitley, Coventry (GB)

(**) Term: **15 Years**

(21) Appl. No.: **29/655,426**

(22) Filed: **Jul. 3, 2018**

Related U.S. Application Data

(62) Division of application No. 29/604,885, filed on May 22, 2017, now Pat. No. Des. 825,424.

(30) **Foreign Application Priority Data**

Nov. 30, 2016 (EM) 003492891-0005
Nov. 30, 2016 (EM) 003492891-0006

(51) **LOC (12) Cl.** **12-16**

(52) **U.S. Cl.**
USPC **D12/209**

(58) **Field of Classification Search**
USPC D12/204, 205, 206, 207, 208, 209, 210, D12/211, 212, 213
CPC B60B 7/00; B60B 7/01; B60B 7/02; B60B 7/04; B60B 7/06; B60B 3/02; B60B 3/04; B60B 3/06; B60B 3/10; B60B 1/00; B60B 1/08; B60B 1/10; B60B 1/12
See application file for complete search history.

(56) **References Cited**

U.S. PATENT DOCUMENTS

D685,709 S * 7/2013 Hanaoka D12/209
D695,669 S * 12/2013 Pollmann D12/209

D715,209 S * 10/2014 Tovey D12/209
D725,569 S * 3/2015 Komukai D12/209
D752,496 S * 3/2016 Smith D12/209
D753,045 S * 4/2016 Kawaguchi D12/209
D754,047 S * 4/2016 Frascella D12/209
D762,543 S * 8/2016 Hara D12/209
D774,437 S * 12/2016 Nakano D12/209
D775,044 S * 12/2016 Smith D12/209
D778,798 S * 2/2017 Park D12/209
D780,083 S * 2/2017 Wheel D12/209
D788,674 S * 6/2017 Mielke D12/209
D790,421 S * 6/2017 Grewer D12/209
D790,426 S * 6/2017 Valencia Pollex D12/209
D791,046 S * 7/2017 Ishii D12/209

(Continued)

OTHER PUBLICATIONS

“Coventry Jaguar Wheels” [online]. Coventrywheels.com. [Retrieved on Mar. 12, 2018]. Retrieved from the Internet: <<http://www.coventrywheels.com/custom-jaguar-wheels/>>.*

(Continued)

Primary Examiner — Khawaja Anwar
Assistant Examiner — Mojtaba Tehrani
(74) *Attorney, Agent, or Firm* — Wood Herron & Evans LLP

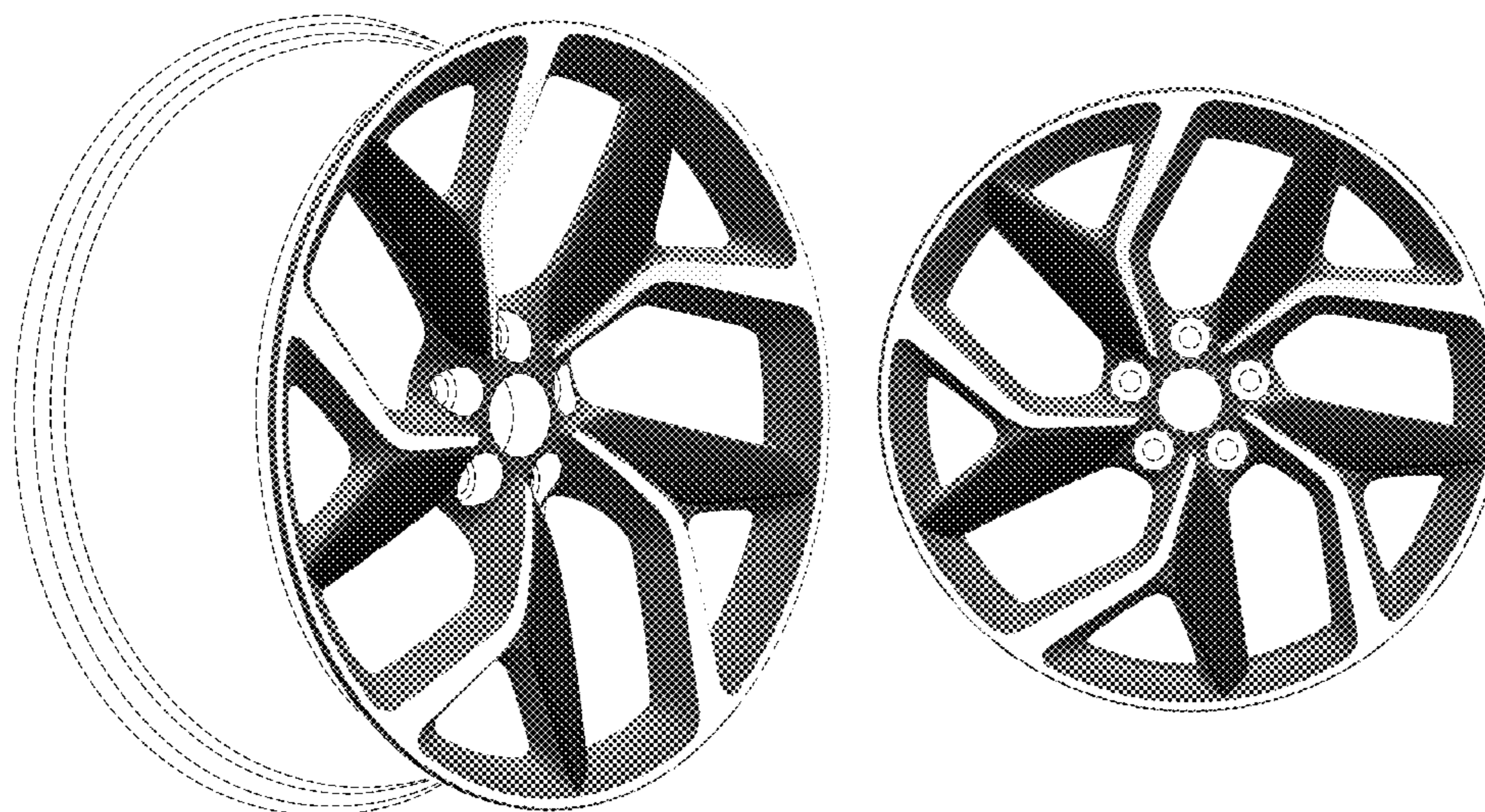
(57) **CLAIM**

The ornamental design for a wheel, as shown and described.

DESCRIPTION

FIG. 1 is a front left perspective view of a wheel, showing my new design.
FIG. 2 is a front view thereof; and,
FIG. 3 is a left side view thereof, the right side view being a mirror image thereof.
The broken line in the drawings depicts unclaimed portion of the wheel only and forms no part of the claimed design.

1 Claim, 2 Drawing Sheets



(56)

References Cited

U.S. PATENT DOCUMENTS

D798,212 S	*	9/2017	Chung	D12/209
D803,131 S	*	11/2017	Bridan	D12/209
D825,424 S	*	8/2018	Setter	D12/209
D835,561 S	*	12/2018	Hayashi	D12/209
D836,053 S	*	12/2018	Hagino	D12/209
D836,524 S	*	12/2018	Austin	D12/209
D837,714 S	*	1/2019	Beaven	D12/209
D838,651 S	*	1/2019	Kato	D12/209
D839,171 S	*	1/2019	Hodges	D12/209
D839,812 S	*	2/2019	He	D12/209

OTHER PUBLICATIONS

“Redbourne Land Rover Wheels” [online]. Redbournwheels.com.
[Retrieved on Mar. 12, 2018]. Retrieved from the Internet: <<http://www.redbournwheels.com/land-rover-wheels/>>.*

* cited by examiner

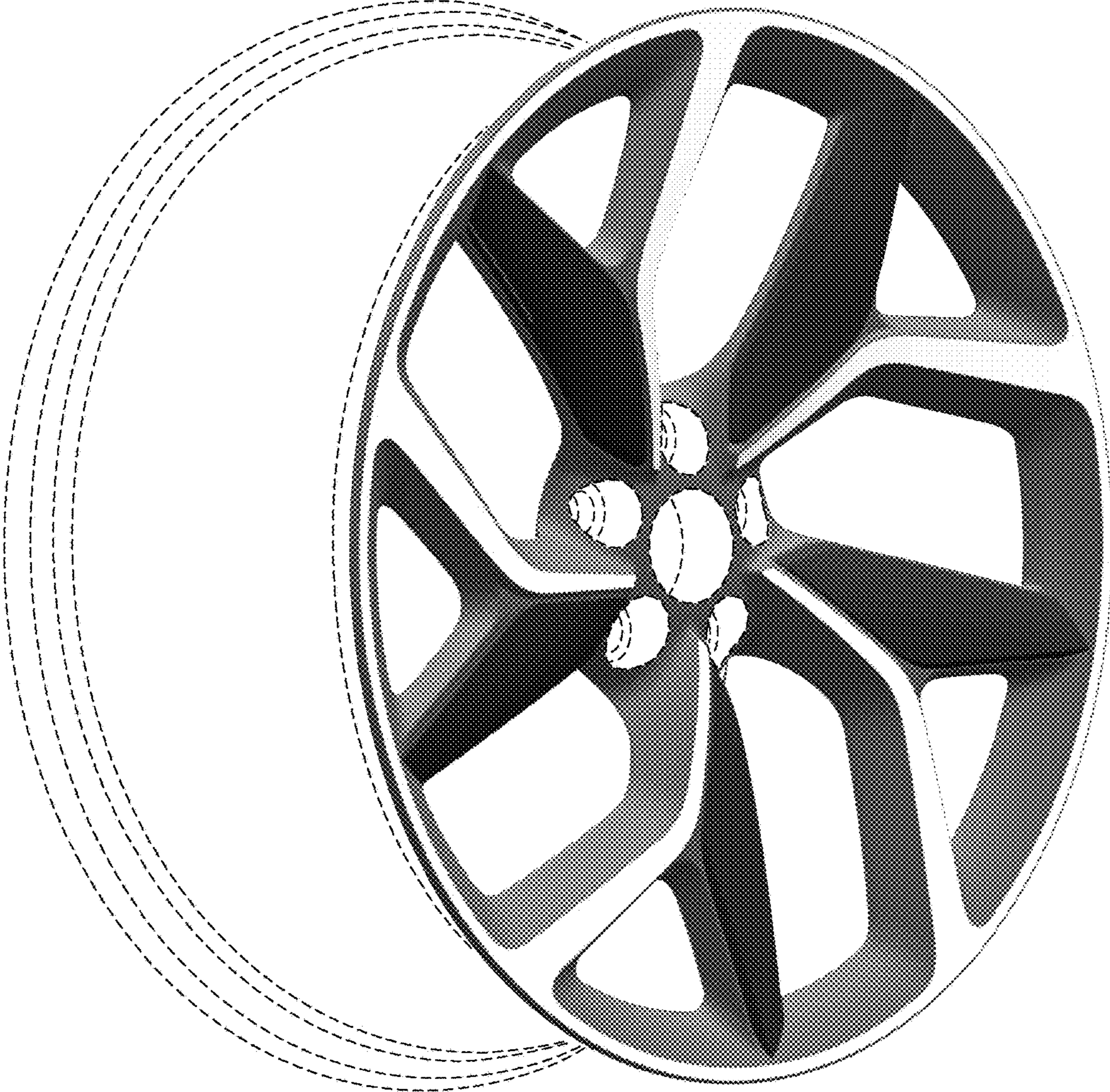


FIG. 1



FIG. 2

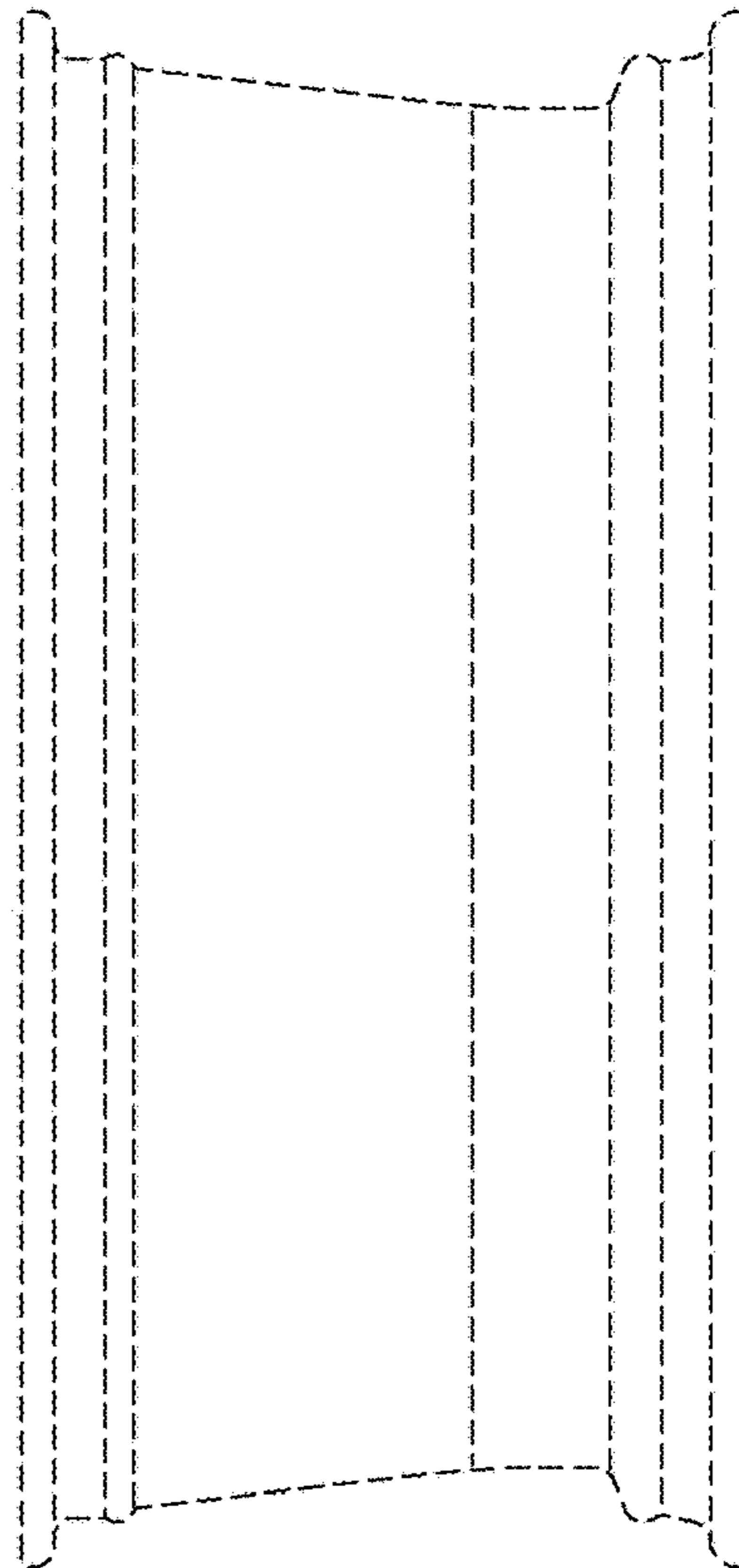


FIG. 3