



US00D857589S

(12) **United States Design Patent**
Valencia Pollex

(10) **Patent No.:** **US D857,589 S**

(45) **Date of Patent:** **** Aug. 27, 2019**

(54) **VEHICLE WHEEL RIM**

(71) Applicant: **AUDI AG**, Ingolstadt (DE)

(72) Inventor: **Andreas Valencia Pollex**, Ingolstadt (DE)

(73) Assignee: **AUDI AG**, Ingolstadt (DE)

(**) Term: **15 Years**

(21) Appl. No.: **29/655,110**

(22) Filed: **Jun. 29, 2018**

(30) **Foreign Application Priority Data**

Feb. 16, 2018 (EM) 004 710 804

(51) **LOC (12) Cl.** **12-16**

(52) **U.S. Cl.**

USPC **D12/209**

(58) **Field of Classification Search**

USPC D12/204–213

CPC B60B 7/00; B60B 7/02; B60B 7/04; B60B 7/01; B60B 7/06; B60B 3/02; B60B 3/04; B60B 3/06; B60B 3/10; B60B 1/00; B60B 1/08; B60B 1/10; B60B 1/12

See application file for complete search history.

(56) **References Cited**

U.S. PATENT DOCUMENTS

D695,198 S * 12/2013 Juergens D12/211
D720,274 S * 12/2014 Mielke D12/211

D736,131 S * 8/2015 Mahoney D12/209
D746,211 S * 12/2015 Carter D12/211
D763,165 S * 8/2016 Hans D12/211
D788,011 S * 5/2017 Mielke D12/211
D790,429 S * 6/2017 Juergens D12/211
D791,048 S * 7/2017 Valencia Pollex D12/211
D792,311 S * 7/2017 Gallert D12/211
D794,531 S * 8/2017 Zhao D12/211
D798,788 S * 10/2017 Valencia Pollex D12/211
D822,576 S * 7/2018 Austin D12/211
D826,127 S * 8/2018 Juergens D12/209
D837,719 S * 1/2019 Kraljevic D12/211
D844,532 S * 4/2019 Austin D12/211
D845,202 S * 4/2019 Battams D12/209

* cited by examiner

Primary Examiner — Stacia A Cadmus

(74) *Attorney, Agent, or Firm* — Lucas & Mercanti, LLP; Klaus P. Stoffel

(57) **CLAIM**

The ornamental design for a vehicle wheel rim, as shown and described.

DESCRIPTION

FIG. 1 is a front view of the vehicle wheel rim of the present invention; and, FIG. 2 is a front, side perspective view thereof.

1 Claim, 2 Drawing Sheets

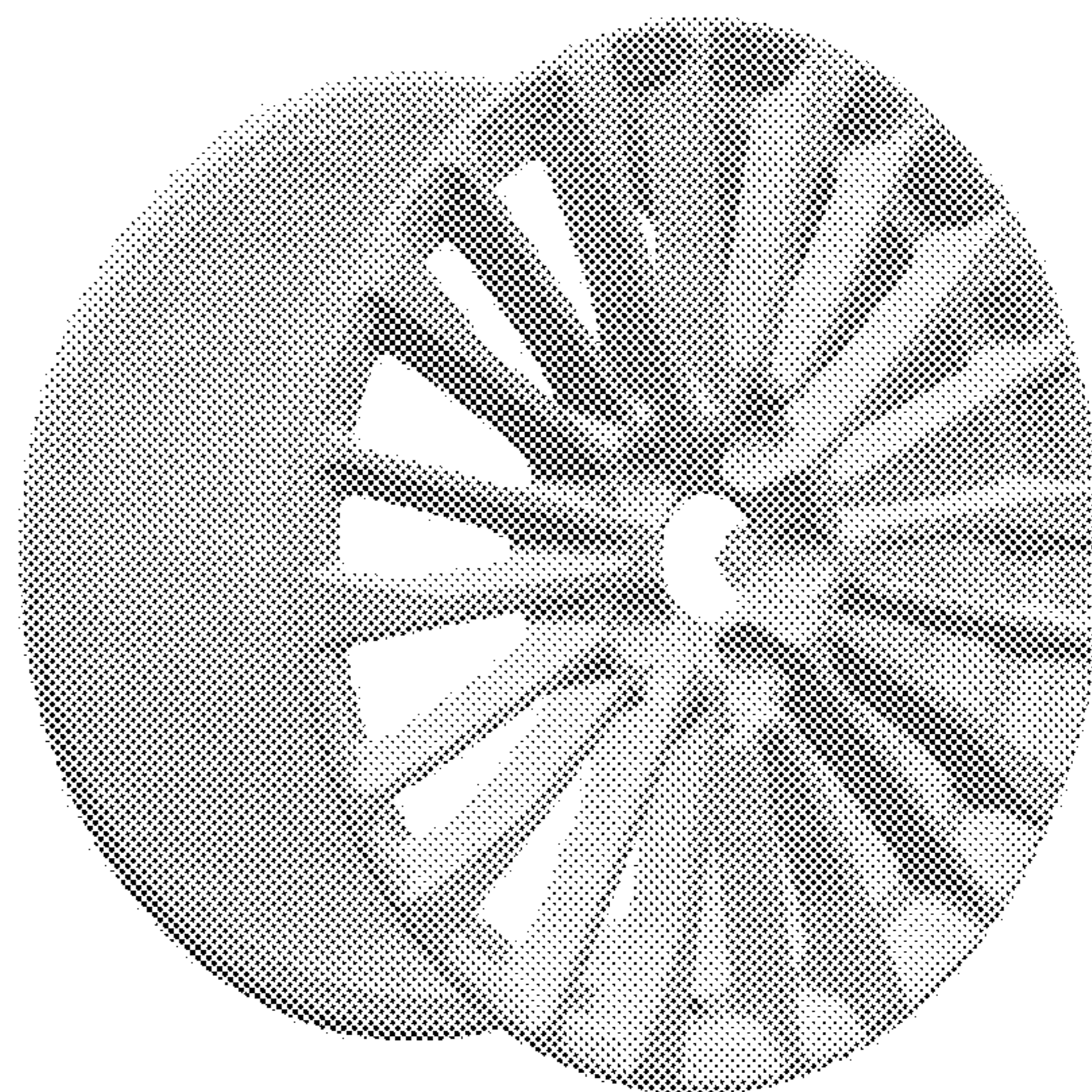
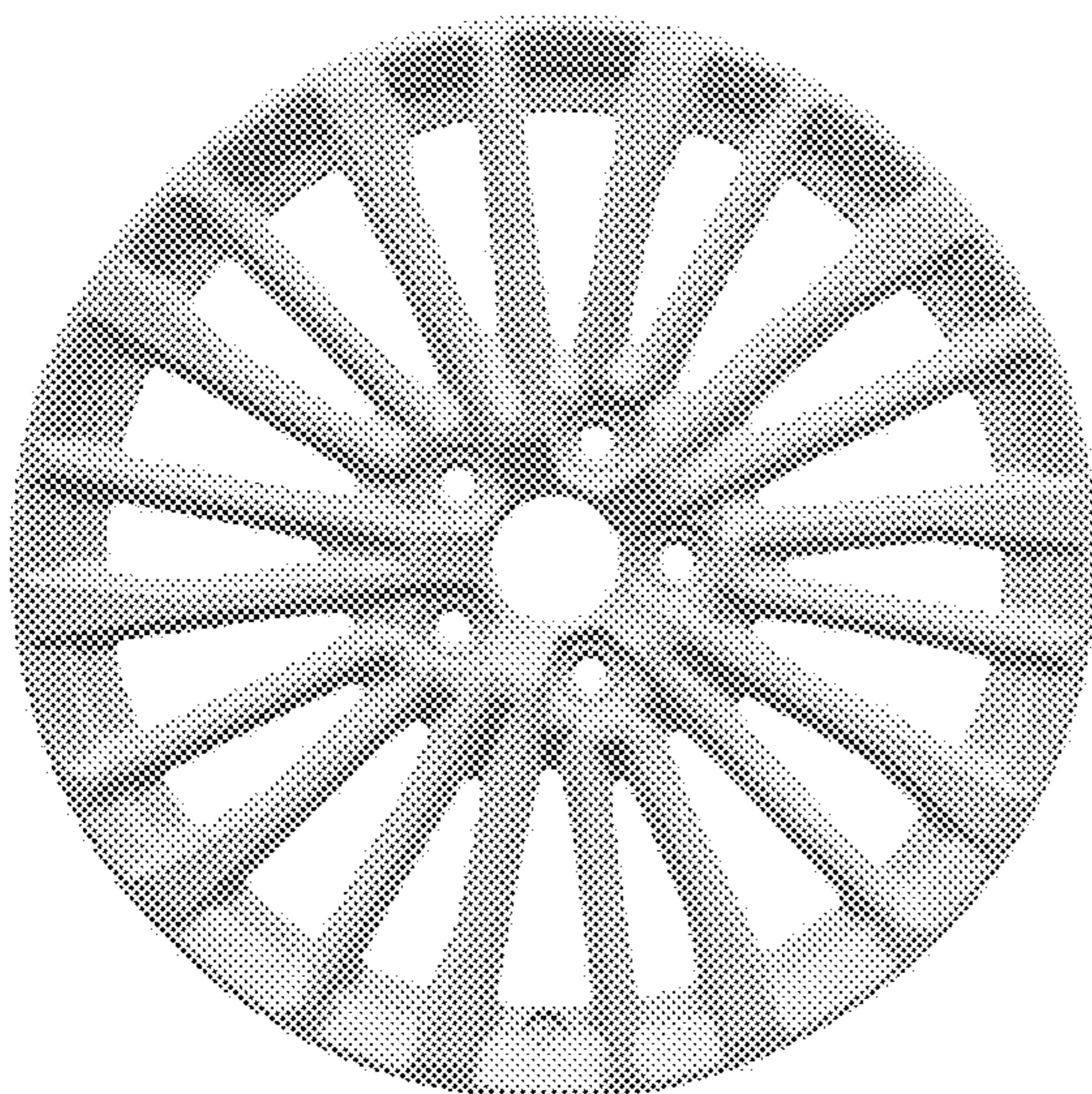




Fig. 1

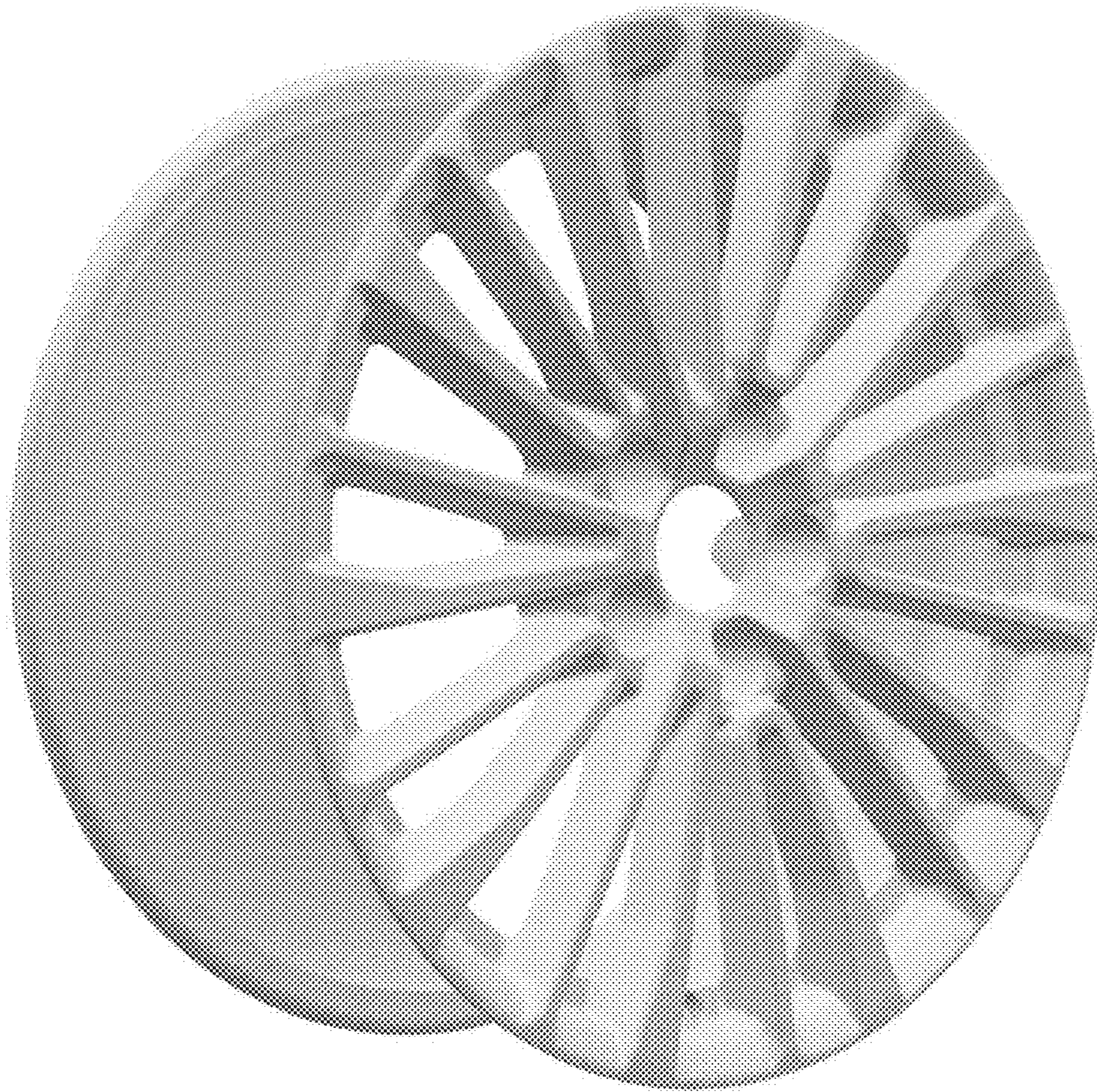


Fig. 2