



US00D857584S

(12) **United States Design Patent**  
**Chan**

(10) **Patent No.:** **US D857,584 S**

(45) **Date of Patent:** **\*\* Aug. 27, 2019**

(54) **WHEEL**

(71) Applicant: **Jaguar Land Rover Limited**, Whitley,  
Coventry (GB)

(72) Inventor: **Alex Chan**, Coventry (GB)

(73) Assignee: **Jaguar Land Rover Limited**, Whitley,  
Coventry (GB)

(\*\*) Term: **15 Years**

(21) Appl. No.: **29/629,429**

(22) Filed: **Dec. 13, 2017**

(30) **Foreign Application Priority Data**

Jun. 15, 2017 (EM) ..... 004048916

(51) **LOC (12) Cl.** ..... **12-16**

(52) **U.S. Cl.**  
USPC ..... **D12/209**

(58) **Field of Classification Search**  
USPC ..... D12/204–213  
CPC .... B60B 7/00; B60B 7/02; B60B 7/04; B60B  
7/01; B60B 7/06; B60B 3/04; B60B 1/00;  
B60B 3/10; B60B 1/10; B60B 1/08;  
B60B 3/06; B60B 1/12; B60B 3/02

See application file for complete search history.

(56) **References Cited**

**U.S. PATENT DOCUMENTS**

D391,913 S \* 3/1998 Chung ..... D12/209  
D409,967 S \* 5/1999 Chung ..... D12/209

D432,069 S \* 10/2000 Chung ..... D12/209  
D444,439 S \* 7/2001 Cullen ..... D12/211  
D457,477 S \* 5/2002 Chung ..... D12/209  
D494,124 S \* 8/2004 Aiello ..... D12/211  
D503,915 S \* 4/2005 Markefka ..... D12/209  
D525,927 S \* 8/2006 Pfeiffer ..... D12/209  
D527,329 S \* 8/2006 Pfeiffer ..... D12/211  
D528,954 S \* 9/2006 Laengerer ..... D12/209  
D535,933 S \* 1/2007 Markefka ..... D12/209  
D549,633 S \* 8/2007 Sycha ..... D12/209  
D593,921 S \* 6/2009 Miyazawa ..... D12/211  
D677,208 S \* 3/2013 Gotschke ..... D12/209  
D713,312 S \* 9/2014 Villarruel ..... D12/209  
D747,250 S \* 1/2016 Bildhaeuser ..... D12/209  
D772,131 S \* 11/2016 Wheel ..... D12/209  
D777,638 S \* 1/2017 Peat ..... D12/209  
D783,493 S \* 4/2017 Hubers ..... D12/209

\* cited by examiner

*Primary Examiner* — Stacia A Cadmus

(74) *Attorney, Agent, or Firm* — Wood Herron & Evans  
LLP

(57) **CLAIM**

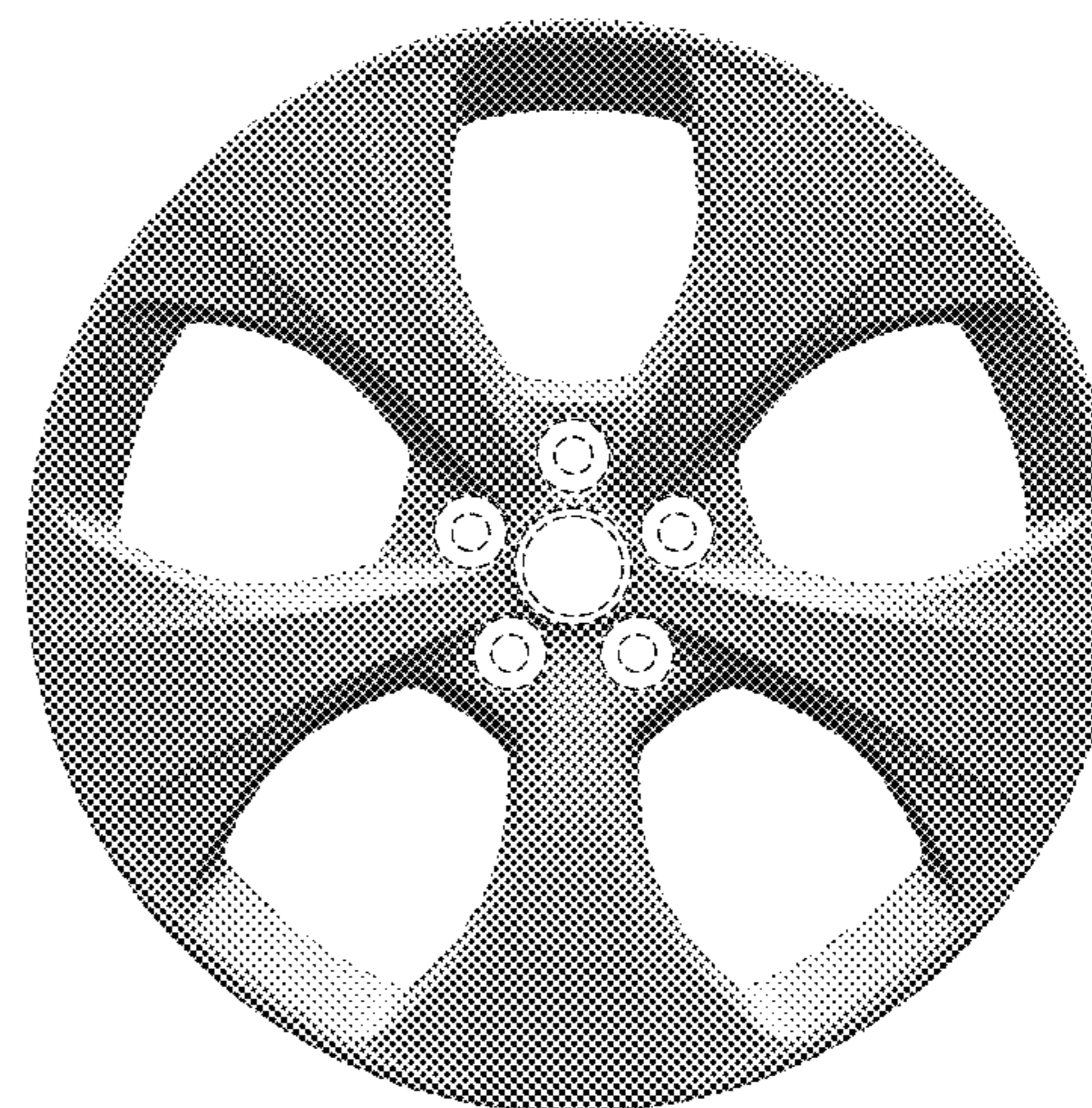
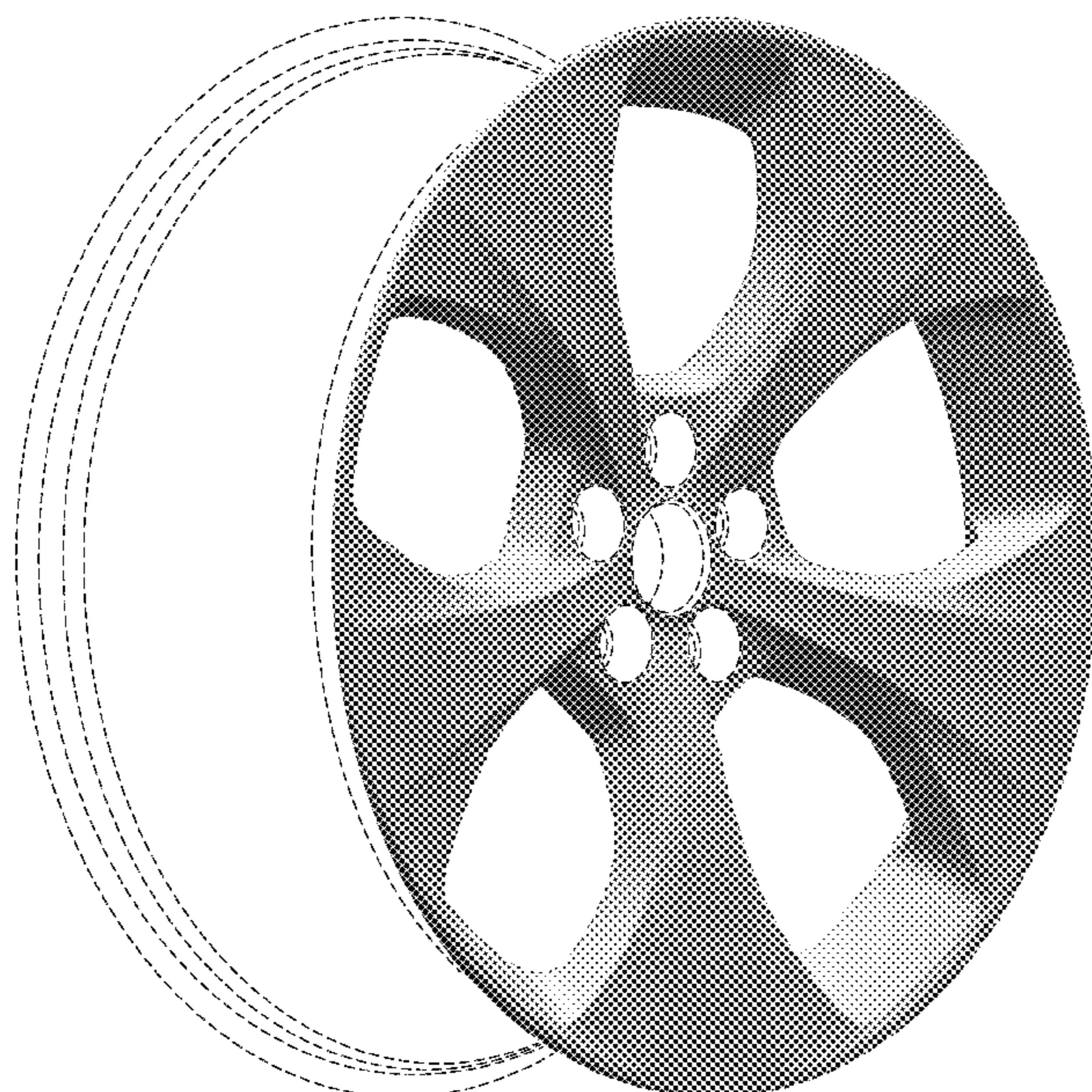
The ornamental design for a wheel, as shown and described.

**DESCRIPTION**

FIG. 1 is a front left perspective view of a wheel for a vehicle according to the present invention.

FIG. 2 is a front view of the wheel shown in FIG. 1; and, FIG. 3 is a left side view thereof, the right side being a mirror image thereof.

**1 Claim, 2 Drawing Sheets**





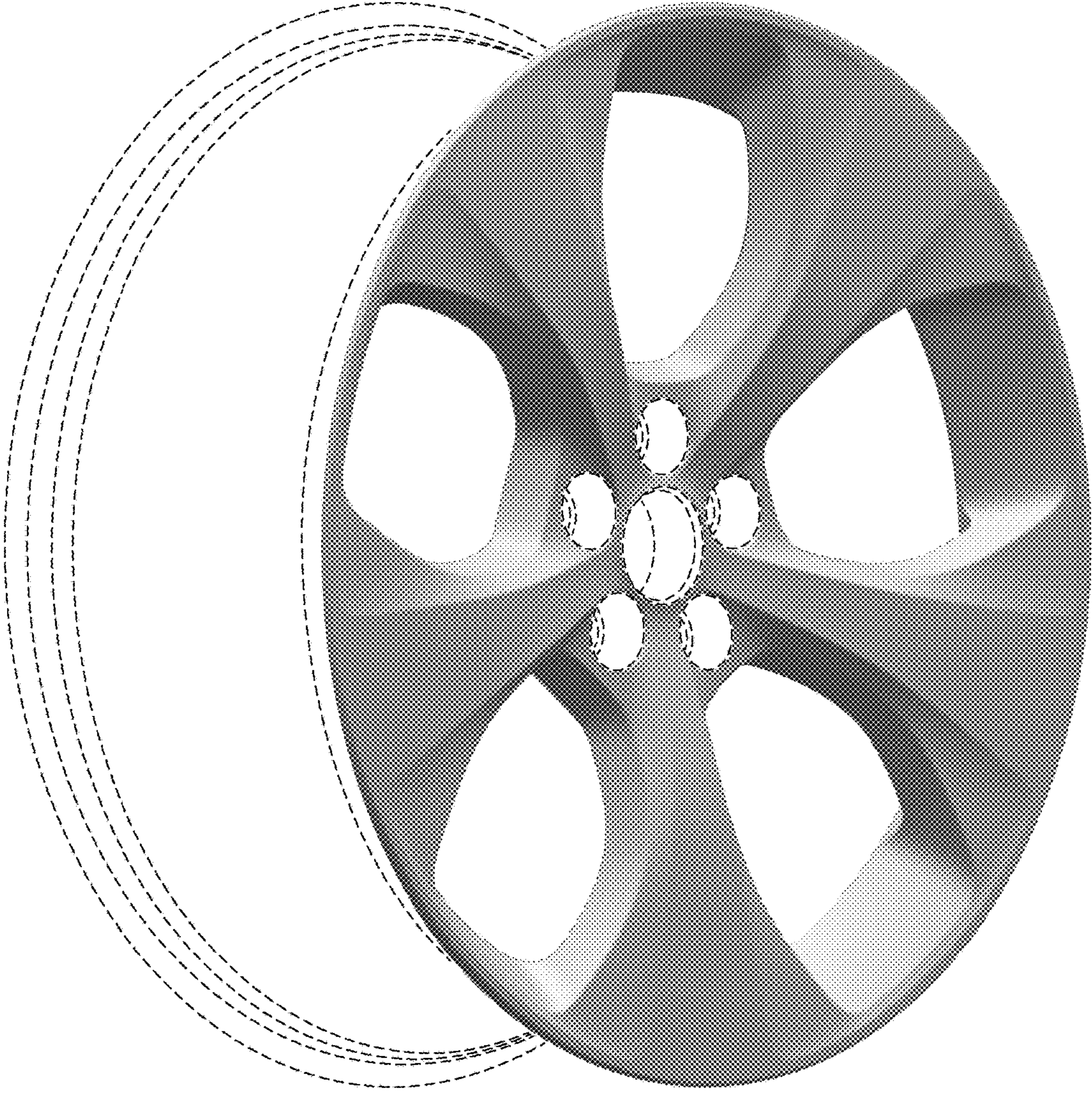
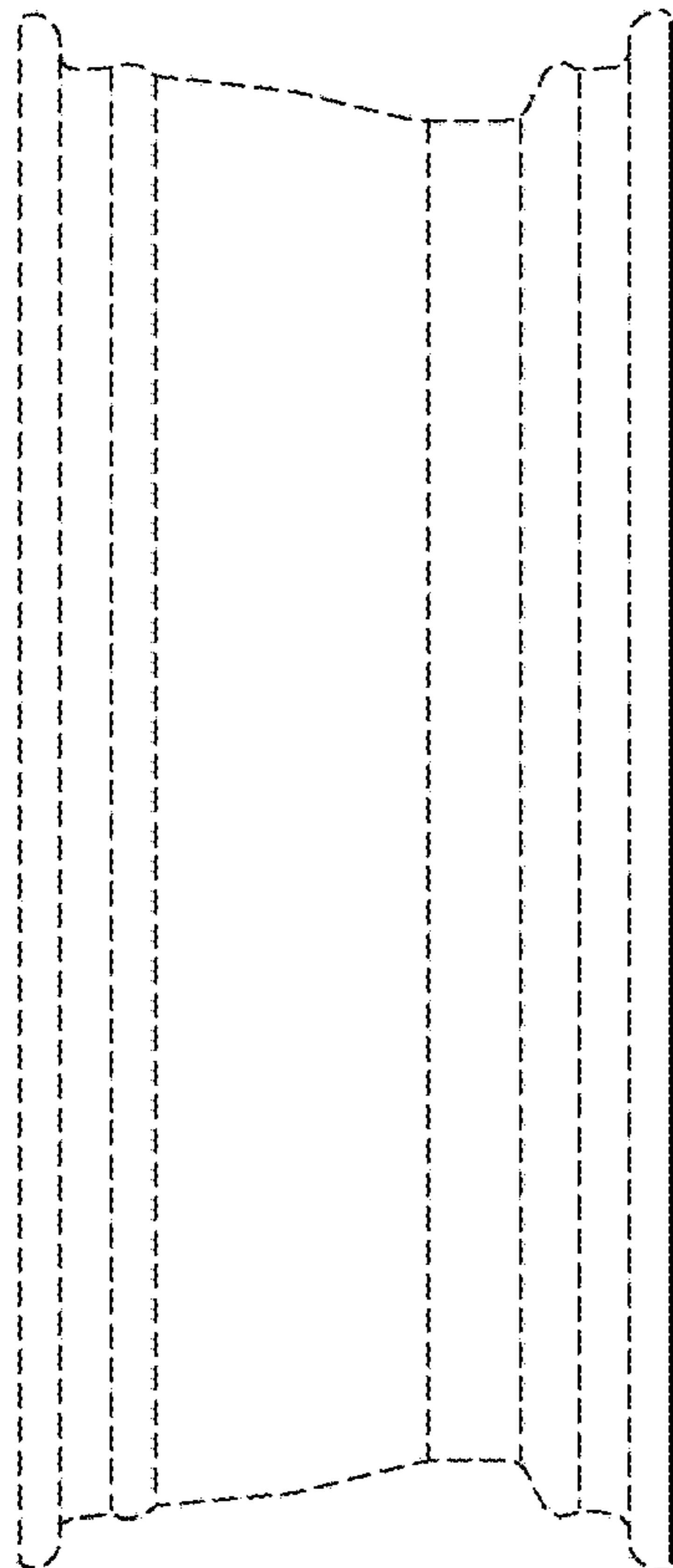
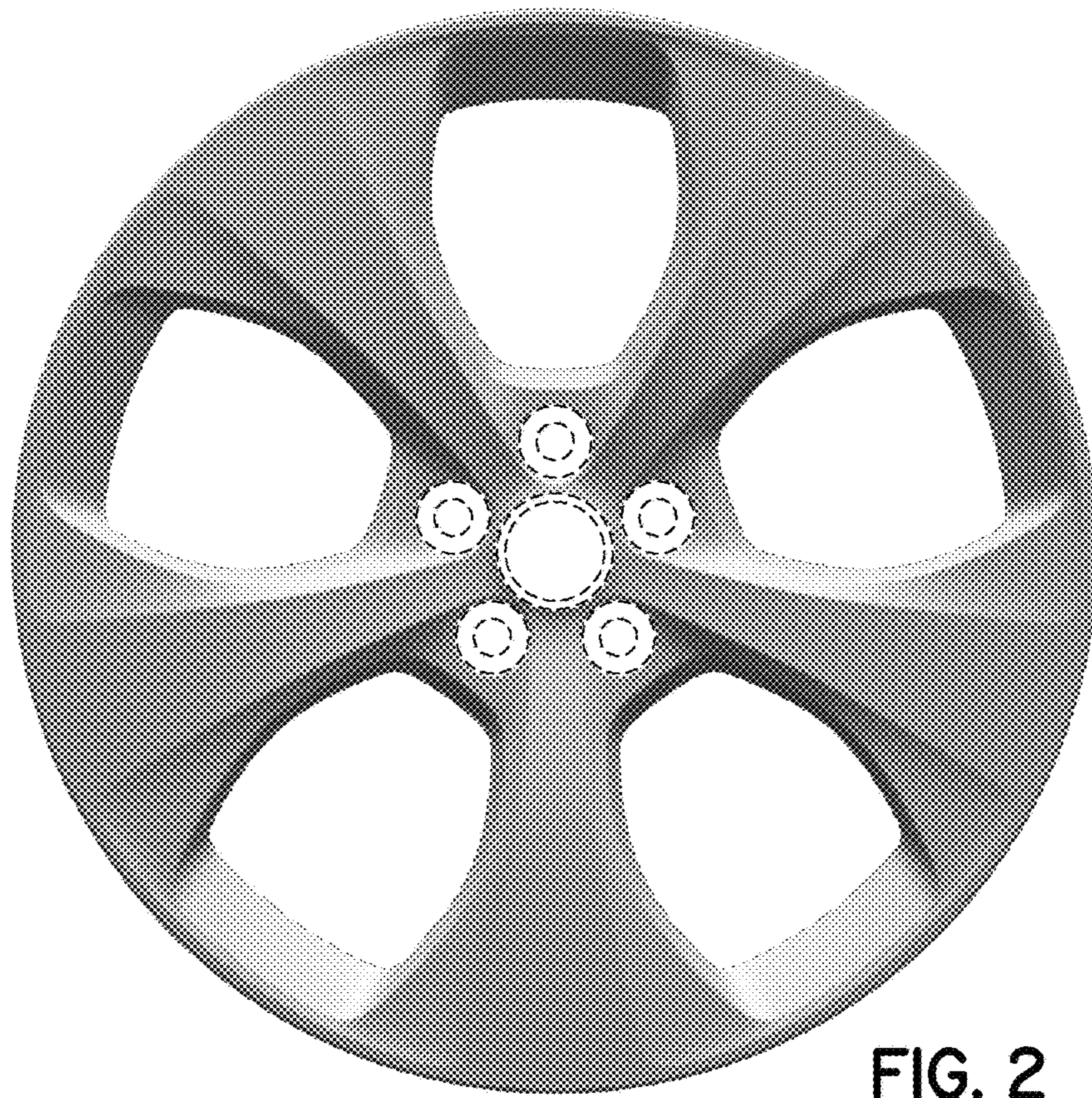


FIG. 1





UNITED STATES PATENT AND TRADEMARK OFFICE  
**CERTIFICATE OF CORRECTION**

PATENT NO. : D857,584 S  
APPLICATION NO. : 29/629429  
DATED : August 27, 2019  
INVENTOR(S) : Alex Chan

Page 1 of 1

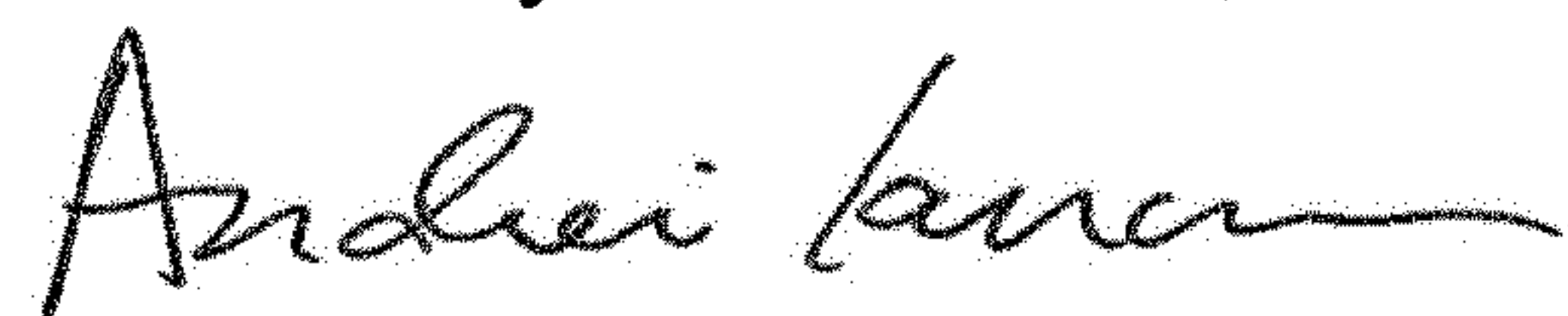
It is certified that error appears in the above-identified patent and that said Letters Patent is hereby corrected as shown below:

On the Title Page

Item (57), Column 2, Under "Description"

Insert a paragraph after Line 5, --The broken lines show environmental structure and form no part of the claimed invention.--.

Signed and Sealed this  
Third Day of December, 2019



Andrei Iancu  
*Director of the United States Patent and Trademark Office*