



US00D857583S

(12) **United States Design Patent**
Harriton et al.

(10) **Patent No.:** **US D857,583 S**

(45) **Date of Patent:** **** Aug. 27, 2019**

(54) **WHEEL**

(71) Applicant: **StreetCar ORV LLC**, Wixom, MI
(US)

(72) Inventors: **David Harriton**, Missoula, MT (US);
Mark Stouffer, Oakland Township, MI
(US)

(73) Assignee: **STREETCAR ORV LLC**, Wixom, MI
(US)

(**) Term: **15 Years**

(21) Appl. No.: **29/624,146**

(22) Filed: **Oct. 30, 2017**

(51) **LOC (12) Cl.** **12-16**

(52) **U.S. Cl.**
USPC **D12/209**

(58) **Field of Classification Search**
USPC D12/204–213
CPC B60B 7/00; B60B 7/02; B60B 7/04; B60B
7/01; B60B 7/06; B60B 3/02; B60B 3/04;
B60B 3/06; B60B 3/10; B60B 1/00;
B60B 1/08; B60B 1/10; B60B 1/12
See application file for complete search history.

(56) **References Cited**

U.S. PATENT DOCUMENTS

D673,100 S	*	12/2012	Mueller-Stolz	D12/211
D711,304 S	*	8/2014	Chung	D12/209
D712,330 S	*	9/2014	Chung	D12/209
D714,706 S	*	10/2014	Chung	D12/211
D738,279 S	*	9/2015	Dionisopoulos	D12/209
D755,693 S	*	5/2016	Lee	D12/209
D760,140 S	*	6/2016	Chung	D12/209
D761,178 S	*	7/2016	Johnson	D12/209
D781,197 S	*	3/2017	Ninov	D12/209
D781,198 S	*	3/2017	Owens	D12/209
D789,861 S	*	6/2017	Macey	D12/209

D803,135 S	*	11/2017	Bucher	D12/209
D824,317 S	*	7/2018	Harriton	D12/211
D827,540 S	*	9/2018	Hilton	D12/209
D830,266 S	*	10/2018	Lickliter	D12/209

* cited by examiner

Primary Examiner — Stacia A Cadmus

(74) *Attorney, Agent, or Firm* — Quinn IP Law

(57) **CLAIM**

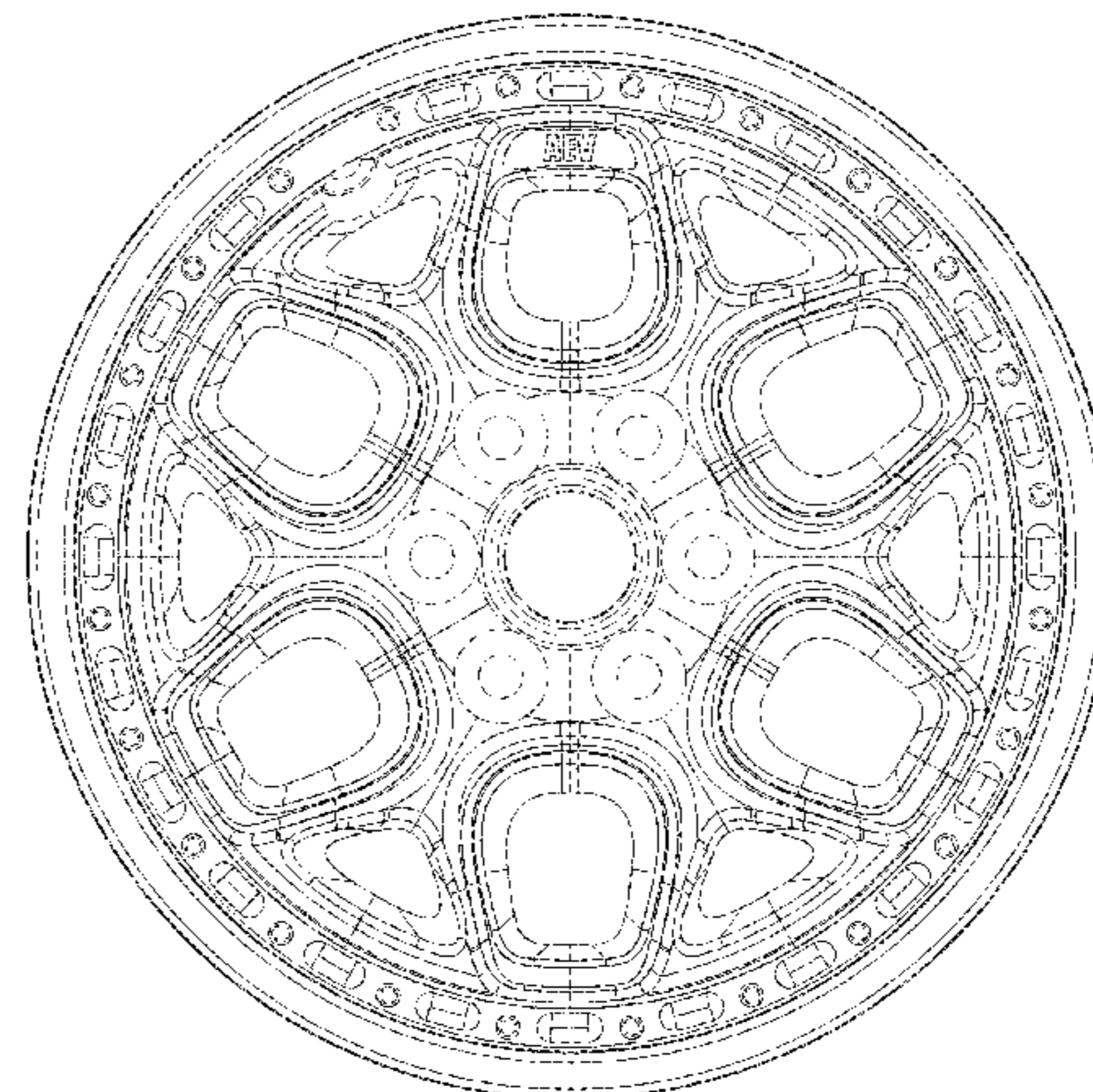
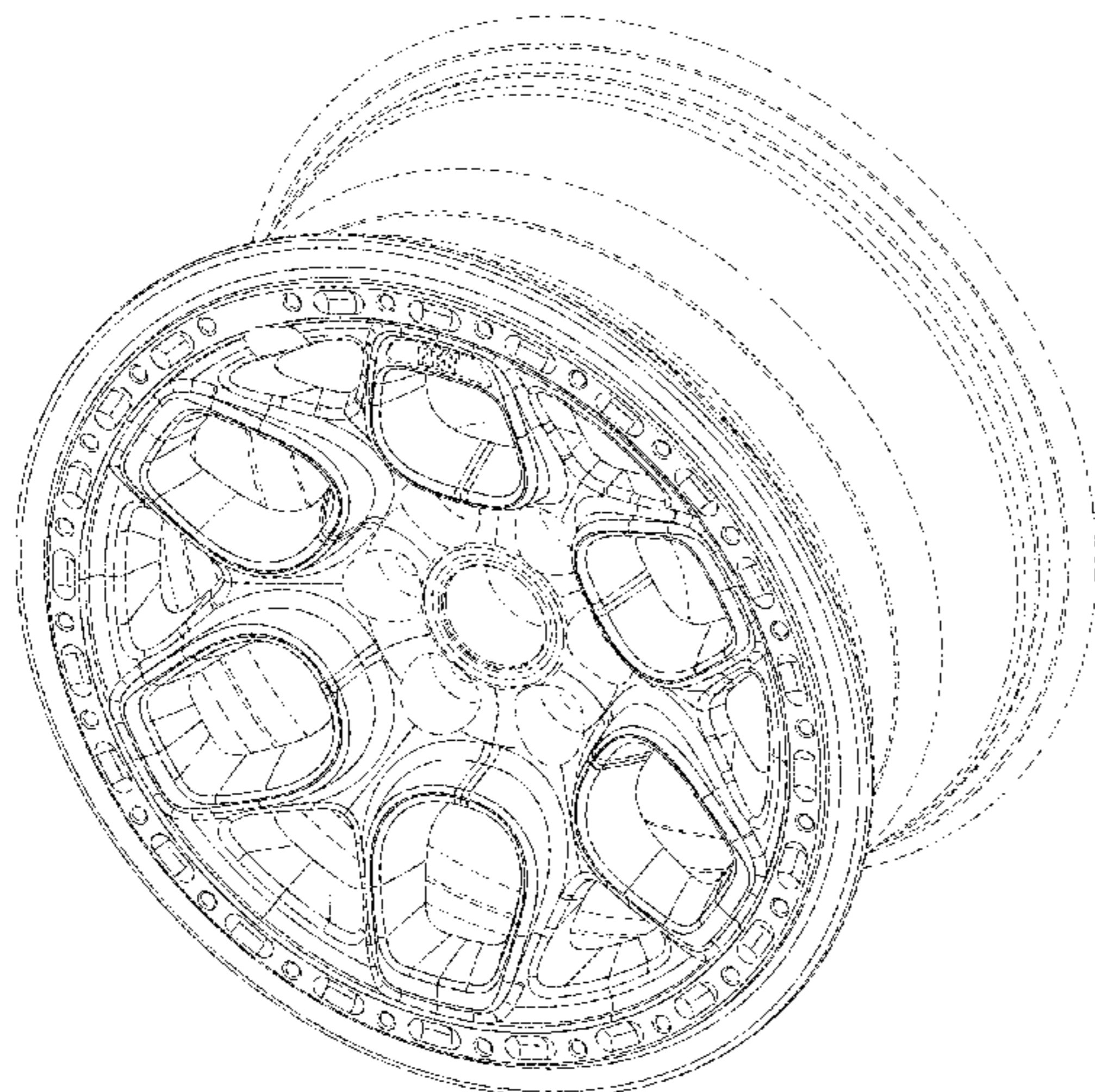
We claim the ornamental design for a wheel, as shown and described.

DESCRIPTION

FIG. 1 is a front perspective view of a wheel showing our new design according to a first embodiment, FIG. 2 is a front elevation view of the embodiment of FIG. 1, FIG. 3 is a side elevation view of the embodiment of FIG. 1, FIG. 4 is a rear elevation view of the embodiment of FIG. 1, FIG. 5 is an enlarged partial perspective view of the embodiment of FIG. 1, FIG. 6 is a front perspective view of a wheel showing our new design according to a second embodiment, FIG. 7 is a front elevation view of the embodiment of FIG. 6, FIG. 8 is a side elevation view of the embodiment of FIG. 6, FIG. 9 is a rear elevation view of the embodiment of FIG. 6; and, FIG. 10 is an enlarged partial perspective view of the embodiment of FIG. 6.

All broken lines illustrate portions of the wheel to which the design is applied that form no part of the claim. Stipple shading has been provided to illustrate surface contours and does not indicate texture. The drawings include cad lines which represent contour, not surface ornamentation.

1 Claim, 10 Drawing Sheets



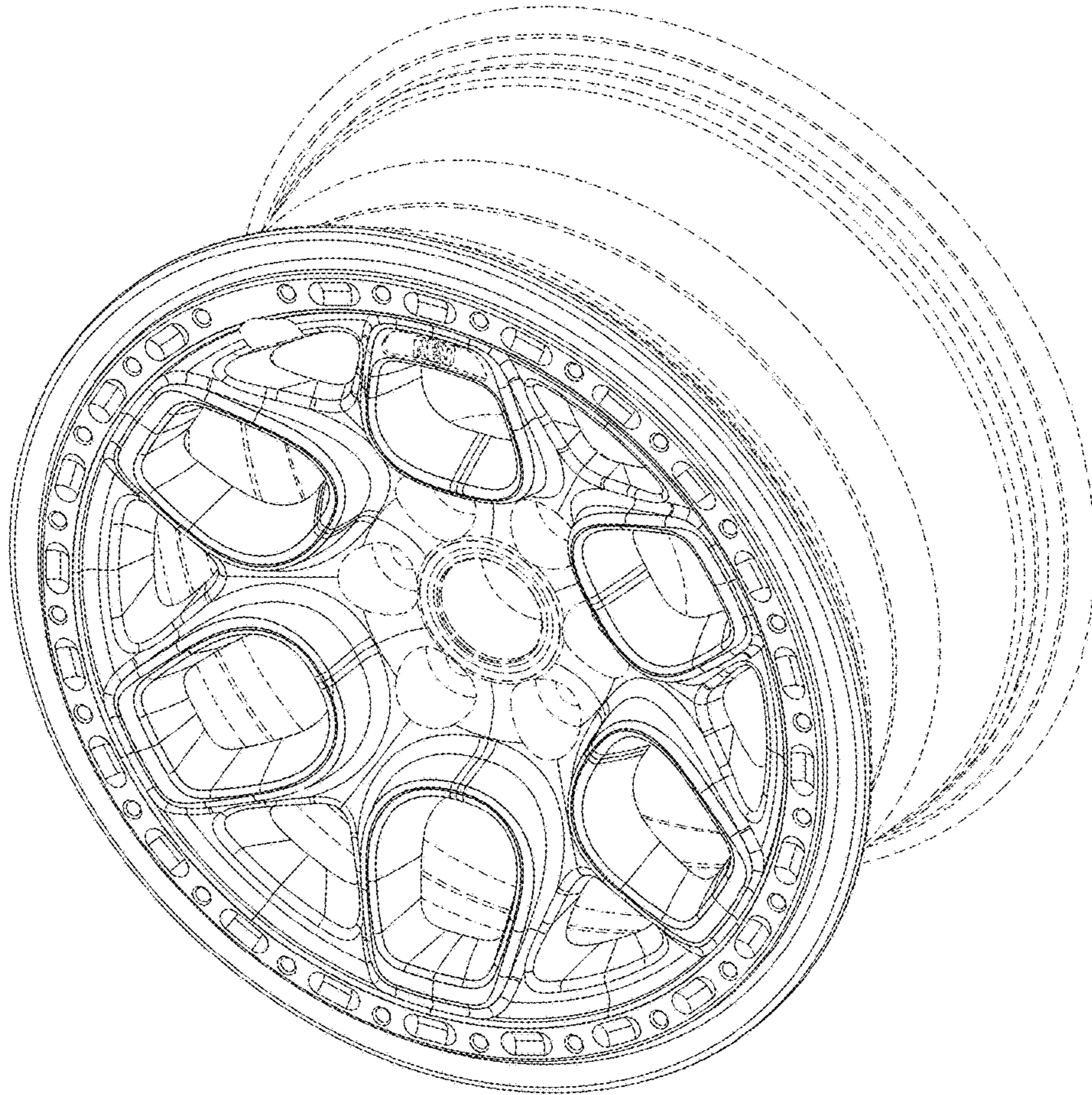


FIG. 1

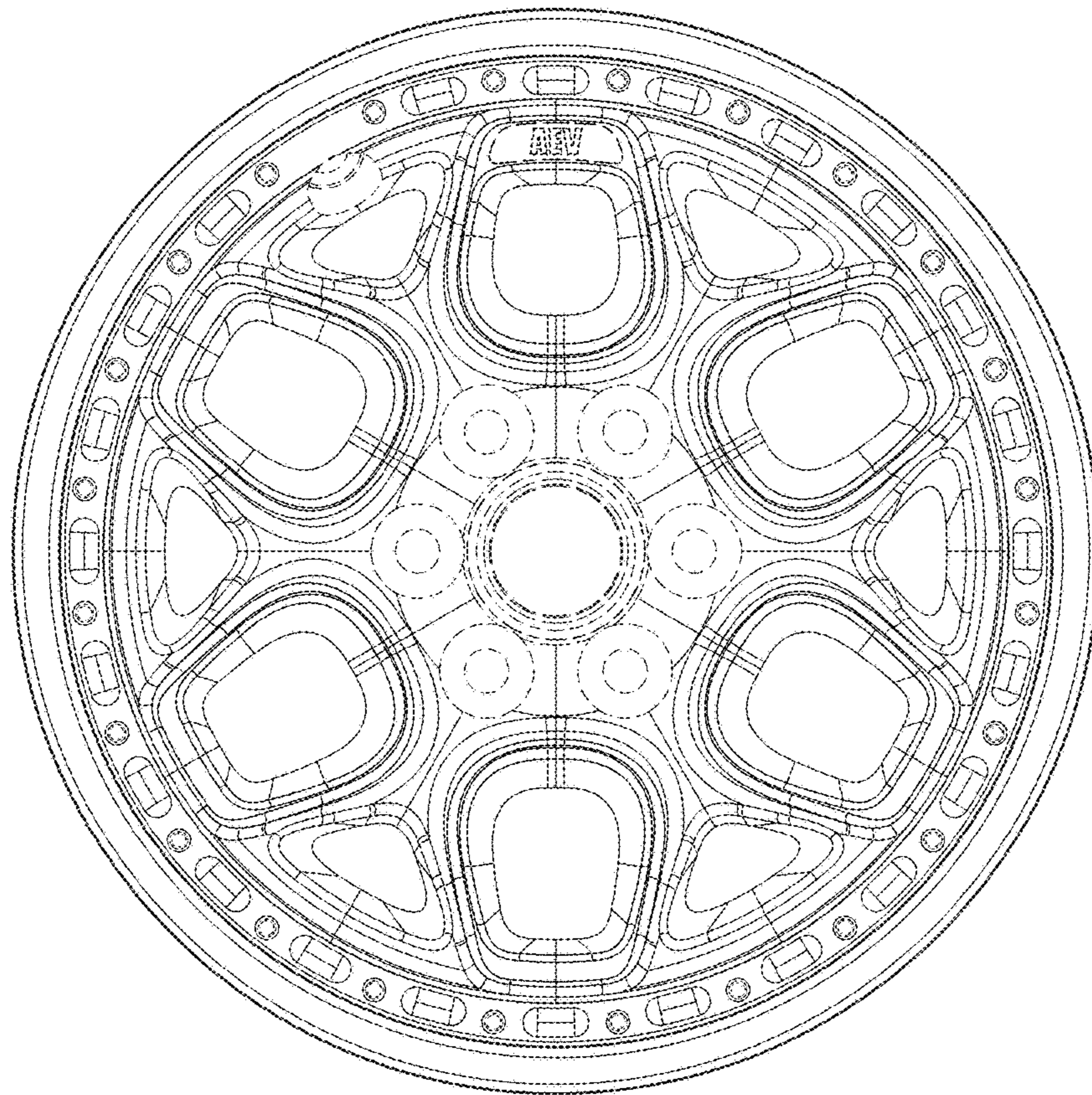


FIG. 2

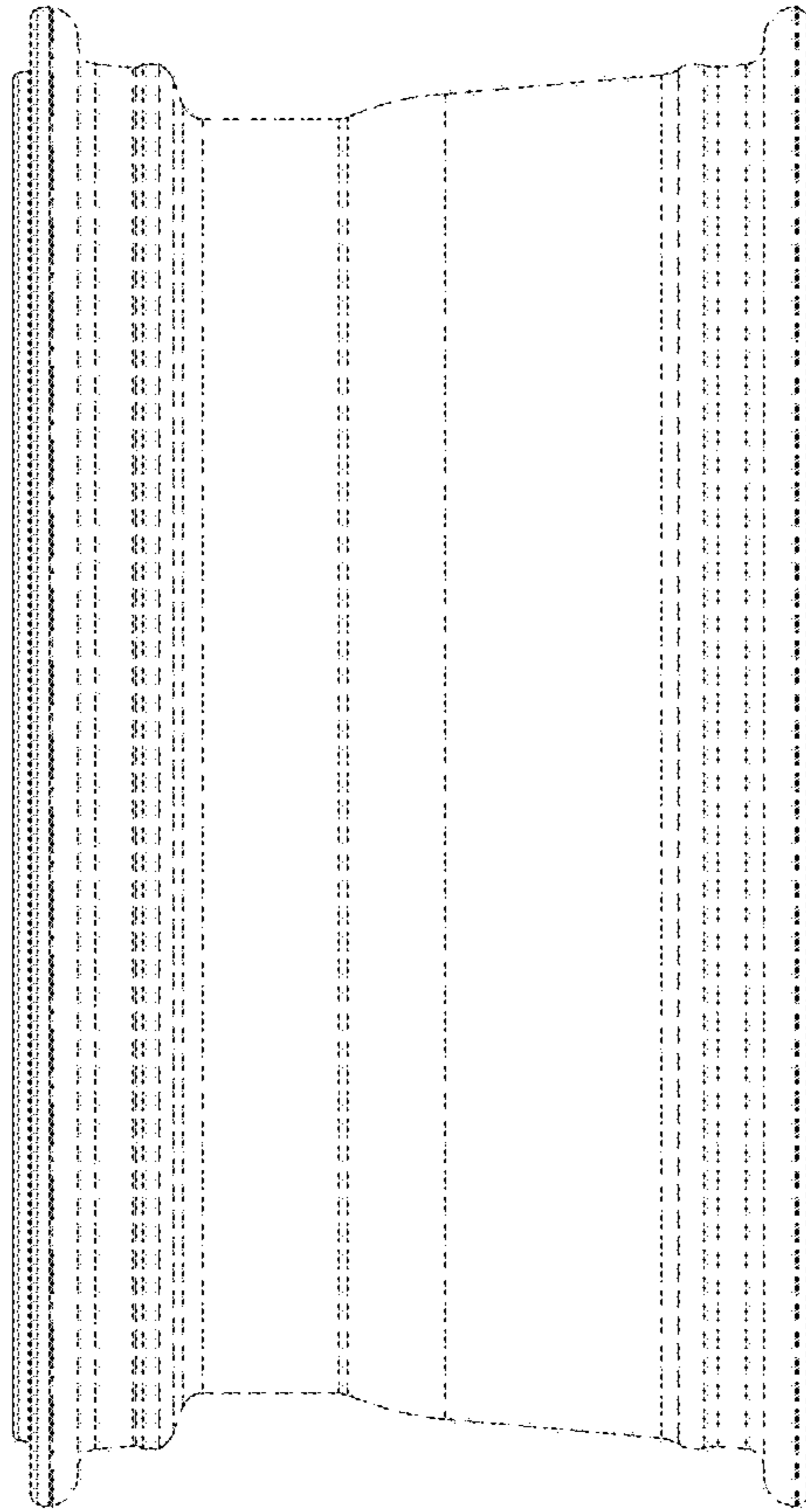


FIG. 3

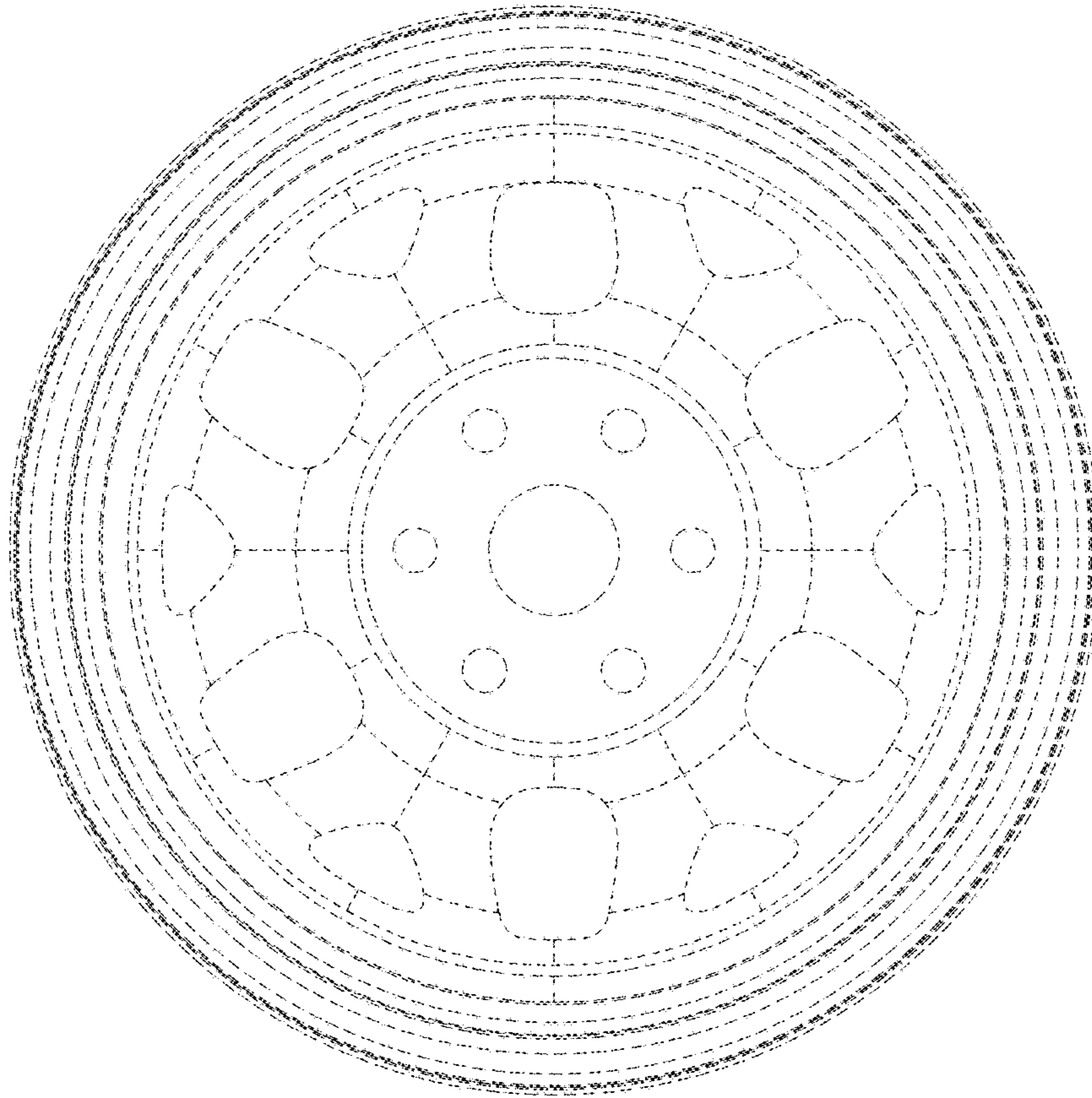


FIG. 4

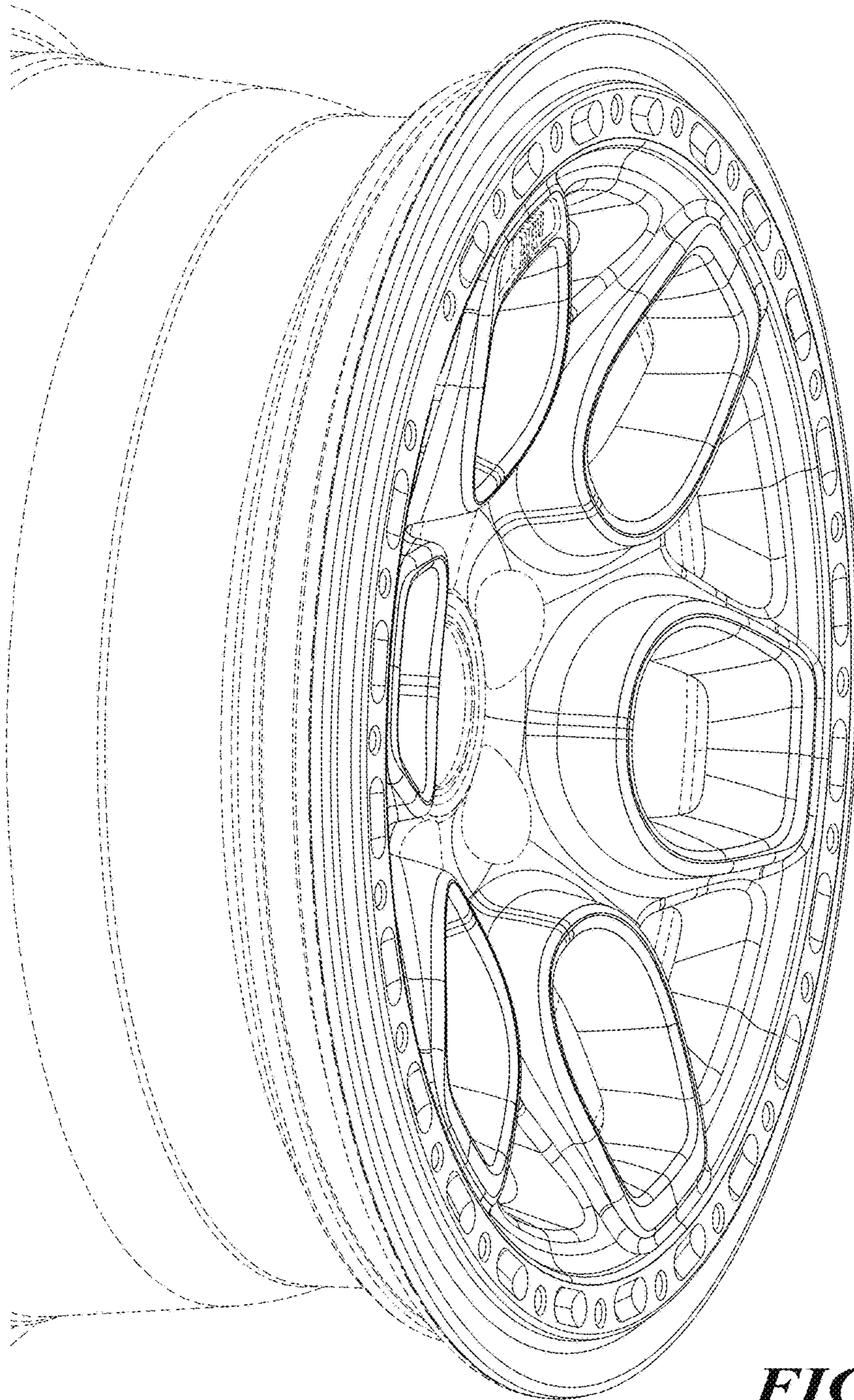


FIG. 5

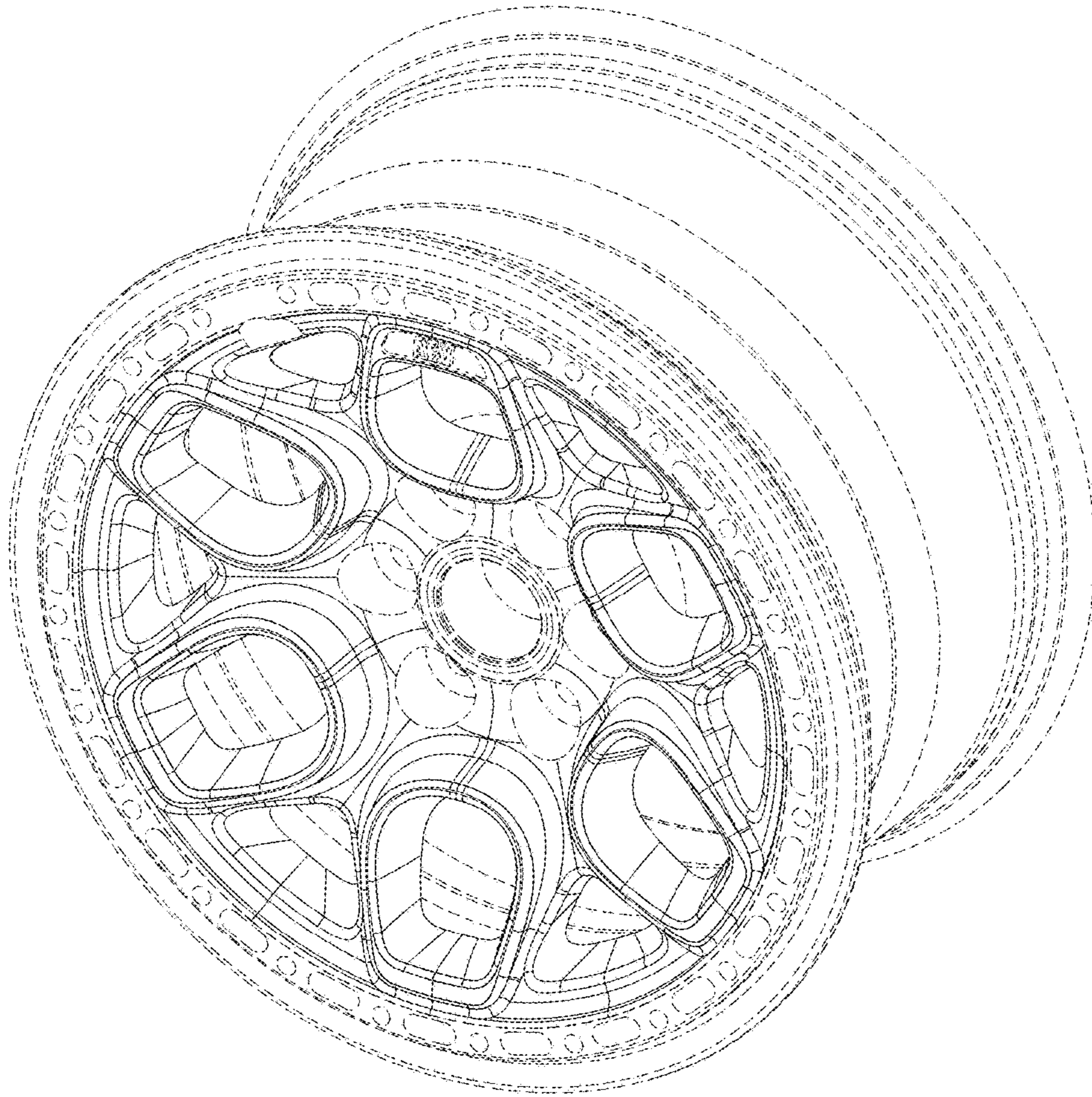


FIG. 6

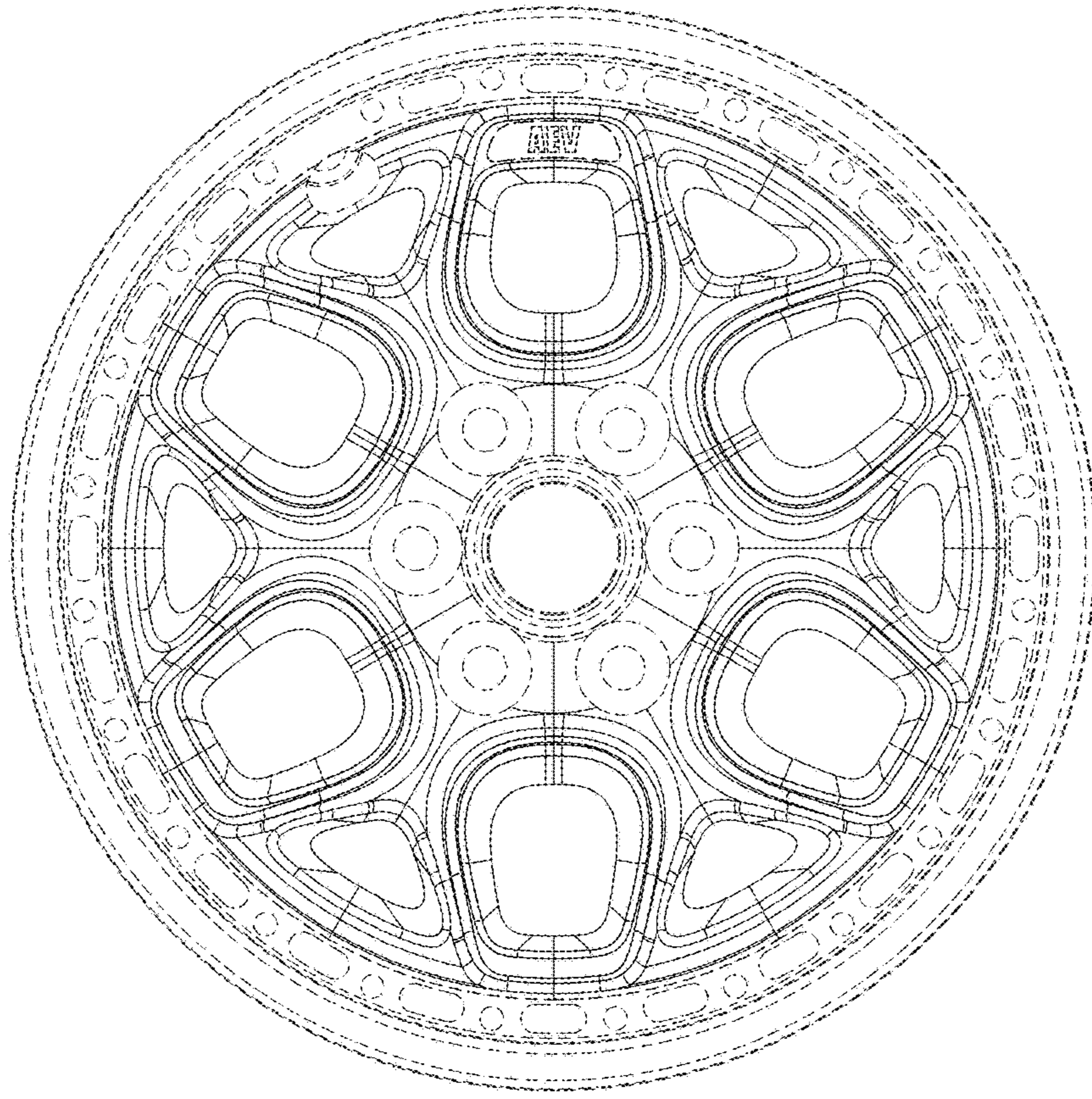


FIG. 7

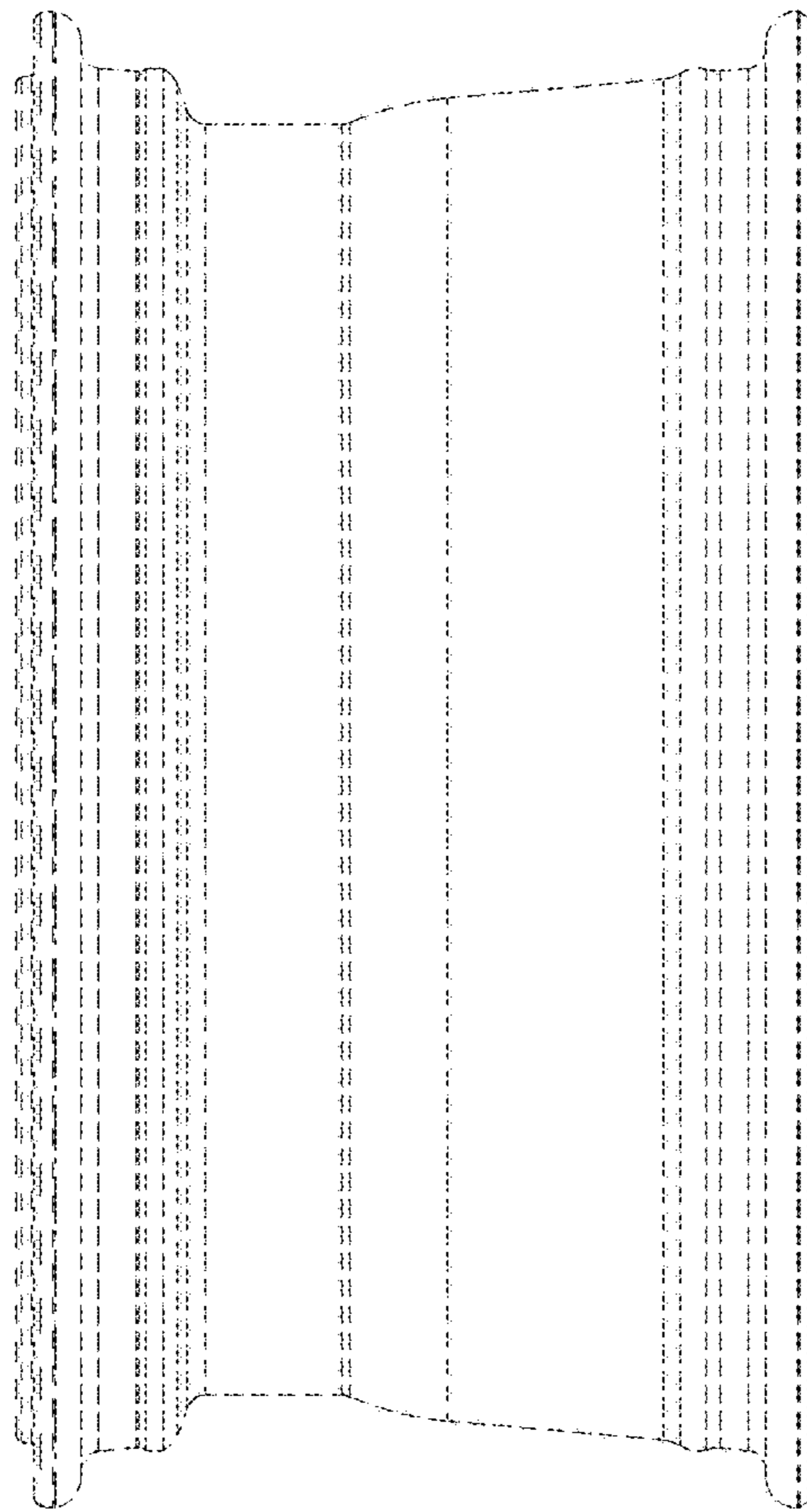


FIG. 8

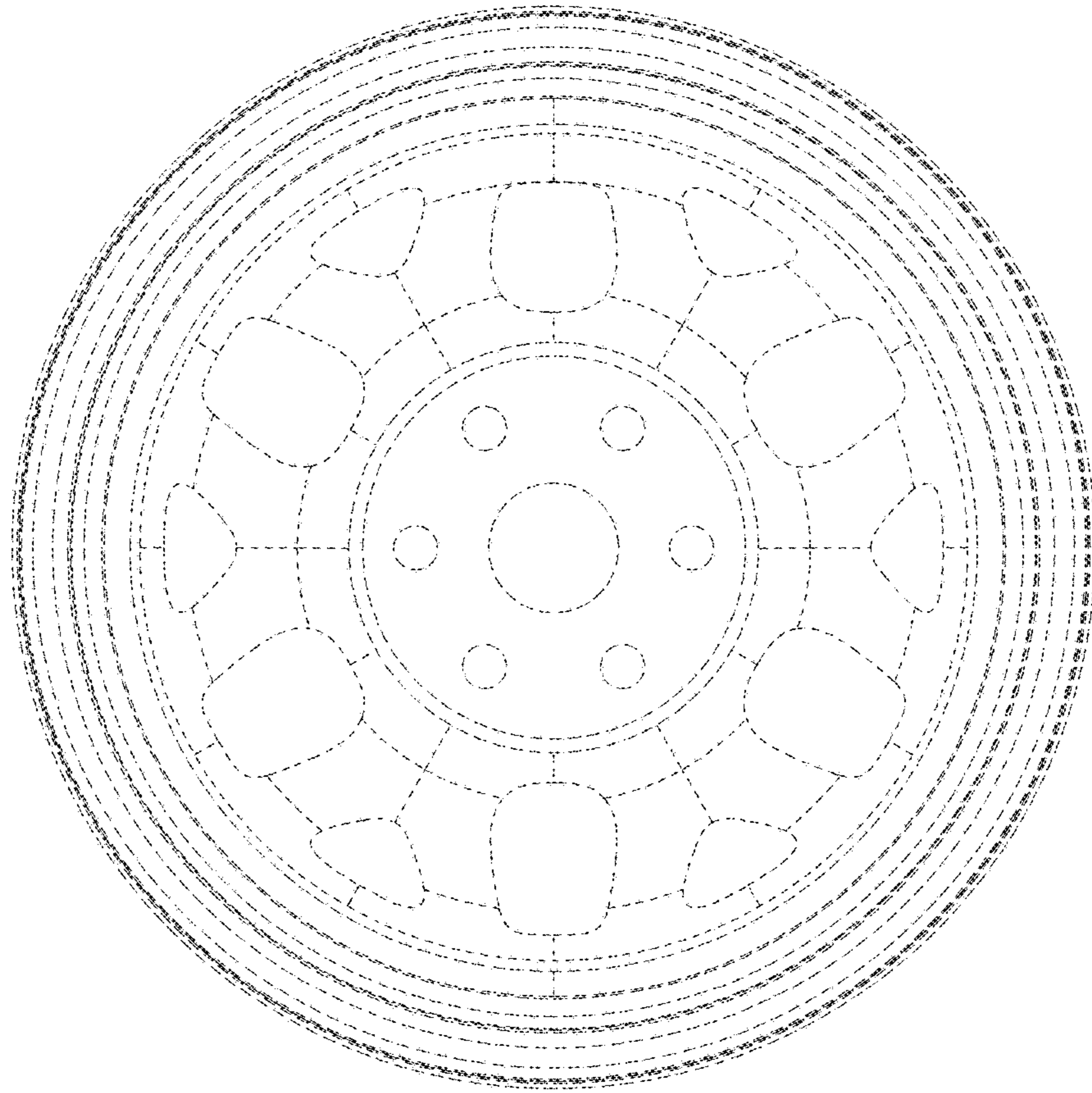


FIG. 9

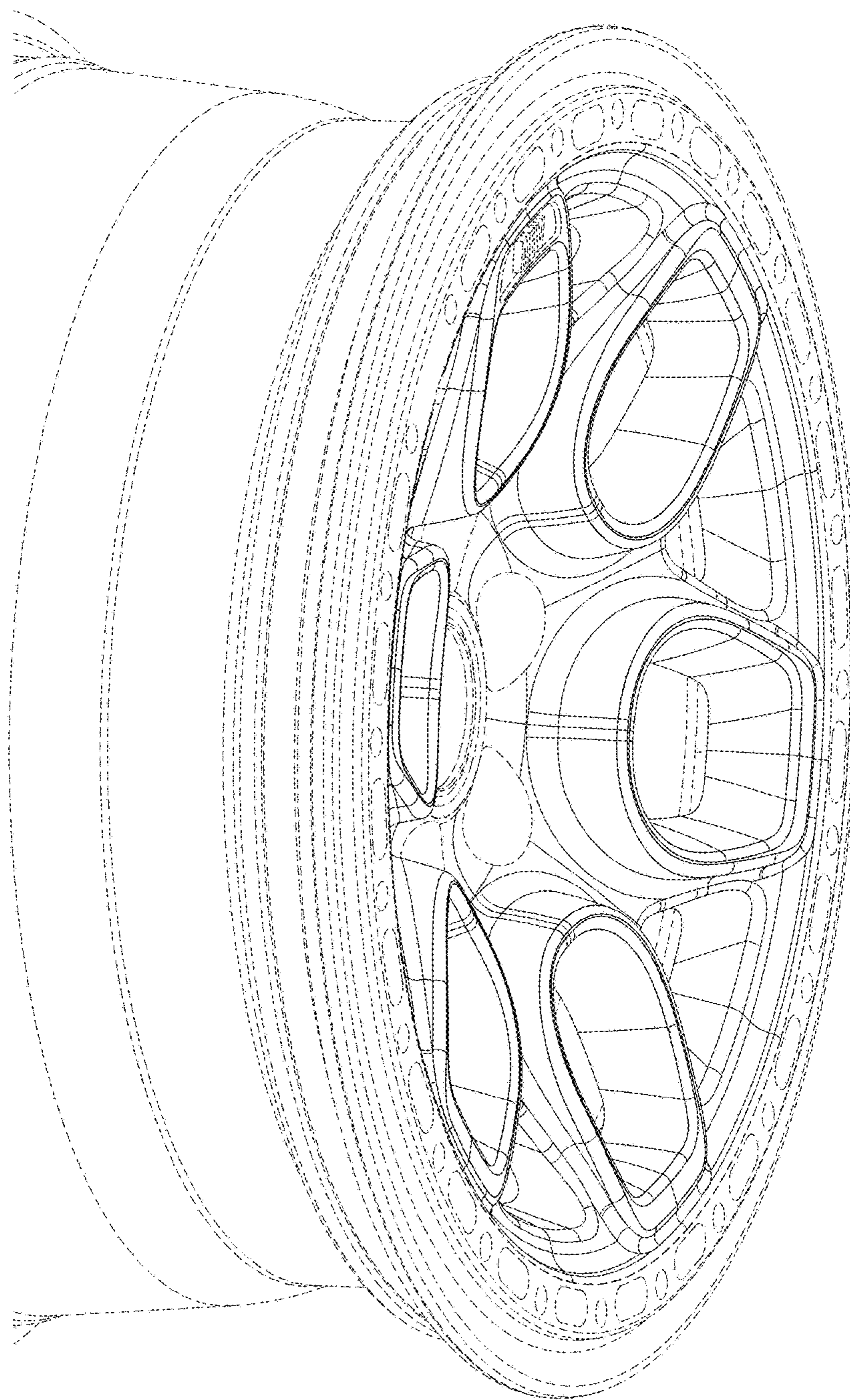


FIG. 10