



US00D857582S

(12) **United States Design Patent**  
**Liffick**

(10) **Patent No.:** **US D857,582 S**

(45) **Date of Patent:** **\*\* Aug. 27, 2019**

(54) **VEHICLE WHEEL**

(71) Applicant: **Prestige Autotech Corporation**, Chino, CA (US)

(72) Inventor: **Fenton Liffick**, Anaheim Hills, CA (US)

(73) Assignee: **PRESTIGE AUTOTECH CORPORATION**, Chino, CA (US)

(\*\*) Term: **15 Years**

(21) Appl. No.: **29/601,452**

(22) Filed: **Apr. 21, 2017**

(51) **LOC (12) Cl.** ..... **12-16**

(52) **U.S. Cl.**  
USPC ..... **D12/209**

(58) **Field of Classification Search**  
USPC ..... D12/400, 204–213, 217, 501; D9/452, D9/538, 541, 546, 559, 669; D7/506, D7/539, 540, 556, 563, 567, 615, 675, D7/677; D21/763, 771, 779, 495, 561, D21/563

CPC .... B60B 7/00; B60B 7/02; B60B 7/04; B60B 7/01; B60B 7/06; B60B 3/02; B60B 3/04; B60B 3/06; B60B 3/10; B60B 1/00; B60B 1/08; B60B 1/10; B60B 1/12

See application file for complete search history.

(56) **References Cited**

**U.S. PATENT DOCUMENTS**

D438,500 S *	3/2001	Embrador	.....	D12/209
D469,729 S *	2/2003	Brintouch	.....	D12/209
D475,962 S *	6/2003	Chung	.....	D12/211
D492,234 S *	6/2004	Kataoka	.....	D12/209
D492,240 S *	6/2004	Suciu	.....	D12/211
D494,523 S *	8/2004	Koenigsberg	.....	D12/209
D500,278 S *	12/2004	Huet	.....	D12/211

D509,176 S *	9/2005	Kataoka	.....	D12/209
D510,555 S *	10/2005	Fowlkes	.....	D12/211
D531,953 S *	11/2006	Aoki	.....	D12/211
D567,732 S *	4/2008	Chung	.....	D12/209
D570,275 S *	6/2008	Laengerer	.....	D12/211
D576,535 S *	9/2008	Chung	.....	D12/209
D582,829 S *	12/2008	Musser	.....	D12/211
D582,830 S *	12/2008	Musser	.....	D12/211
D590,317 S *	4/2009	Chung	.....	D12/211
D596,099 S *	7/2009	Chung	.....	D12/209
D622,197 S *	8/2010	Zhao	.....	D12/209
D625,242 S *	10/2010	Zhao	.....	D12/211
D631,419 S *	1/2011	Kim	.....	D12/209
D633,028 S *	2/2011	Kim	.....	D12/211
D638,763 S *	5/2011	Chung	.....	D12/209
D639,222 S *	6/2011	Johnson	.....	D12/209
D639,223 S *	6/2011	Johnson	.....	D12/209
D641,678 S *	7/2011	Elmitt	.....	D12/209
D649,101 S *	11/2011	Hale, Jr.	.....	D12/209
D649,107 S *	11/2011	Hale, Jr.	.....	D12/211
D659,067 S *	5/2012	Lee	.....	D12/209
D664,907 S *	8/2012	Hale, Jr.	.....	D12/209
D678,160 S *	3/2013	Claunch	.....	D12/209
D681,534 S *	5/2013	Zhao	.....	D12/211
D684,101 S *	6/2013	Alfonso	.....	D12/211

(Continued)

*Primary Examiner* — Marie D. Fast Horse

(74) *Attorney, Agent, or Firm* — Snell & Wilmer LLP

(57) **CLAIM**

I claim the ornamental design for a vehicle wheel, as shown and described.

**DESCRIPTION**

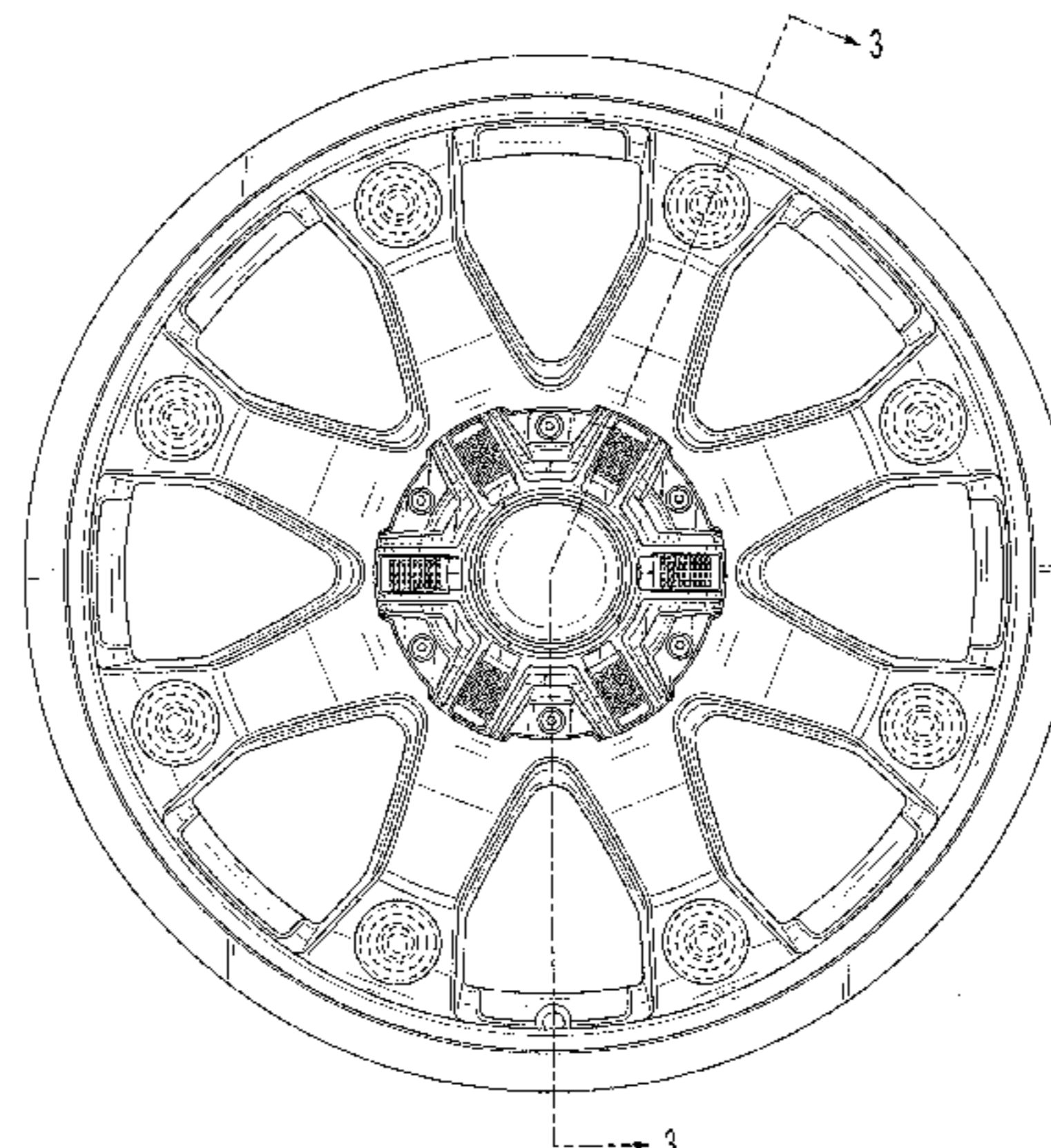
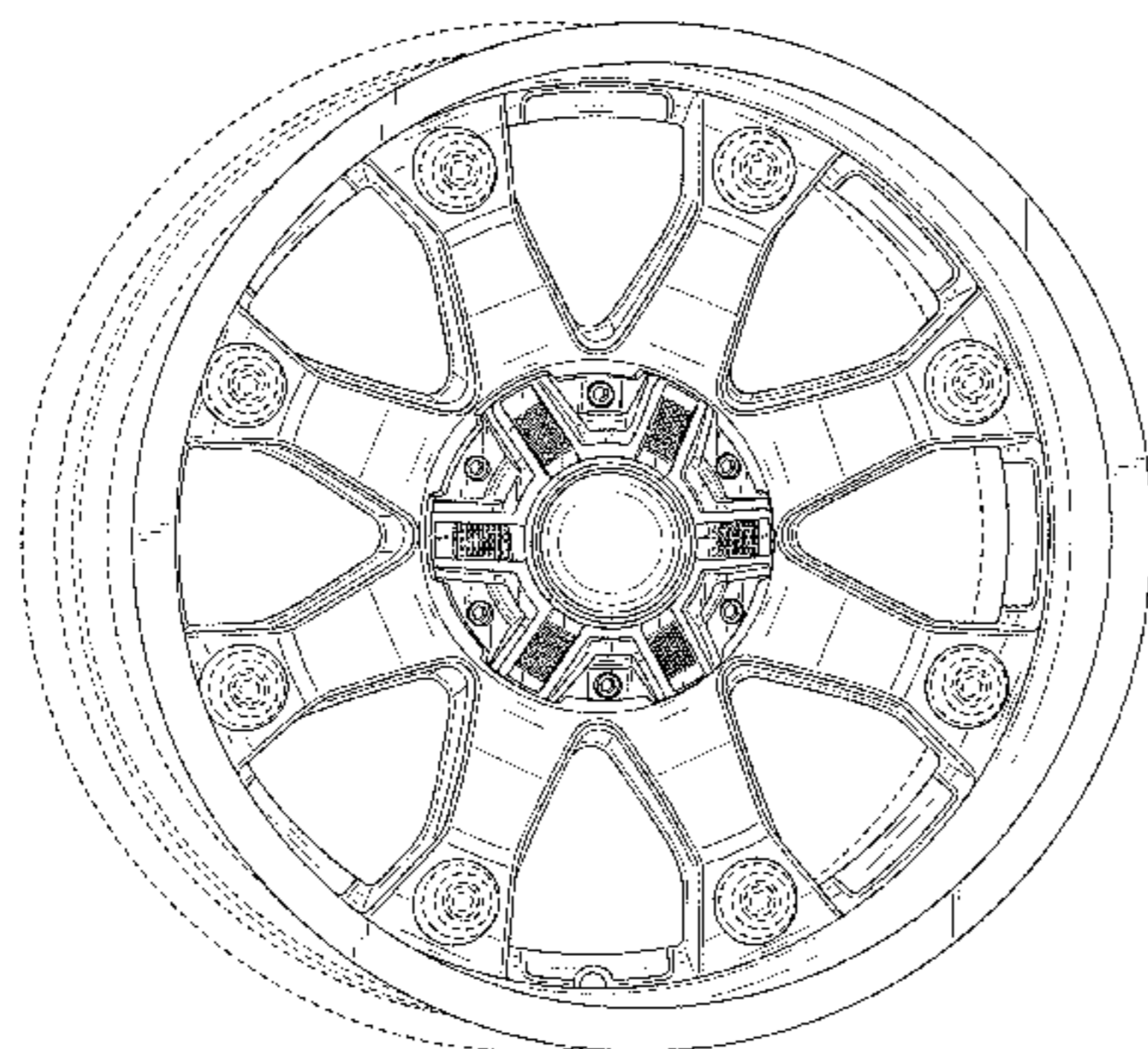
FIG. 1 is a perspective view of the vehicle wheel showing my new design;

FIG. 2 is a front view of the vehicle wheel; and,

FIG. 3 is a cross-sectional view taken along the line 3-3 of FIG. 2.

The broken lines in the drawings depict portions of the vehicle wheel that form no part of the claimed design.

**1 Claim, 3 Drawing Sheets**



(56)

References Cited

U.S. PATENT DOCUMENTS

D699,173 S *	2/2014	Zhao .....	D12/211	D764,375 S *	8/2016	Chung .....	D12/211
D702,172 S *	4/2014	Chung .....	D12/211	D782,955 S *	4/2017	Zhao .....	D12/211
D704,117 S *	5/2014	Chung .....	D12/209	D791,057 S *	7/2017	Johnson .....	D12/211
D704,118 S *	5/2014	Chung .....	D12/209	D791,675 S *	7/2017	Guo .....	D12/211
D704,121 S *	5/2014	Chung .....	D12/211	D794,532 S *	8/2017	Zhao .....	D12/211
D704,122 S *	5/2014	Chung .....	D12/211	D799,398 S *	10/2017	Liffick .....	D12/211
D704,123 S *	5/2014	Rahman .....	D12/211	D803,129 S *	11/2017	McMath .....	D12/209
D706,697 S *	6/2014	Chung .....	D12/209	D805,455 S *	12/2017	Kong .....	D12/209
D715,722 S *	10/2014	Johnson .....	D12/211	D806,626 S *	1/2018	Tran .....	D12/208
D715,724 S *	10/2014	Chung .....	D12/211	D806,630 S *	1/2018	McMath .....	D12/211
D718,204 S *	11/2014	Johnson .....	D12/209	D818,412 S *	5/2018	Oldham .....	D12/211
D722,937 S *	2/2015	Johnson .....	D12/209	D823,214 S *	7/2018	Chung .....	D12/209
RE45,446 E *	4/2015	Hale, Jr. ....	D12/211	D823,767 S *	7/2018	Johnson .....	D12/209
D731,946 S *	6/2015	Chung .....	D12/211	D823,775 S *	7/2018	Sempek .....	D12/211
D741,770 S *	10/2015	Kim .....	D12/209	D825,430 S *	8/2018	Myrberg .....	D12/209
D746,753 S *	1/2016	Johnson .....	D12/209	D826,827 S *	8/2018	Tran .....	D12/209
D746,754 S *	1/2016	Johnson .....	D12/209	D830,278 S *	10/2018	Aslam .....	D12/213
				D833,360 S *	11/2018	Kong .....	D12/209
				D835,021 S *	12/2018	Sempek .....	D12/209

\* cited by examiner

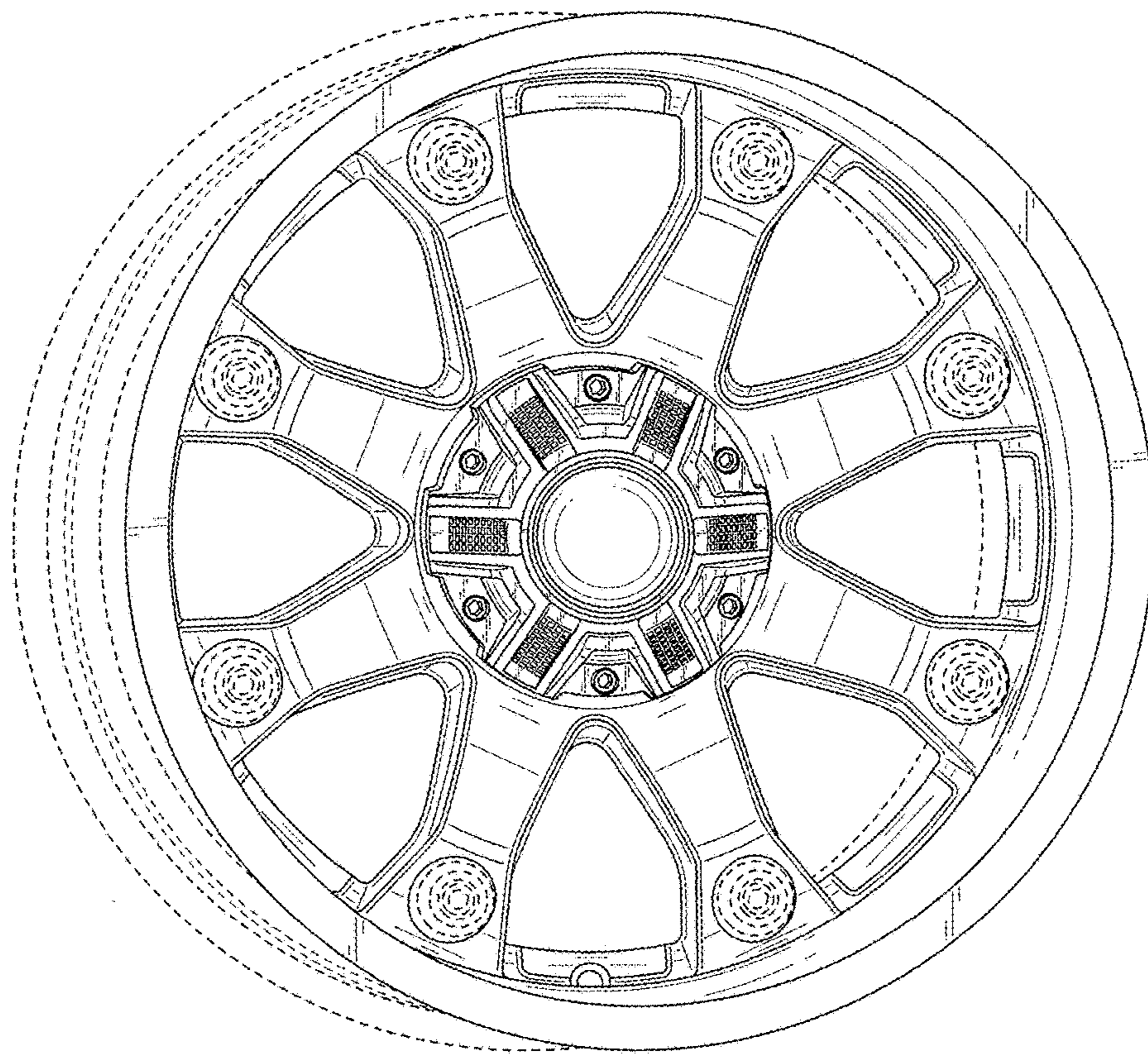


FIG. 1

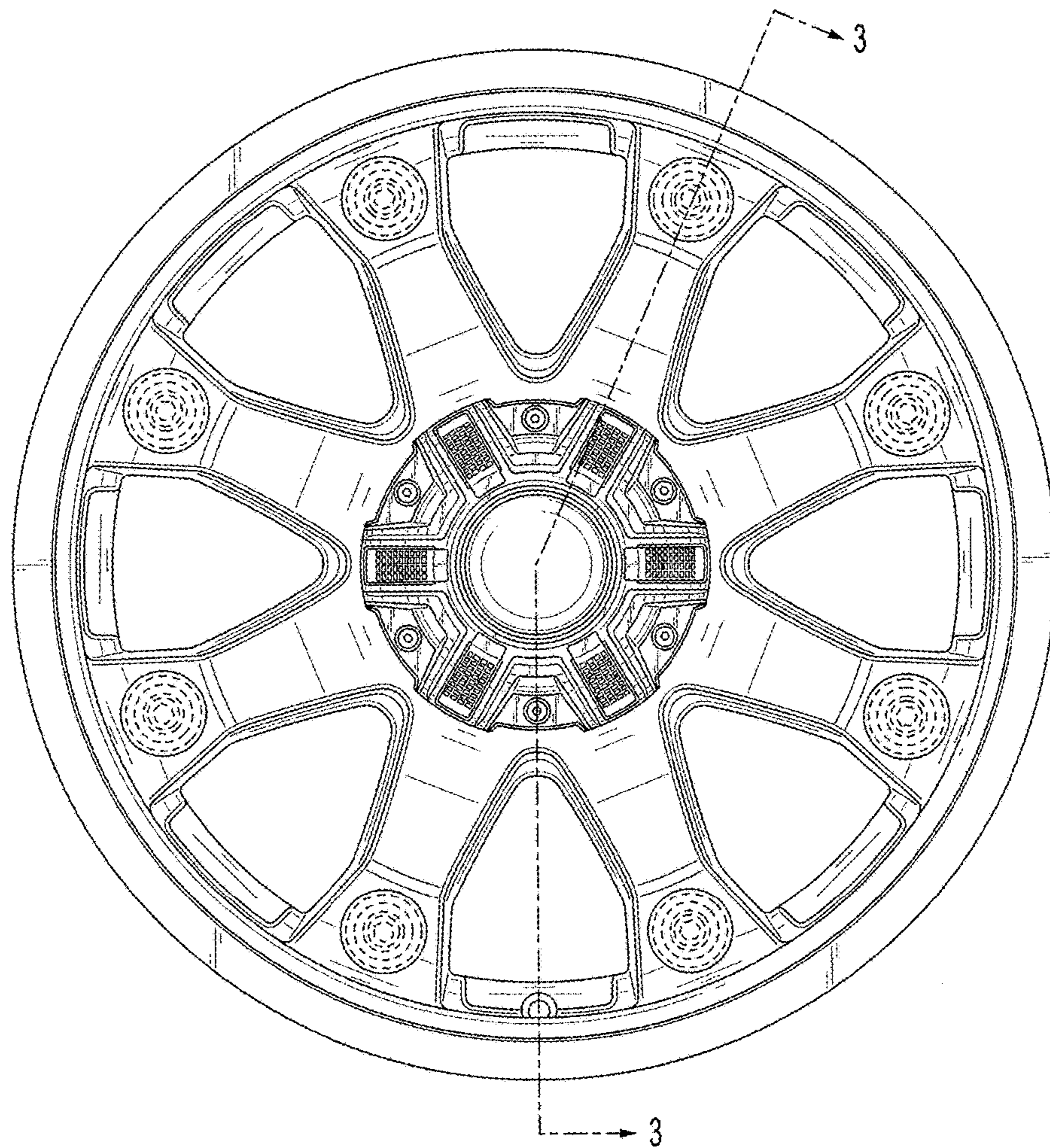


FIG. 2

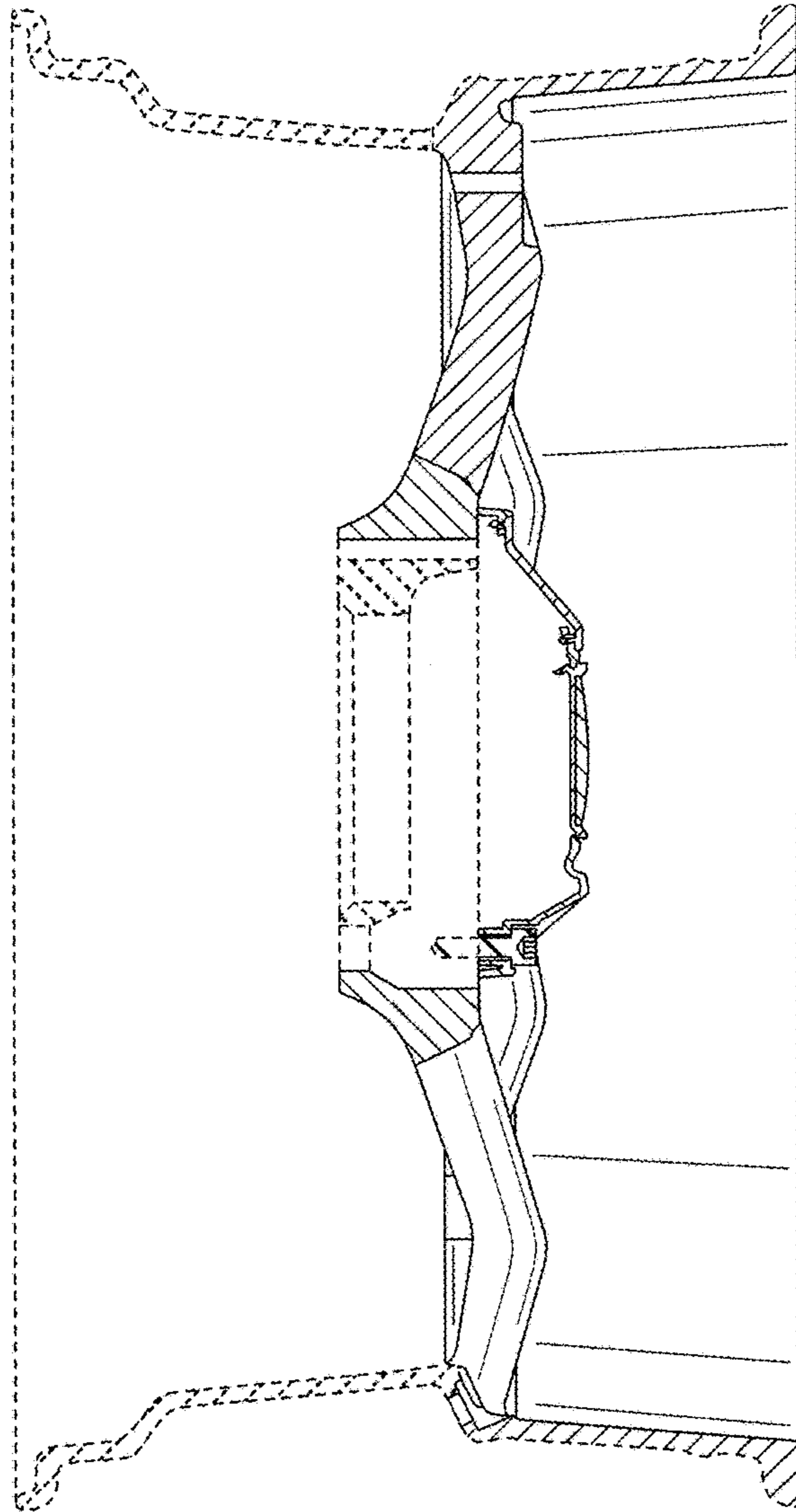


FIG. 3