



US00D857581S

(12) **United States Design Patent**
Liffick

(10) **Patent No.:** **US D857,581 S**

(45) **Date of Patent:** **** Aug. 27, 2019**

(54) **VEHICLE WHEEL**

(71) Applicant: **Prestige Autotech Corporation**, Chino, CA (US)

(72) Inventor: **Fenton Liffick**, Anaheim Hills, CA (US)

(73) Assignee: **PRESTIGE AUTOTECH CORPORATION**, Chino, CA (US)

(**) Term: **15 Years**

(21) Appl. No.: **29/601,451**

(22) Filed: **Apr. 21, 2017**

(51) **LOC (12) Cl.** **12-16**

(52) **U.S. Cl.**
USPC **D12/209**

(58) **Field of Classification Search**
USPC D12/400, 204–213, 217, 501; D9/452, D9/538, 541, 546, 559, 669; D7/506, D7/539, 540, 556, 563, 567, 615, 675, D7/677; D21/763, 771, 779, 495, 561, D21/563

CPC B60B 7/00; B60B 7/02; B60B 7/04; B60B 7/01; B60B 7/06; B60B 3/02; B60B 3/04; B60B 3/06; B60B 3/10; B60B 1/00; B60B 1/08; B60B 1/10; B60B 1/12

See application file for complete search history.

(56) **References Cited**

U.S. PATENT DOCUMENTS

D509,175 S *	9/2005	Marji	D12/209
D520,433 S *	5/2006	Hosoi	D12/211
D572,649 S *	7/2008	Laengerer	D12/211
D577,650 S *	9/2008	Chung	D12/211
D582,334 S *	12/2008	Fournier	D12/211
D621,771 S *	8/2010	Truebsbach	D12/211
D635,903 S *	4/2011	Zhang	D12/209

D642,967 S *	8/2011	Lamm	D12/209
D643,794 S *	8/2011	Elmitt	D12/211
D655,666 S *	3/2012	Zhao	D12/211
D658,101 S *	4/2012	Nissl	D12/209
D672,702 S *	12/2012	Pollmann	D12/211
D686,130 S *	7/2013	Elmitt	D12/209
D695,193 S *	12/2013	Kong	D12/211
D704,617 S *	5/2014	Chung	D12/211
D707,167 S *	6/2014	Chung	D12/209
D707,172 S *	6/2014	Chung	D12/211
D717,224 S *	11/2014	Kim	D12/211
D730,800 S *	6/2015	Behmer	D12/211
D748,035 S *	1/2016	Wagener	D12/211
D763,772 S *	8/2016	Chung	D12/211
D775,576 S *	1/2017	Liffick	D12/211
D787,415 S *	5/2017	Juergens	D12/211
D791,048 S *	7/2017	Valencia Pollex	D12/211
D792,315 S *	7/2017	Mielke	D12/211
D793,942 S *	8/2017	Factor	D12/211
D795,148 S *	8/2017	Ariga	D12/209
D796,410 S *	9/2017	Churchill	D12/211
D799,395 S *	10/2017	Chung	D12/209
D801,906 S *	11/2017	Burki	D12/211
D821,951 S *	7/2018	Wheel	D12/209

(Continued)

Primary Examiner — Marie D. Fast Horse

(74) *Attorney, Agent, or Firm* — Snell & Wilmer LLP

(57) **CLAIM**

I claim the ornamental design for a vehicle wheel, as shown and described.

DESCRIPTION

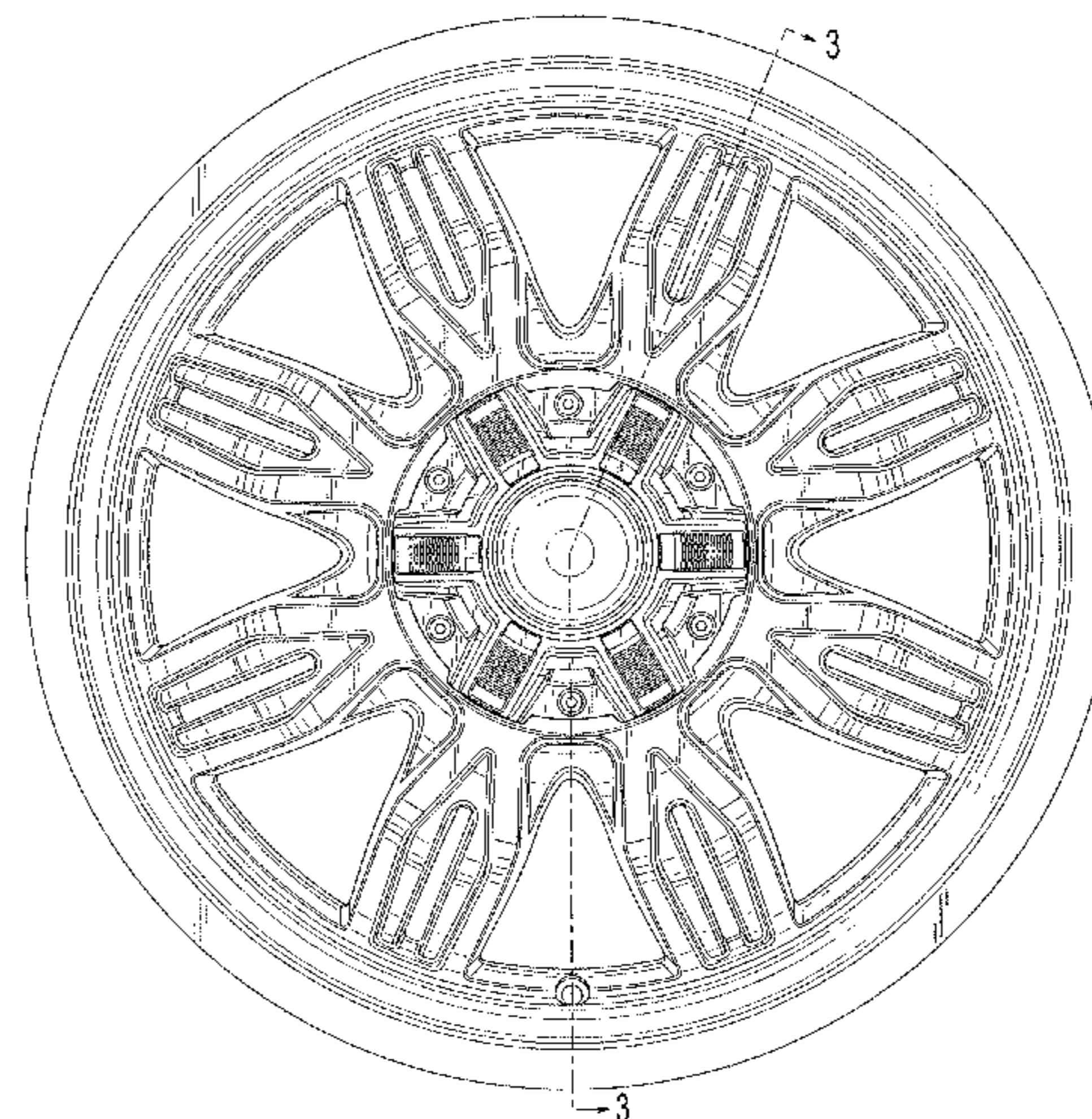
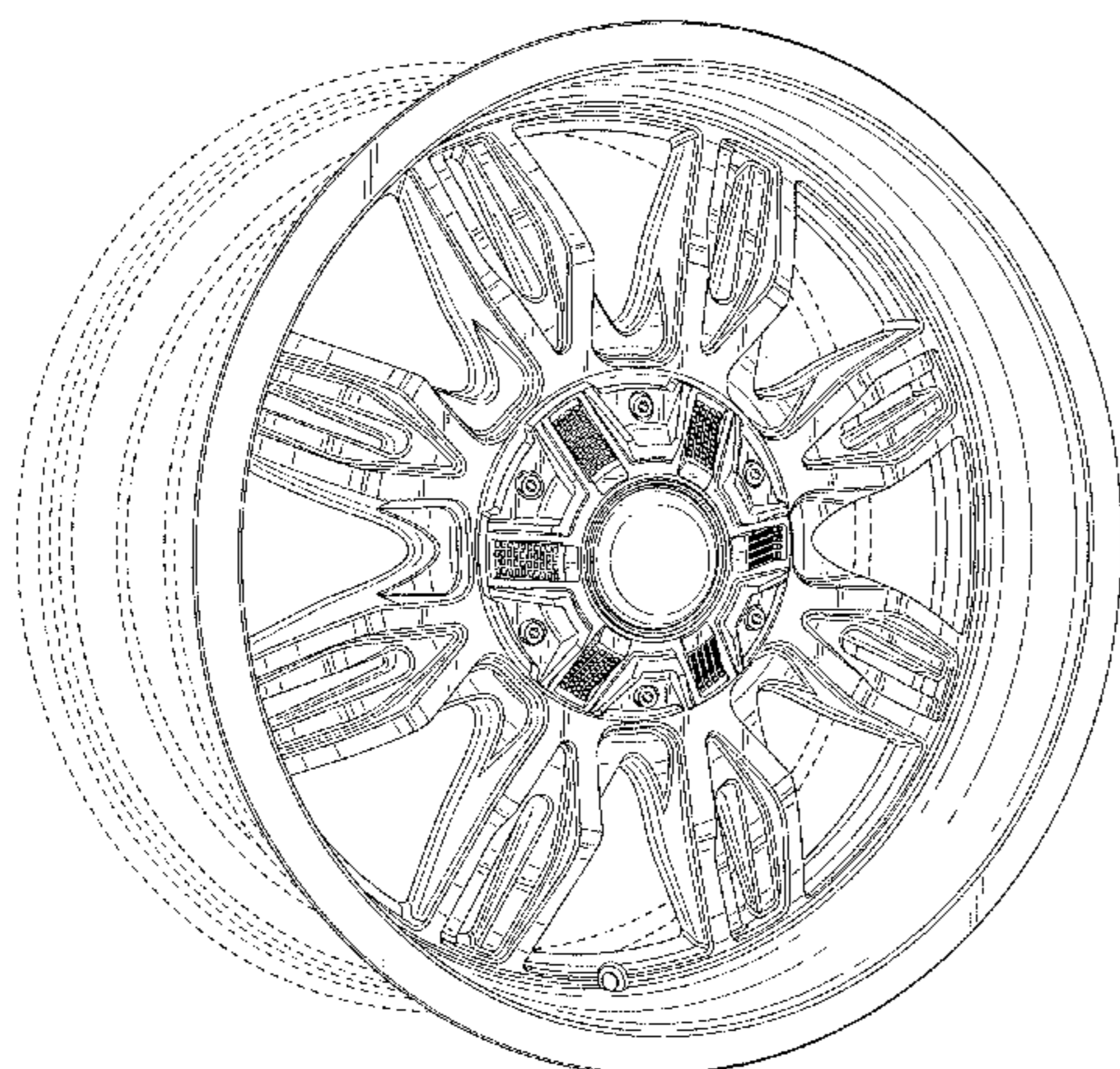
FIG. 1 is a perspective view of the vehicle wheel showing my new design;

FIG. 2 is a front view of the vehicle wheel; and,

FIG. 3 is a cross-sectional view taken along the line 3-3 of FIG. 2.

The broken lines in the drawings depict portions of the vehicle wheel that form no part of the claimed design.

1 Claim, 3 Drawing Sheets



(56)

References Cited

U.S. PATENT DOCUMENTS

D828,800 S * 9/2018 Valencia Pollex D12/209
D834,489 S * 11/2018 Sempek D12/211

* cited by examiner

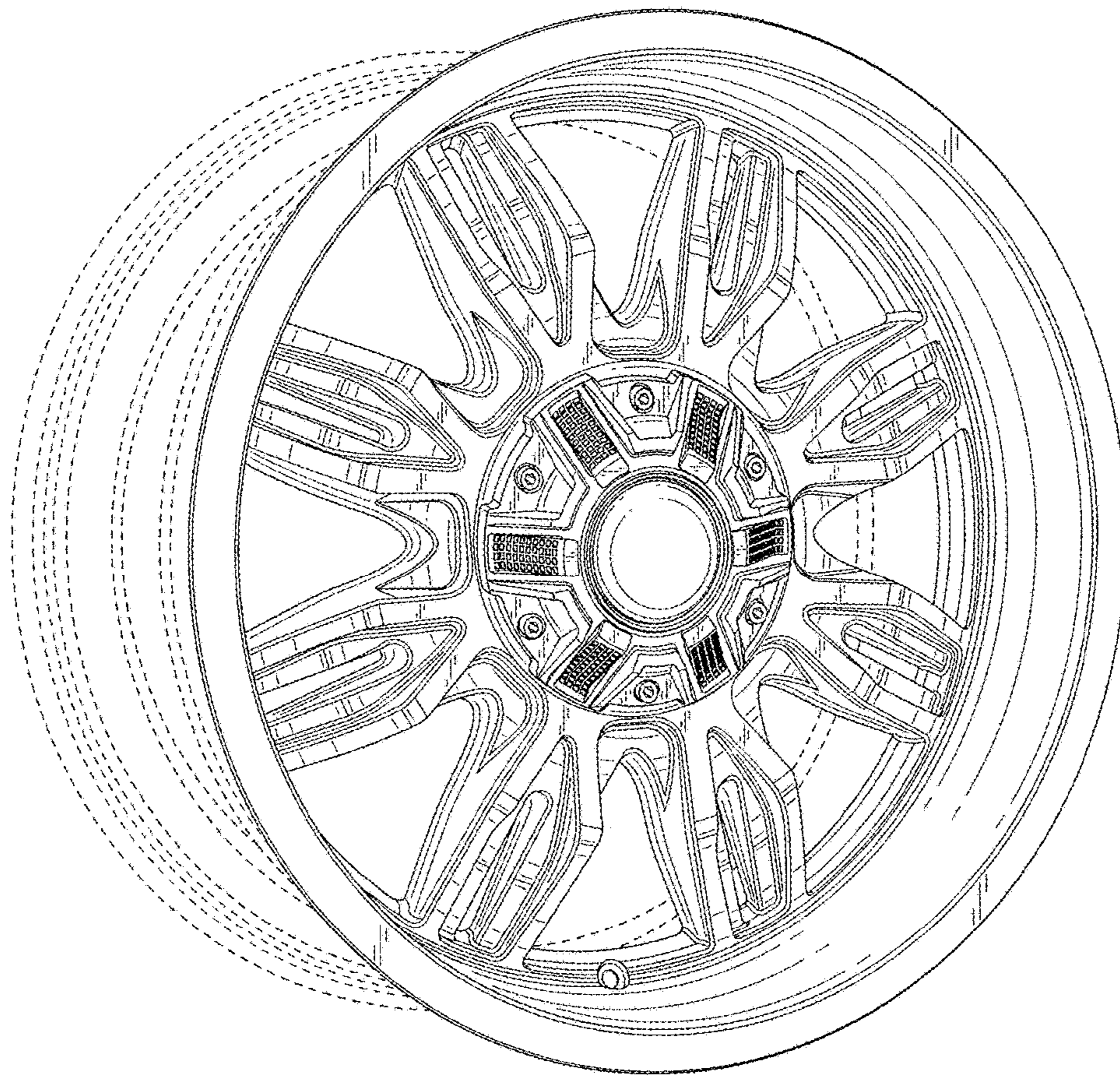


FIG. 1

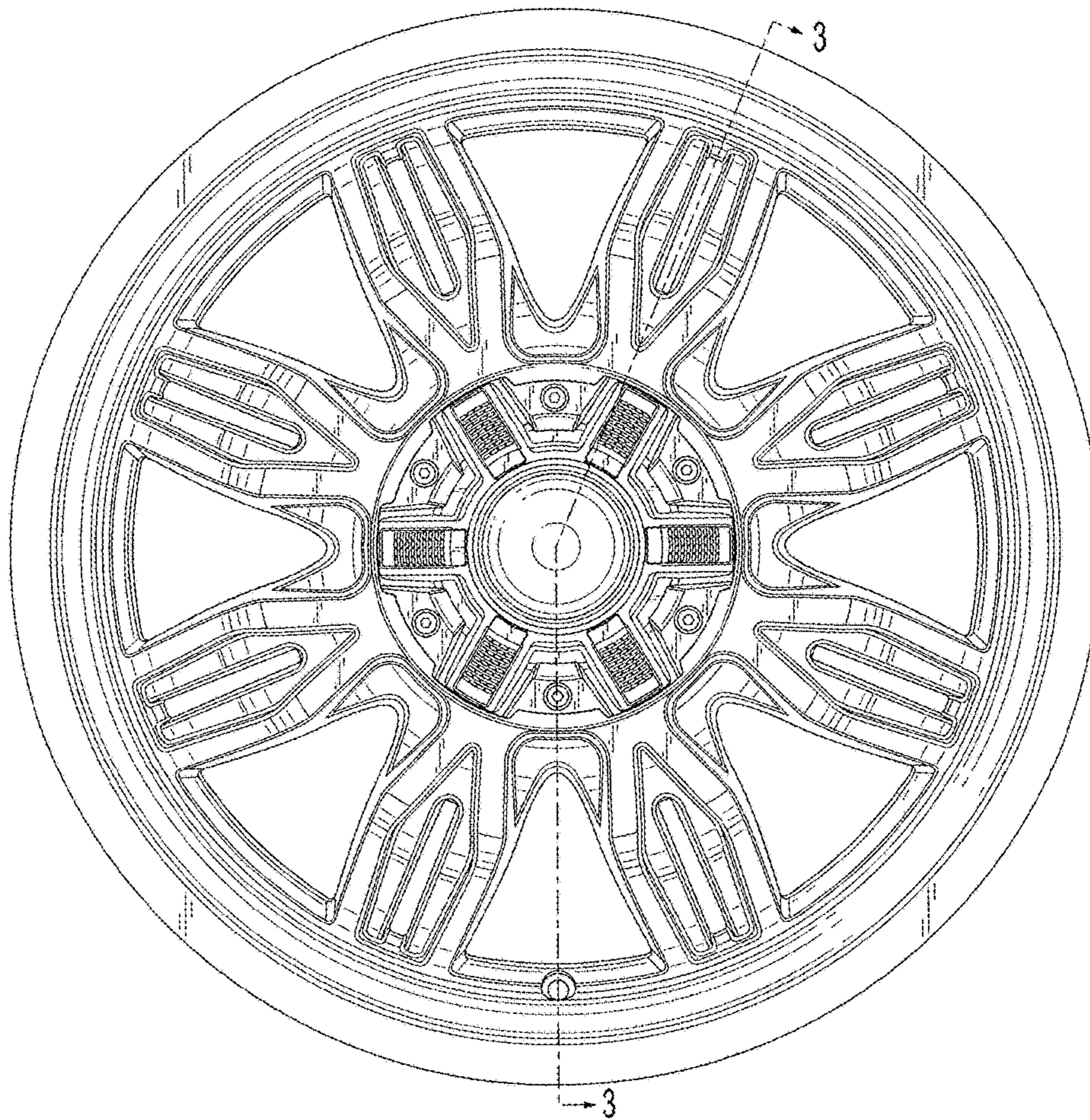


FIG. 2

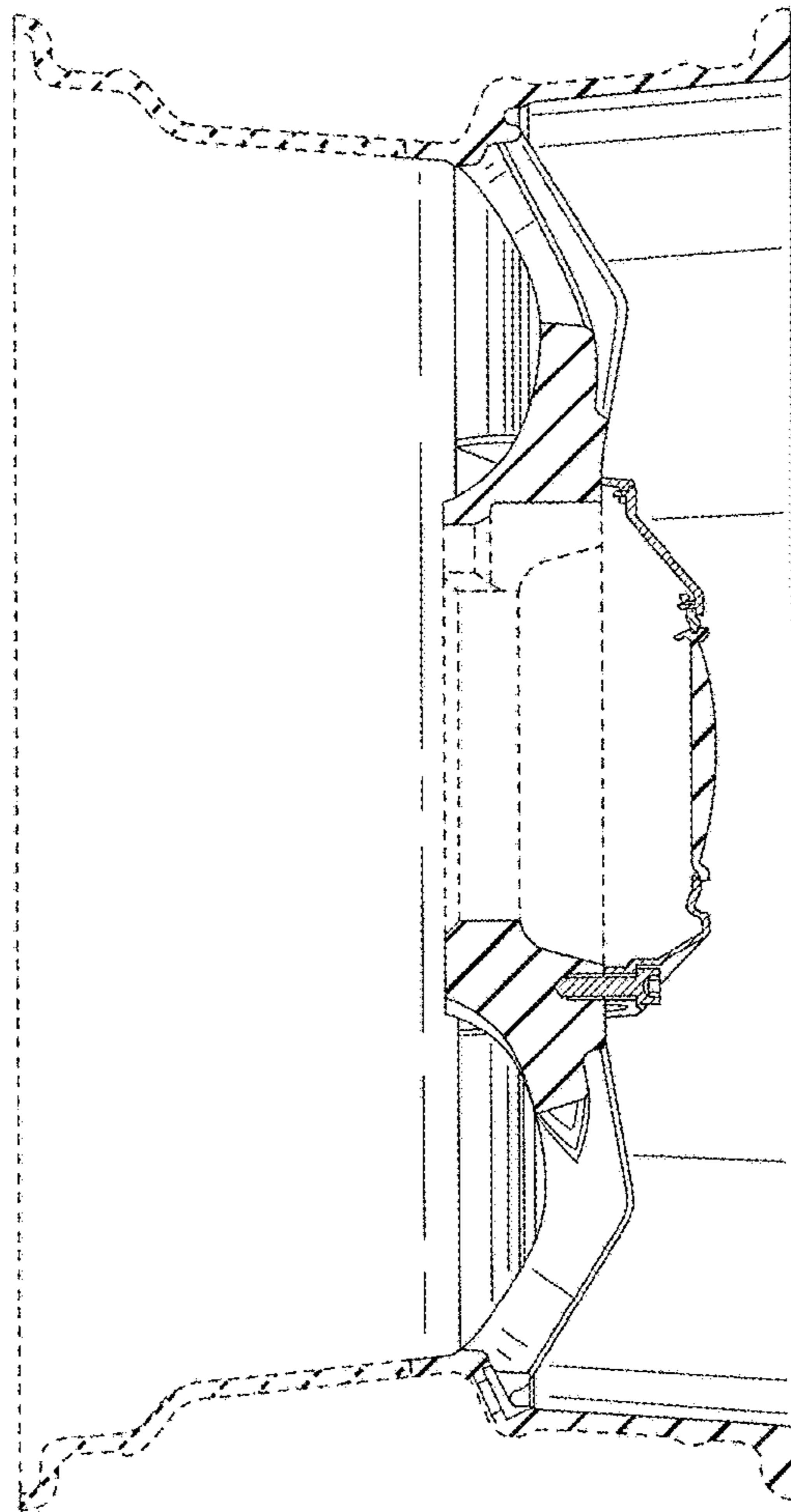


FIG. 3