



US00D857580S

(12) **United States Design Patent**
Liffick

(10) **Patent No.:** **US D857,580 S**

(45) **Date of Patent:** **** Aug. 27, 2019**

(54) **VEHICLE WHEEL**

(71) Applicant: **Prestige Autotech Corporation**, Chino, CA (US)

(72) Inventor: **Fenton Liffick**, Anaheim Hills, CA (US)

(73) Assignee: **PRESTIGE AUTOTECH CORPORATION**, Chino, CA (US)

(**) Term: **15 Years**

(21) Appl. No.: **29/601,447**

(22) Filed: **Apr. 21, 2017**

(51) **LOC (12) Cl.** **12-16**

(52) **U.S. Cl.**
USPC **D12/209**

(58) **Field of Classification Search**
USPC D12/400, 204–213, 217, 501; D9/452, D9/538, 541, 546, 559, 669; D7/506, D7/539, 540, 556, 563, 567, 615, 675, D7/677; D21/763, 771, 779, 495, 561, D21/563

CPC B60B 7/00; B60B 7/02; B60B 7/04; B60B 7/01; B60B 7/06; B60B 3/02; B60B 3/04; B60B 3/06; B60B 3/10; B60B 1/00; B60B 1/08; B60B 1/10; B60B 1/12

See application file for complete search history.

(56) **References Cited**

U.S. PATENT DOCUMENTS

D371,100 S *	6/1996	Hatter	D12/209
D384,022 S *	9/1997	Hatter	D12/209
D388,047 S *	12/1997	Pfeiffer	D12/211
D451,065 S *	11/2001	Braun	D12/211
D455,693 S *	4/2002	Sato	D12/209
D477,556 S *	7/2003	Koch	D12/211
D502,909 S *	3/2005	Pfeiffer	D12/211

D508,007 S *	8/2005	Koch	D12/211
D521,436 S *	5/2006	Meier	D12/209
D573,932 S *	7/2008	Laengerer	D12/209
D587,179 S *	2/2009	Pfeiffer	D12/209
D590,320 S *	4/2009	Scheu	D12/211
D609,624 S *	2/2010	Matsubara	D12/211
D611,396 S *	3/2010	Antoniadis	D12/211
D619,071 S *	7/2010	Christensen	D12/211
D623,116 S *	9/2010	Zhao	D12/211
D626,905 S *	11/2010	Camacho	D12/209
D627,698 S *	11/2010	Zhang	D12/209
D628,948 S *	12/2010	Chung	D12/211
D639,715 S *	6/2011	Furst	D12/209
D655,660 S *	3/2012	Stucki	D12/209
D680,940 S *	4/2013	Hale, Jr.	D12/211
D682,180 S *	5/2013	Zhao	D12/211
D686,963 S *	7/2013	Hale, Jr.	D12/211
D691,542 S *	10/2013	Chan	D12/209
D712,334 S *	9/2014	Hale, Jr.	D12/211
D719,496 S *	12/2014	Johnson	D12/209
D738,281 S *	9/2015	Watkin	D12/211
D739,329 S *	9/2015	Watkin	D12/211
D745,842 S *	12/2015	Wheel	D12/209
D747,256 S *	1/2016	Johnson	D12/211
D774,435 S *	12/2016	Vartola	D12/209

(Continued)

Primary Examiner — Marie D. Fast Horse

(74) *Attorney, Agent, or Firm* — Snell & Wilmer LLP

(57) **CLAIM**

I claim the ornamental design for a vehicle wheel, as shown and described.

DESCRIPTION

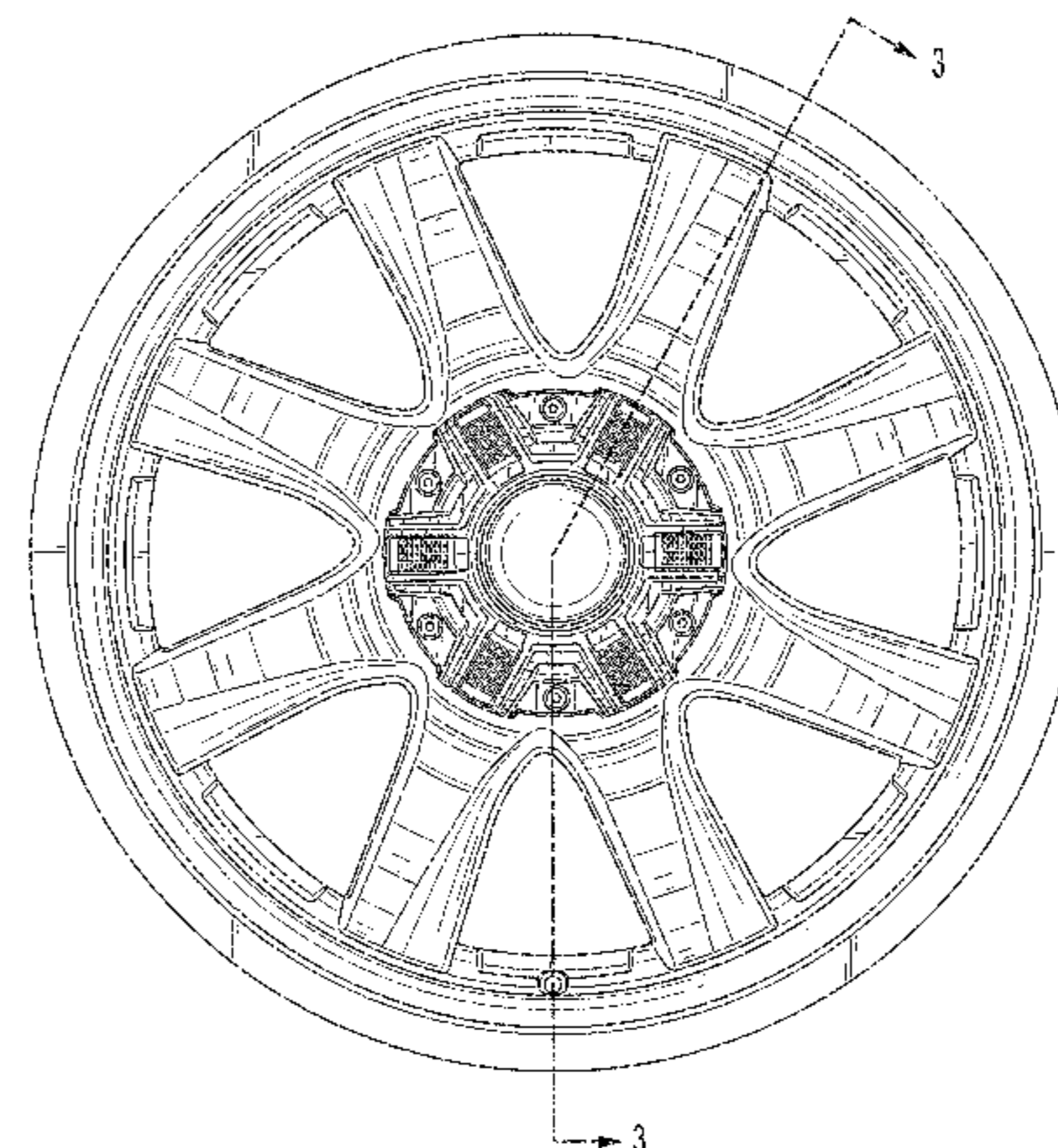
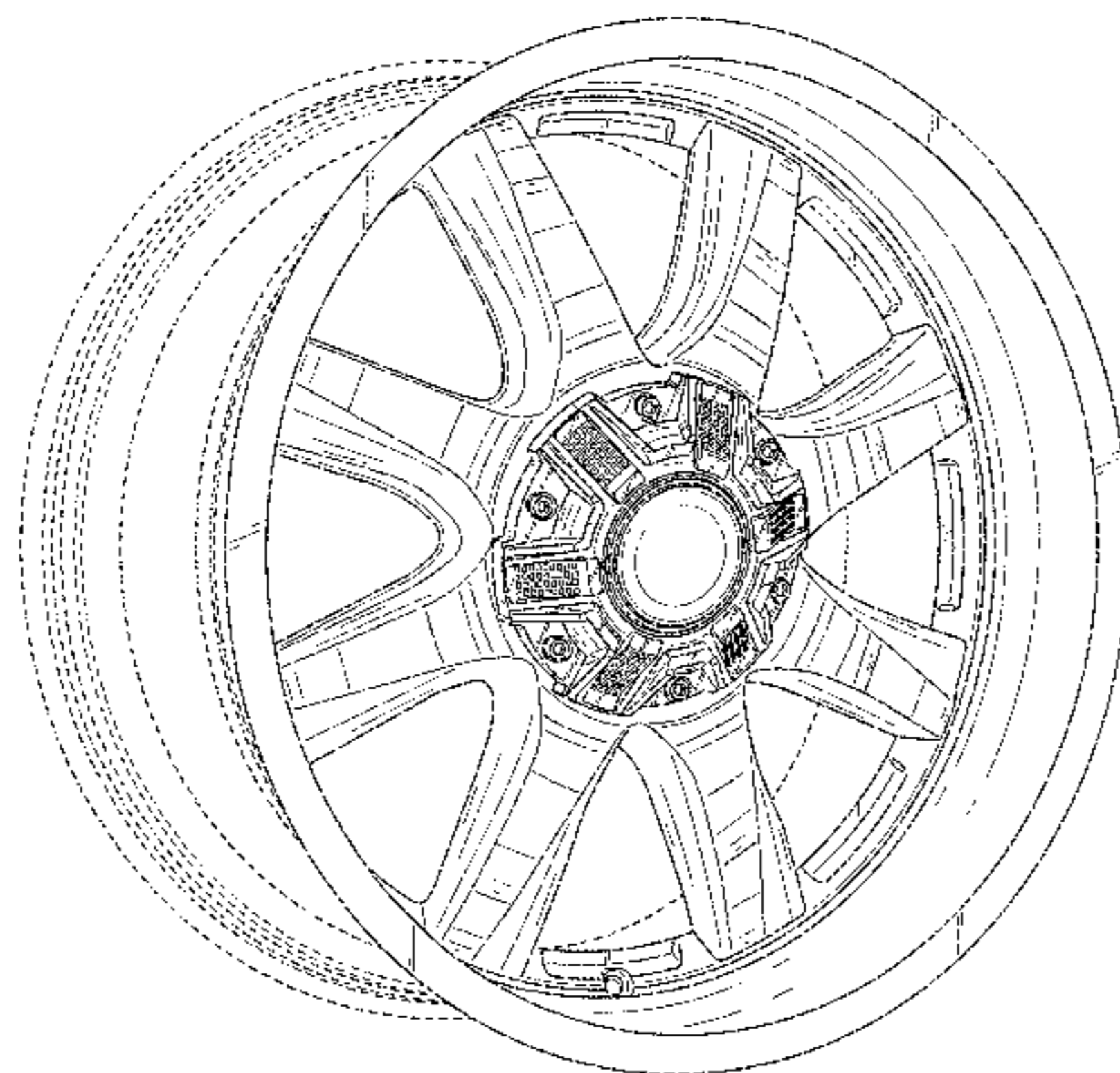
FIG. 1 is a perspective view of the vehicle wheel showing my new design;

FIG. 2 is a front view of the vehicle wheel; and,

FIG. 3 is a cross-sectional view taken along the line 3-3 of FIG. 2.

The broken lines in the drawings depict portions of the vehicle wheel that form no part of the claimed design.

1 Claim, 3 Drawing Sheets



(56)

References Cited

U.S. PATENT DOCUMENTS

D786,767 S	*	5/2017	Bjerke	D12/209
D787,411 S	*	5/2017	Peat	D12/211
D798,787 S	*	10/2017	Song	D12/211
D799,395 S	*	10/2017	Chung	D12/209
D799,398 S	*	10/2017	Liffick	D12/211
D803,754 S	*	11/2017	Chung	D12/211
D804,387 S	*	12/2017	Zhao	D12/209
D830,278 S	*	10/2018	Aslam	D12/213
D832,761 S	*	11/2018	Johnson	D12/209
D833,359 S	*	11/2018	Ranum	D12/209
D834,483 S	*	11/2018	Johnson	D12/209

* cited by examiner

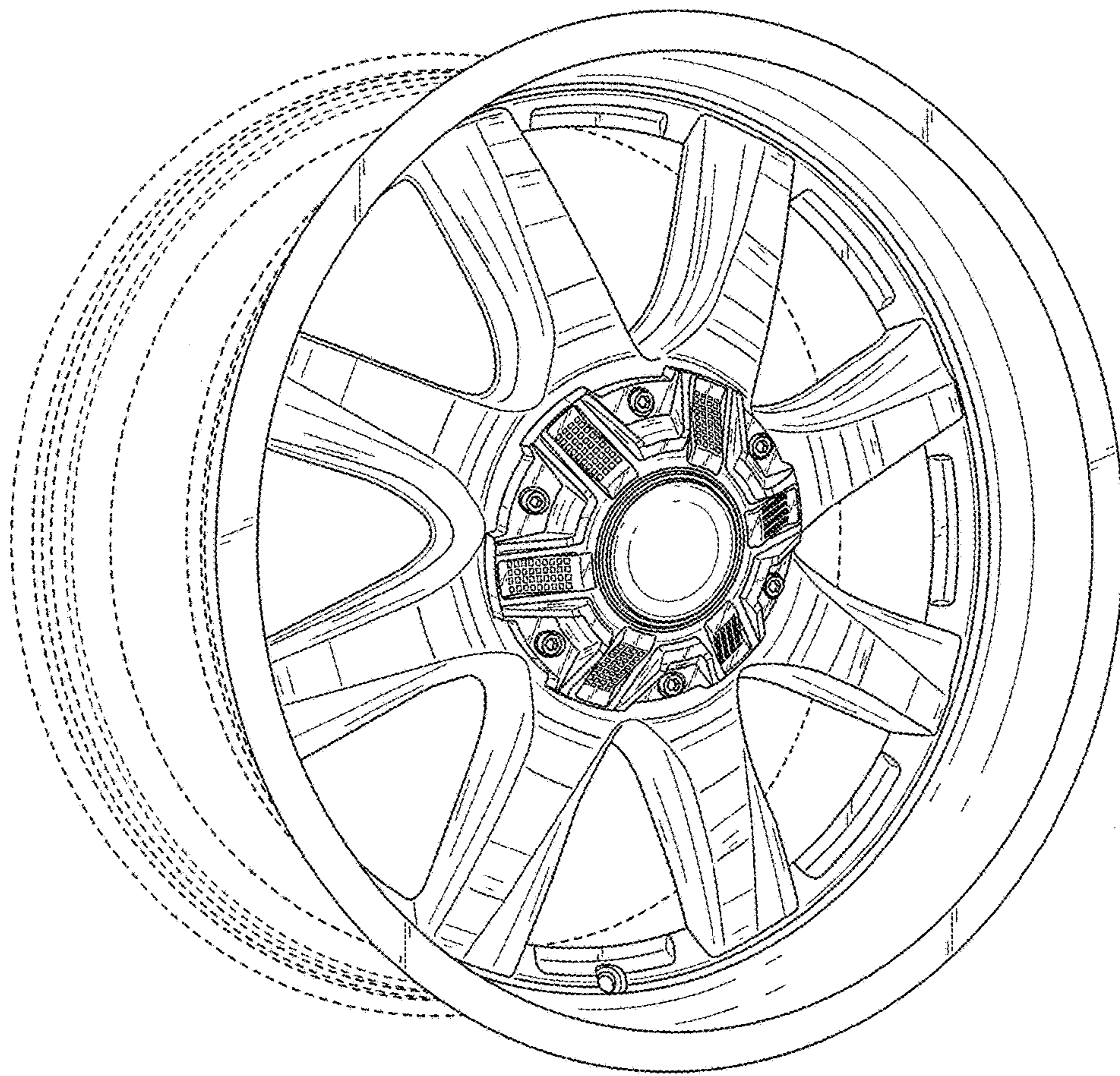


FIG. 1

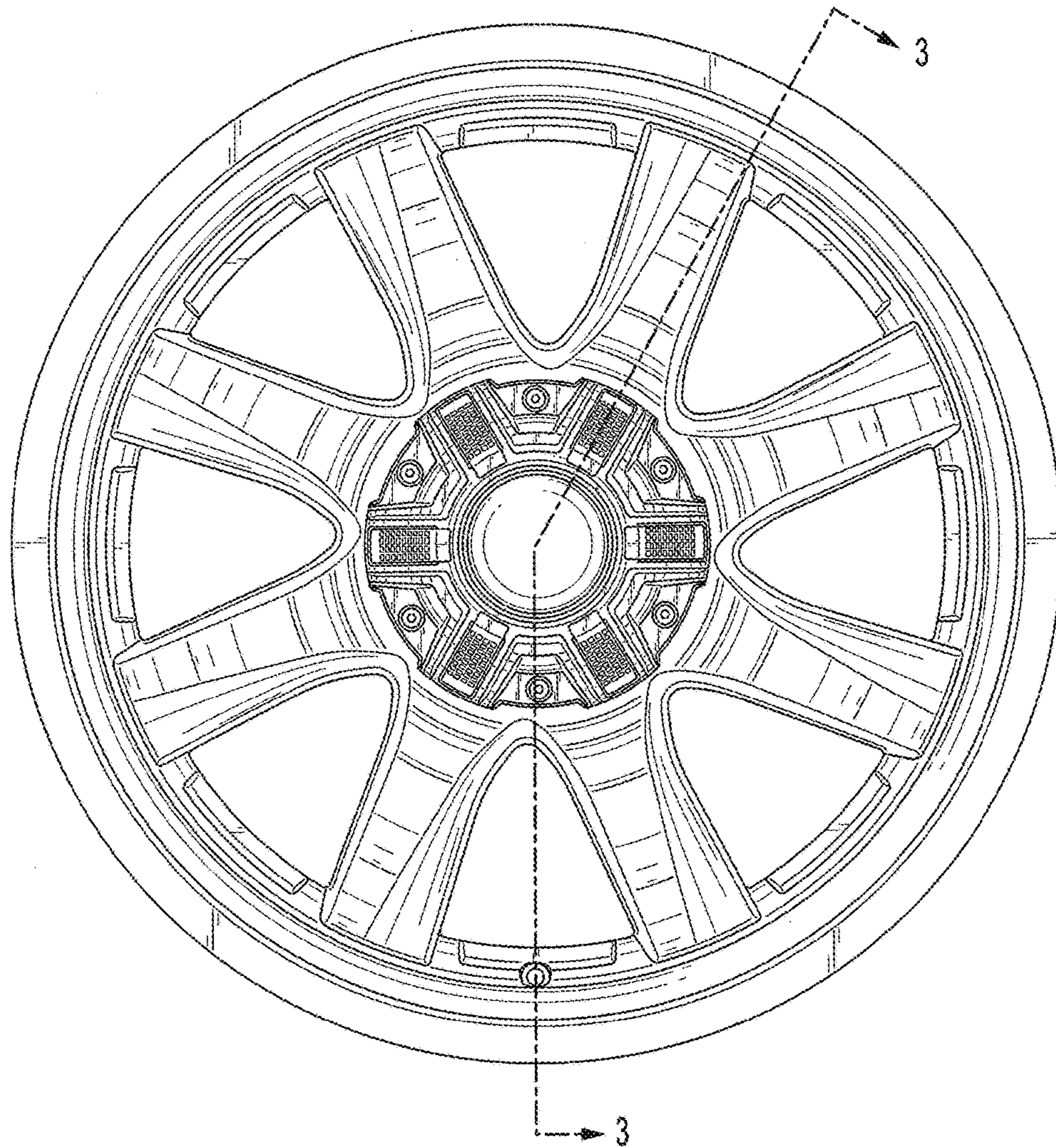


FIG. 2

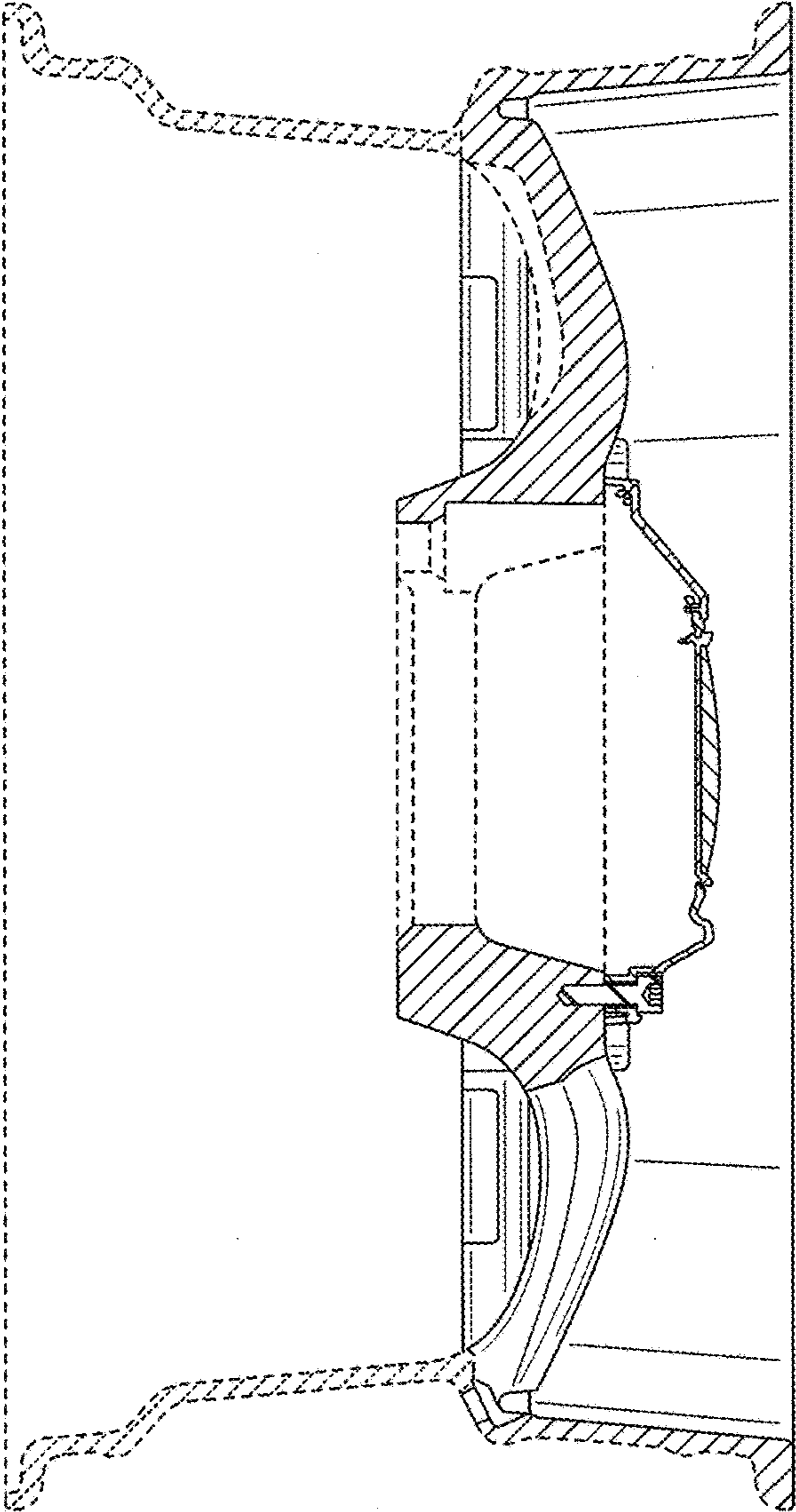


FIG. 3