



US00D857579S

(12) **United States Design Patent** (10) **Patent No.:** **US D857,579 S**
Fischer et al. (45) **Date of Patent:** **** Aug. 27, 2019**

(54) **REAR SPARE TIRE COVER**
(71) Applicants: **Christopher Fischer**, Boulder, CO
(US); **Jessica Fischer**, Boulder, CO
(US)
(72) Inventors: **Christopher Fischer**, Boulder, CO
(US); **Jessica Fischer**, Boulder, CO
(US)

D469,725 S * 2/2003 Murkett D12/202
D526,608 S * 8/2006 Hayashi D12/202
D588,975 S * 3/2009 Spater D12/202
D618,608 S * 6/2010 Fleck D12/213
D619,526 S * 7/2010 Fleck D12/213
D679,644 S * 4/2013 Bakke D12/202
D816,006 S * 4/2018 Colebank D12/202
10,086,887 B1 * 10/2018 Grattan B62D 43/005
2008/0047985 A1 * 2/2008 Newbill B62D 43/002
224/42.2

(**) Term: **15 Years**
(21) Appl. No.: **29/650,302**
(22) Filed: **Jun. 5, 2018**
(51) **LOC (12) Cl.** **12-16**
(52) **U.S. Cl.**
USPC **D12/202**
(58) **Field of Classification Search**
USPC D12/202, 608, 400, 213
CPC B62D 43/02; B62D 43/00; B62D 43/06;
B62D 43/005; B60C 27/00; B60C 25/00
See application file for complete search history.

OTHER PUBLICATIONS

U.S. Appl. No. 62/690,558, filed Jun. 27, 2018.

* cited by examiner

Primary Examiner — Stacia A Cadmus

(74) *Attorney, Agent, or Firm* — Patent Law Offices of Rick Martin P.C.

(56) **References Cited**
U.S. PATENT DOCUMENTS
D190,026 S * 4/1961 Walker D12/202
D305,322 S * 1/1990 Campbell D12/202
D306,995 S * 4/1990 Reed, Jr. D12/202
5,402,922 A * 4/1995 Jordan B62D 43/005
206/304
D377,002 S * 12/1996 Tran D12/202
5,921,449 A * 7/1999 Saegusa B62D 43/02
150/154
D416,843 S * 11/1999 Brown D12/202
D418,792 S * 1/2000 Iampen D12/202
D430,840 S * 9/2000 Lampen D12/202
6,116,415 A * 9/2000 Rastelli B62D 43/005
206/304.1

(57) **CLAIM**
The ornamental design for a rear spare tire cover, as shown and described.

DESCRIPTION

FIG. 1 is a front perspective view of our new design for a rear spare tire cover;
FIG. 2 is a rear elevation view thereof;
FIG. 3 is a front elevation view thereof;
FIG. 4 is a rear elevation view thereof;
FIG. 5 is a right side elevation view thereof; a left side elevation view being a mirror image thereof; and
FIG. 6 is a cross sectional view taken along line 6-6 of FIG. 3; and,
FIG. 7 is a side perspective view thereof.
In the drawings, the broken lines depict environmental subject matter and form no part of the claimed design.

1 Claim, 6 Drawing Sheets

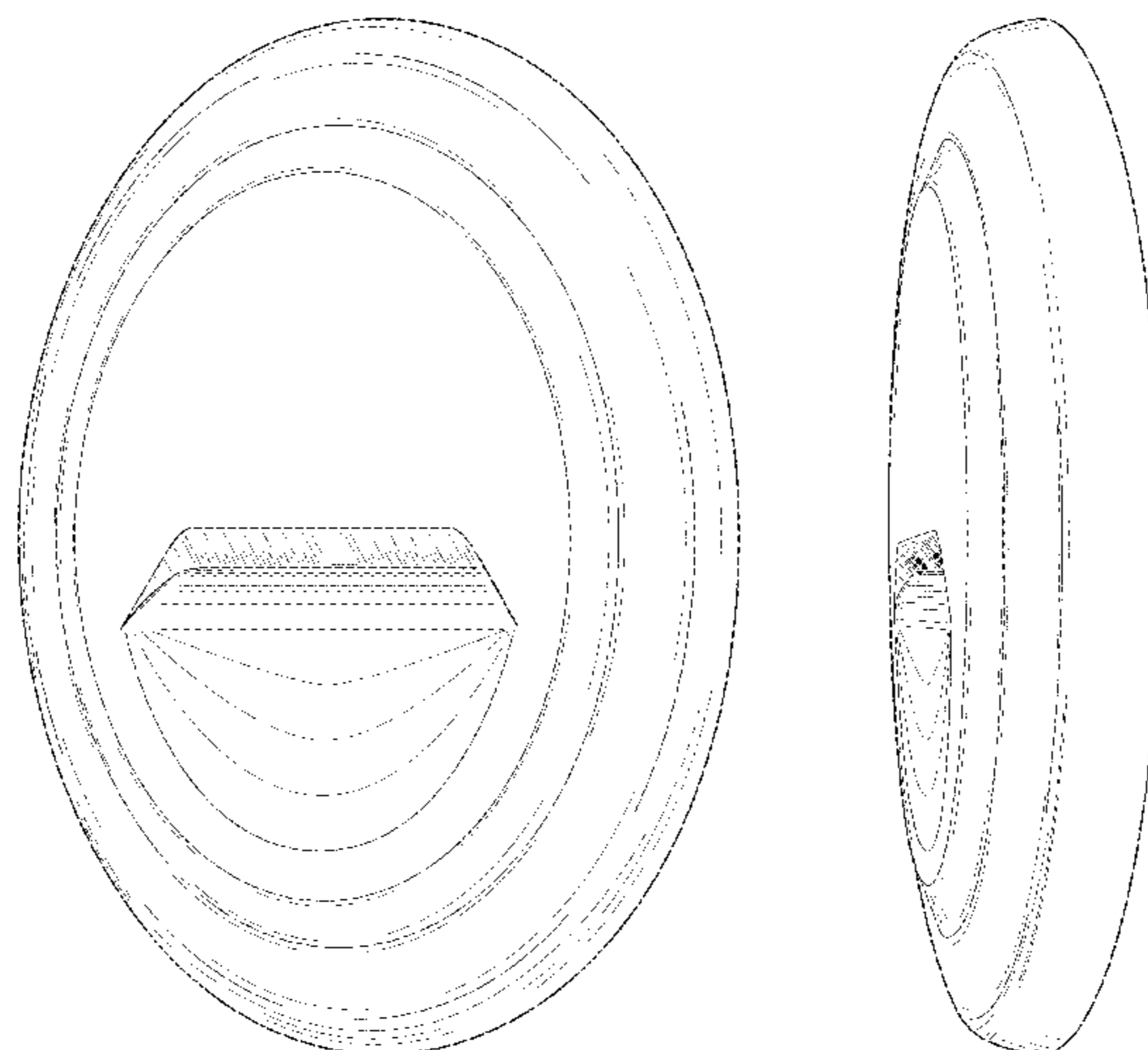


Fig. 1

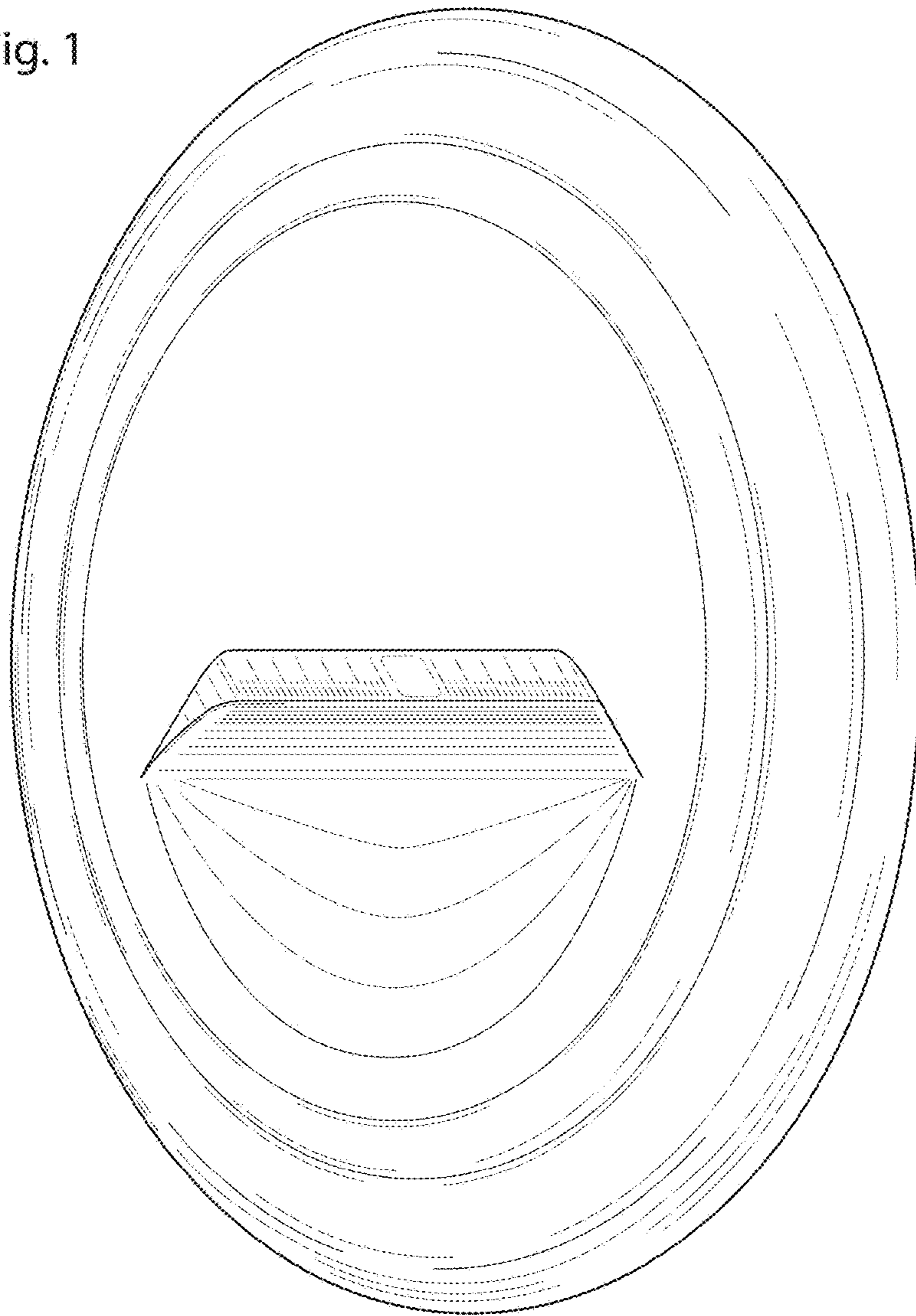


Fig. 2

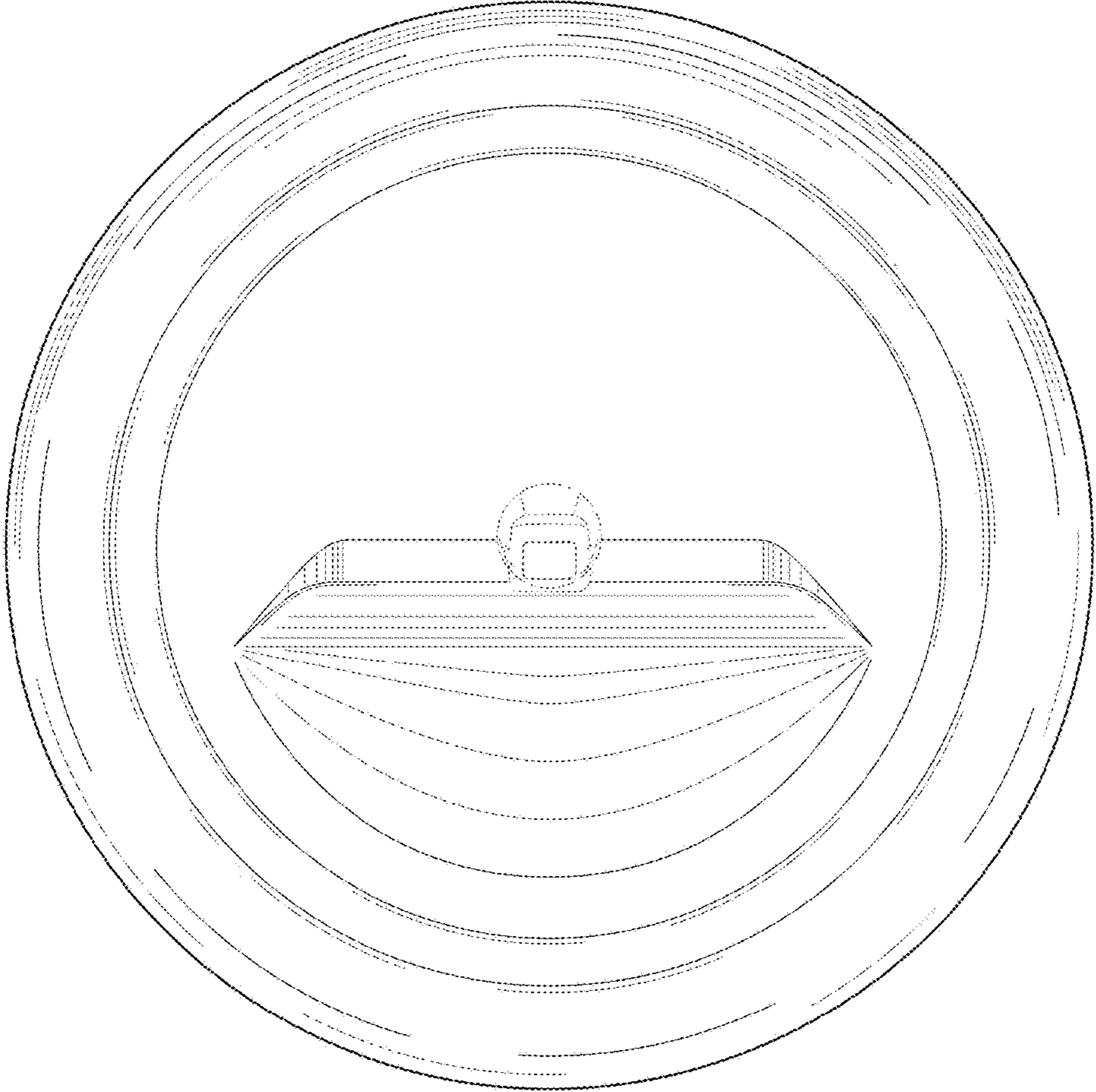


Fig. 3

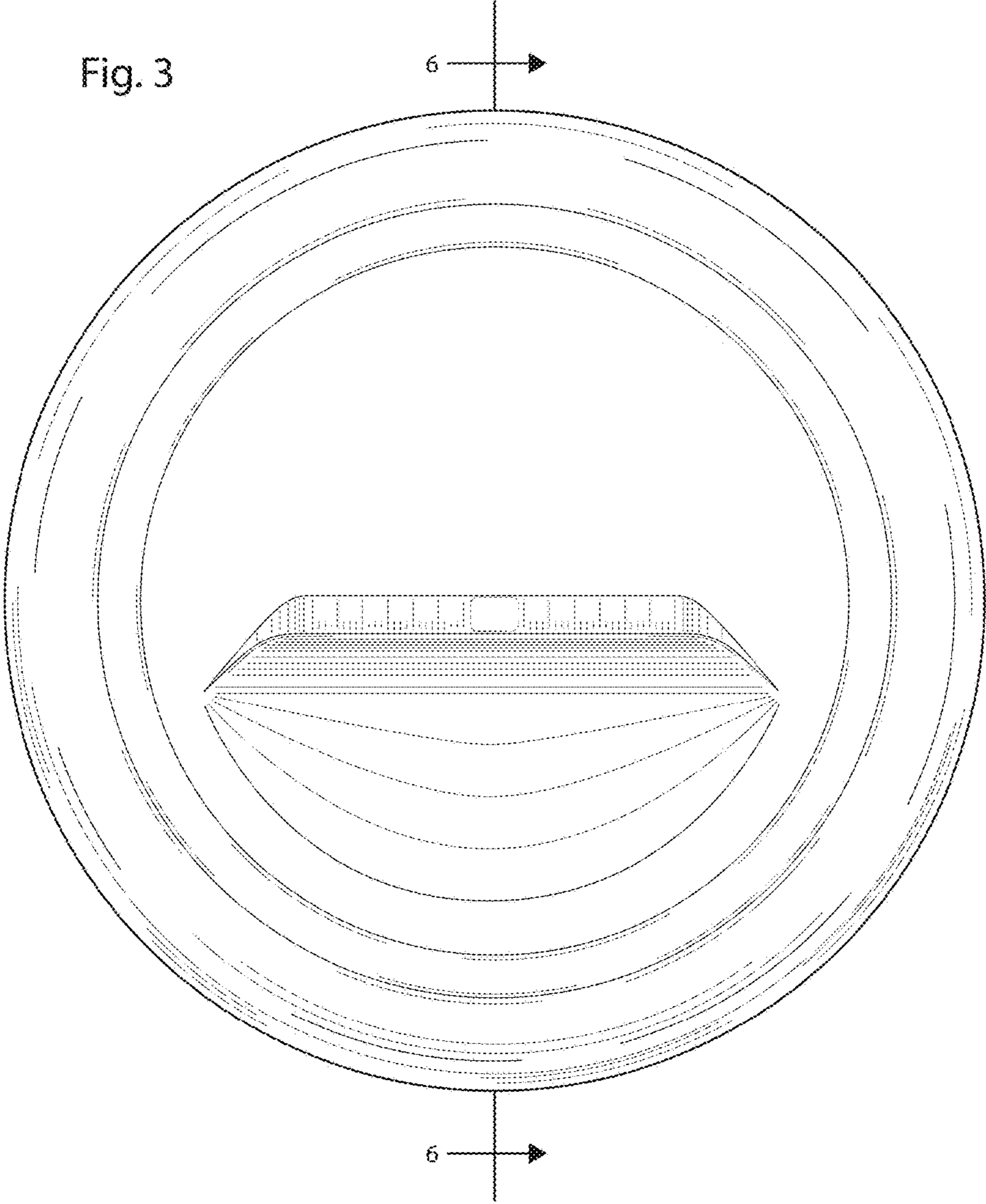


Fig. 4

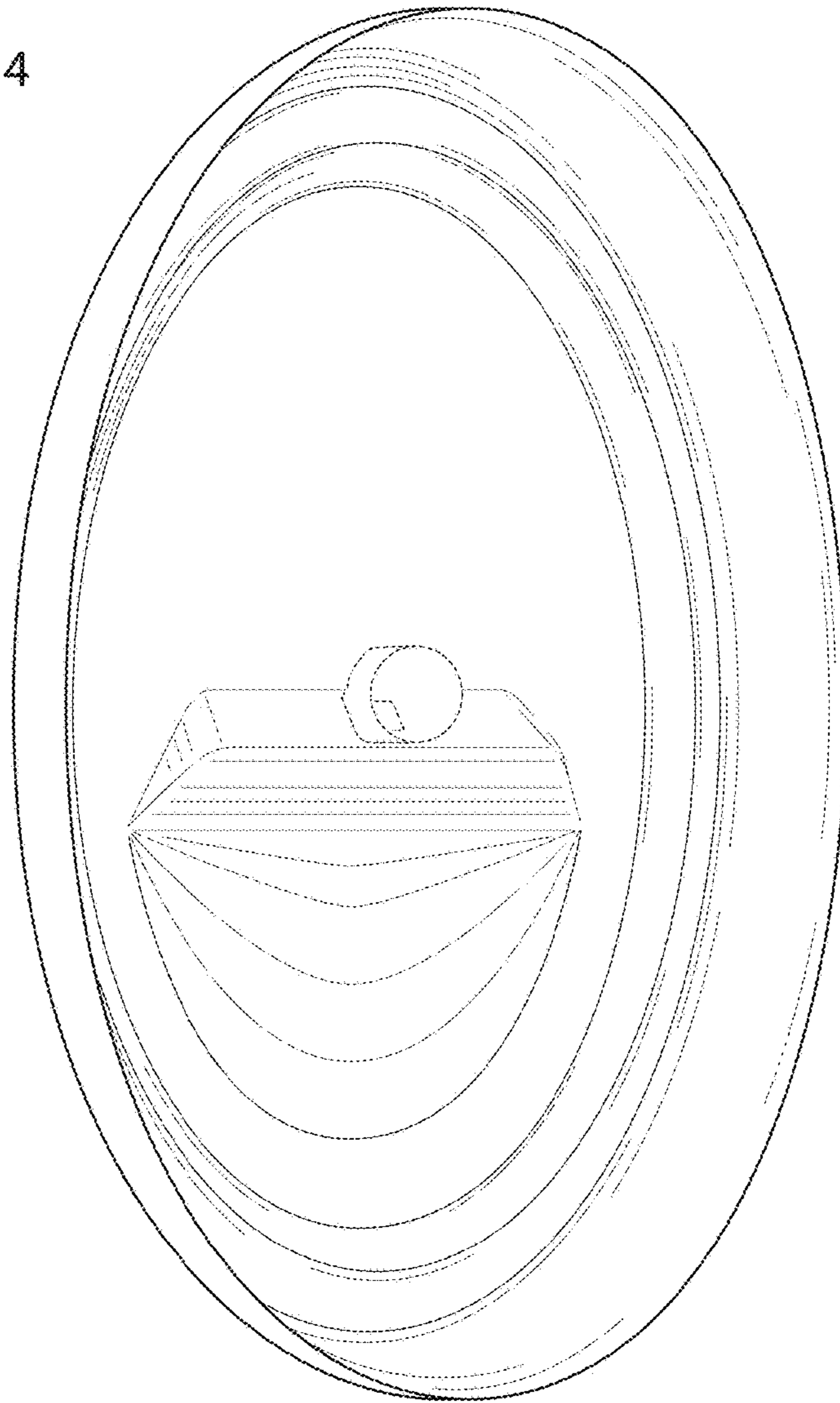


Fig. 5

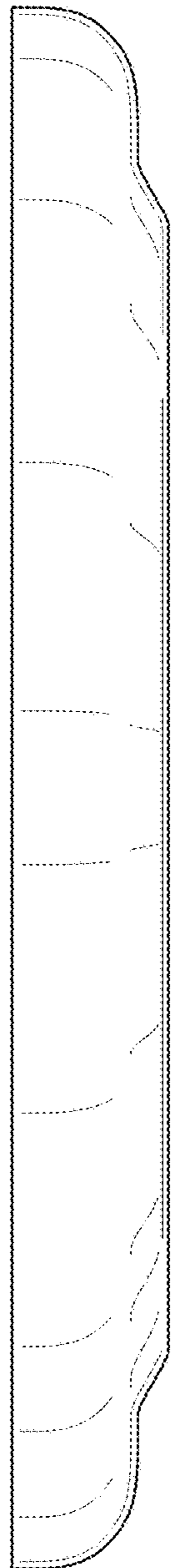


Fig. 6

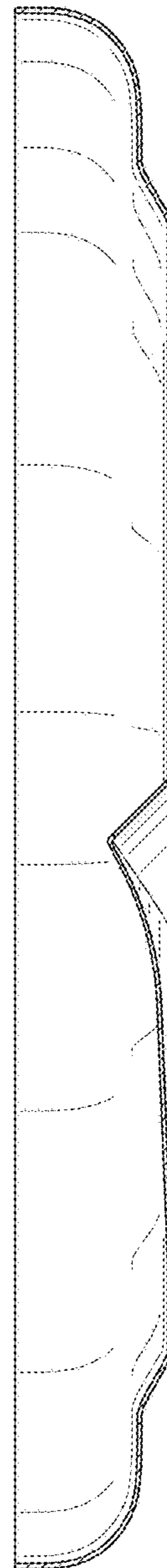


Fig. 7

