



US00D857576S

(12) **United States Design Patent** (10) **Patent No.:** **US D857,576 S**
Harriton et al. (45) **Date of Patent:** **** Aug. 27, 2019**

(54) **VEHICLE SKID PLATE**

FOREIGN PATENT DOCUMENTS

(71) Applicant: **StreetCar ORV LLC**, Wixom, MI (US)

CN 302109544 * 10/2012
CN 304122368 * 5/2017

(72) Inventors: **David Harriton**, Missoula, MT (US);
Mark Stouffer, Oakland Township, MI (US)

OTHER PUBLICATIONS

(73) Assignee: **STREETCAR ORV LLC**, Wixom, MI (US)

American Expedition Vehicles—skid plate—Facebook <https://www.facebook.com/aevericles/photos/a.277001619034263/2029655940435480/?type=3&theater> Dec. 6, 2018 (Year: 2018).*

(**) Term: **15 Years**

* cited by examiner

Primary Examiner — Leanne Was-Englehart

(21) Appl. No.: **29/624,340**

(74) *Attorney, Agent, or Firm* — Quinn IP Law

(22) Filed: **Oct. 31, 2017**

(57) **CLAIM**

We claim the ornamental design for a vehicle skid plate, as shown and described.

(51) **LOC (12) Cl.** **12-16**

DESCRIPTION

(52) **U.S. Cl.**

USPC **D12/196**

(58) **Field of Classification Search**

USPC D12/86, 90–92, 190, 196

CPC B60J 5/04; B60J 5/0412; B62D 21/00;

B62D 21/10; B62D 27/00; B62D 29/00;

B62D 25/20

See application file for complete search history.

FIG. 1 is a bottom, front and left side perspective view of a vehicle skid plate,

FIG. 2 is a bottom, front and right side perspective view thereof,

FIG. 3 is a top, right and rear perspective view thereof,

FIG. 4 is a bottom, front and left perspective view thereof,

FIG. 5 is a front elevation view thereof,

FIG. 6 is a rear elevation view thereof,

FIG. 7 is a left side elevation view thereof,

FIG. 8 is a right side elevation view thereof,

FIG. 9 is a top plan view thereof; and,

FIG. 10 is a bottom plan view thereof.

All broken lines illustrate portions of the vehicle skid plate to which the design is applied that form no part of the claim.

(56) **References Cited**

U.S. PATENT DOCUMENTS

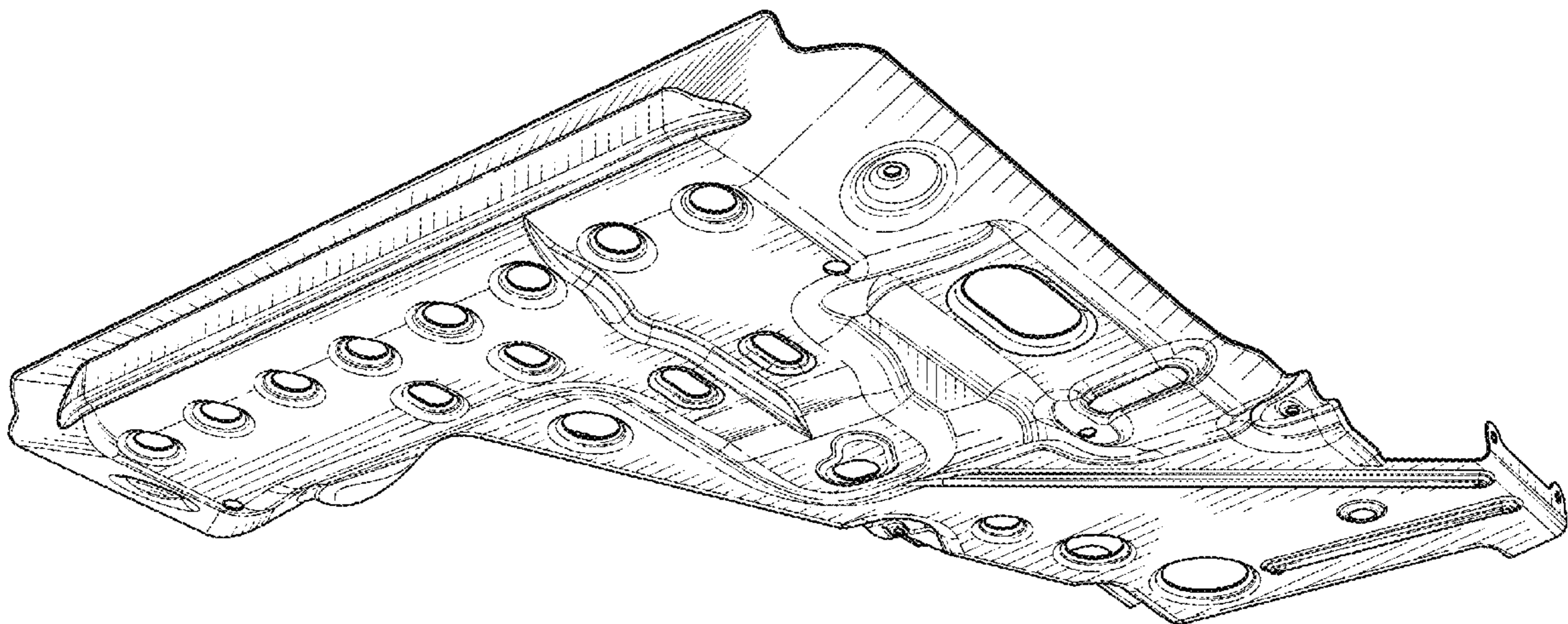
D476,934 S * 7/2003 Murkett D12/196

D488,415 S * 4/2004 Gough D12/190

D769,163 S * 10/2016 Platto D12/196

2015/0314824 A1 * 11/2015 LeBreton B62K 19/34
280/304.3

1 Claim, 7 Drawing Sheets



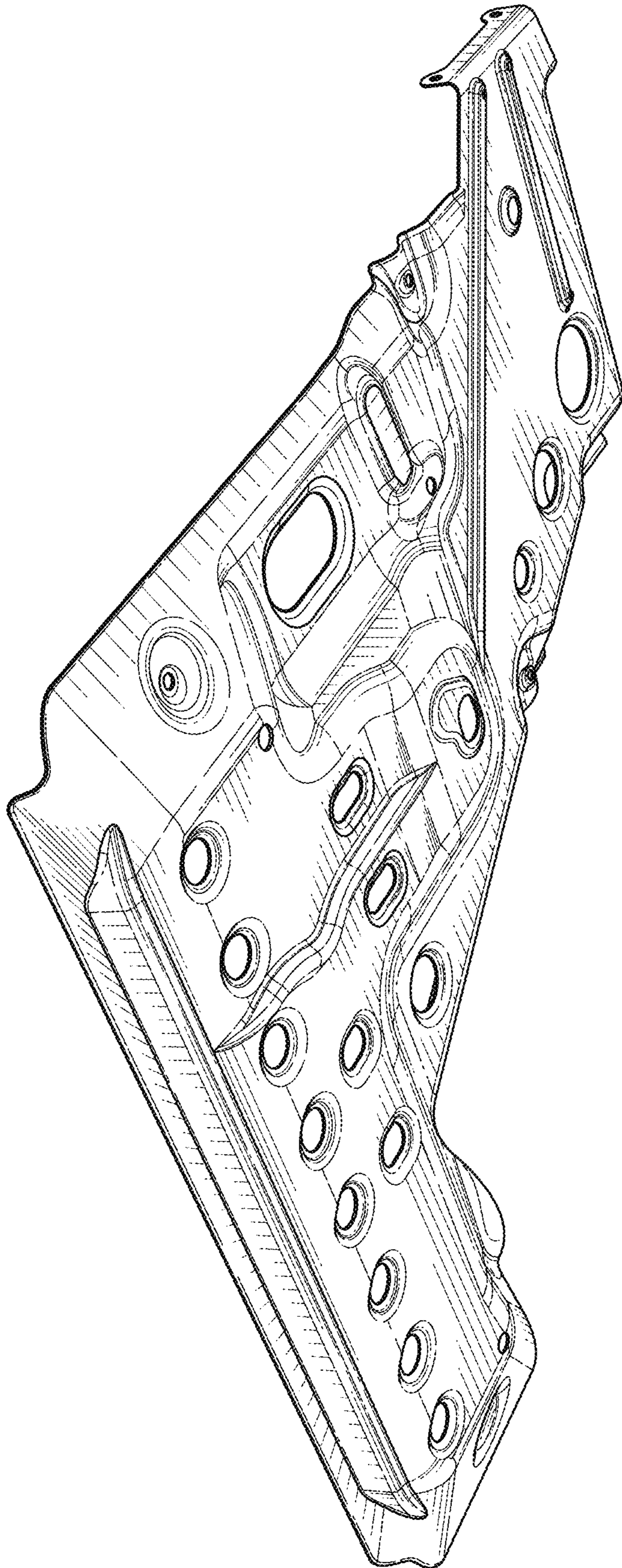


FIG. 1

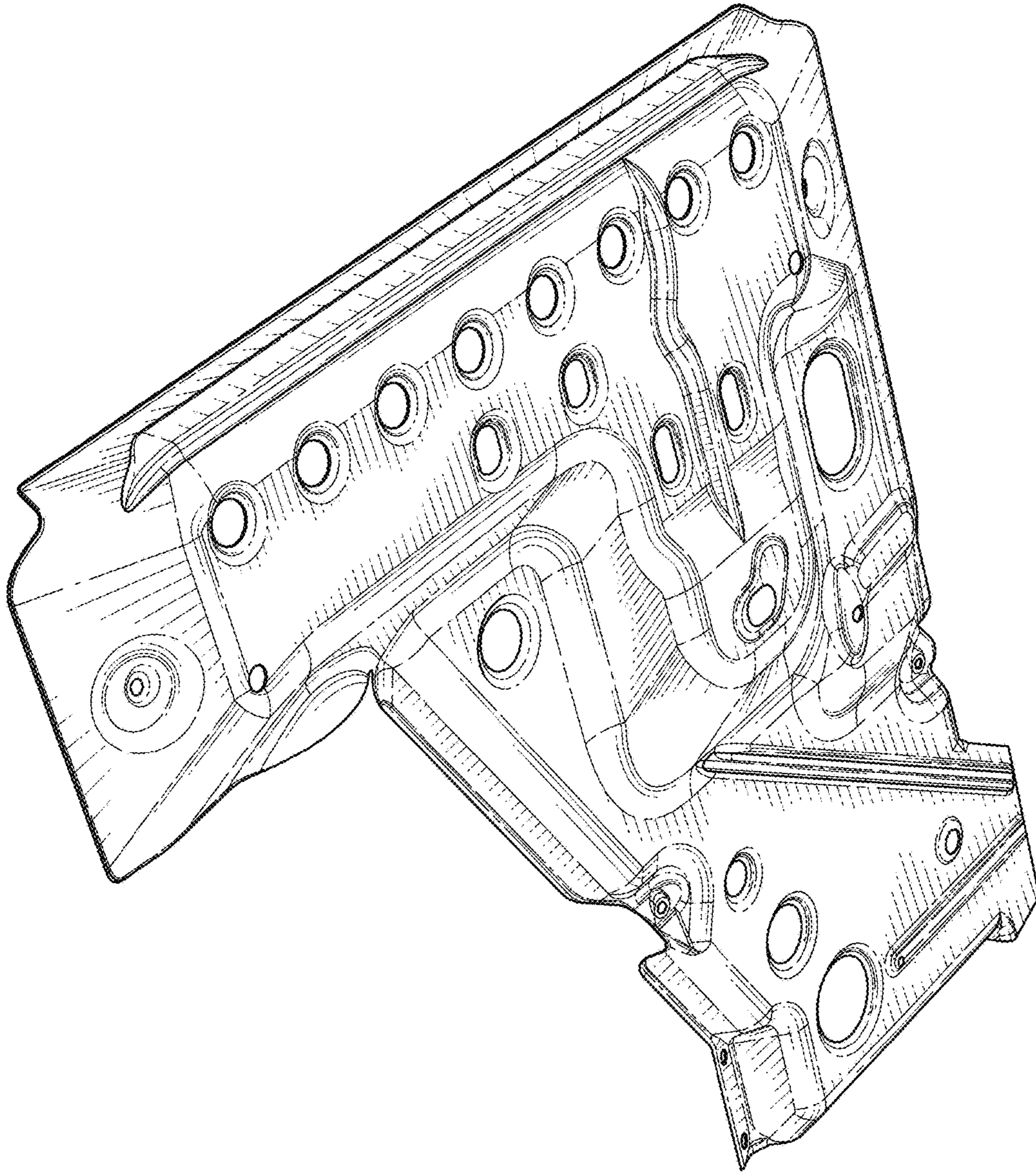


FIG. 2

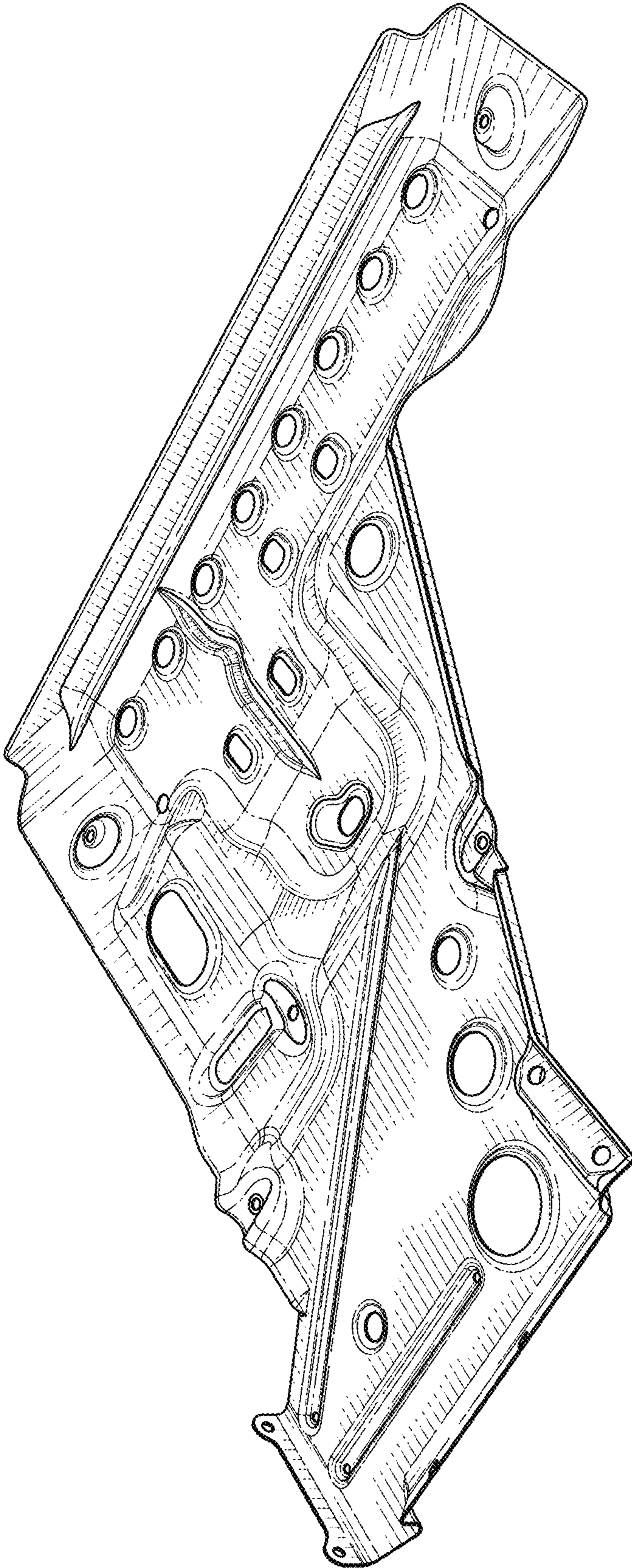


FIG. 3

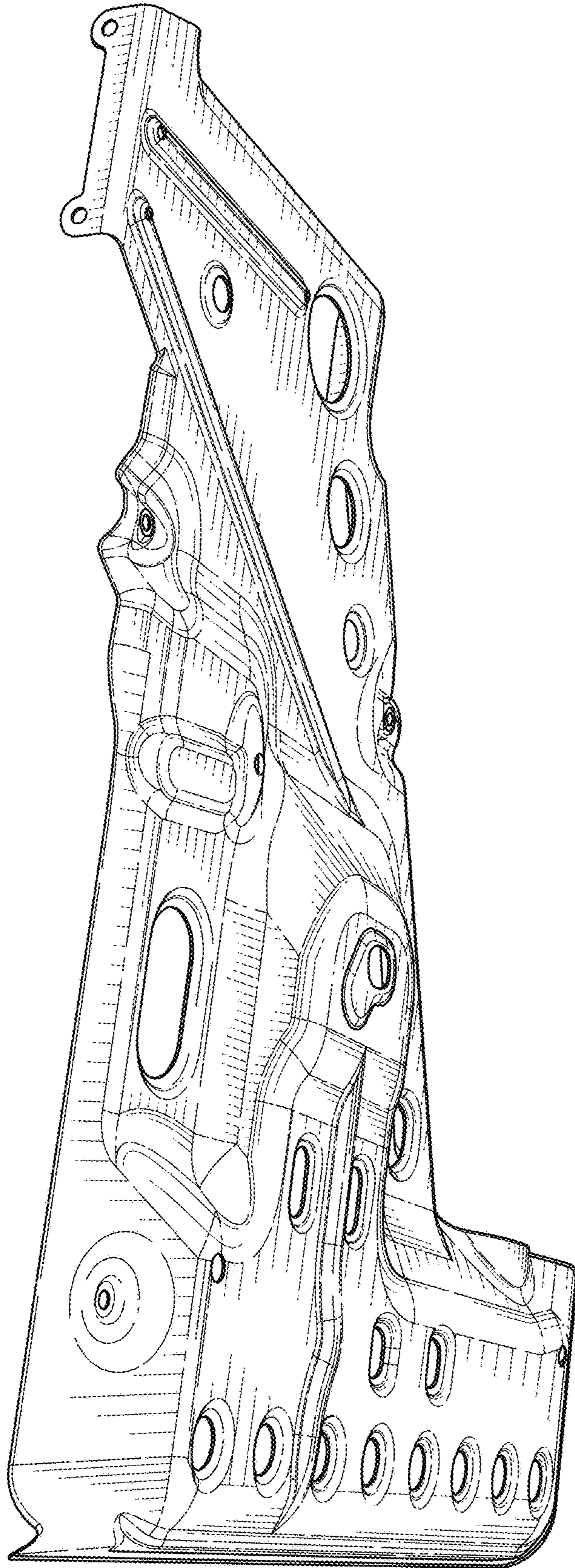


FIG. 4

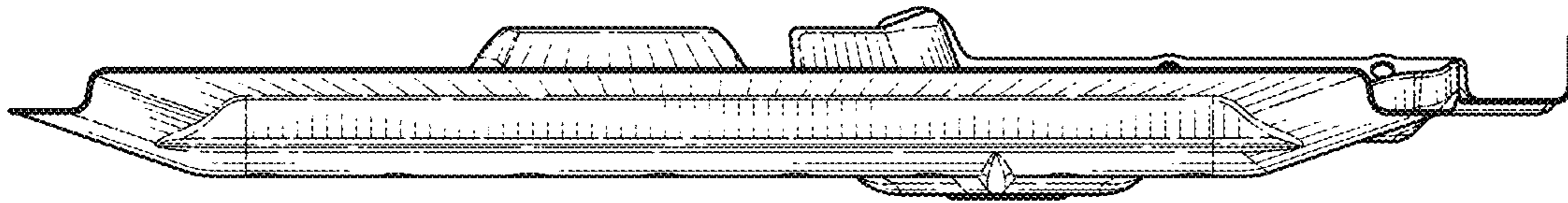


FIG. 5

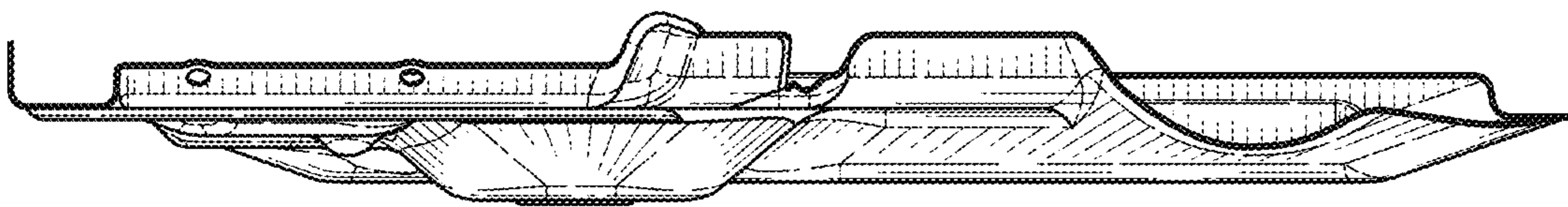


FIG. 6

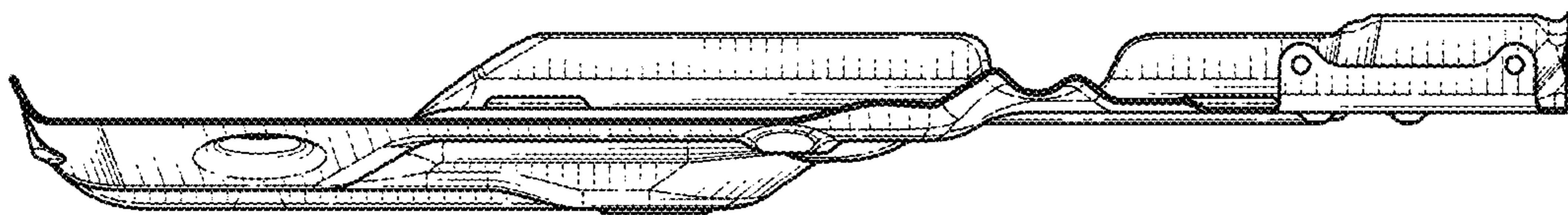


FIG. 7

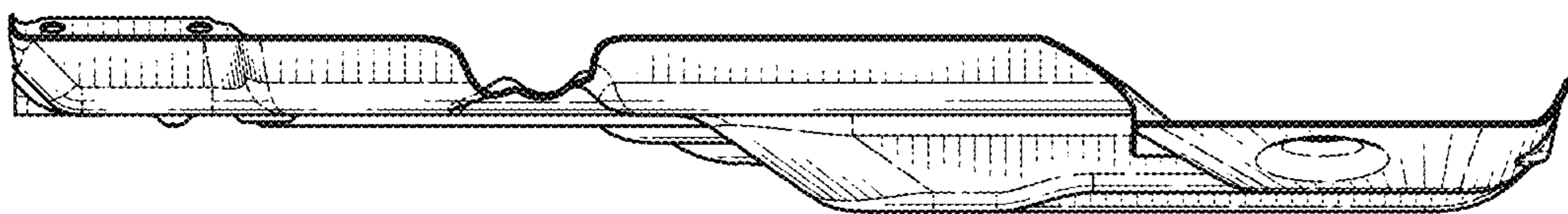


FIG. 8

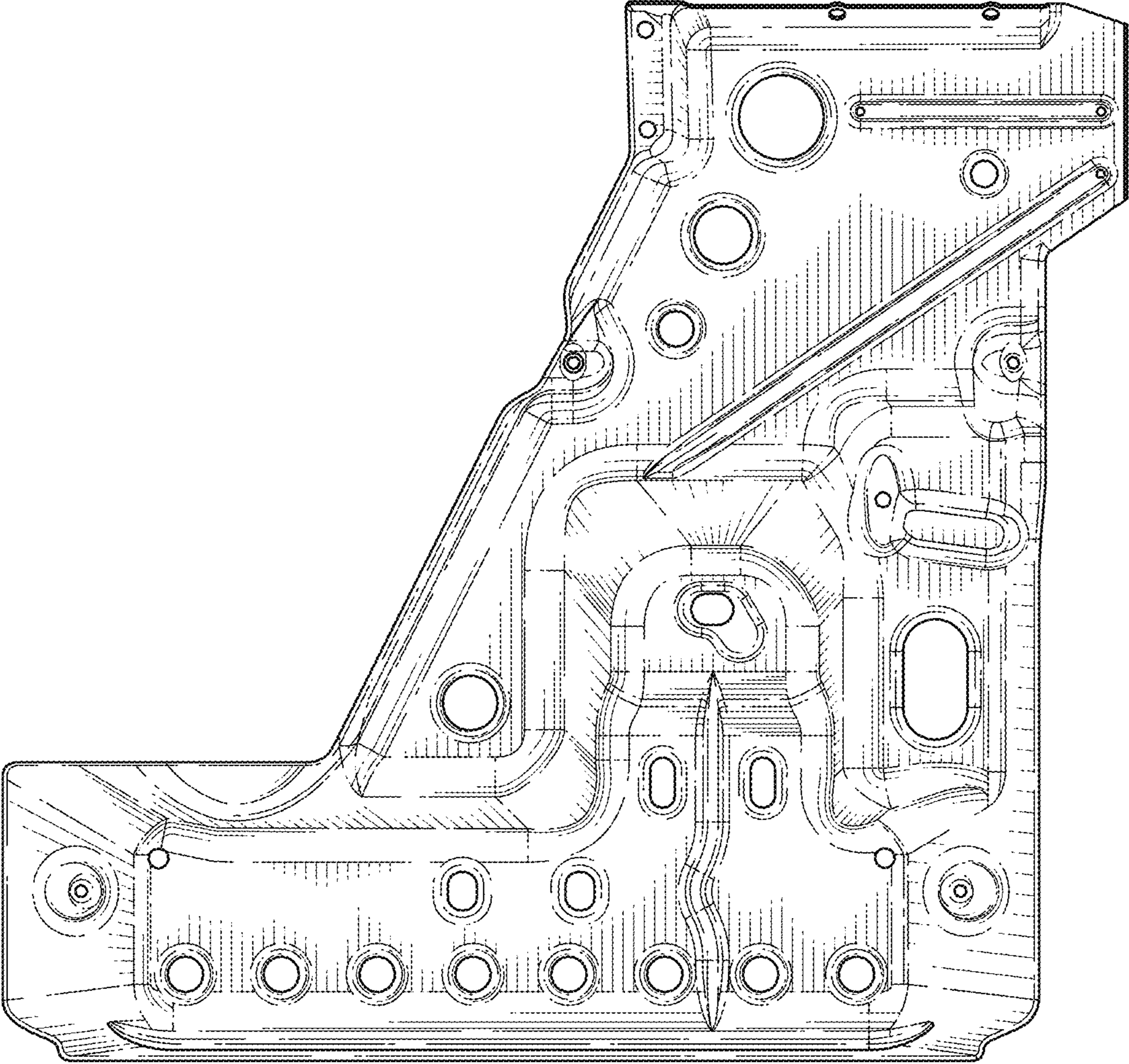


FIG. 9

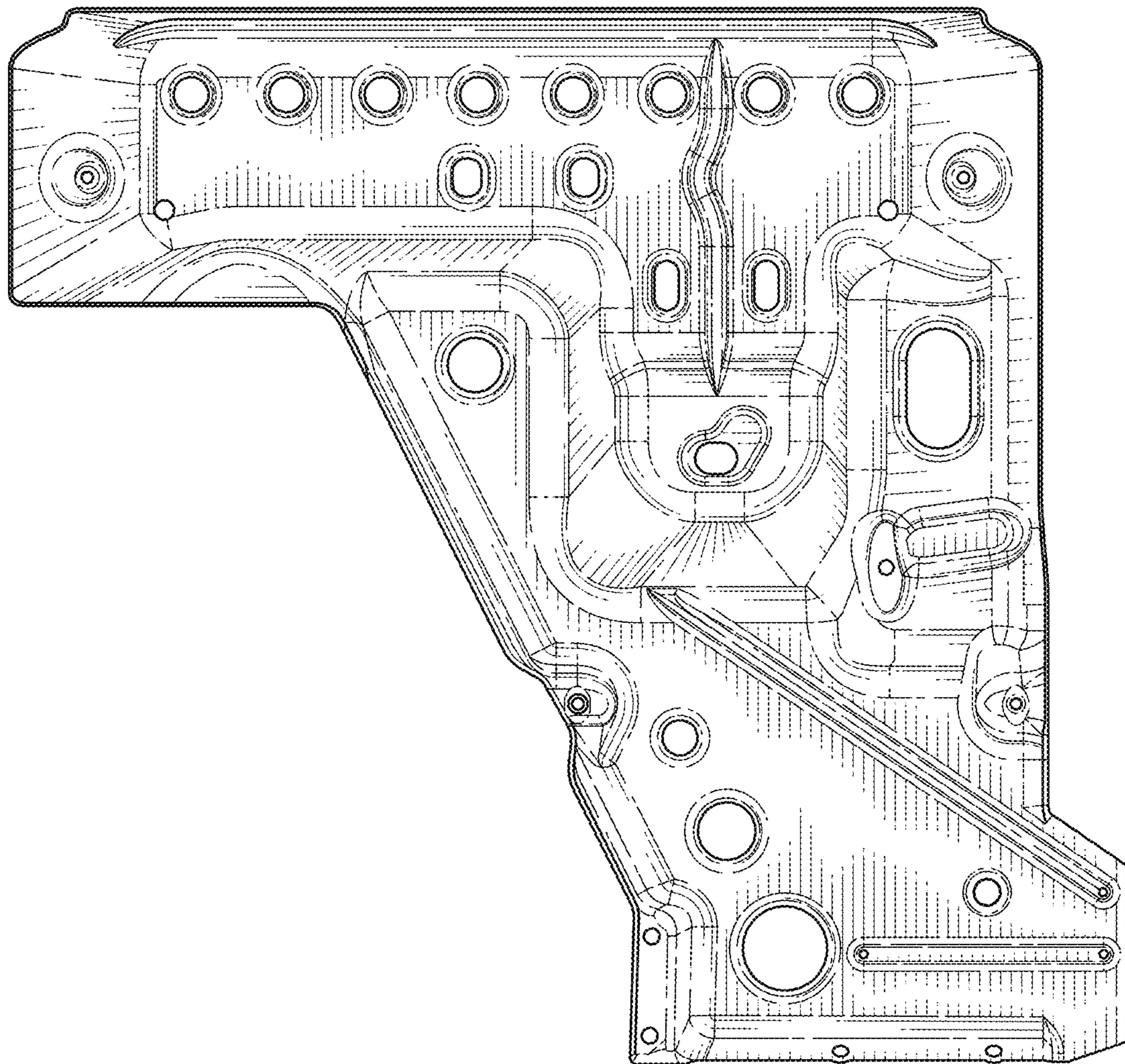


FIG. 10