



US00D857575S

(12) **United States Design Patent**
Harriton et al.

(10) **Patent No.:** **US D857,575 S**

(45) **Date of Patent:** **** Aug. 27, 2019**

(54) **VEHICLE SKID PLATE**

(71) Applicant: **StreetCar ORV LLC**, Wixom, MI
(US)

(72) Inventors: **David Harriton**, Missoula, MT (US);
Mark Stouffer, Oakland Township, MI
(US)

(73) Assignee: **STREETCAR ORV LLC**, Wixom, MI
(US)

(**) Term: **15 Years**

(21) Appl. No.: **29/624,337**

(22) Filed: **Oct. 31, 2017**

(51) **LOC (12) Cl.** **12-16**

(52) **U.S. Cl.**
USPC **D12/196**

(58) **Field of Classification Search**
USPC D12/86, 90-92, 190, 196
CPC B60J 5/04; B60J 5/0412; B62D 21/00;
B62D 21/10; B62D 27/00; B62D 29/00;
B62D 25/20
See application file for complete search history.

(56) **References Cited**

U.S. PATENT DOCUMENTS

D297,229 S * 8/1988 Sermersheim D12/190
D476,934 S * 7/2003 Murkett D12/196
D488,415 S * 4/2004 Gough D12/190

D623,993 S * 9/2010 Miyazawa D12/169
D623,994 S * 9/2010 Miyazawa D12/169
D769,163 S * 10/2016 Platto D12/196
D823,205 S * 7/2018 Ihns D12/190

OTHER PUBLICATIONS

AEV Conversions <https://www.aev-conversions.com/zr2-bison/> Sep. 6, 2018 (Year: 2018).*
American Expedition Vehicles Facebook skid plate <https://www.facebook.com/aevehicles/photos/a.277001619034263/2029655940435480/?type=3&theater> Dec. 6, 2018 (Year: 2018).*

* cited by examiner

Primary Examiner — Leanne Was-Englehart

(74) *Attorney, Agent, or Firm* — Quinn IP Law

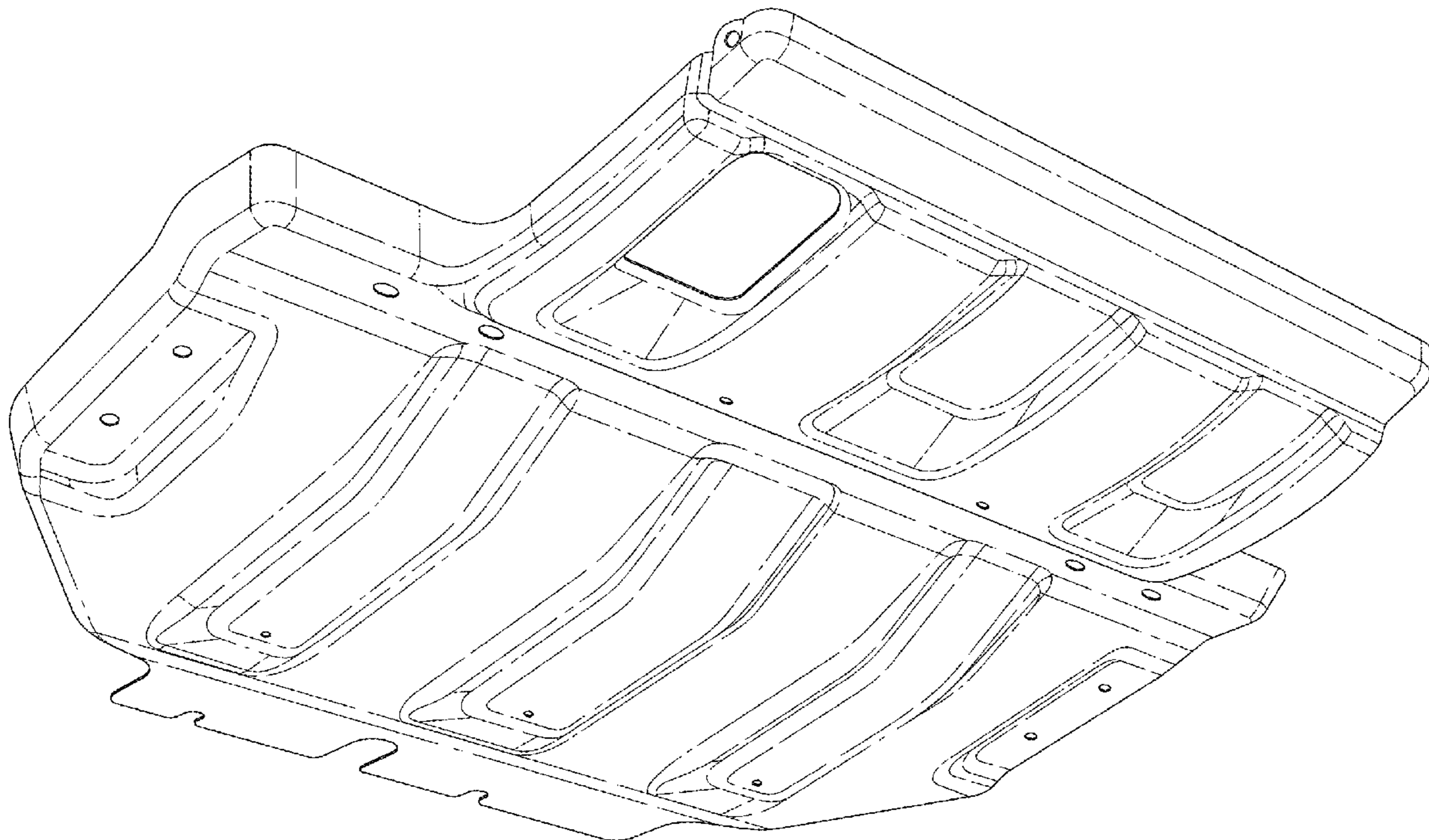
(57) **CLAIM**

We claim the ornamental design for a vehicle skid plate, as shown and described.

DESCRIPTION

FIG. 1 is a top, right, and rear perspective view of a vehicle skid plate,
FIG. 2 is a bottom, right, and front perspective view thereof,
FIG. 3 is a front elevation view thereof,
FIG. 4 is a rear elevation view thereof,
FIG. 5 is a bottom plan view thereof,
FIG. 6 is a top plan view thereof,
FIG. 7 is a right elevation view thereof; and,
FIG. 8 is a left elevation view thereof.
All broken lines illustrate portions of the vehicle skid plate to which the design is applied that form no part of the claim.

1 Claim, 6 Drawing Sheets



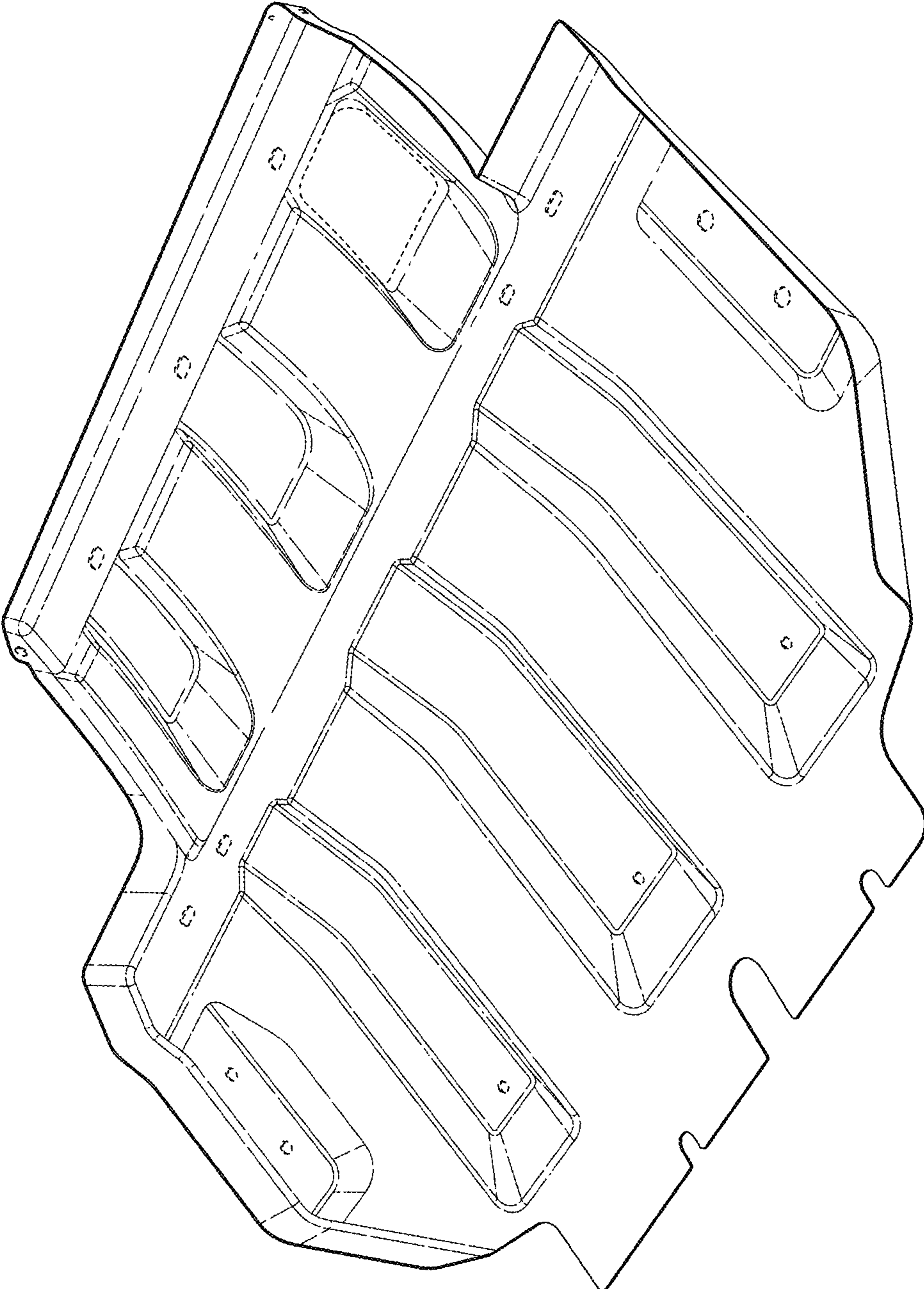


FIG. 1

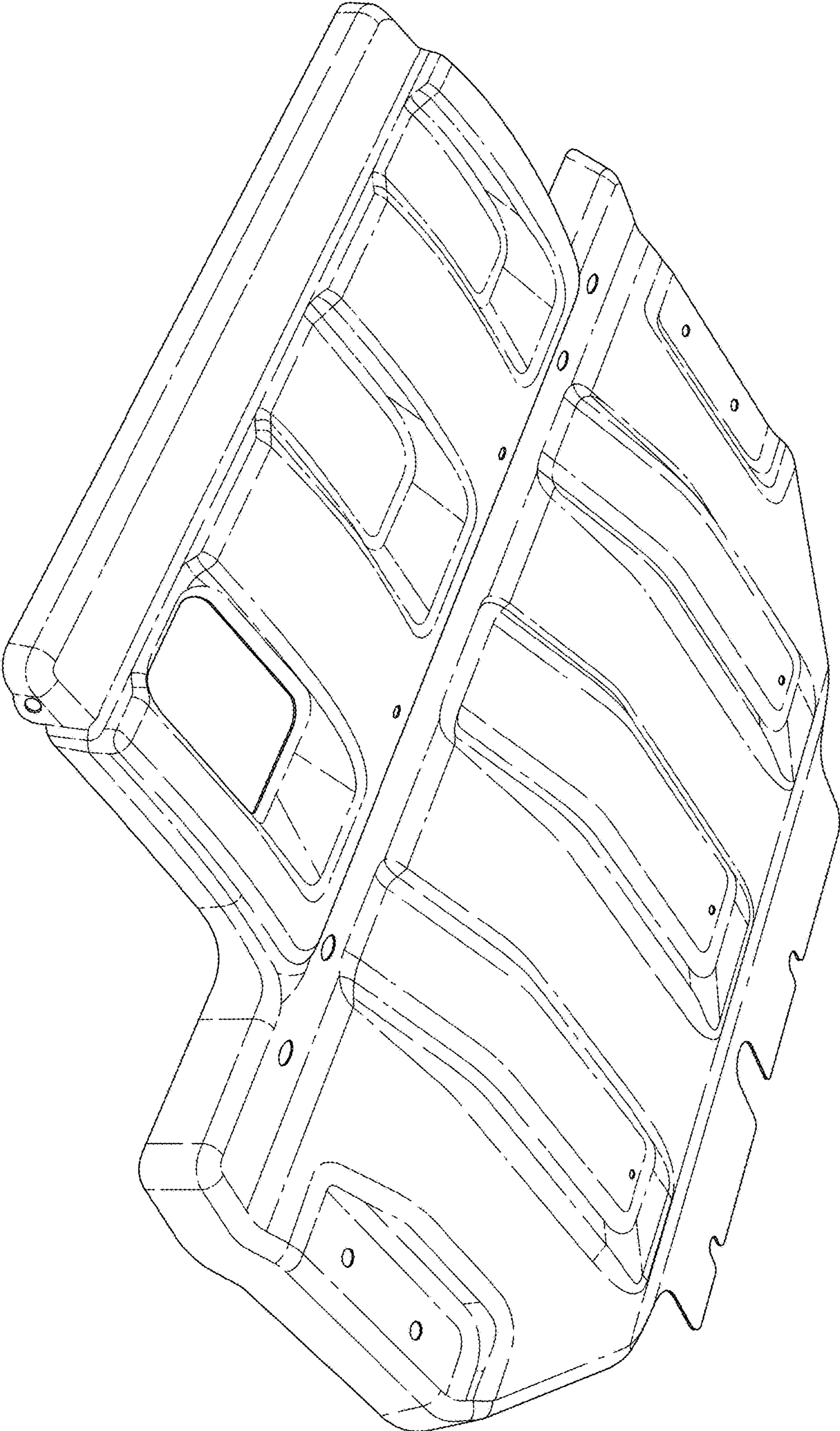


FIG. 2

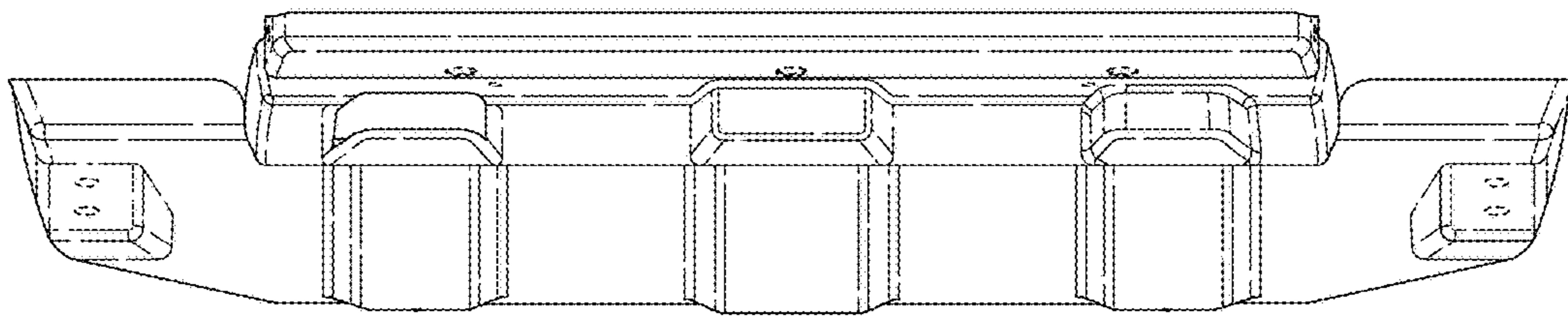


FIG. 3

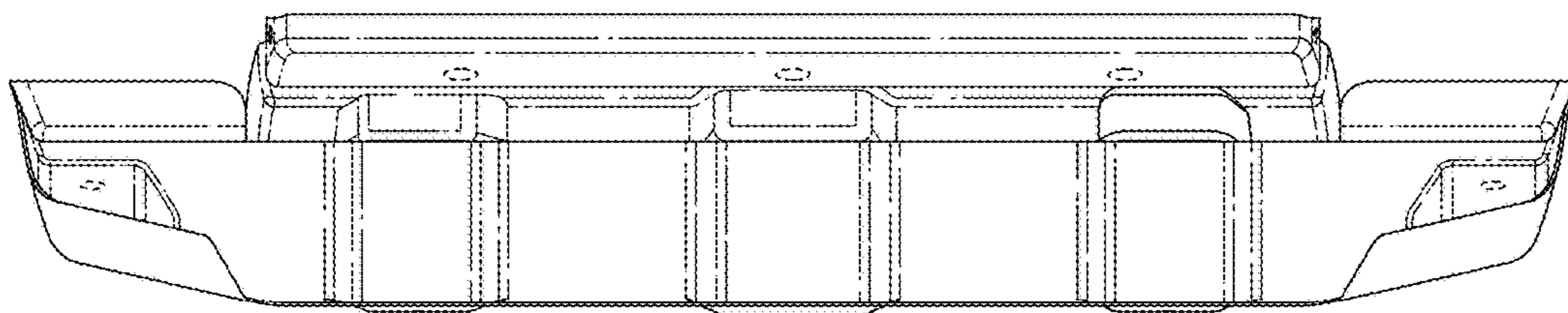


FIG. 4

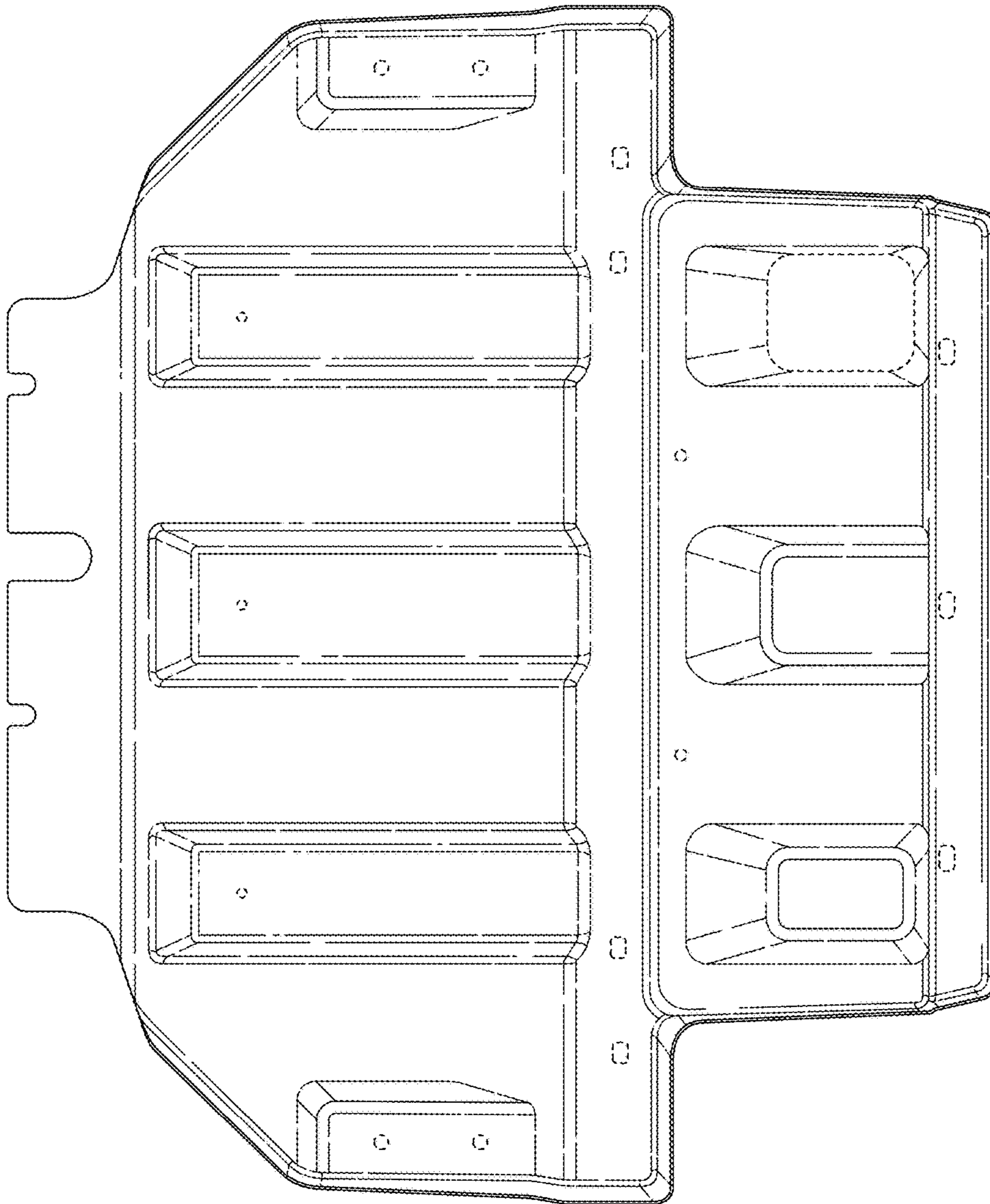


FIG. 5

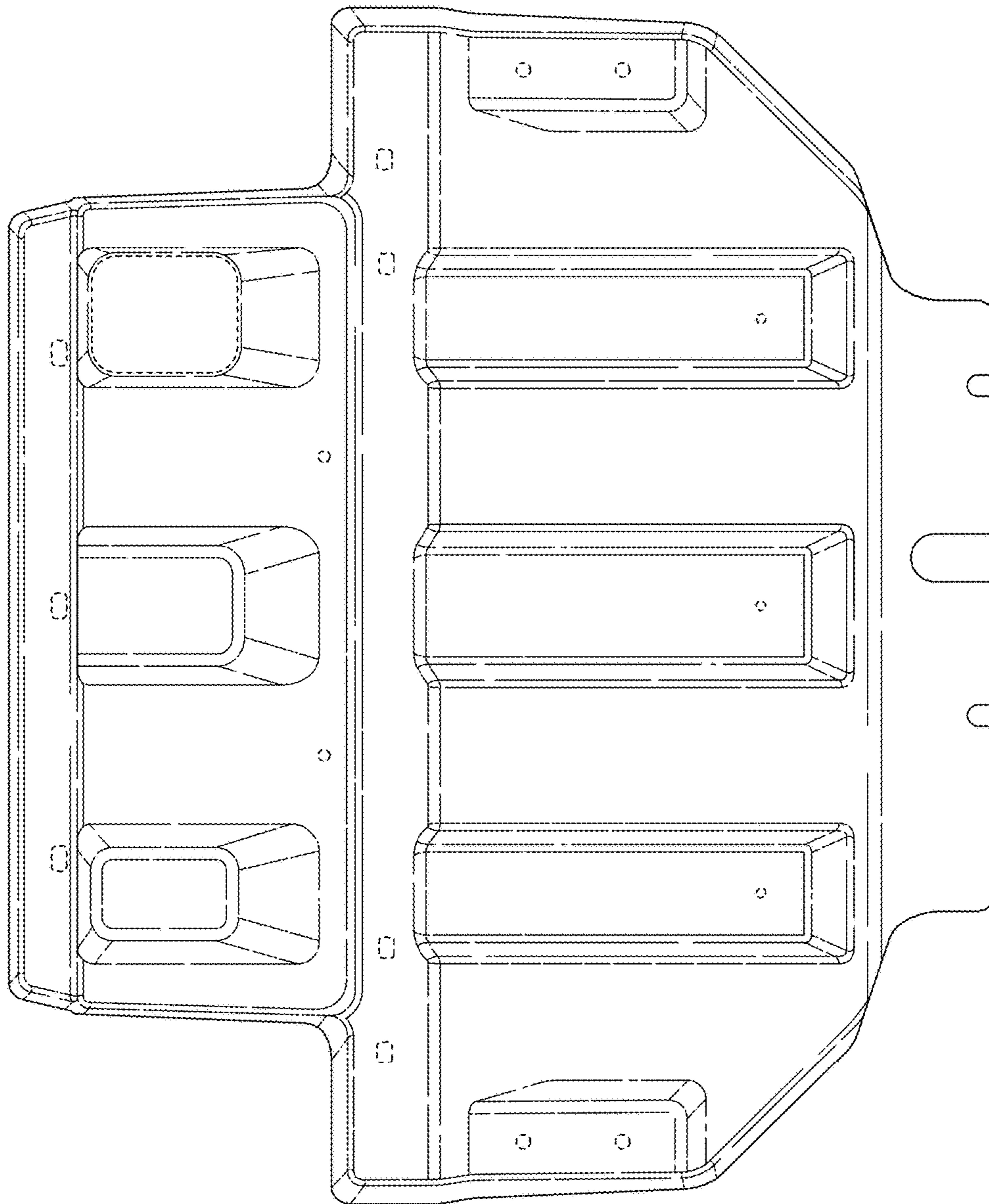


FIG. 6

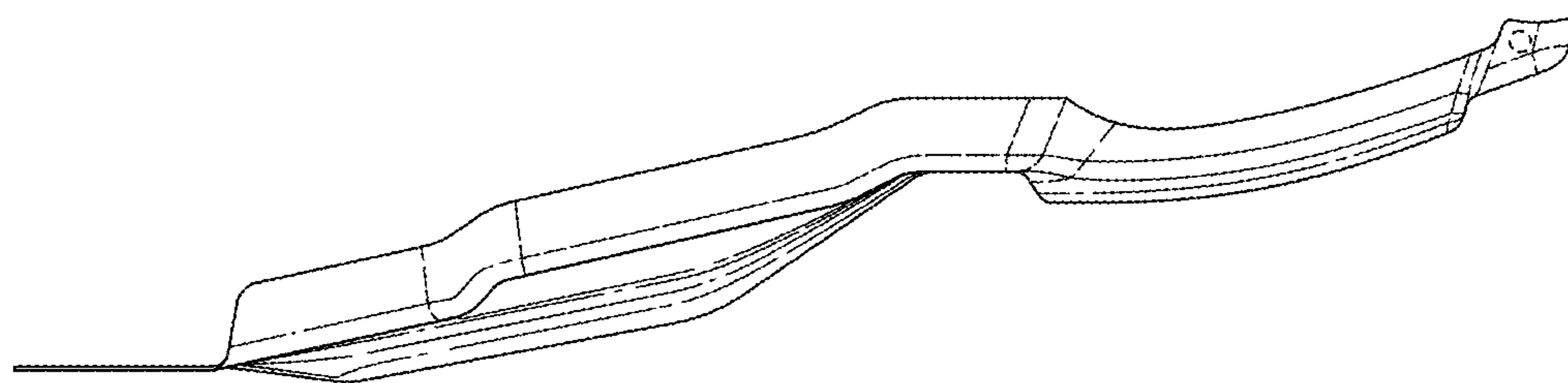


FIG. 7

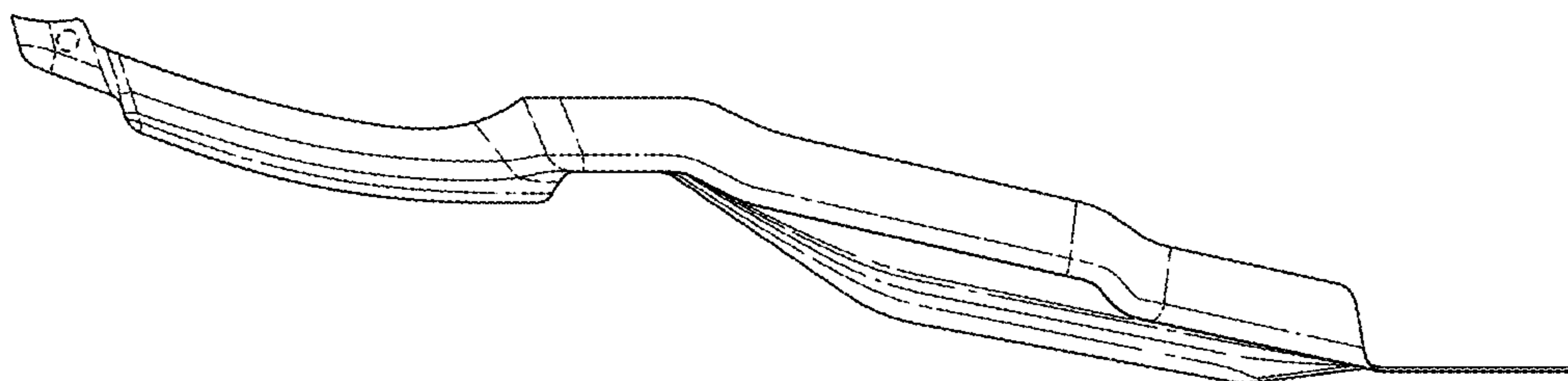


FIG. 8