



US00D857574S

(12) **United States Design Patent** (10) **Patent No.:** **US D857,574 S**
Shibata (45) **Date of Patent:** **** Aug. 27, 2019**

(54) **INSTRUMENT PANEL FOR AN AUTOMOBILE**

(71) Applicant: **Subaru Corporation**, Tokyo (JP)
(72) Inventor: **Seima Shibata**, Tokyo (JP)
(73) Assignee: **Subaru Corporation**, Tokyo (JP)
(**) Term: **15 Years**

(21) Appl. No.: **29/612,337**
(22) Filed: **Jul. 31, 2017**

(30) **Foreign Application Priority Data**
Jan. 31, 2017 (JP) 2017-001635
(51) **LOC (12) Cl.** **12-16**
(52) **U.S. Cl.**
USPC **D12/192**
(58) **Field of Classification Search**
USPC D12/192, 415, 114, 345; D15/17, 28;
D10/46, 98, 102-103, 122-127; D23/324
CPC B60H 1/34; B60H 1/3407; B60H 1/3414;
B60H 1/3421; B60H 1/3428; B60H
1/3435; B60H 1/3442; B60H 1/345;
B60H 1/3457; B60H 2001/3464; B60H
2001/3471; B60H 2001/3478; B60H
2001/3485

See application file for complete search history.

(56) **References Cited**

U.S. PATENT DOCUMENTS

D825,420 S * 8/2018 Boyes D12/192
D826,122 S * 8/2018 Yamamoto D12/192
D828,260 S * 9/2018 Takagi D12/192
D830,927 S * 10/2018 Tanaka D12/192
D833,351 S * 11/2018 Kosinski, II D12/192
D834,477 S * 11/2018 Kumagai D12/192
D836,510 S * 12/2018 Nakai D12/192
D837,117 S * 1/2019 Manzoni D12/192

* cited by examiner

Primary Examiner — Katrina A Betton
(74) *Attorney, Agent, or Firm* — Schiff Hardin LLP

(57) **CLAIM**
I claim the ornamental design for an instrument panel for an automobile thereof, as shown and described.

DESCRIPTION

FIG. 1 is a perspective view for an “instrument panel for an automobile” showing my new design, FIG. 2 is a front view thereof, FIG. 3 is a rear view thereof, FIG. 4 is a top view thereof, FIG. 5 is a bottom view thereof, FIG. 6 is a left-side view thereof; and, FIG. 7 is a right-side view thereof.
In the drawings, the portion of the instrument panel shown in lighter gray scale represents environmental subject matter that forms no part of the claimed design.

1 Claim, 7 Drawing Sheets

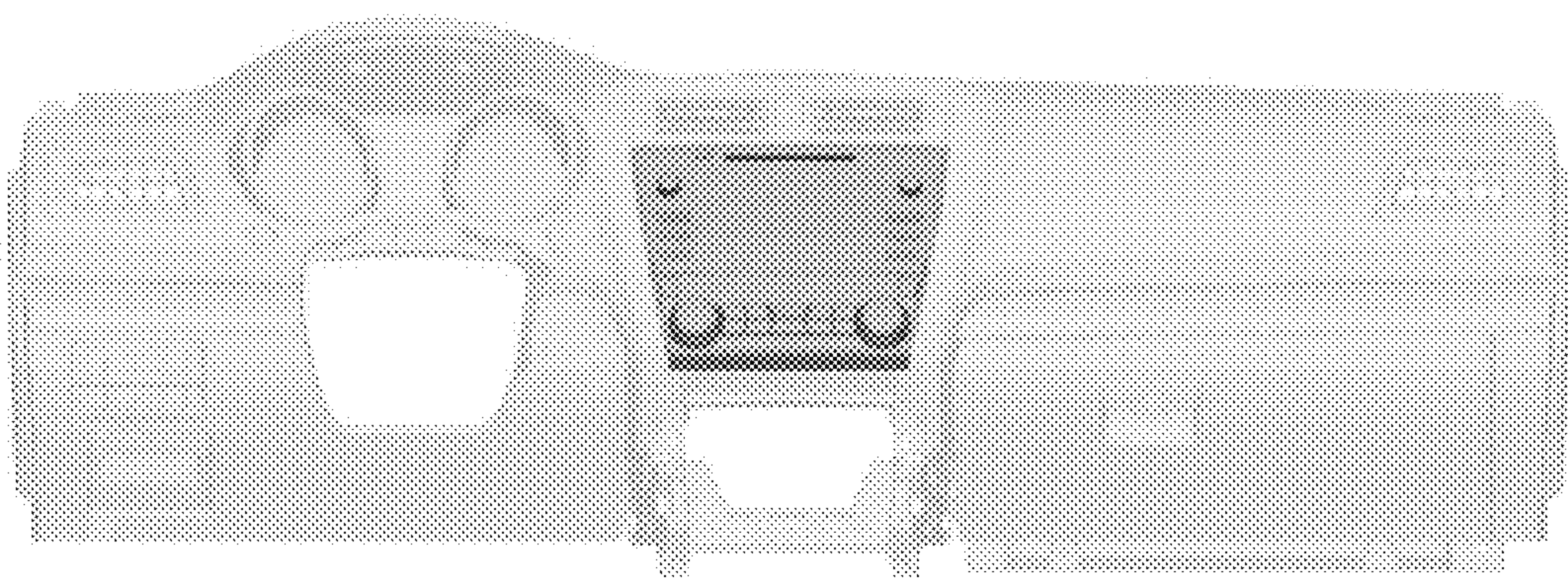


Fig. 1

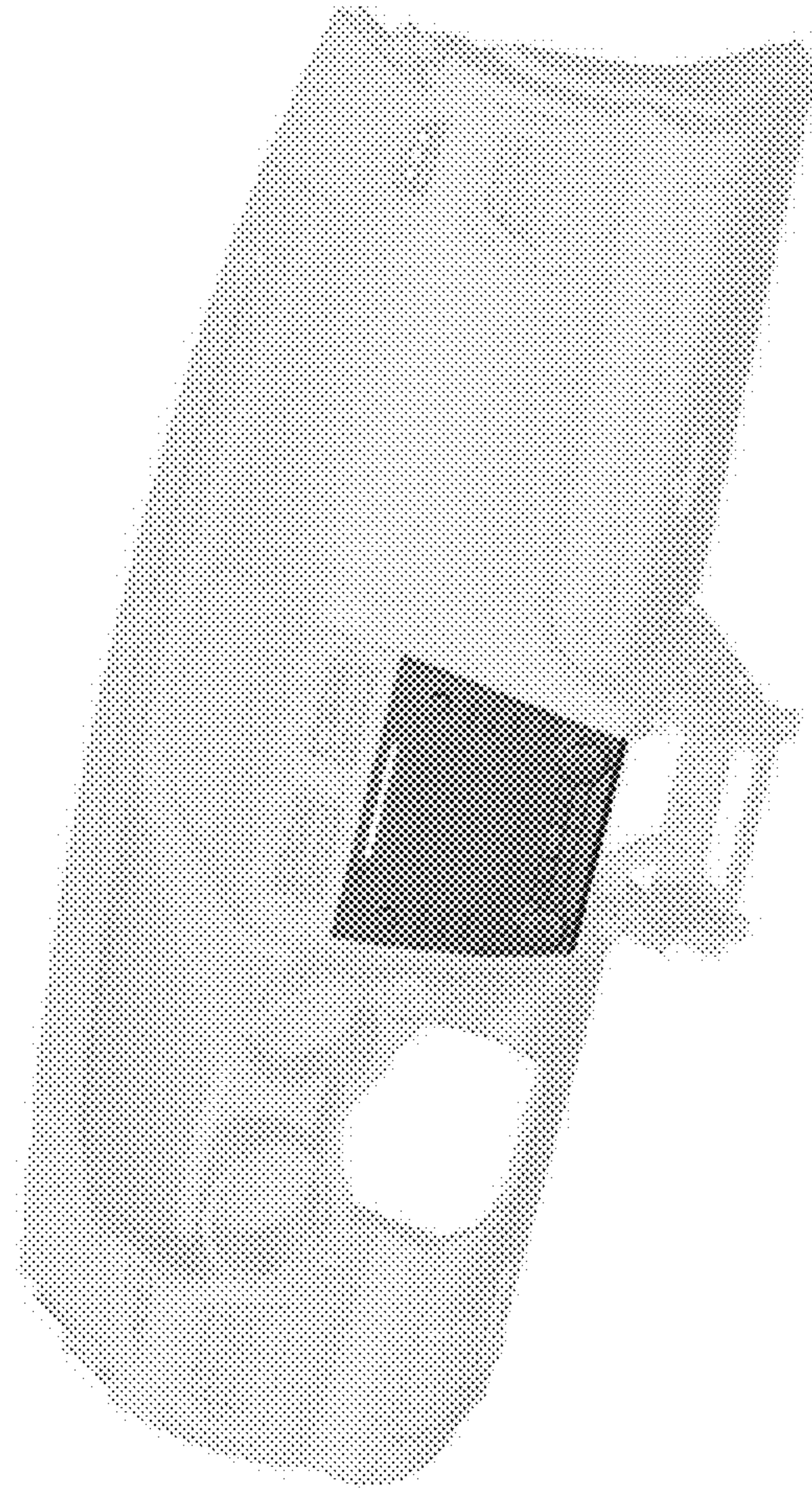


Fig. 2

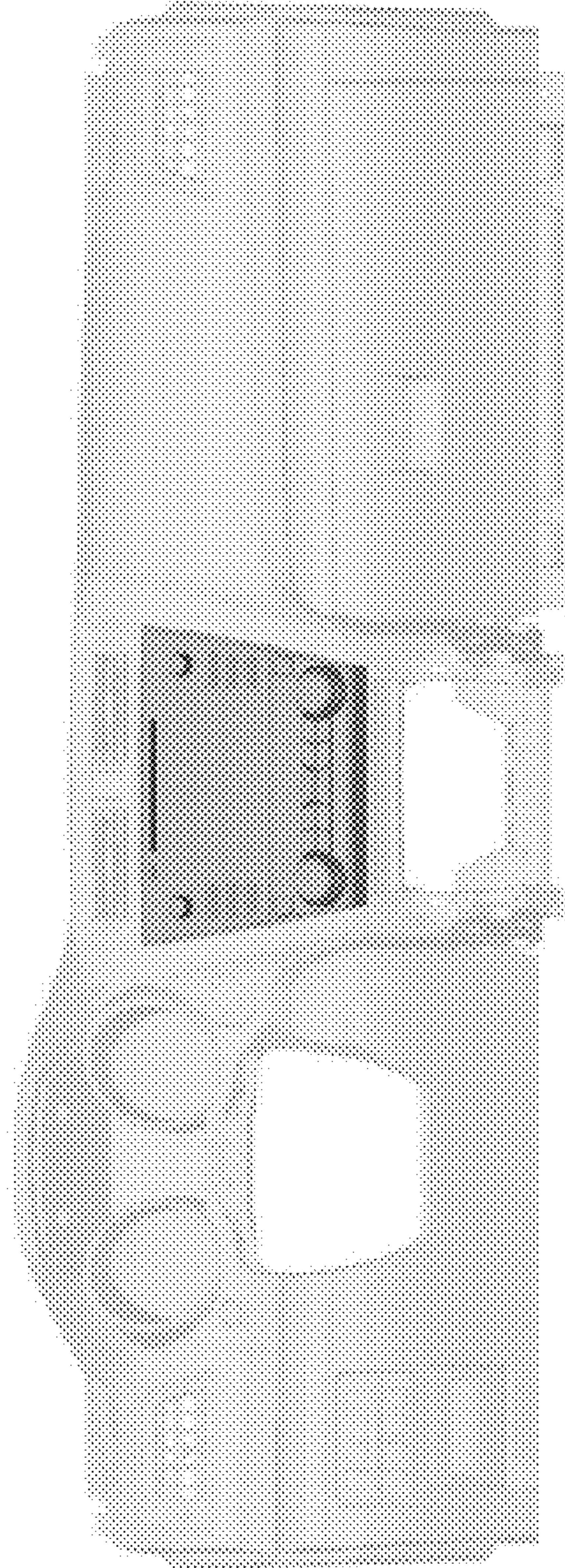


Fig. 3

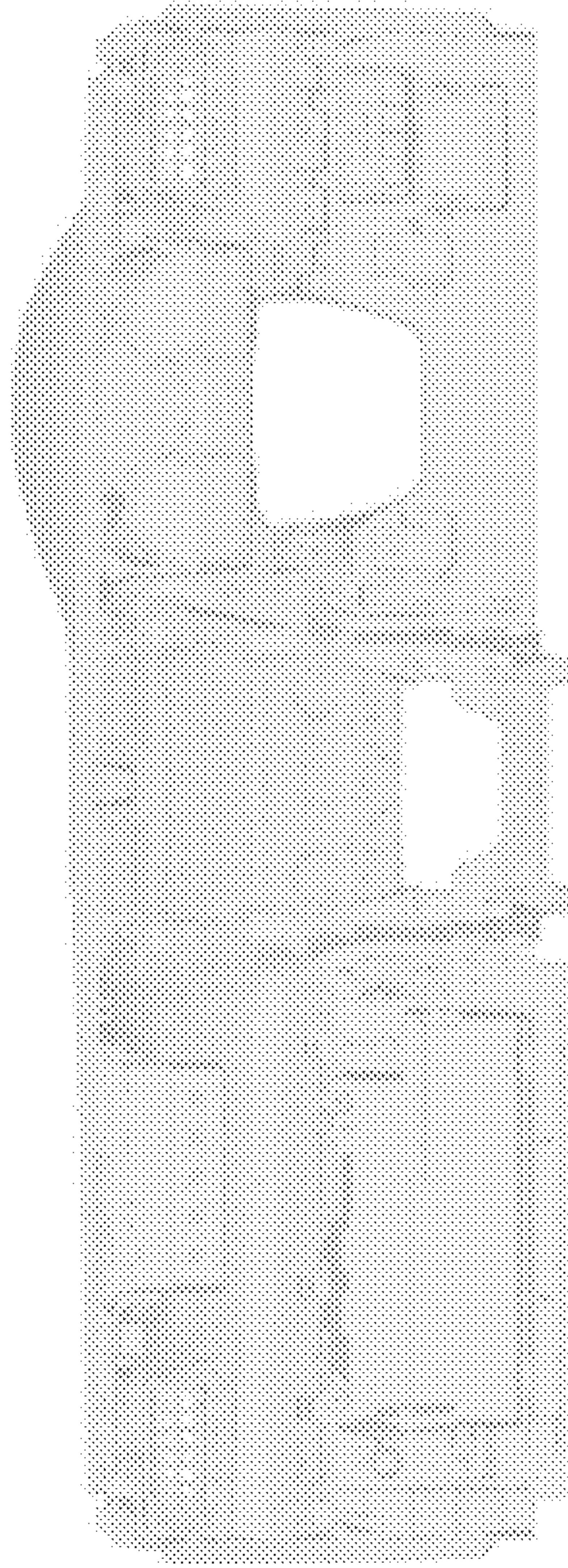


Fig. 4

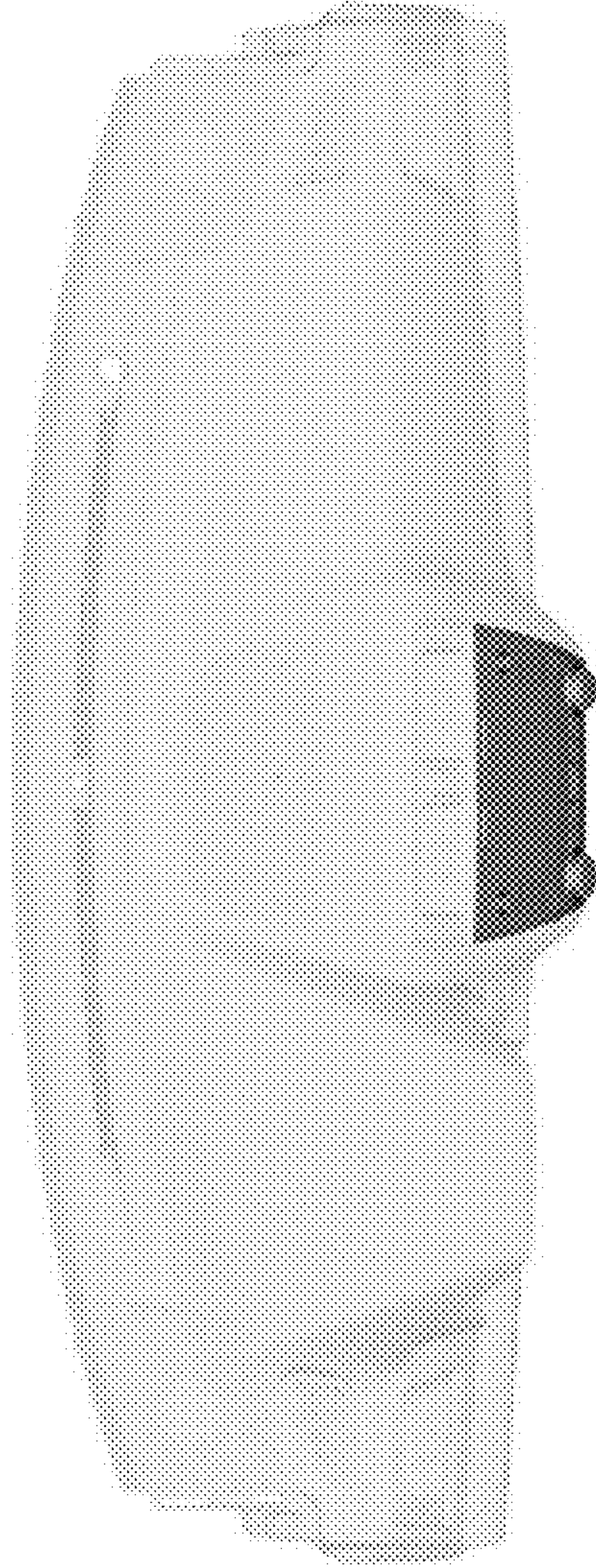


Fig. 5

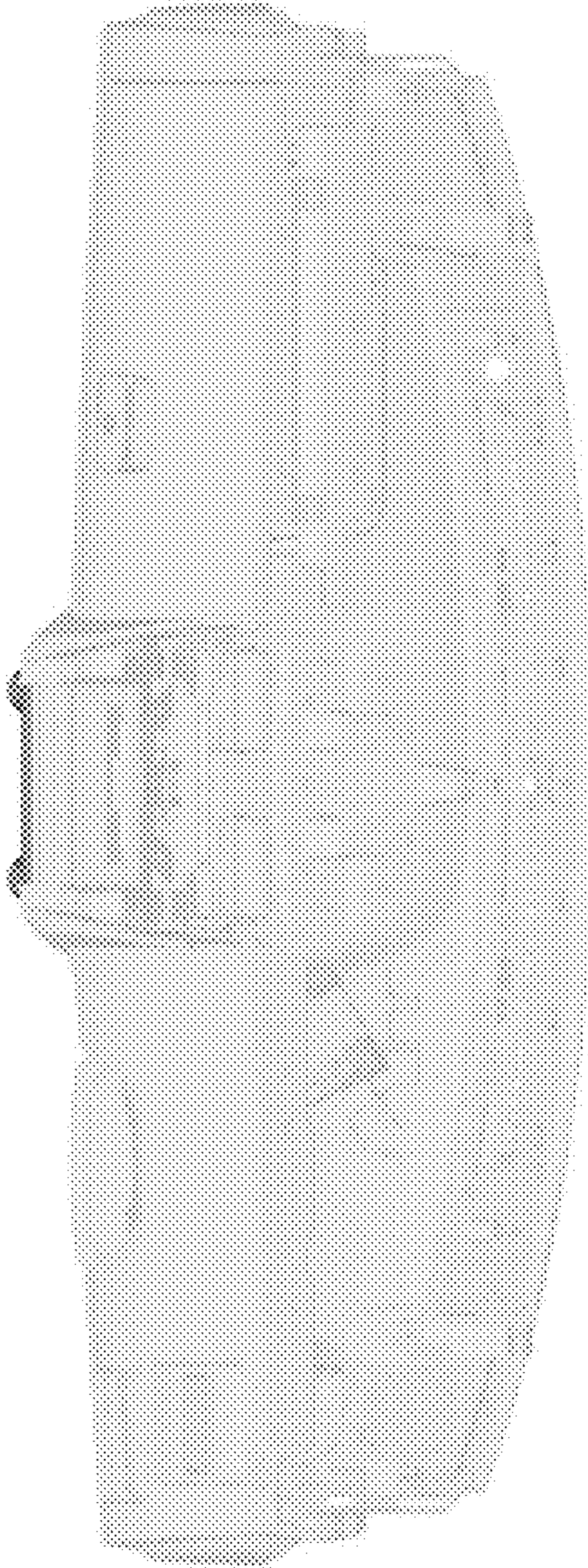


Fig. 6

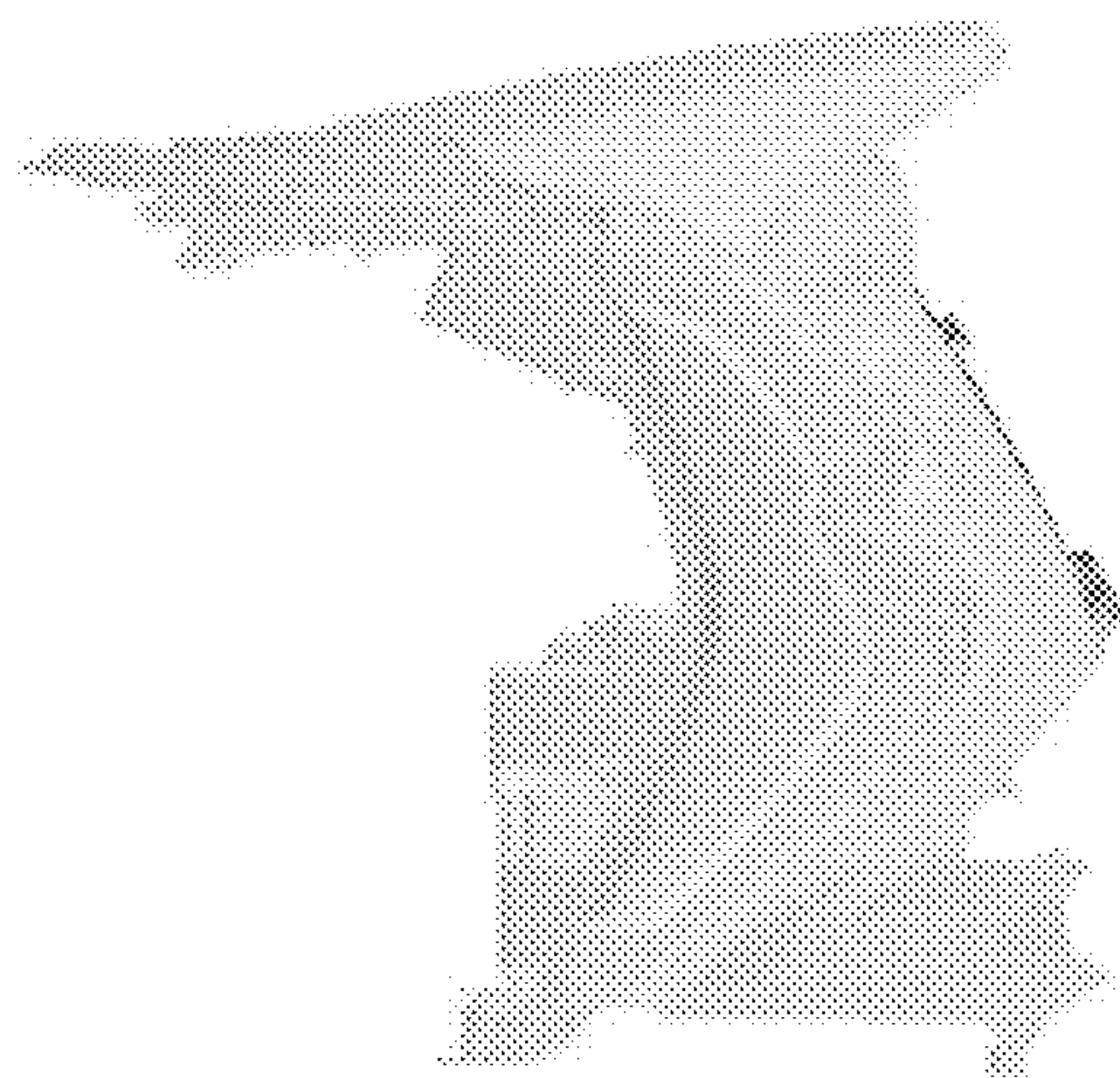


Fig. 7

