



US00D857564S

(12) **United States Design Patent** (10) **Patent No.:** **US D857,564 S**  
**McCuskey** (45) **Date of Patent:** **\*\* \*Aug. 27, 2019**

(54) **DROP DOWN TRAILER HITCH**  
(71) Applicant: **Scott McCuskey**, Boardman, OH (US)  
(72) Inventor: **Scott McCuskey**, Boardman, OH (US)  
(\* ) Notice: This patent is subject to a terminal disclaimer.  
(\*\*) Term: **15 Years**  
(21) Appl. No.: **29/619,346**  
(22) Filed: **Sep. 28, 2017**  
(51) **LOC (12) Cl.** ..... **12-16**  
(52) **U.S. Cl.**  
USPC ..... **D12/162**  
(58) **Field of Classification Search**  
USPC ..... D12/159, 160, 161, 162, 400  
CPC ... B60D 1/04; B60D 1/06; B60D 1/24; B60D  
1/46; B60D 1/50; B60D 1/52; B60D  
1/248  
See application file for complete search history.

D683,279 S \* 5/2013 Borkholder ..... D12/162  
D697,838 S \* 1/2014 Borkholder ..... D12/162  
8,733,781 B2 \* 5/2014 Sims ..... B60D 1/465  
254/420  
D709,805 S \* 7/2014 Hill ..... D12/162  
D727,803 S \* 4/2015 Borkholder ..... D12/162  
D747,239 S \* 1/2016 Wyers ..... D12/162  
9,327,566 B2 \* 5/2016 McAllister ..... B60D 1/62  
9,415,647 B2 \* 8/2016 Woolf ..... B60D 1/04  
9,505,281 B1 \* 11/2016 Borkholder ..... B60D 1/248  
D773,345 S \* 12/2016 Borkholder ..... D12/162  
D794,515 S \* 8/2017 McCuskey ..... D12/162  
D795,756 S \* 8/2017 McCuskey ..... D12/162  
D797,008 S \* 9/2017 Borkholder ..... D12/162  
9,868,327 B1 \* 1/2018 Borkholder ..... B60D 1/485  
D832,749 S \* 11/2018 McCuskey ..... D12/162

\* cited by examiner

*Primary Examiner* — Darlington Ly  
(74) *Attorney, Agent, or Firm* — Harpman + Harpman

(57) **CLAIM**

The ornamental design for a drop down trailer hitch, as shown and described.

**DESCRIPTION**

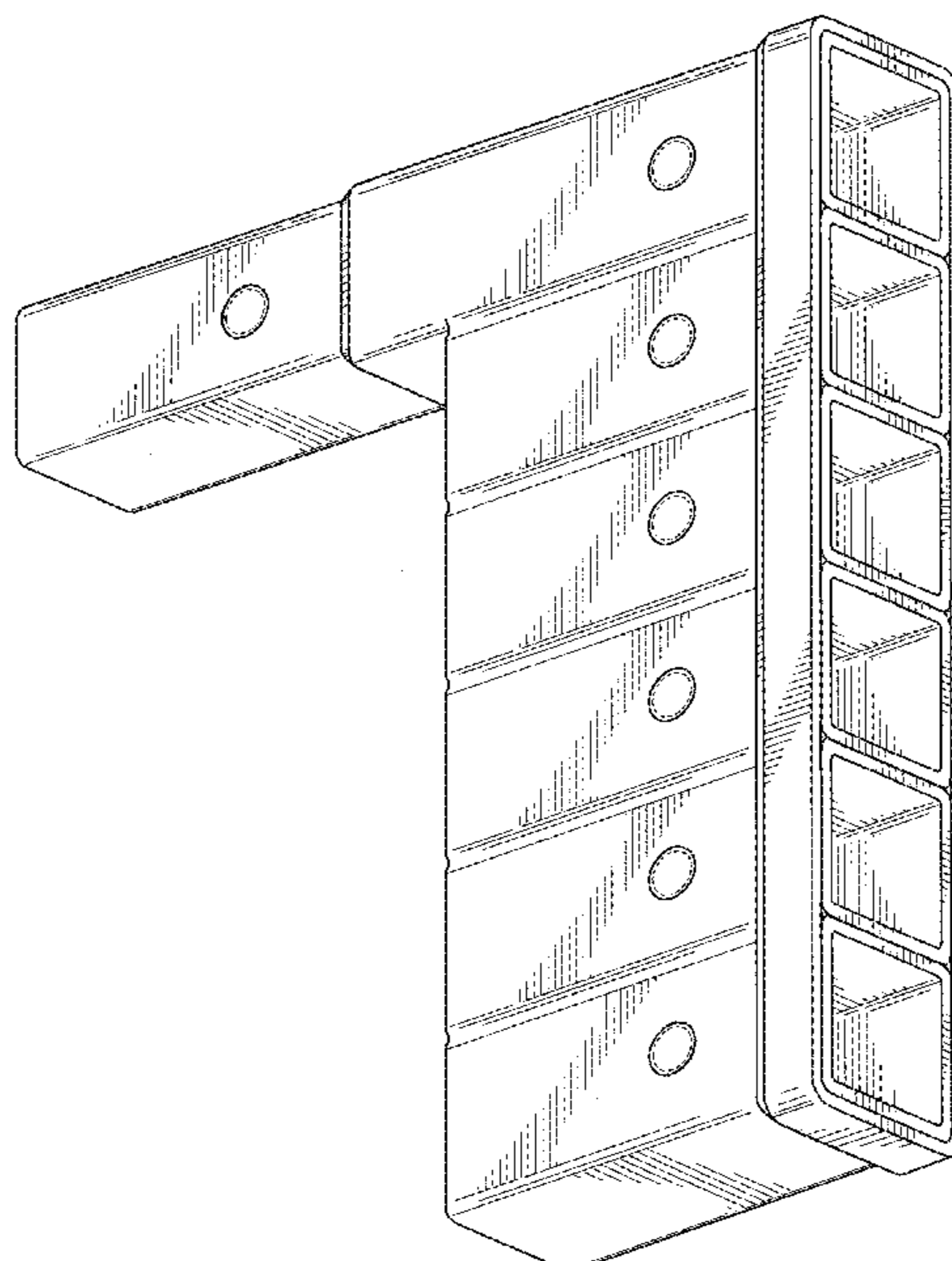
FIG. 1 is a top, front, and right side perspective view of a fixed drop down trailer hitch showing my new design; FIG. 2 is a right side elevation view thereof; FIG. 3 is a left side elevation view thereof; FIG. 4 is a front elevation view thereof; FIG. 5 is a rear elevation view thereof; FIG. 6 is a bottom plan view thereof; and, FIG. 7 is a top plan view thereof. The broken lines in the drawings illustrate portions of the drop down trailer hitch that form no part of the claimed design.

**1 Claim, 5 Drawing Sheets**

(56) **References Cited**

U.S. PATENT DOCUMENTS

2,847,232 A \* 8/1958 Graham ..... B60D 1/46  
280/490.1  
4,538,827 A \* 9/1985 Plifka ..... B60D 1/60  
280/507  
D376,780 S \* 12/1996 McCoy ..... D12/162  
6,341,795 B1 \* 1/2002 Zerkel ..... B60D 1/065  
280/490.1  
D553,058 S \* 10/2007 Chen ..... D12/162  
D555,549 S \* 11/2007 Capuano ..... D12/162  
7,559,570 B2 \* 7/2009 Cearns ..... B60D 1/46  
280/490.1  
D629,338 S \* 12/2010 Ceccarelli ..... D12/162  
D682,751 S \* 5/2013 Borkholder ..... D12/162



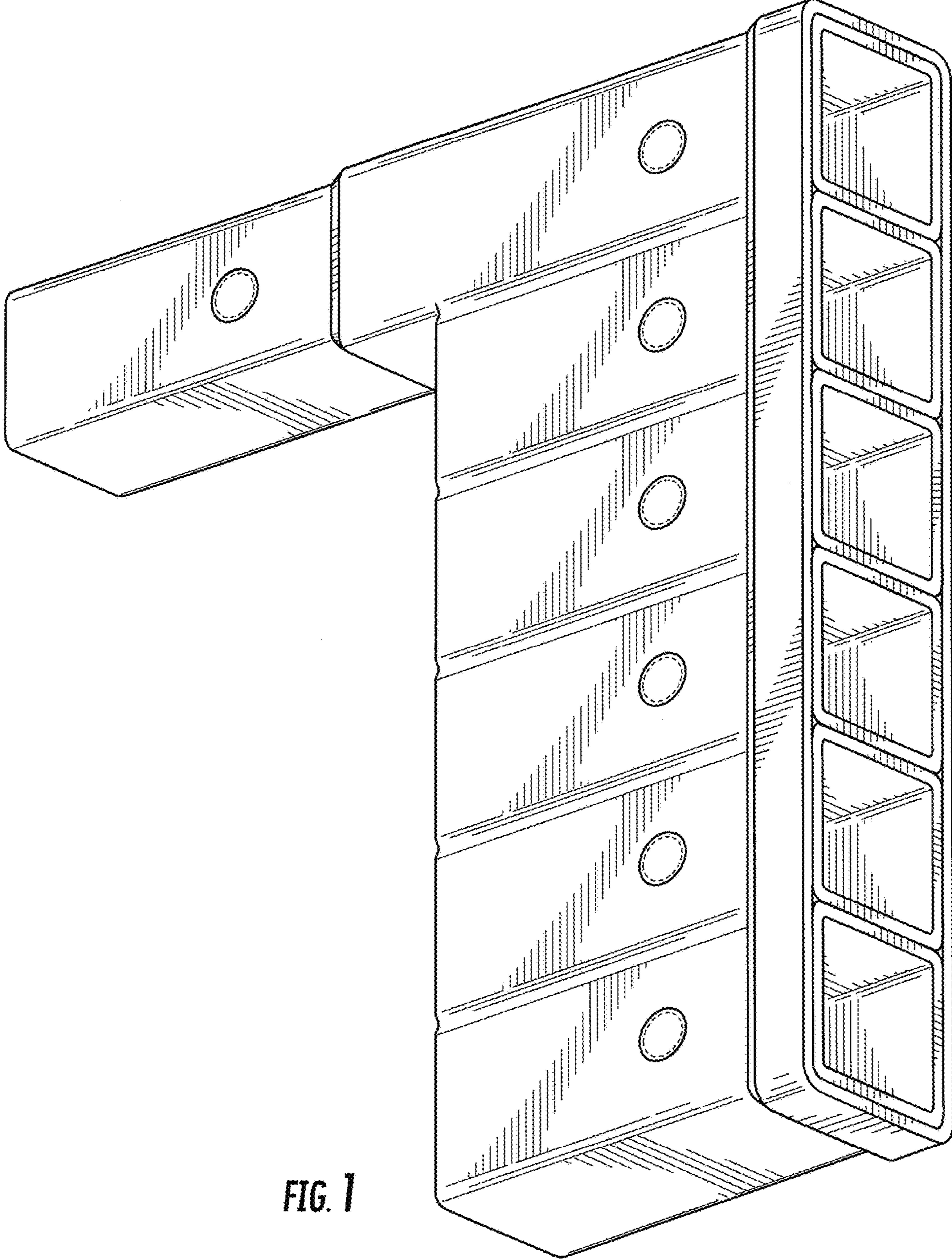


FIG. 1

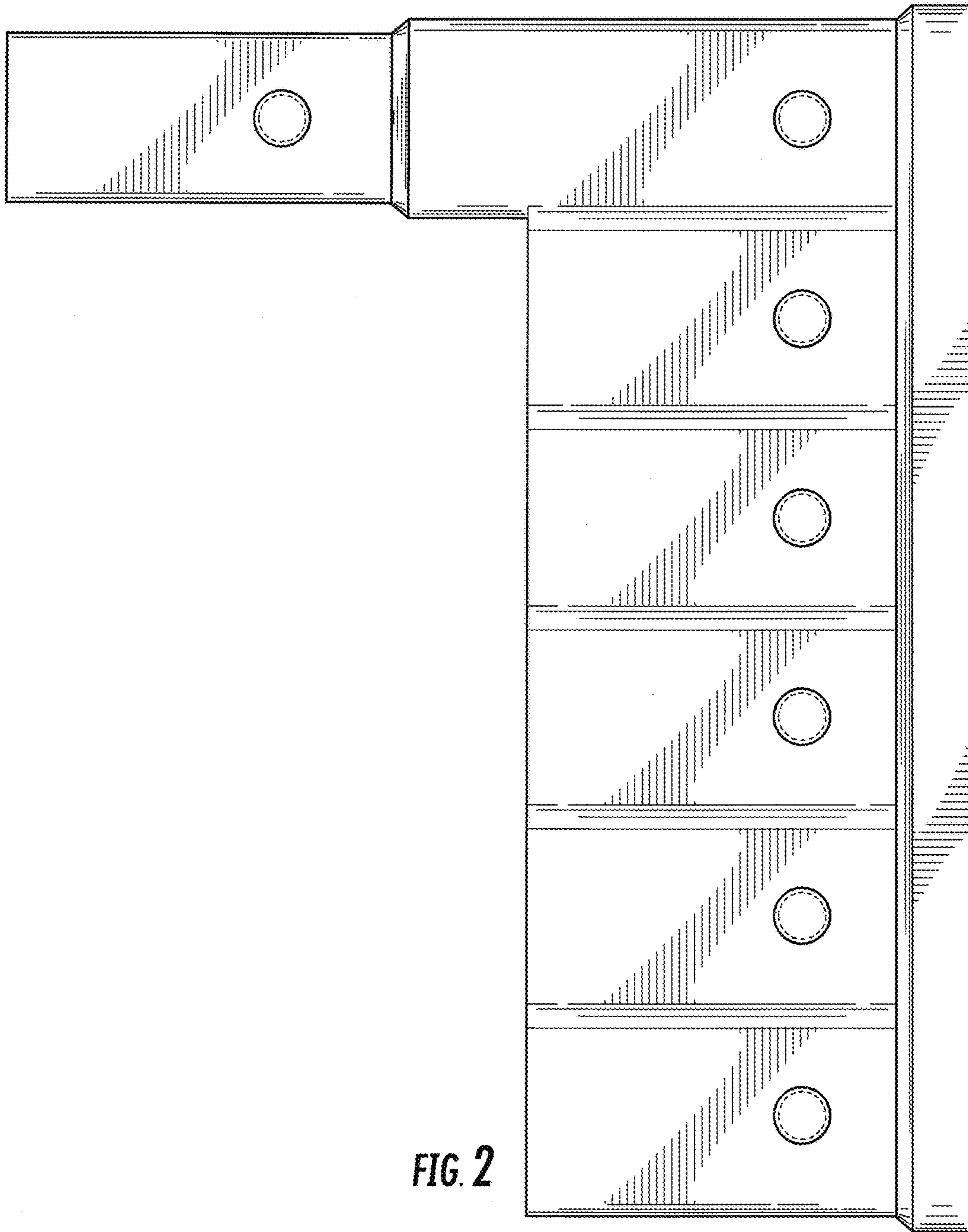


FIG. 2

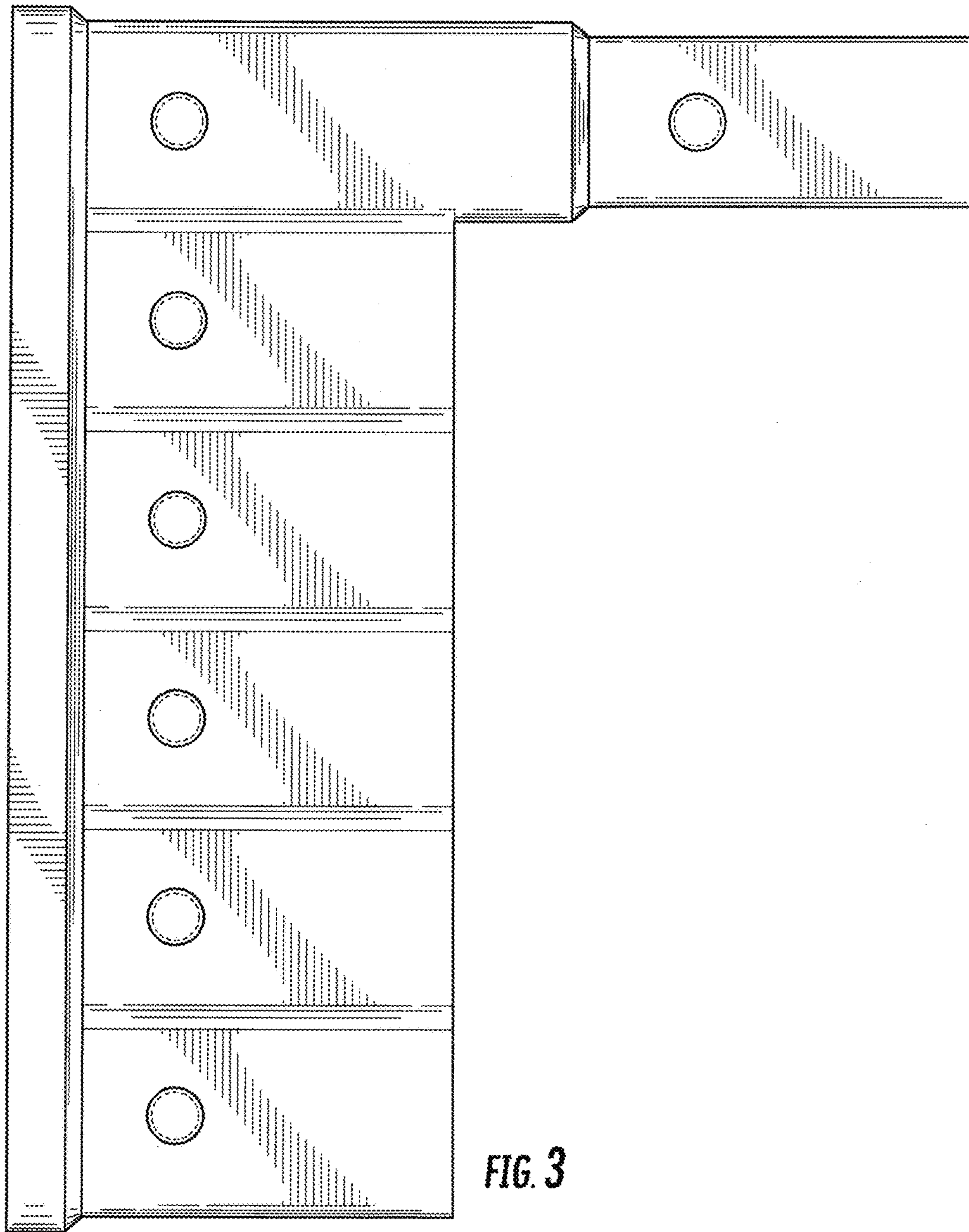


FIG. 3

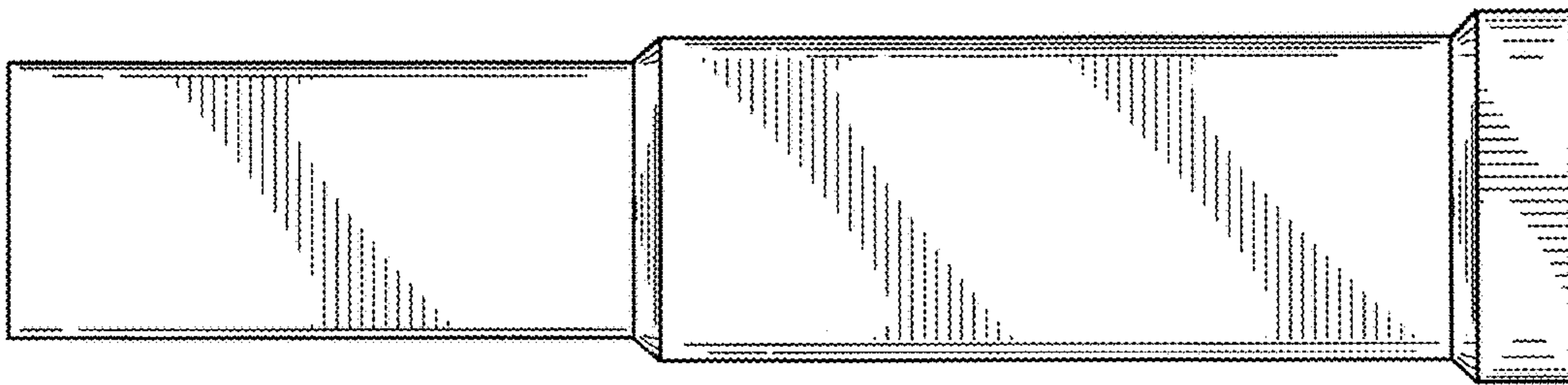


FIG. 5

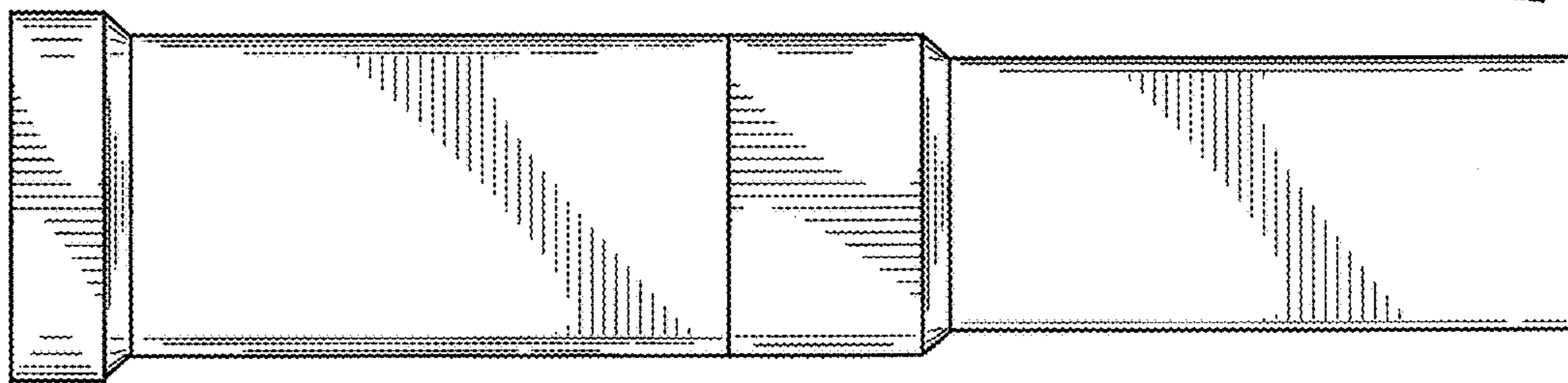
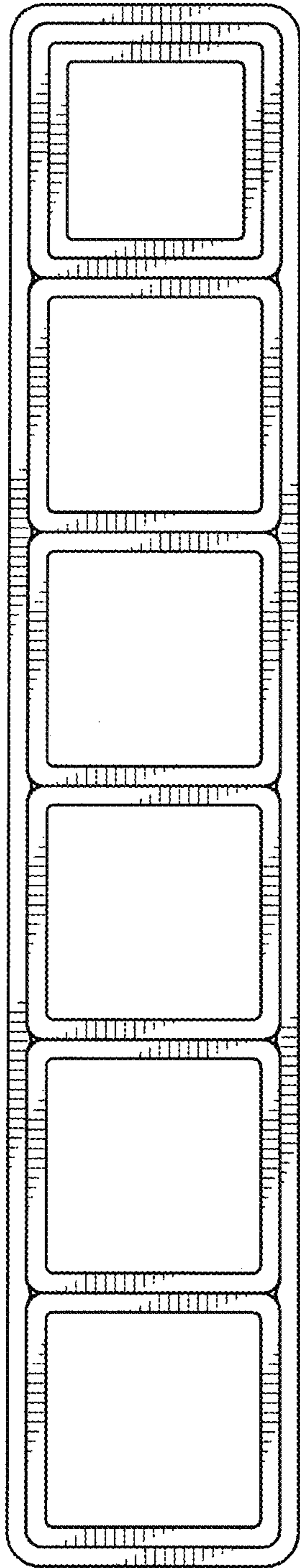
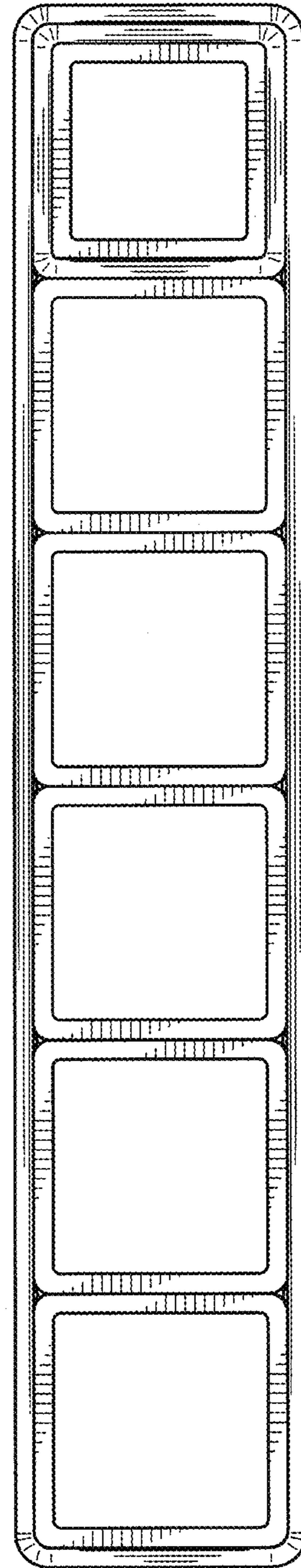


FIG. 4



**FIG. 6**



**FIG. 7**