



US00D857563S

(12) **United States Design Patent** (10) **Patent No.:** **US D857,563 S**
Siegel et al. (45) **Date of Patent:** **** Aug. 27, 2019**

(54) **ADJUSTABLE BALL AND CLEVIS MOUNT ASSEMBLY**

(71) Applicant: **HORIZON GLOBAL AMERICAS INC.**, Plymouth, MI (US)

(72) Inventors: **Theodore J. Siegel**, Mayfield Heights, OH (US); **Eric Yukich**, Stow, OH (US); **Michael Maurer**, Euclid, OH (US); **Doug Soulsby**, Stow, OH (US); **Alex Meyer**, Cleveland, OH (US)

(73) Assignee: **HORIZON GLOBAL AMERICAS INC.**, Plymouth, MI (US)

(**) Term: **15 Years**

(21) Appl. No.: **29/614,531**

(22) Filed: **Aug. 21, 2017**

(51) **LOC (12) Cl.** **12-16**

(52) **U.S. Cl.**
USPC **D12/162**

(58) **Field of Classification Search**
USPC D12/162, 160, 161, 159
CPC . B60D 1/60; B60D 1/065; B60D 1/00; B60D 1/06

See application file for complete search history.

(56) **References Cited**

U.S. PATENT DOCUMENTS

D797,010 S * 9/2017 Verboeket D12/162
D800,611 S * 10/2017 Ramirez, Jr. D12/162

D803,108 S * 11/2017 Liu D12/162
D809,053 S * 1/2018 Carnevali D16/242
D814,549 S * 4/2018 Carnevali D16/242
D825,401 S * 8/2018 Stickle D12/162
D828,240 S * 9/2018 Williams D12/162
D832,155 S * 10/2018 Siegel D12/162
D832,156 S * 10/2018 Johns D12/162
D834,464 S * 11/2018 Cincunegui D12/162
D837,698 S * 1/2019 Song D12/162

* cited by examiner

Primary Examiner — Katrina A Betton

(74) *Attorney, Agent, or Firm* — McDonald Hopkins LLC

(57) **CLAIM**

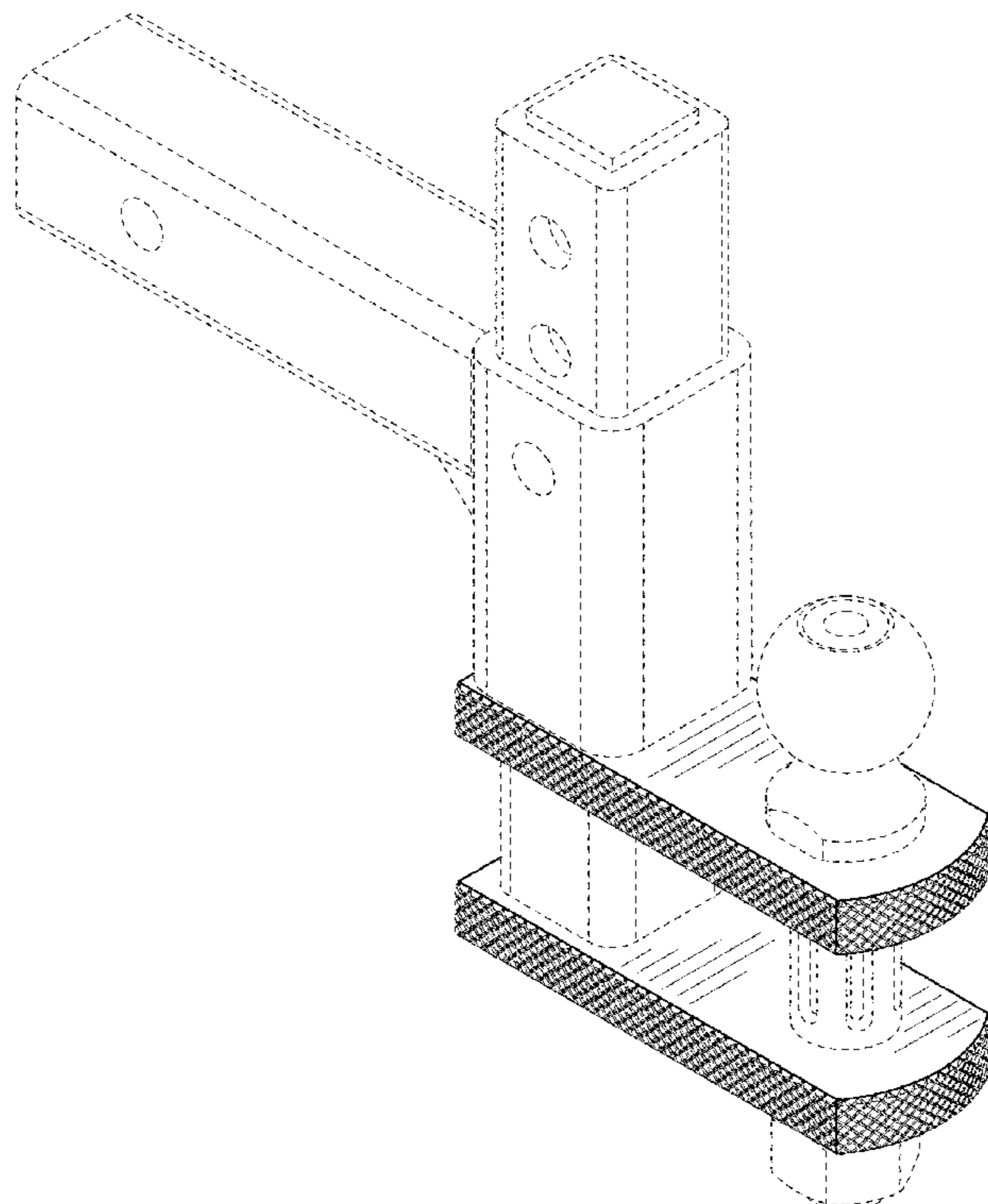
The ornamental design for an adjustable ball and clevis mount assembly, as shown and described.

DESCRIPTION

FIG. 1 is a perspective view of an adjustable ball and clevis mount assembly showing our new design; FIG. 2 is a first side view of FIG. 1 thereof; FIG. 3 is a second side view of FIG. 1 thereof; FIG. 4 is a front side view of FIG. 1 thereof; FIG. 5 is a rear side view of FIG. 1 thereof; FIG. 6 is a top view of FIG. 1 thereof; and, FIG. 7 is a bottom view of FIG. 1 thereof.

The broken lines in the figures are included for the purpose of illustrating portions of an adjustable ball and clevis mount assembly and form no part of the claimed design.

1 Claim, 5 Drawing Sheets



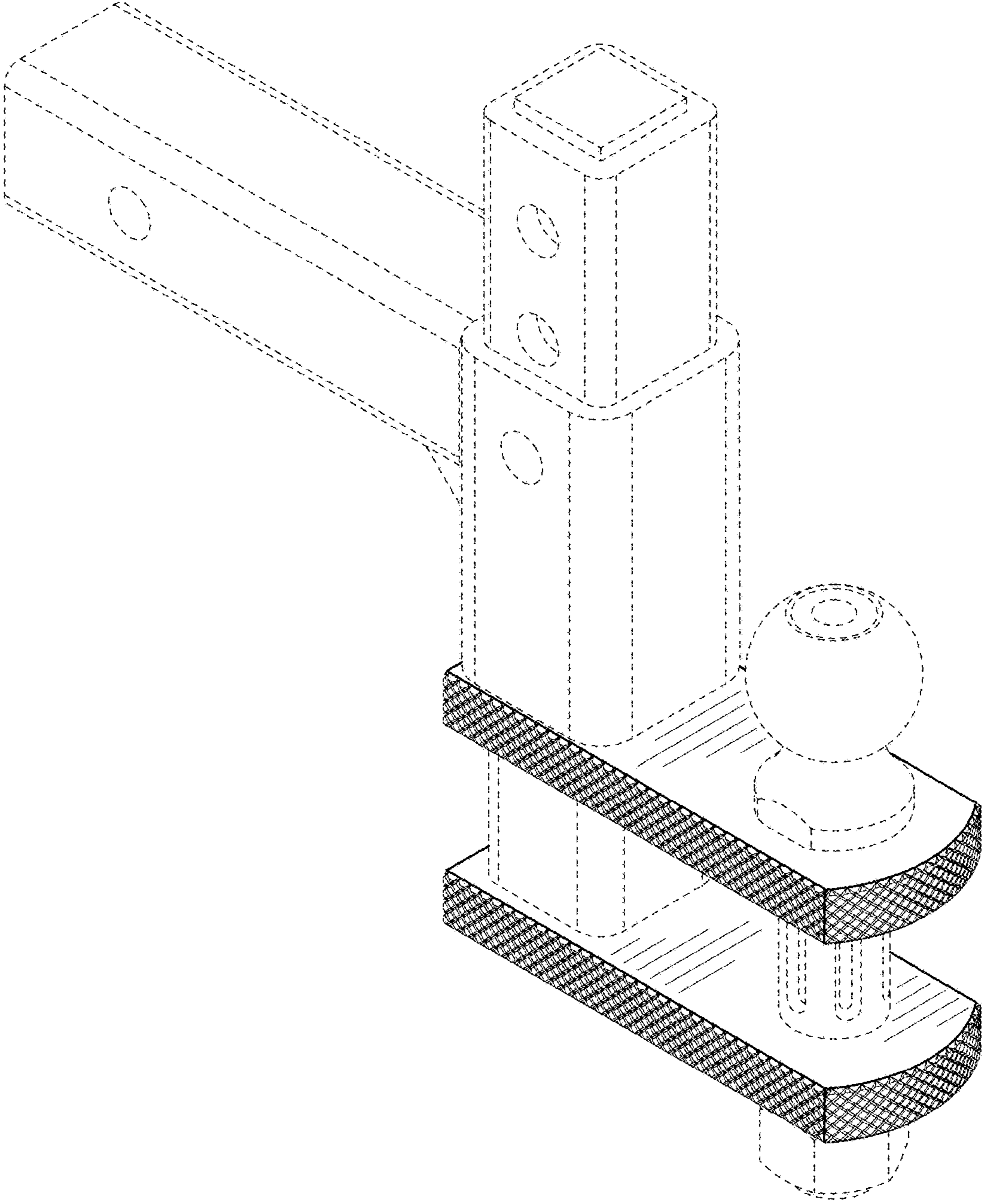


FIG. 1

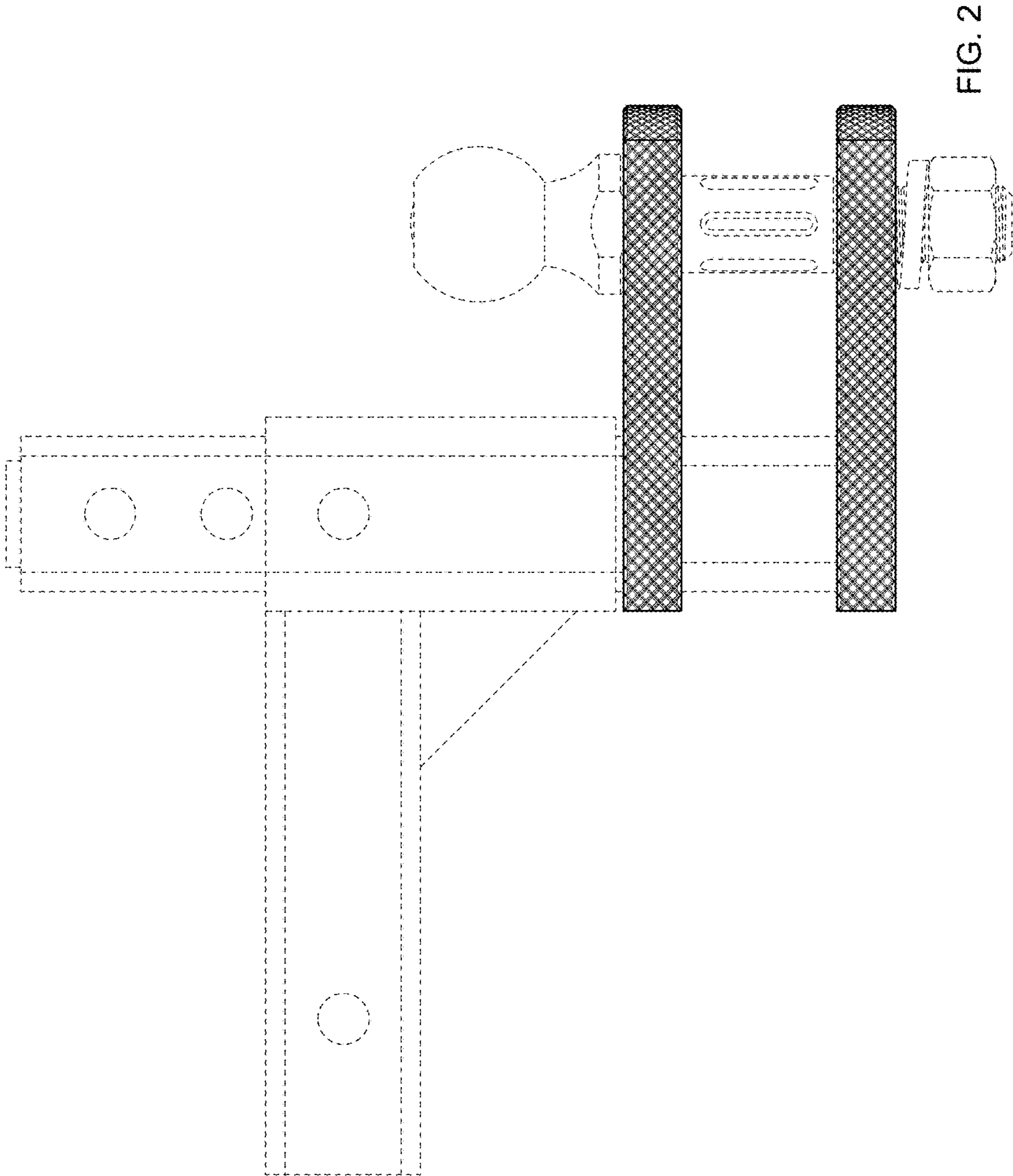


FIG. 2

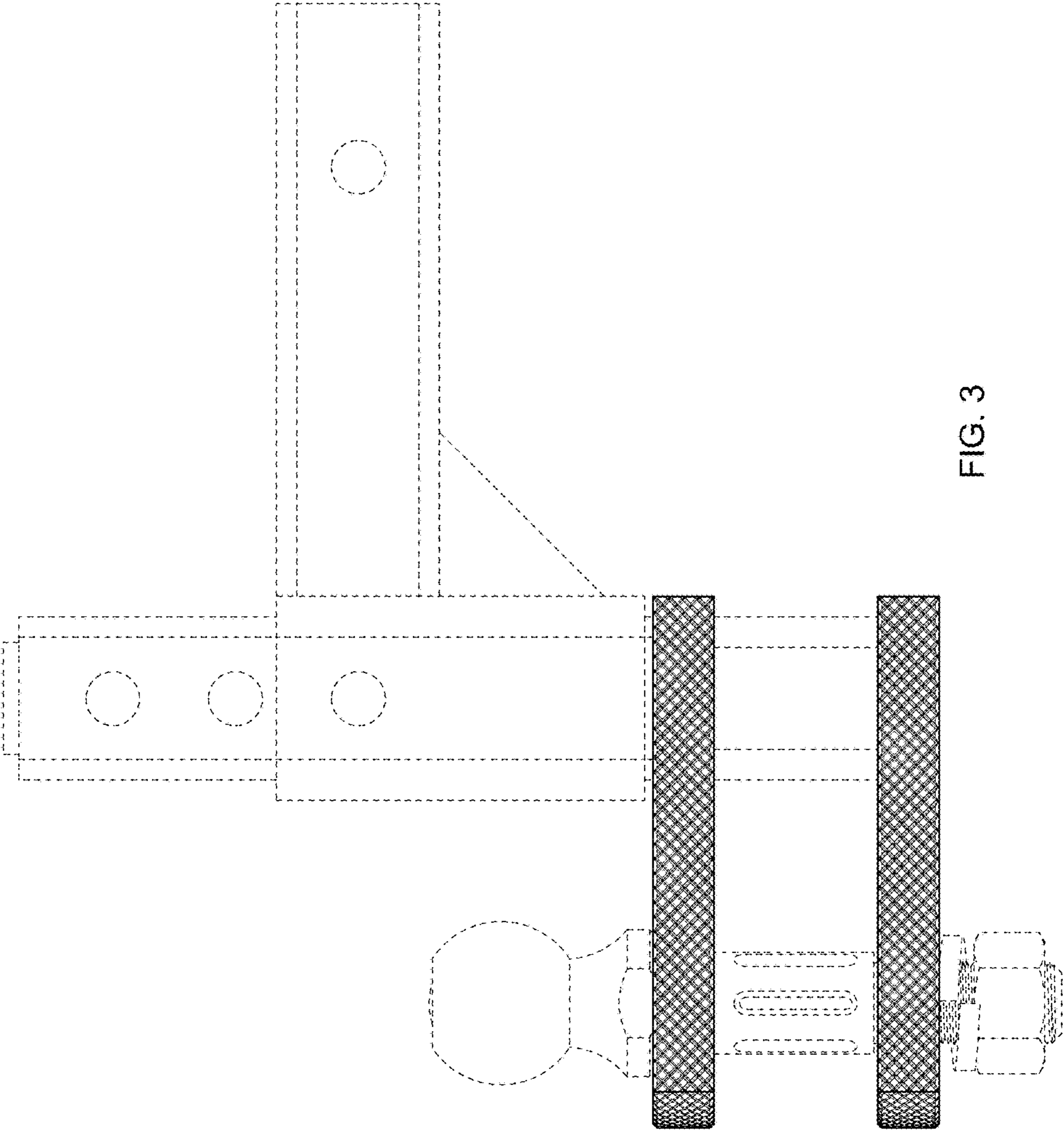


FIG. 3

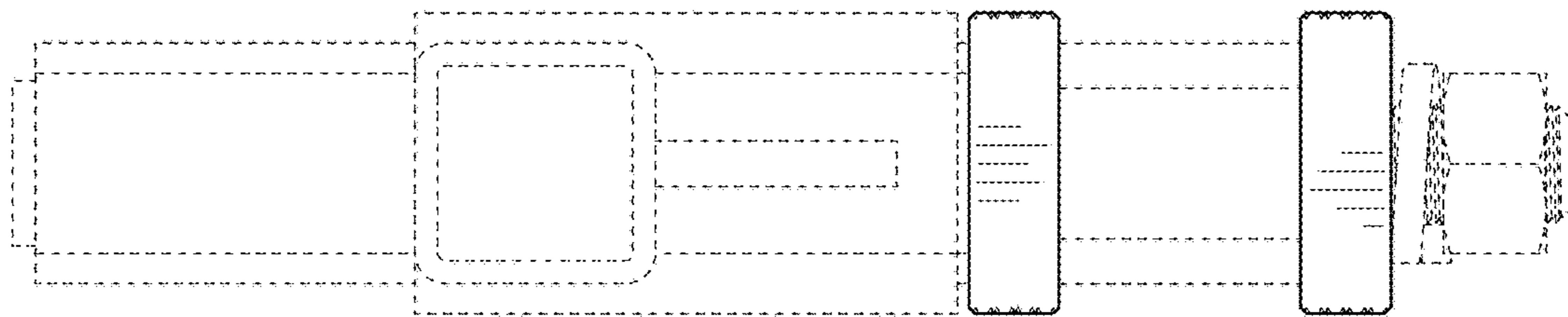


FIG. 5

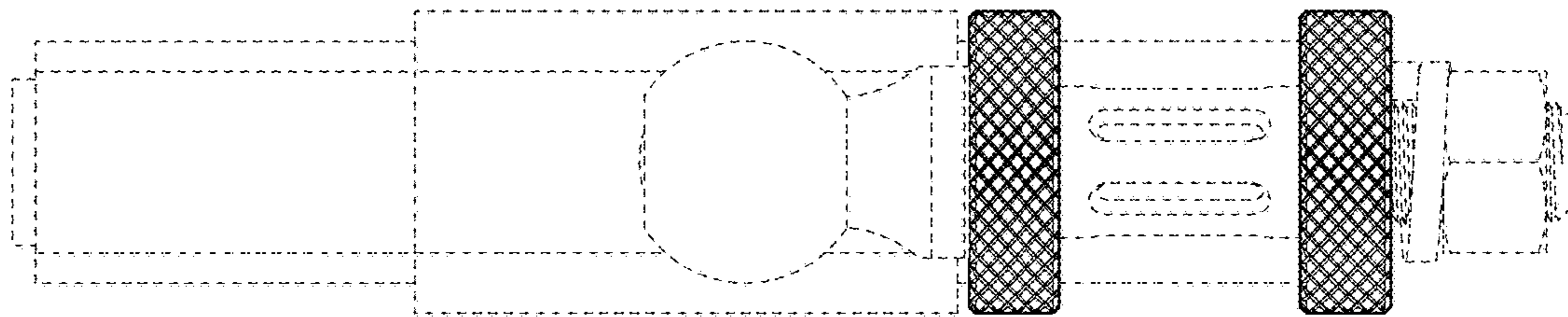


FIG. 4

