



US00D857561S

(12) **United States Design Patent** (10) **Patent No.:** **US D857,561 S**  
**Berman et al.** (45) **Date of Patent:** **\*\* Aug. 27, 2019**

(54) **ROLLATOR**  
 (71) Applicant: **Medline Industries, Inc.**, Northfield, IL (US)

5,320,122 A 6/1994 Jacobson, II  
 5,364,120 A 11/1994 Shimansky  
 5,419,571 A 5/1995 Vaughan  
 (Continued)

(72) Inventors: **Emily Hannah Berman**, Park Ridge, IL (US); **William Elliott Brooks**, Chicago, IL (US)

FOREIGN PATENT DOCUMENTS

CN 1602826 A 4/2005  
 CN 201019980 Y 2/2008  
 (Continued)

(73) Assignee: **Medline Industries, Inc.**, Northfield, IL (US)

OTHER PUBLICATIONS

U.S. Appl. No. 29/619,813, filed Oct. 2, 2017, entitled "Rollator."  
 (Continued)

(\*\*) Term: **15 Years**

(21) Appl. No.: **29/642,301**

*Primary Examiner* — Charles D Hanson

(22) Filed: **Mar. 28, 2018**

(74) *Attorney, Agent, or Firm* — Fitch, Even, Tabin & Flannery LLP

(51) **LOC (12) Cl.** ..... **12-12**

(52) **U.S. Cl.**  
 USPC ..... **D12/130**

(57) **CLAIM**

The ornamental design for a rollator, as shown and described.

(58) **Field of Classification Search**  
 USPC ..... D12/128–133  
 CPC ..... A61H 3/00; A61H 3/04; A61H 2003/001–007; A61H 2003/043; A61H 2003/046  
 See application file for complete search history.

**DESCRIPTION**

FIG. 1 is a front perspective view of our new design of a rollator in a first configuration;  
 FIG. 2 is a right side elevation view thereof;  
 FIG. 3 is a top plan view thereof;  
 FIG. 4 is a left side elevation view thereof;  
 FIG. 5 is a bottom plan view thereof;  
 FIG. 6 is a front elevation view thereof;  
 FIG. 7 is a rear elevation view thereof;  
 FIG. 8 is a front perspective view of the rollator in a second configuration;  
 FIG. 9 is a right side elevation view thereof;  
 FIG. 10 is a top plan view thereof;  
 FIG. 11 is a left side elevation view thereof;  
 FIG. 12 is a bottom plan view thereof;  
 FIG. 13 is a front elevation view thereof; and,  
 FIG. 14 is a rear elevation view thereof.

(56) **References Cited**

U.S. PATENT DOCUMENTS

474,666 A 5/1892 Krehbiel  
 3,186,759 A 6/1965 Reeves  
 3,338,628 A 8/1967 Evans  
 4,211,309 A 7/1980 Ruggiero  
 4,229,039 A 10/1980 Day  
 4,341,381 A 7/1982 Norberg  
 D281,771 S 12/1985 Webb  
 D289,507 S 4/1987 Danielsson  
 5,058,912 A 10/1991 Harroun  
 5,060,967 A 10/1991 Hulterstrum  
 5,224,731 A 7/1993 Johnson

**1 Claim, 14 Drawing Sheets**





(56)

References Cited

U.S. PATENT DOCUMENTS

D360,174 S 7/1995 Kjell  
 D367,833 S 3/1996 Ahlbertz  
 D372,890 S 8/1996 Ferm  
 5,716,063 A 2/1998 Doyle  
 5,741,020 A 4/1998 Harroun  
 5,772,234 A 6/1998 Luo  
 D396,437 S 7/1998 Liljedahl  
 5,904,168 A 5/1999 Alulyan  
 6,338,493 B1 1/2002 Wohlgemuth  
 6,378,883 B1 4/2002 Epstein  
 D501,432 S \* 2/2005 Møller ..... D12/130  
 D503,909 S 4/2005 Tolfson  
 D519,423 S 4/2006 Tolfson  
 7,192,043 B1 3/2007 McLuen  
 7,219,906 B2 5/2007 Hallgrimsson  
 7,306,246 B2 12/2007 Gale  
 D560,563 S \* 1/2008 Fransson ..... D12/130  
 7,370,734 B2 5/2008 Hallgrimsson  
 7,379,734 B2 5/2008 Sato  
 7,484,740 B2 2/2009 Miller  
 7,628,411 B2 12/2009 Meyers  
 D623,992 S 9/2010 Derks  
 D633,830 S 3/2011 Derks  
 7,918,473 B2 4/2011 Yao  
 8,083,240 B2 12/2011 Jacobs  
 8,226,111 B2 7/2012 Valdez  
 8,596,669 B2 12/2013 Liao  
 D699,634 S \* 2/2014 Wu ..... D12/130  
 8,646,804 B2 2/2014 Derks  
 8,851,502 B2 10/2014 Gaudiano  
 D721,620 S \* 1/2015 Huang ..... D12/130  
 8,936,262 B2 1/2015 Nabeta  
 8,979,114 B2 3/2015 Cheng  
 8,998,222 B2 4/2015 Huang  
 8,998,223 B2 \* 4/2015 Chang ..... F16D 59/02  
 188/20  
 D736,121 S 8/2015 Wang  
 D739,314 S 9/2015 Wang  
 9,173,802 B2 11/2015 Willis  
 9,226,868 B2 1/2016 Andersen  
 D754,034 S 4/2016 Wang  
 D754,568 S \* 4/2016 Wang ..... D12/130  
 9,381,132 B2 7/2016 Chen  
 D766,139 S \* 9/2016 Chen ..... D12/130  
 D789,255 S \* 6/2017 Delatorre ..... D12/130  
 9,687,411 B2 6/2017 Chen  
 D795,752 S 8/2017 Wang  
 D795,753 S 8/2017 Wang  
 9,763,849 B2 9/2017 Paterson  
 D798,778 S \* 10/2017 Lin ..... D12/130  
 D801,231 S \* 10/2017 Wang ..... D12/130  
 9,839,571 B2 12/2017 Pan  
 D807,793 S \* 1/2018 Paterson ..... D12/130  
 9,877,889 B2 1/2018 Chen  
 9,907,723 B2 3/2018 Bisceglia  
 9,968,509 B2 5/2018 Andersen  
 9,974,708 B1 5/2018 Janeczek  
 2002/0050697 A1 5/2002 Hallgrimsson  
 2002/0079663 A1 6/2002 Hallgrimsson  
 2002/0153684 A1 10/2002 Sung  
 2004/0079405 A1 4/2004 Sanders  
 2004/0104559 A1 6/2004 Chen  
 2004/0118640 A1 6/2004 Hallgrimsson  
 2004/0245737 A1 12/2004 Hallgrimsson  
 2005/0001398 A1 1/2005 Serhan  
 2006/0284040 A1 12/2006 Nixon  
 2007/0034243 A1 2/2007 Miller  
 2007/0170699 A1 7/2007 Li  
 2007/0235067 A1 10/2007 Gale  
 2007/0267054 A1 11/2007 Meyers  
 2007/0283990 A1 12/2007 Fernandez  
 2008/0111349 A1 5/2008 Willis  
 2008/0129016 A1 6/2008 Willis  
 2008/0135077 A1 6/2008 Meyers  
 2008/0202571 A1 8/2008 Meyers

2008/0252043 A1 10/2008 Willis  
 2009/0033052 A1 2/2009 Bradshaw  
 2010/0301574 A1 12/2010 Derks  
 2012/0205882 A1 8/2012 Staggs  
 2013/0113187 A1 5/2013 Willis  
 2013/0292916 A1 11/2013 Nabeta  
 2013/0320640 A1 12/2013 Liu  
 2014/0084559 A1 3/2014 Fang  
 2014/0125037 A1 5/2014 Andersen  
 2015/0182394 A1 7/2015 Kutsch  
 2016/0113833 A1 4/2016 Andersen  
 2018/0021204 A1 1/2018 Paterson

FOREIGN PATENT DOCUMENTS

CN 202724206 U 2/2013  
 DE 29717488 U1 11/1997  
 EP 2343035 A1 8/2012  
 JP D1148308 S 7/2002  
 JP D1292289 S 1/2007  
 TW D107853 11/2005  
 TW D127741 3/2009

OTHER PUBLICATIONS

“Adjustable Rollator by Patterson Medical”, Medline product currently available at <https://www.medline.com/product/Adjustable-Rollator-by-Patterson-Medical/Rollators/Z05-PF55372?question=rollator&index=P35&indexCount=35>, believed to be publicly available at least before Oct. 13, 2016.

“Bariatric RollAider™ by Patterson Medical”, Medline product currently available at <https://www.medline.com/product/Bariatric-RollAider153-by-Patterson-Medical/Rollators/Z05-PF74285?question=rollator&index=P43&indexCount=43>, believed to be publicly available at least before Oct. 13, 2016.

“Basic Rollators”, Medline product currently available at <https://www.medline.com/product/Basic-Rollators/Rollators/Z05-PF04832?question=rollator&index=P4&indexCount=4>, believed to be publicly available at least before Oct. 13, 2016.

“Basic Steel Rollators”, Medline product currently available at <https://www.medline.com/product/Basic-Steel-Rollators/Rollators/Z05-PF61071?question=rollator&index=P10&indexCount=10>, believed to be publicly available at least before Oct. 13, 2016.

“Deluxe Comfort Rollators”, Medline product currently available at <https://www.medline.com/product/Deluxe-Comfort-Rollators/Rollators/Z05-PF61367?question=rollator&index=P8&indexCount=8>, believed to be publicly available at least before Oct. 13, 2016.

“Deluxe Rollators”, Medline product currently available at <https://www.medline.com/product/Deluxe-Rollators/Rollators/Z05-PF04834?question=rollator&index=P6&indexCount=6>, believed to be publicly available at least before Oct. 13, 2016.

“Empower Rollator”, Medline product currently available at <https://www.medline.com/product/Empower-Rollator/Rollators/Z05-PF75510?question=rollator&index=P11&indexCount=11>, believed to be publicly available at least before Oct. 13, 2016.

“Guardian Deluxe Rollators with 8" Wheels”, Medline product currently available at <https://www.medline.com/product/Guardian-Deluxe-Rollators-with-8-Wheels/Rollators/Z05-PF04840?question=rollator&index=P1&indexCount=1#mrkSpec>, believed to be publicly available at least before Oct. 13, 2016.

“Guardian Economy Rollators”, Medline product currently available at <https://www.medline.com/product/Guardian-Economy-Rollators/Rollators/Z05-PF04841?question=rollator&index=P9&indexCount=9>, believed to be publicly available at least before Oct. 13, 2016.

“Invacare® Rollite™ Rollator by Patterson Medical”, Medline product currently available at <https://www.medline.com/product/Invacare-Rollite153-Rollator-by-Patterson-Medical/Rollators/Z05-PF59721?question=rollator&index=P37&indexCount=37>, believed to be publicly available at least before Oct. 13, 2016.

“Light Weight Extra Wide Heavy-Duty Alumi”, Medline product currently available at <https://www.medline.com/product/Light-Weight-Extra-Wide-Heavy-Duty-Alumi/Rollators/Z05-PF55515?question=>



(56)

**References Cited**

## OTHER PUBLICATIONS

rollator&index=P41&indexCount=41, believed to be publicly available at least before Oct. 13, 2016.

“Luxe Rollator”, Medline product currently available at <https://www.medline.com/product/Luxe-Rollator/Rollators/Z05-PF04842?question=rollator&index=P7&indexCount=7>, believed to be publicly available at least before Oct. 13, 2016.

“Posh Pink Zebra Rollator”, Medline product currently available at <https://www.medline.com/product/Posh-Pink-Zebra-Rollator/Rollators/Z05-PF70685?question=rollator&index=P21&indexCount=21>, believed to be publicly available at least before Oct. 13, 2016.

“Rollators with 8" Wheels”, Medline product currently available at <https://www.medline.com/product/Rollators-with-8-Wheels/Rollators/Z05-PF04844?question=rollator&index=P2&indexCount=2>, believed to be publicly available at least before Oct. 13, 2016.

“Set n’ Go Height Adjustable Rollator by Graham-Field”, Medline product currently available at <https://www.medline.com/product/Set-n-Go-Height-Adjustable-Rollator-by-Graham-Field/Rollators/Z05-PF110256?question=rollator&index=P29&indexCount=29>, believed to be publicly available at least before Oct. 13, 2016.

“Simplicity Rollator”, Medline product currently available at <https://www.medline.com/product/Simplicity-Rollator/Rollators/Z05-PF71394?question=rollator&index=P12&indexCount=12c>, believed to be publicly available at least before Oct. 13, 2016.

“Standard Bariatric Heavy Duty Rollator”, Medline product currently available at <https://www.medline.com/product/Standard-Bariatric-Heavy-Duty-Rollator/Rollators/Z05-PF04829?question=rollator&index=P3&indexCount=3>, believed to be publicly available at least before Oct. 13, 2016.

“Stealth Rollator”, Medline product currently available at <https://www.medline.com/product/Stealth-Rollator/Rollators/Z05-PF71395?question=rollator&index=P19&indexCount=19>, believed to be publicly available at least before Oct. 13, 2016.

“Tri-Wheeled Rollators”, Medline product currently available at <https://www.medline.com/product/Tri-Wheeled-Rollators/Rollators/Z05-PF04845?question=rollator&index=P16&indexCount=16>, believed to be publicly available at least before Oct. 13, 2016.

“U-Step Walking Stabilizer by Alimed”, Medline product currently available at <https://www.medline.com/product/U-Step-Walking-Stabilizer-by-Alimed/Rollators/Z05-PF57847?question=rollator&index=P48&indexCount=48>, believed to be publicly available at least before Oct. 13, 2016.

“Ultralight Rollators”, Medline product currently available at <https://www.medline.com/product/Ultralight-Rollators/Rollators/Z05-PF04838?question=rollator&index=P5&indexCount=5>, believed to be publicly available at least before Oct. 13, 2016.

“Walker CarryOn! Bags by Patterson”, Medline product currently available at <https://www.medline.com/product/Walker-CarryOn-Bags-by-Patterson-Medical/Parts-Accessories/Z05-PF58535?P19&indexCount=19>, believed to be publicly available at least before Oct. 13, 2016.

“Width Adjustable Rollators”, Medline product currently available at <https://www.medline.com/product/Width-Adjustable-Rollators/Rollators/Z05-PF103010?question=rollator&index=P18&indexCount=18>, believed to be publicly available at least before Oct. 13, 2016.

“Winnie Mimi Lite-RollatorTransport Cha”, Medline product currently available at <https://www.medline.com/product/Winnie-Mimi-Lite-Rollator-Transport-Cha/Rollators/Z05-PF43257?question=rollator&index=P53&indexCount=53>, believed to be publicly available at least before Oct. 13, 2016.

\* cited by examiner

FIG. 1



FIG. 2

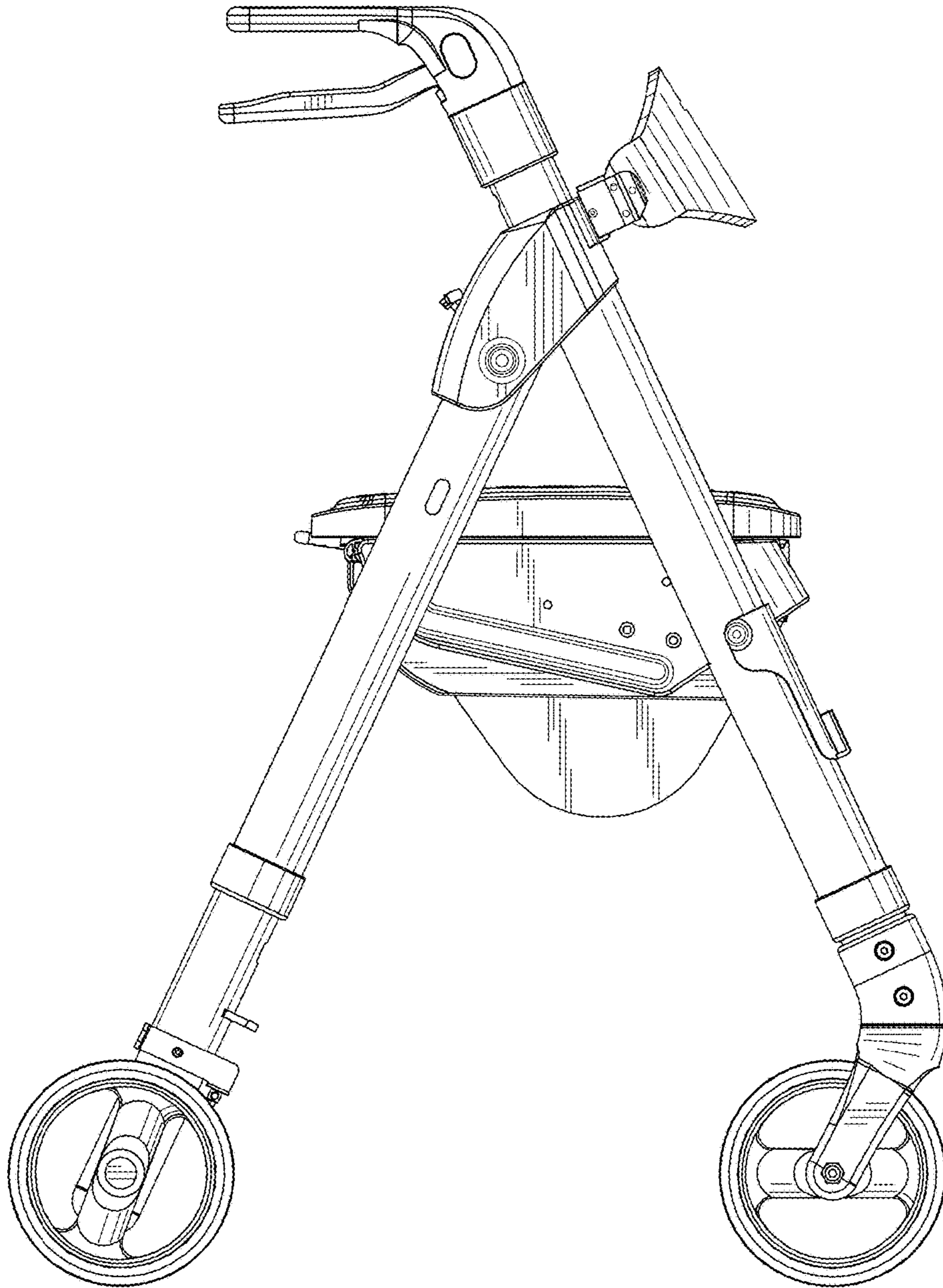




FIG. 3

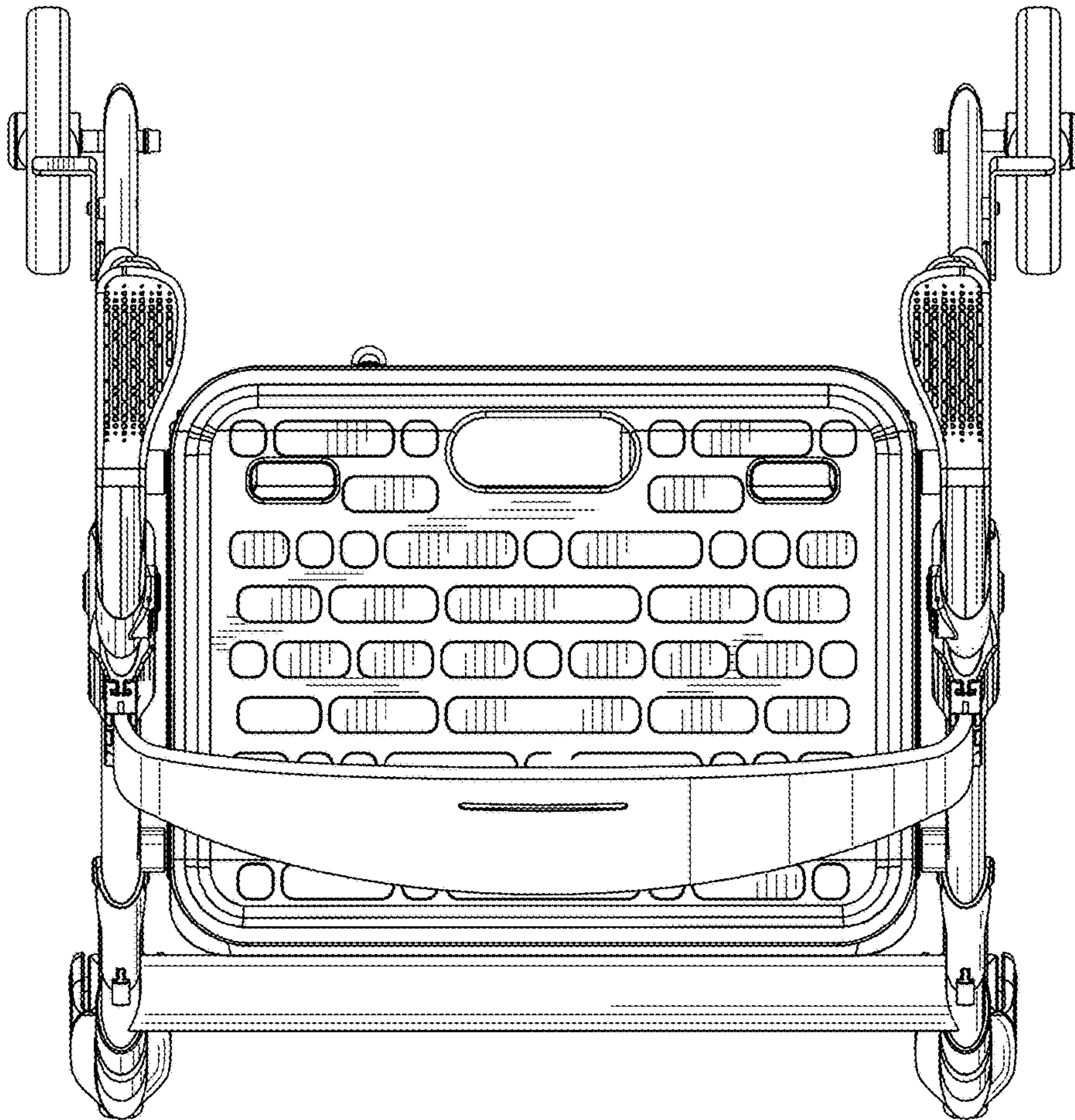


FIG. 4

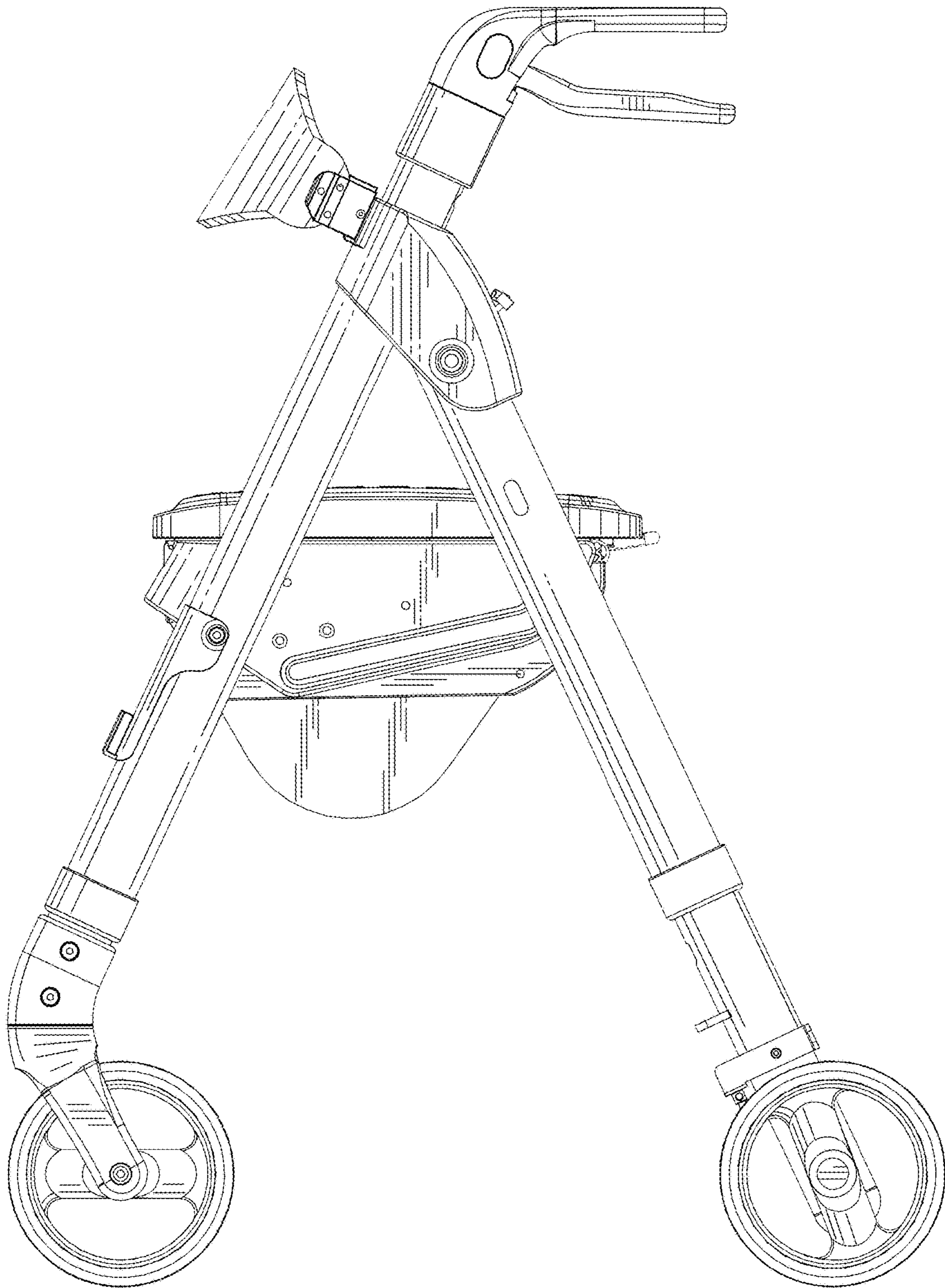


FIG. 5

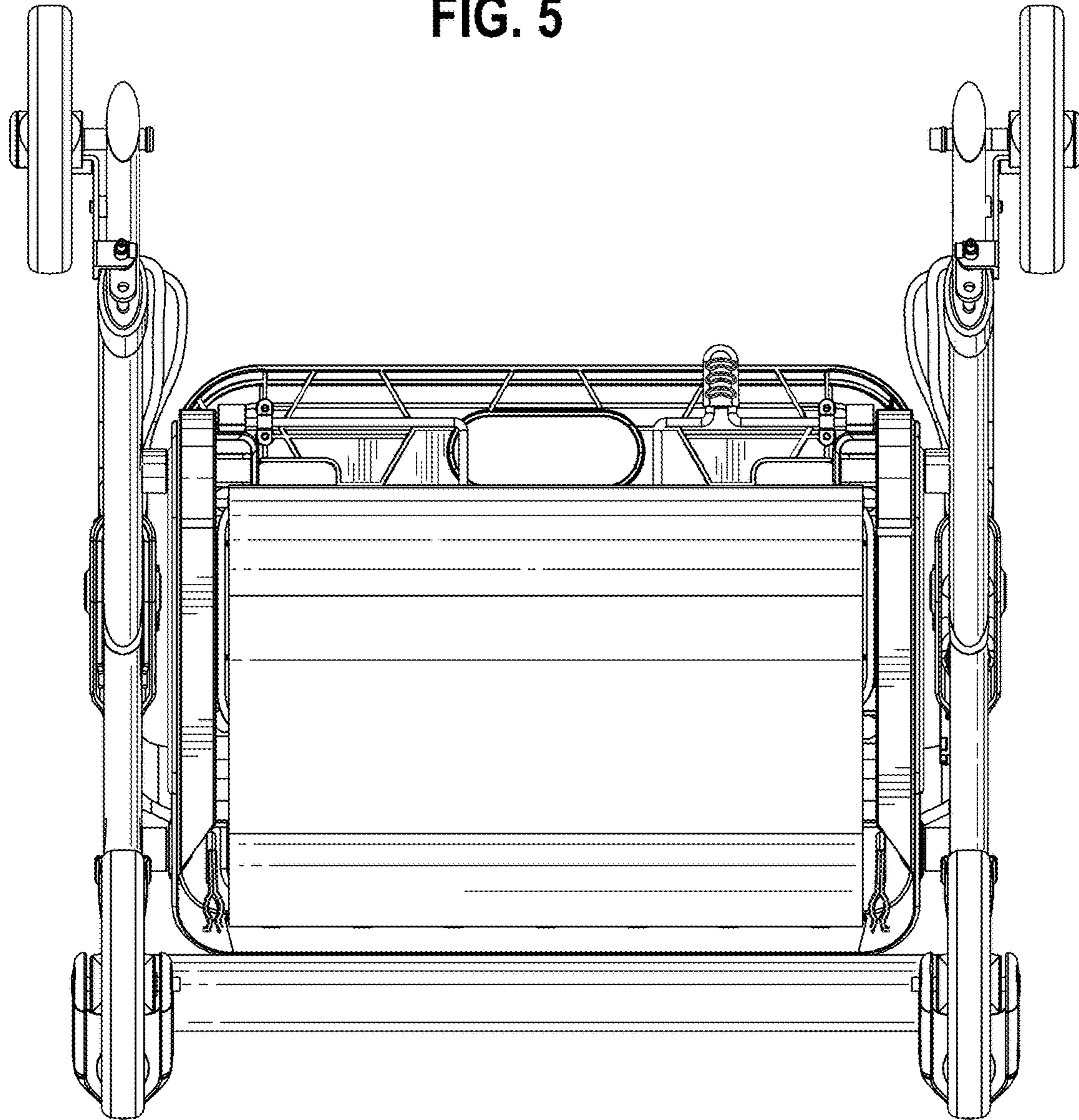




FIG. 6

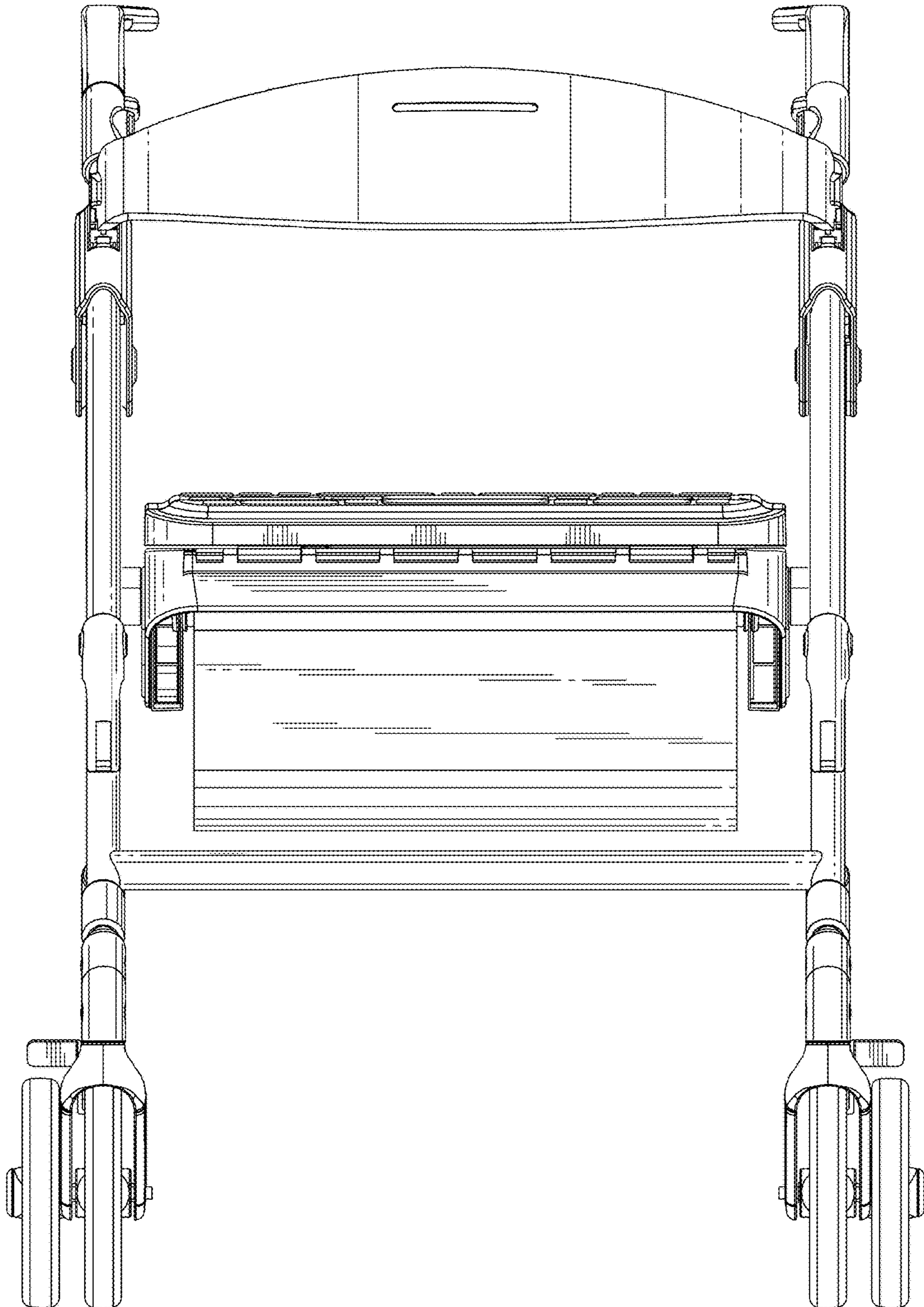


FIG. 7

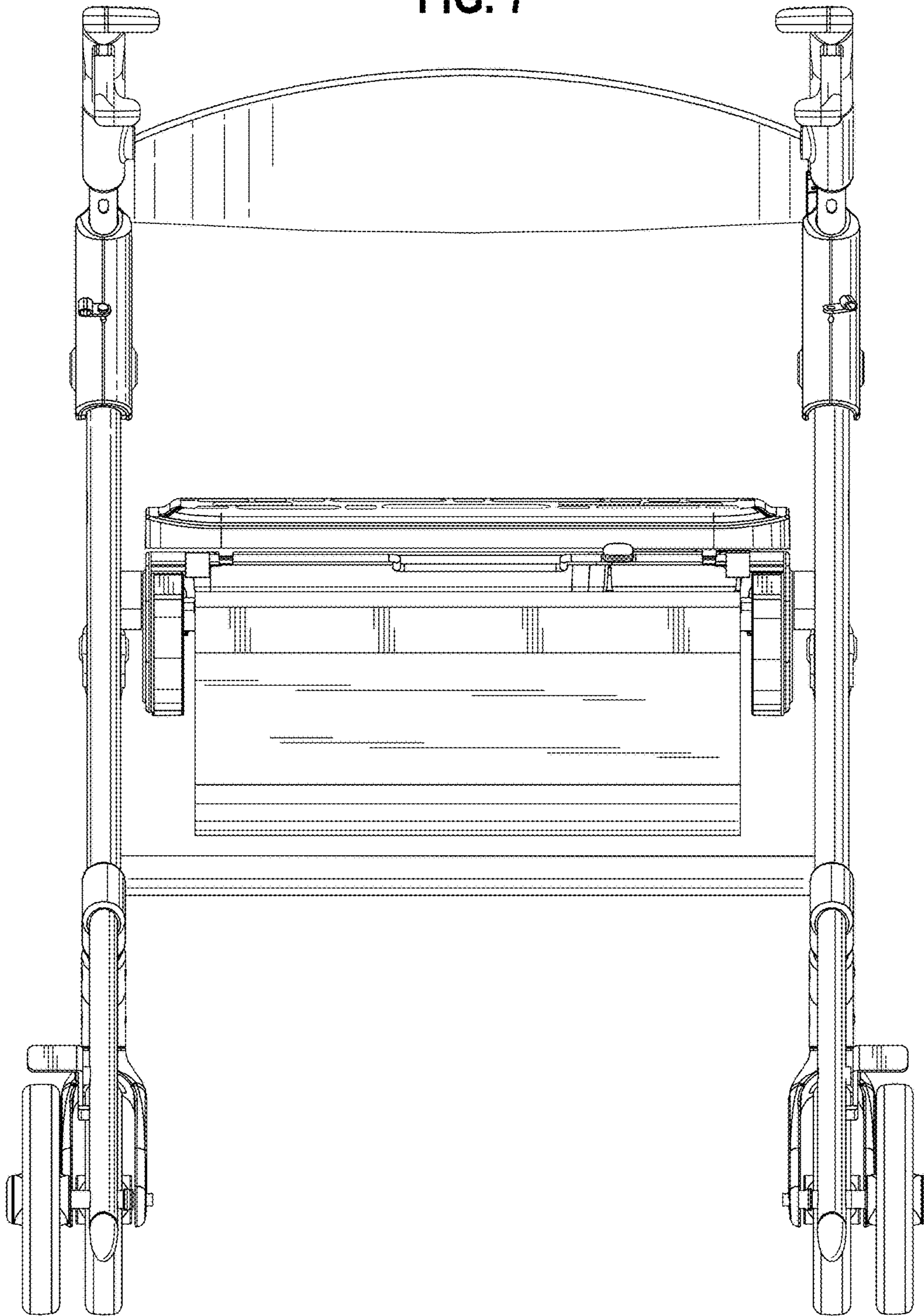




FIG. 8

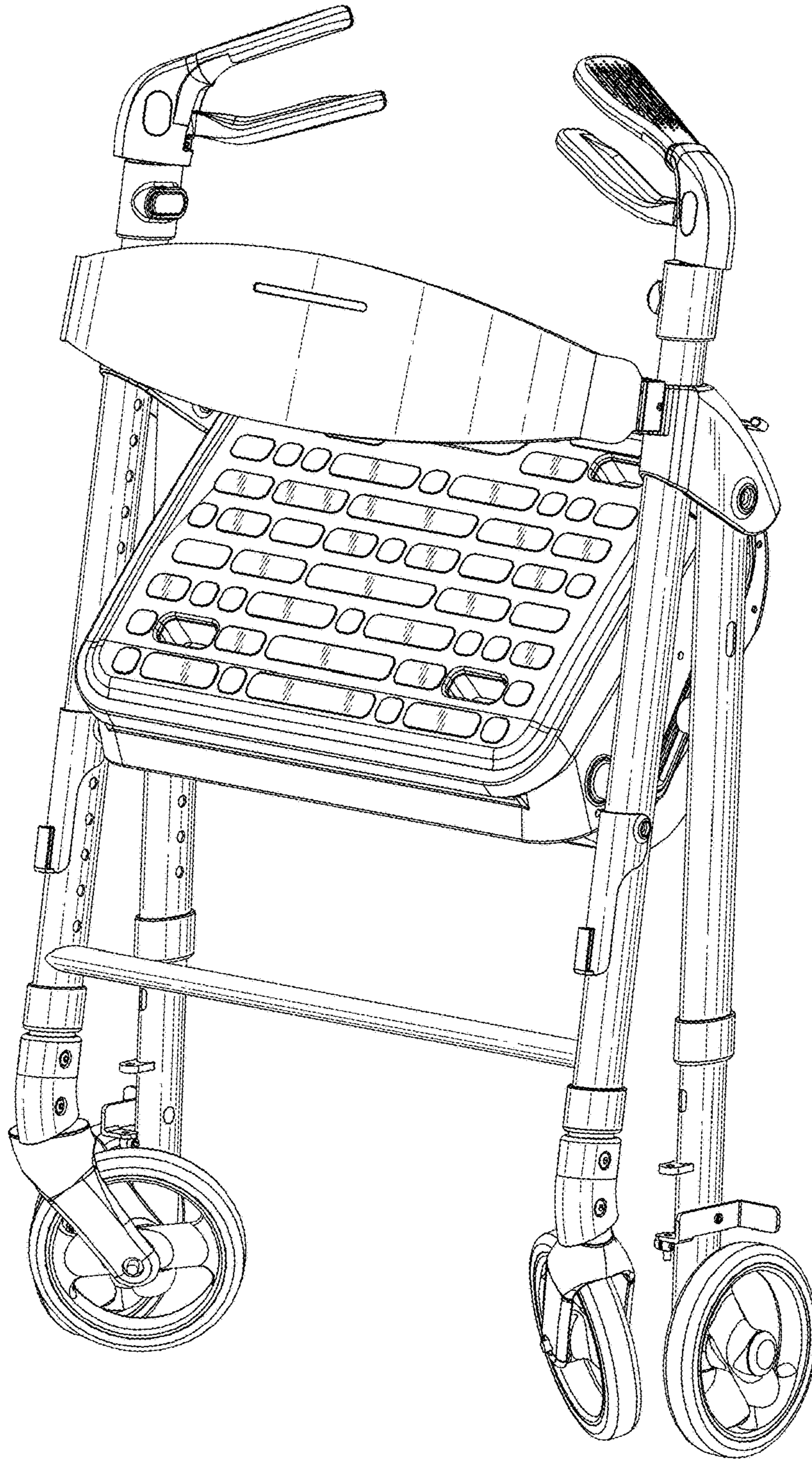


FIG. 9

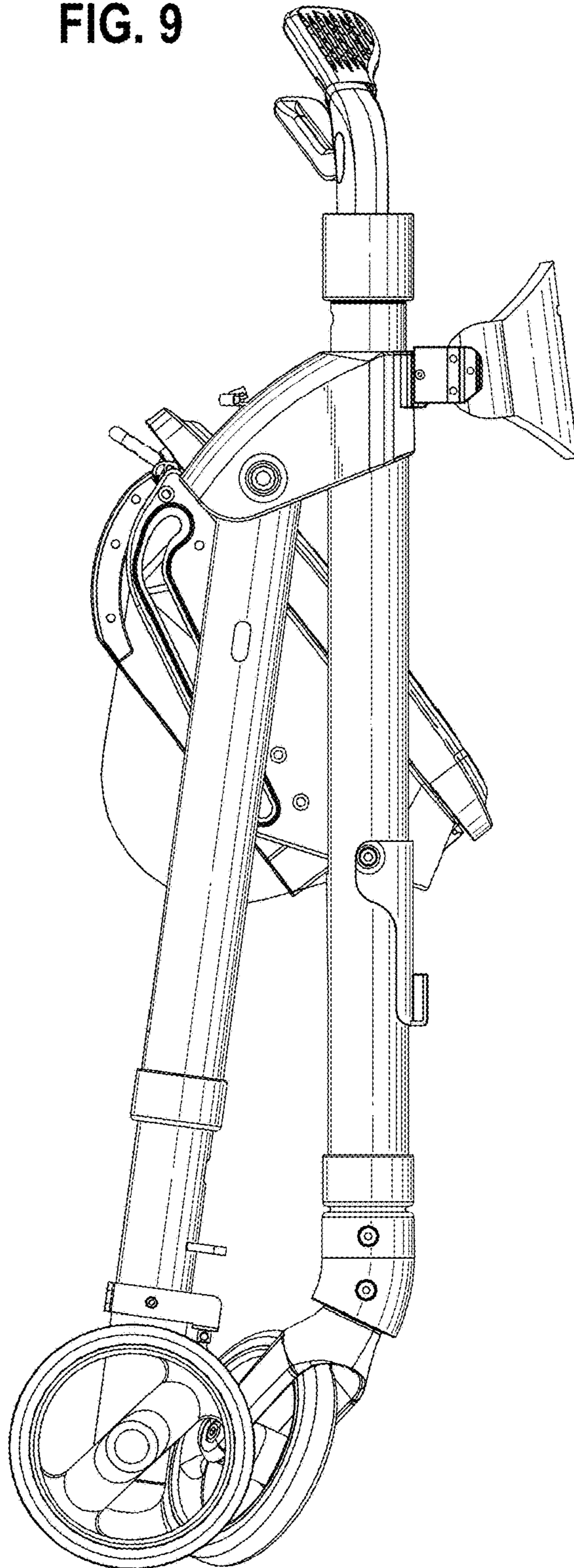




FIG. 10

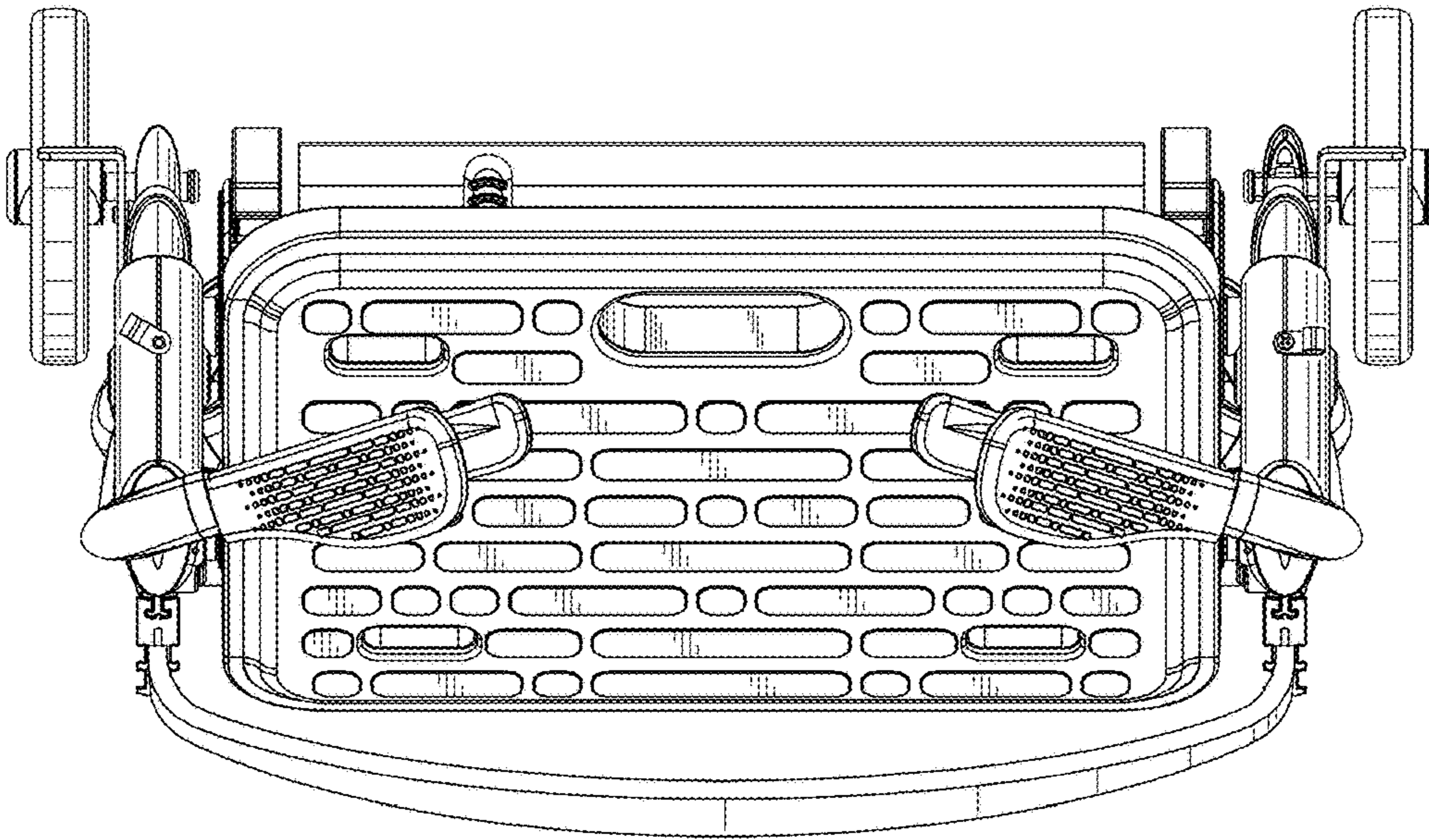


FIG. 11

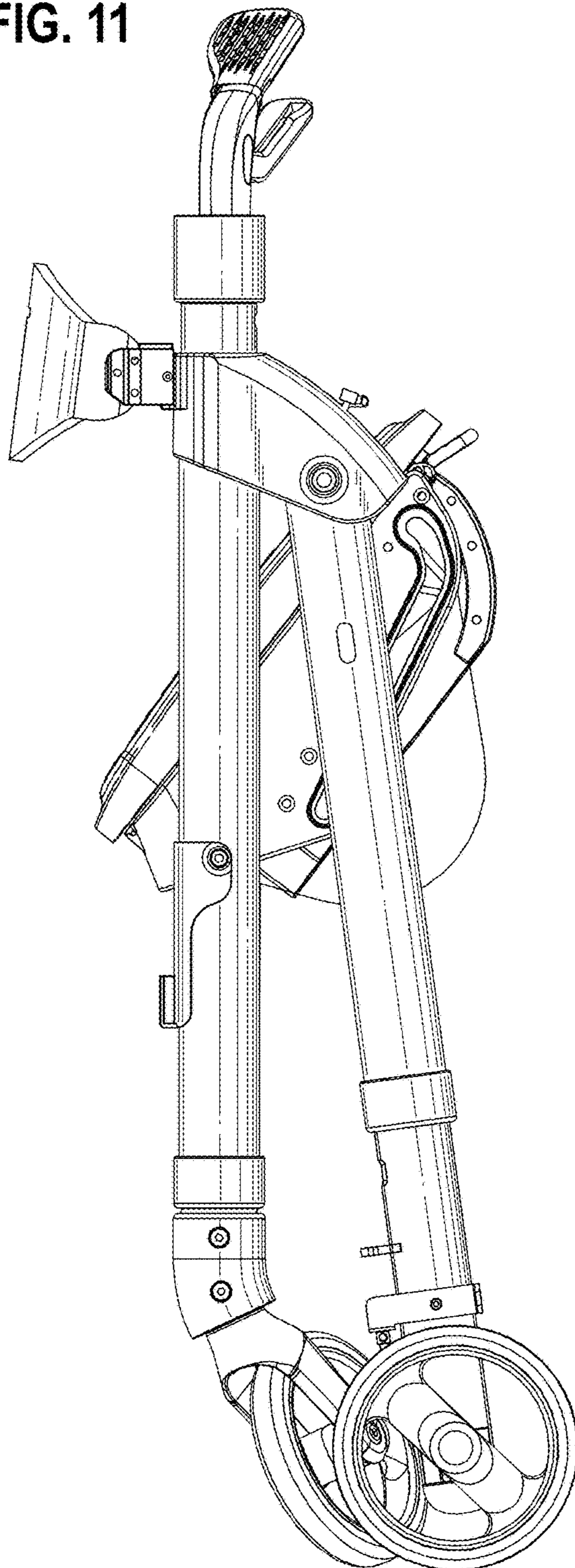




FIG. 12

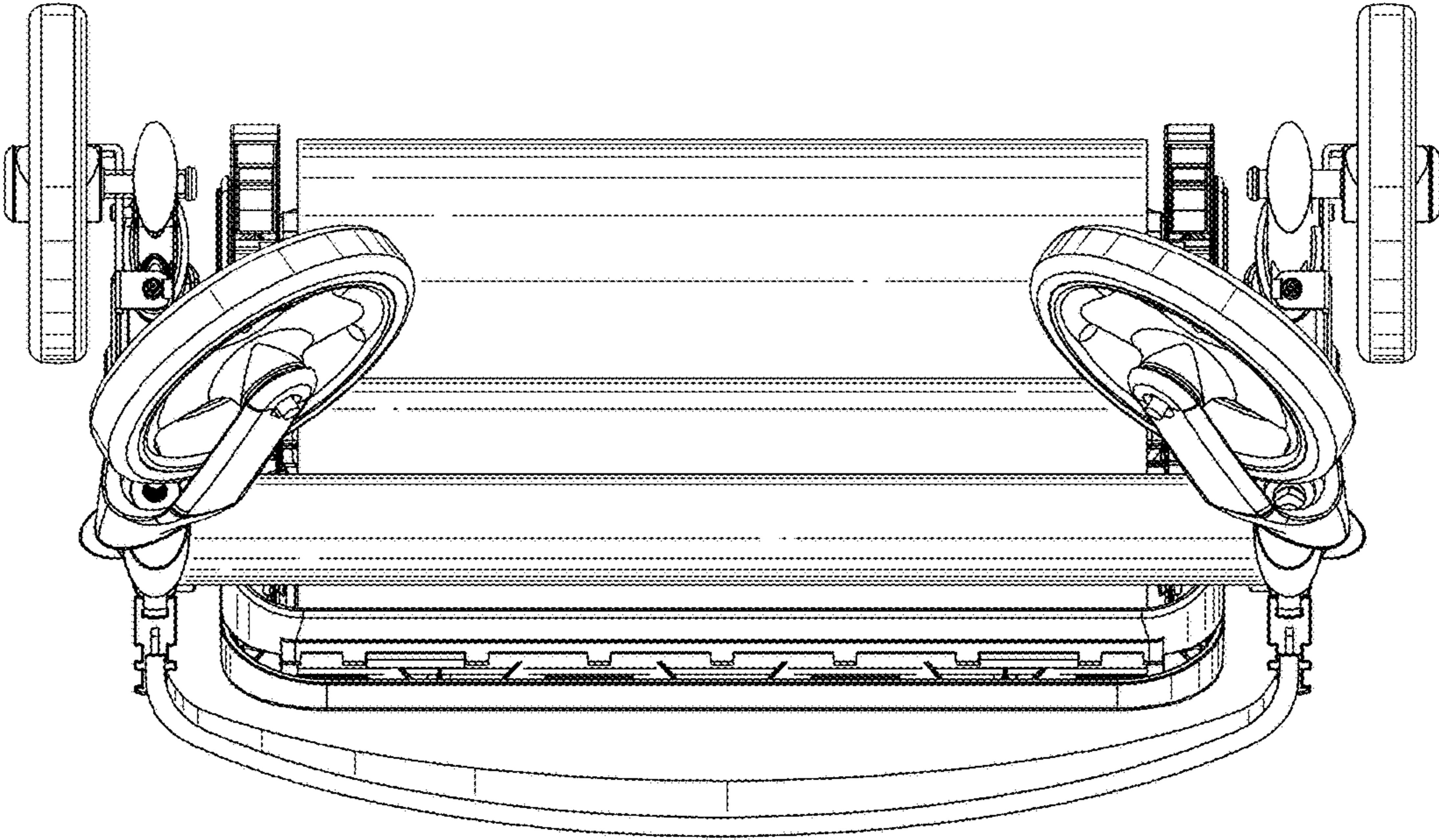


FIG. 13

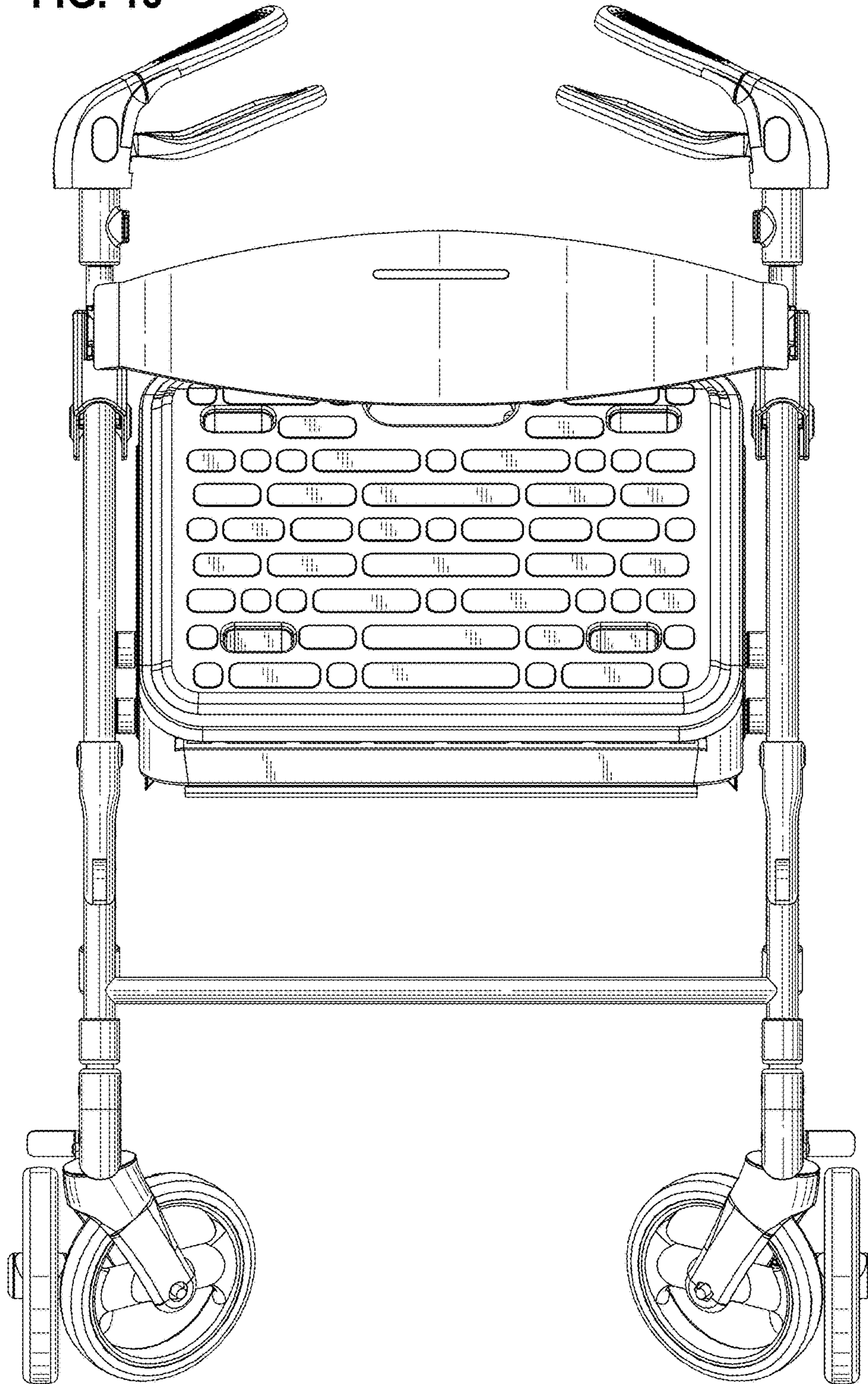


FIG. 14

