



US00D857558S

(12) **United States Design Patent** (10) **Patent No.:** **US D857,558 S**
Allais (45) **Date of Patent:** **** Aug. 27, 2019**

- (54) **RIDING DEVICE**
- (71) Applicant: **Denis Allais**, Auckland (NZ)
- (72) Inventor: **Denis Allais**, Auckland (NZ)
- (**) Term: **15 Years**
- (21) Appl. No.: **29/624,042**
- (22) Filed: **Oct. 30, 2017**
- (51) **LOC (12) Cl.** **12-11**
- (52) **U.S. Cl.**
USPC **D12/112; D21/426**
- (58) **Field of Classification Search**
USPC D21/412, 414, 431-435; D12/1, 107,
D12/110-114, 129, 130, 133
CPC A63G 25/00; B62D 21/183; B62D 39/00;
B60K 7/0007
See application file for complete search history.

(56) **References Cited**

U.S. PATENT DOCUMENTS

4,497,502	A *	2/1985	Forbes	B62D 9/02
					280/240
D369,130	S *	4/1996	Cummings	D12/112
5,568,935	A *	10/1996	Mason	B62K 3/005
					280/266
D378,996	S *	4/1997	Ysker	D12/110
D425,453	S *	5/2000	Manescalchi	D12/110
D460,723	S *	7/2002	Smit	D12/112
D465,439	S *	11/2002	van de Vrie	D12/112
D480,335	S *	10/2003	James	D12/110
D480,664	S *	10/2003	James	D12/110
D480,993	S *	10/2003	James	D12/110
D483,300	S *	12/2003	James	D12/110
D483,420	S *	12/2003	DeLong	D21/424
D485,514	S *	1/2004	Berg	D12/112
D492,917	S *	7/2004	Pedersen	D12/110
D494,106	S *	8/2004	Doll	D12/110
D494,107	S *	8/2004	Lin	D12/110
D498,179	S *	11/2004	James	D12/110

D498,708	S *	11/2004	James	D12/110
D498,709	S *	11/2004	Sramek	D12/112
D504,358	S *	4/2005	Miller, Jr.	D12/110
D510,546	S *	10/2005	Doll	D12/110
D512,345	S *	12/2005	Beich	D12/110
D515,470	S *	2/2006	Sroufe	D12/110
D516,962	S *	3/2006	Oosterveer	D12/112
D517,451	S *	3/2006	Alsop	D12/110
D517,453	S *	3/2006	Oosterveer	D12/112
D518,417	S *	4/2006	Oosterveer	D12/112
D522,928	S *	6/2006	Brown	B62K 11/06
					D12/110
D533,116	S *	12/2006	Sroufe	D12/110

(Continued)

OTHER PUBLICATIONS

Ezyroller, <https://web.archive.org/web/20161009051829/http://www.ezyroller.com:80/products/drifter>, Product: Drifter, webpage date: Oct. 9, 2016 (3 pages).

(Continued)

Primary Examiner — Darlington Ly

(74) *Attorney, Agent, or Firm* — Nixon & Vanderhye P.C.

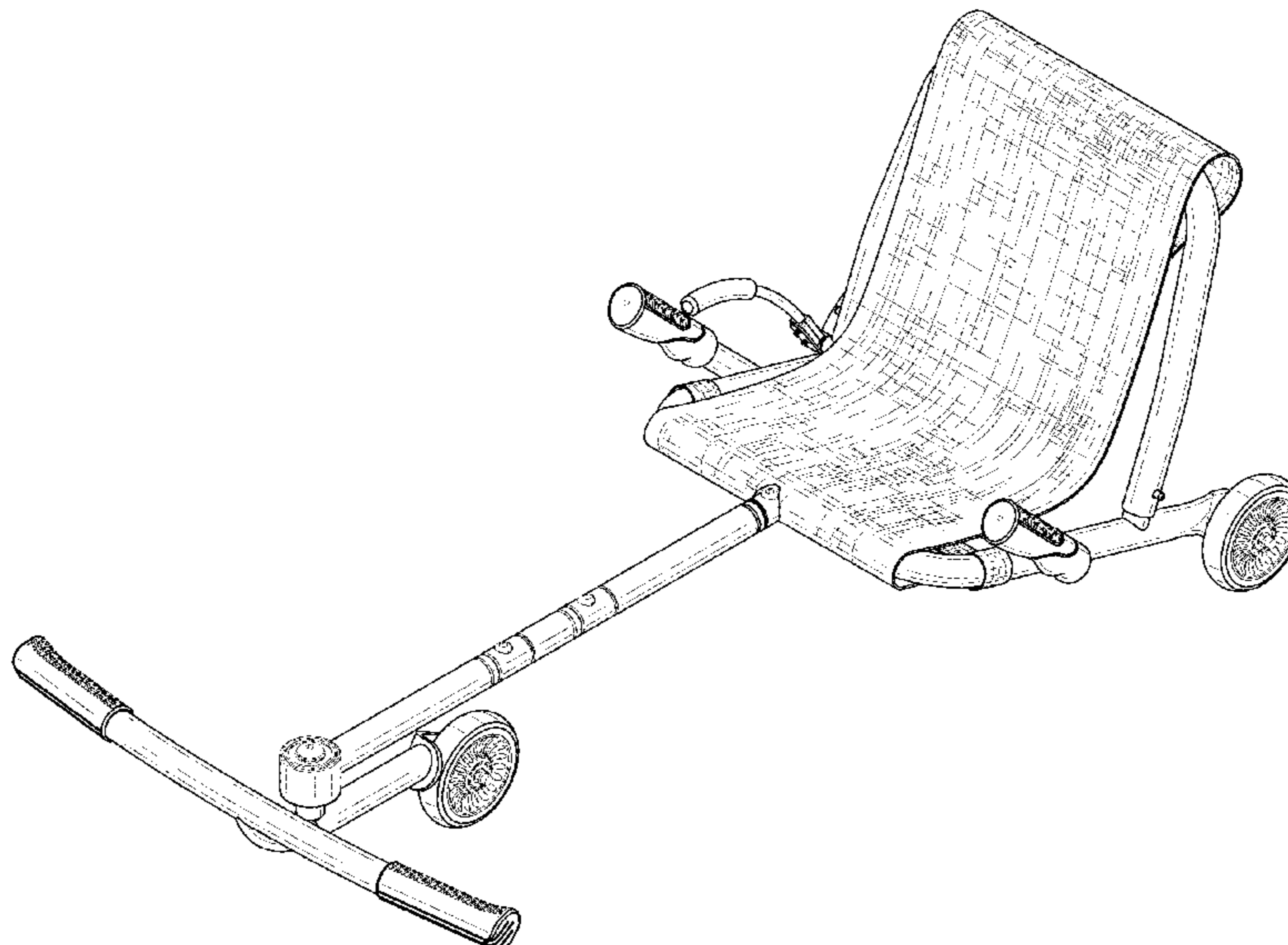
(57) **CLAIM**

The ornamental design for a riding device, as shown and described.

DESCRIPTION

FIG. 1 is a top, front, and left side perspective view of a riding device showing my new design; FIG. 2 is a front elevation view thereof; FIG. 3 is a rear elevation view thereof; FIG. 4 is a top plan view thereof; FIG. 5 is a bottom plan view thereof; FIG. 6 is a left side elevation view thereof; FIG. 7 is a right side elevation view thereof; and, FIG. 8 is a bottom, rear, and right side perspective view thereof.

1 Claim, 7 Drawing Sheets



(56)

References Cited

U.S. PATENT DOCUMENTS

D538,715 S * 3/2007 Brodsky D12/110
D564,947 S * 3/2008 Garcia D12/110
D576,080 S * 9/2008 James D12/110
7,490,688 B2 * 2/2009 Yamamoto B62H 1/02
180/227
D601,926 S * 10/2009 Kingsbury D12/110
D608,250 S * 1/2010 Van De Vrie D12/112
D618,596 S * 6/2010 Song D12/110
D626,038 S * 10/2010 Li D12/112
7,934,738 B2 * 5/2011 Prielinger B62K 19/06
180/219
D680,913 S * 4/2013 Lofgren D12/112
D682,746 S * 5/2013 Doherty D12/112
D693,415 S * 11/2013 Doherty D12/112
9,278,723 B2 * 3/2016 Merette B62K 3/005
D761,700 S * 7/2016 Kermani D12/112
9,457,863 B2 * 10/2016 Sugita B62K 11/04
D774,981 S * 12/2016 Chen D12/112
D776,016 S * 1/2017 Androski D12/112
D777,608 S * 1/2017 Androski D12/112
D824,291 S * 7/2018 Hsieh D12/112
2011/0248467 A1 * 10/2011 Ball B62K 3/005
280/259

OTHER PUBLICATIONS

Ezyroller, <https://web.archive.org/web/20161008143324/http://www.ezyroller.com:80/products/classic>, Product: EzyRoller Classic, webpage date: Oct. 9, 2016 (4 pages).

* cited by examiner

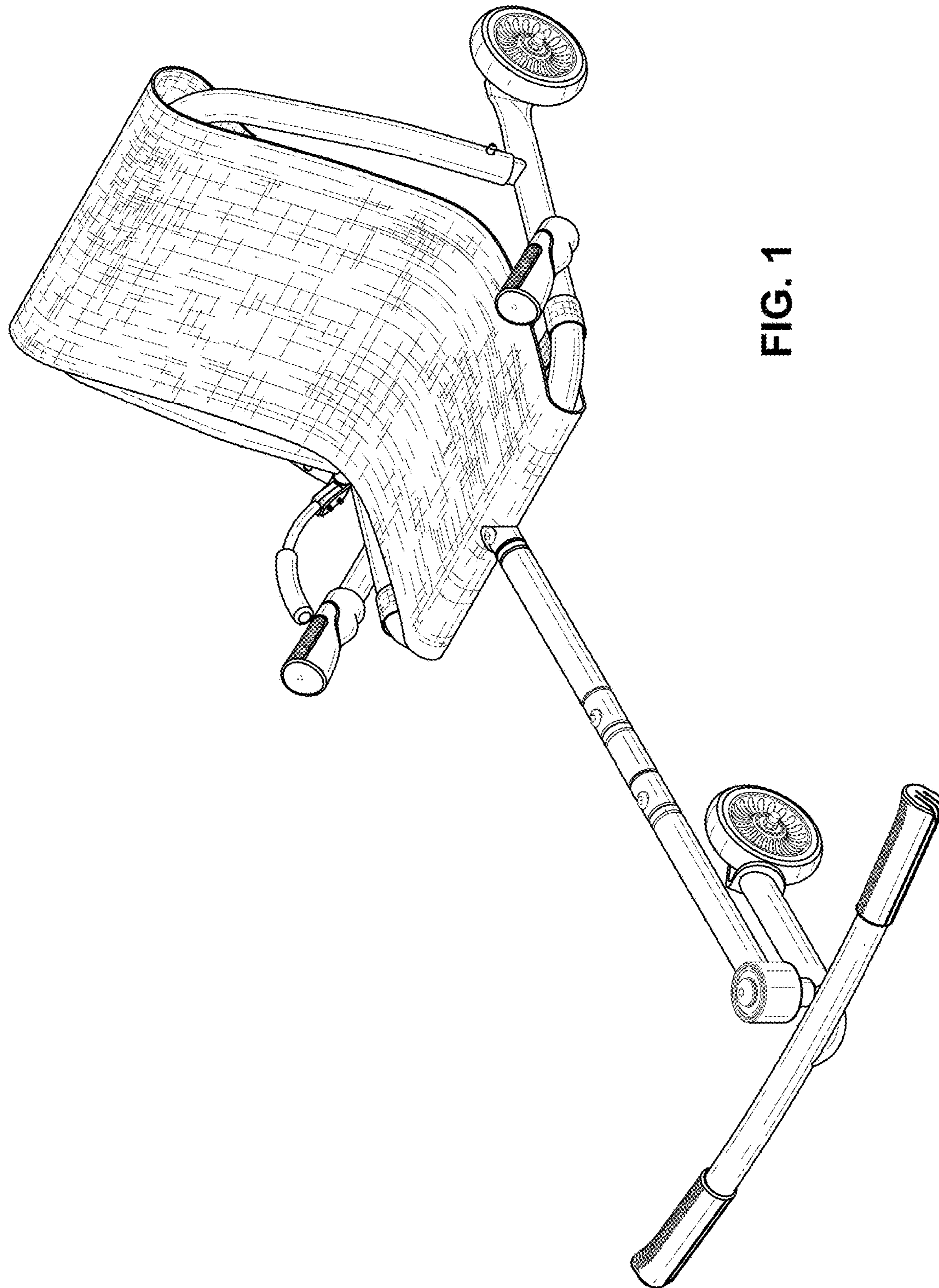


FIG. 1

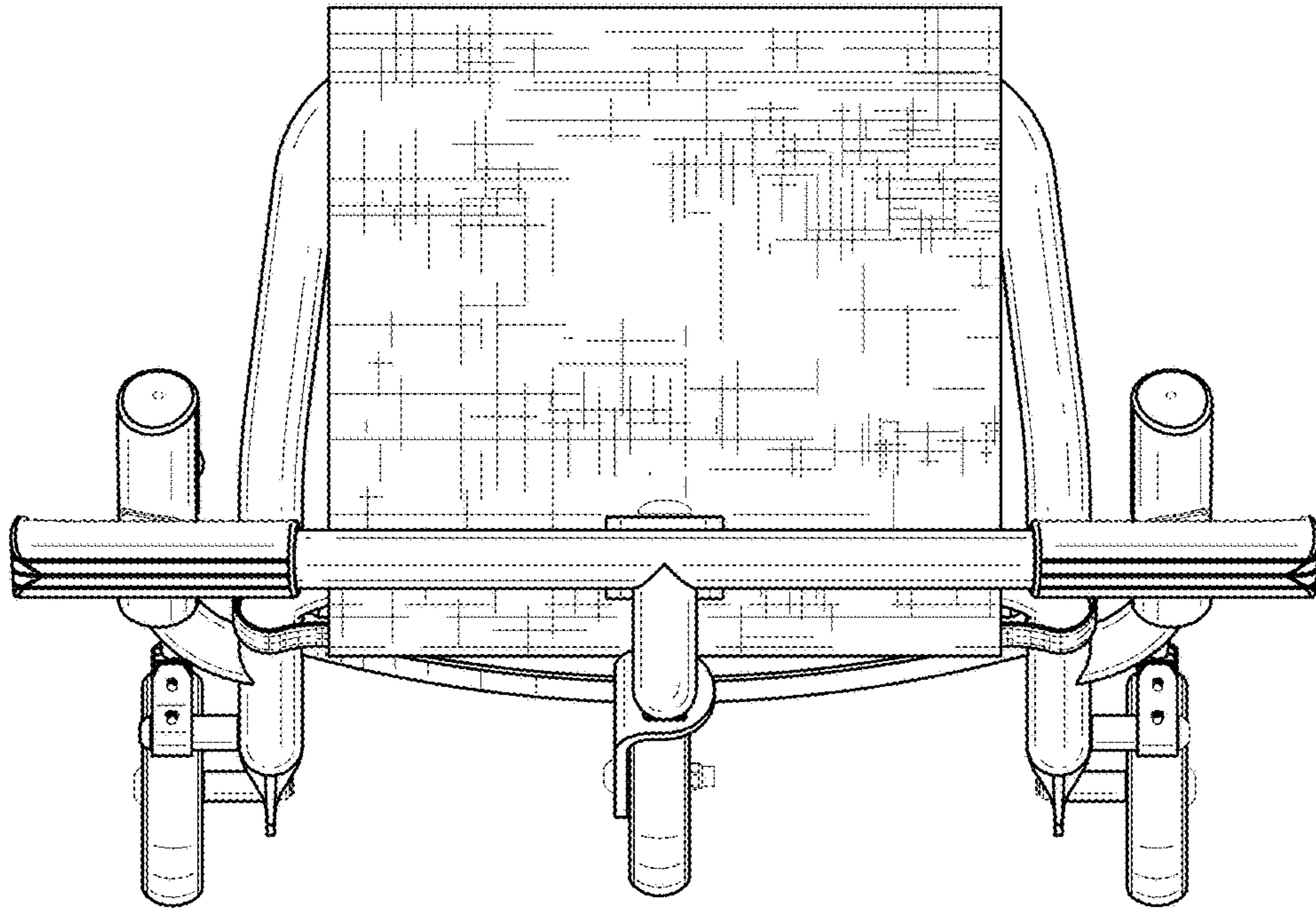


FIG. 2

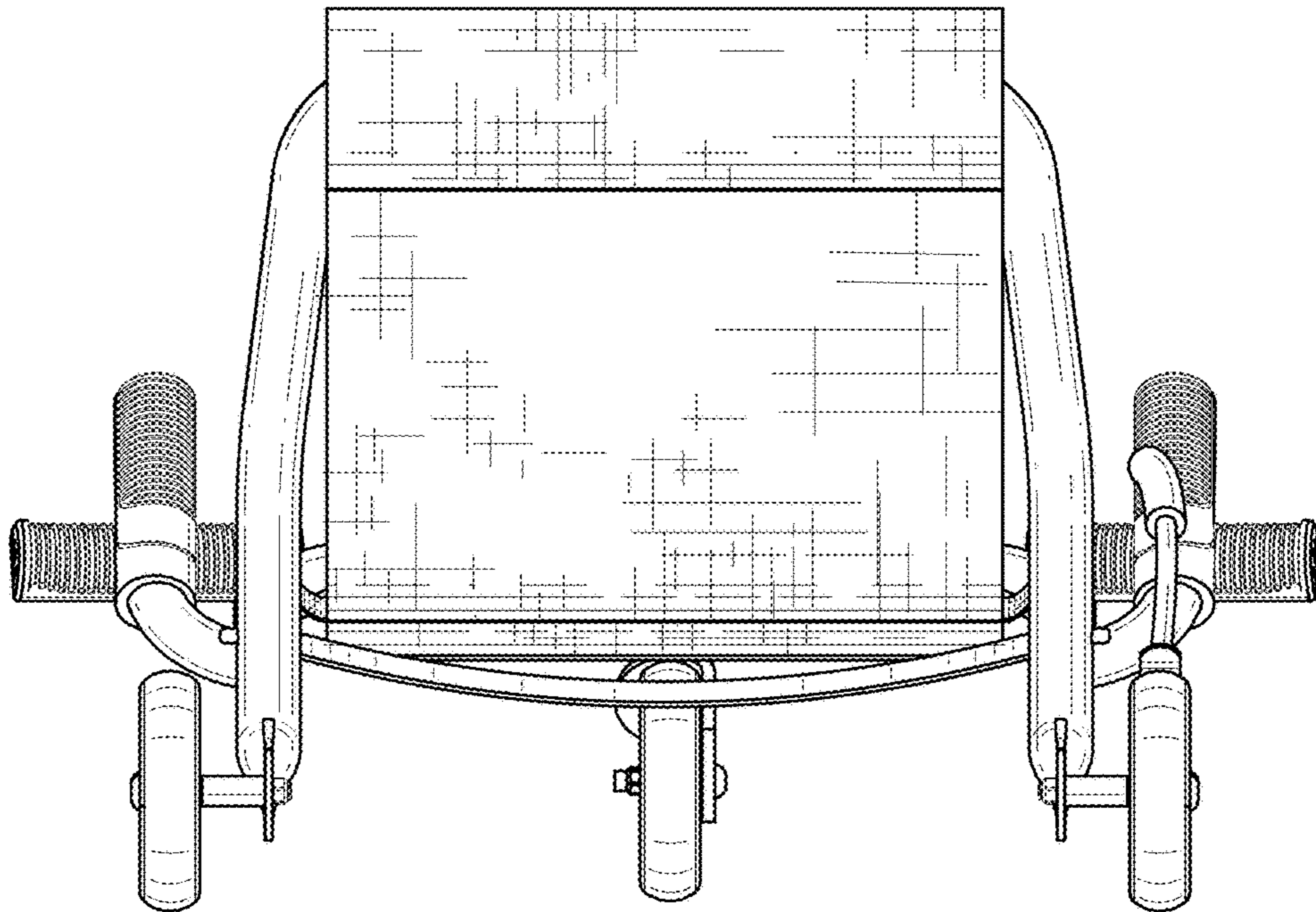


FIG. 3

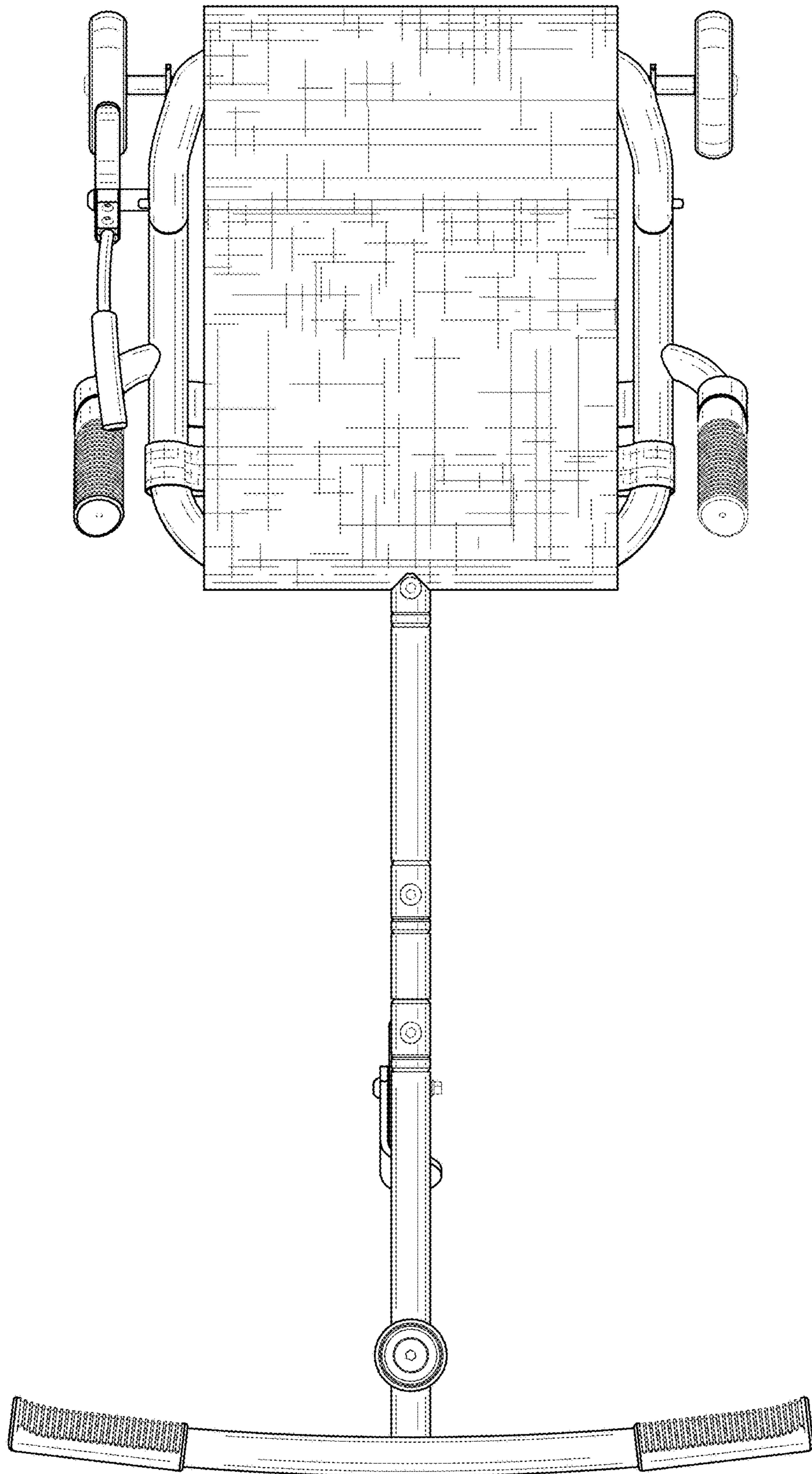


FIG. 4

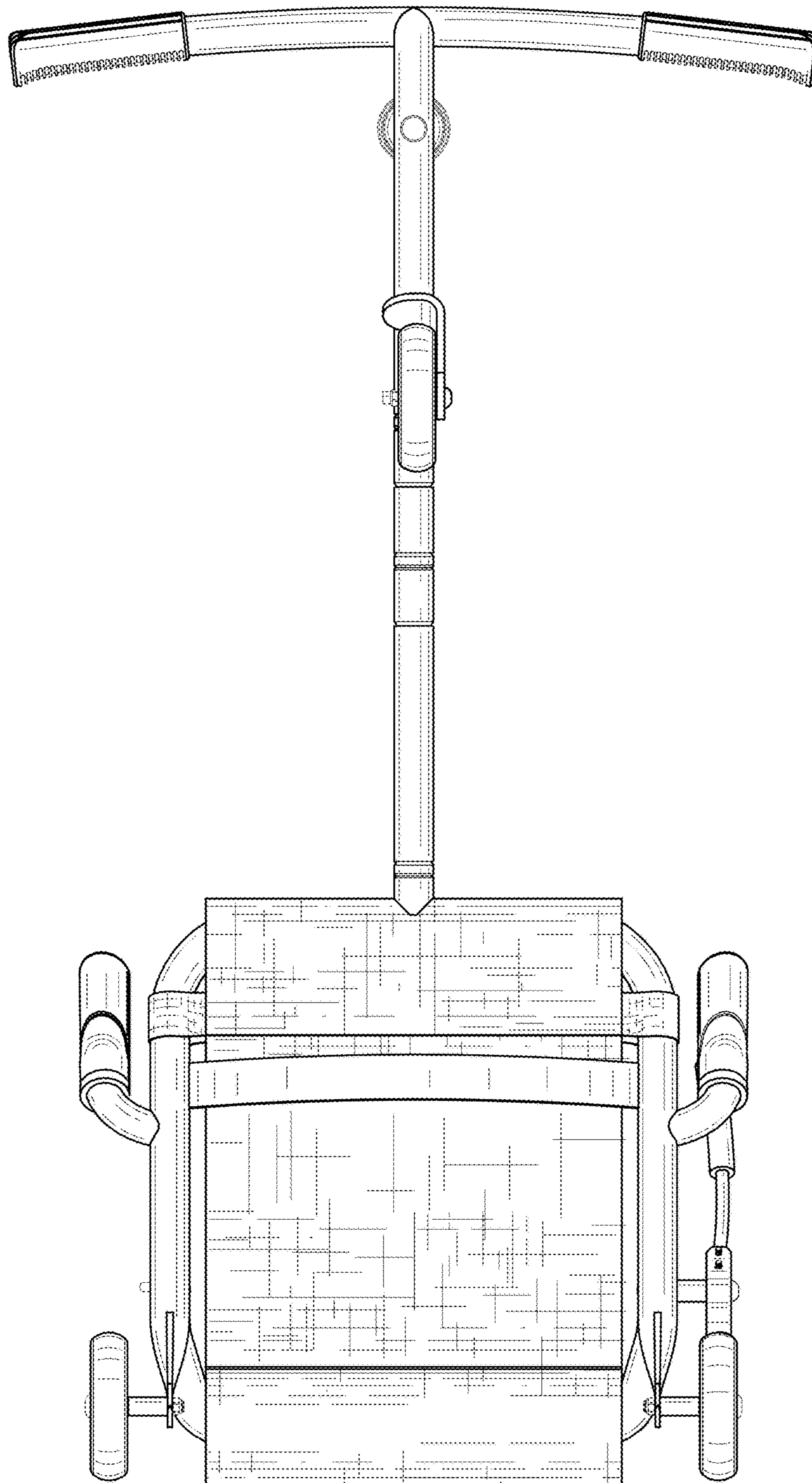


FIG. 5

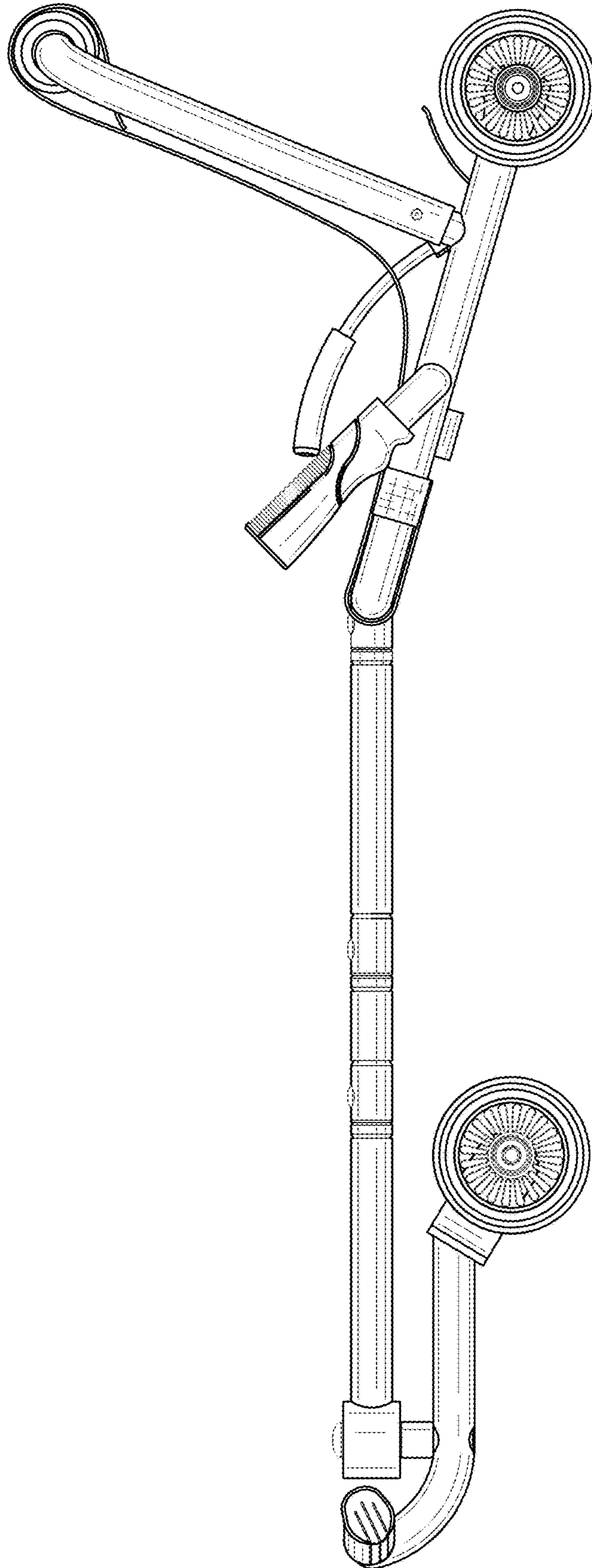


FIG. 6

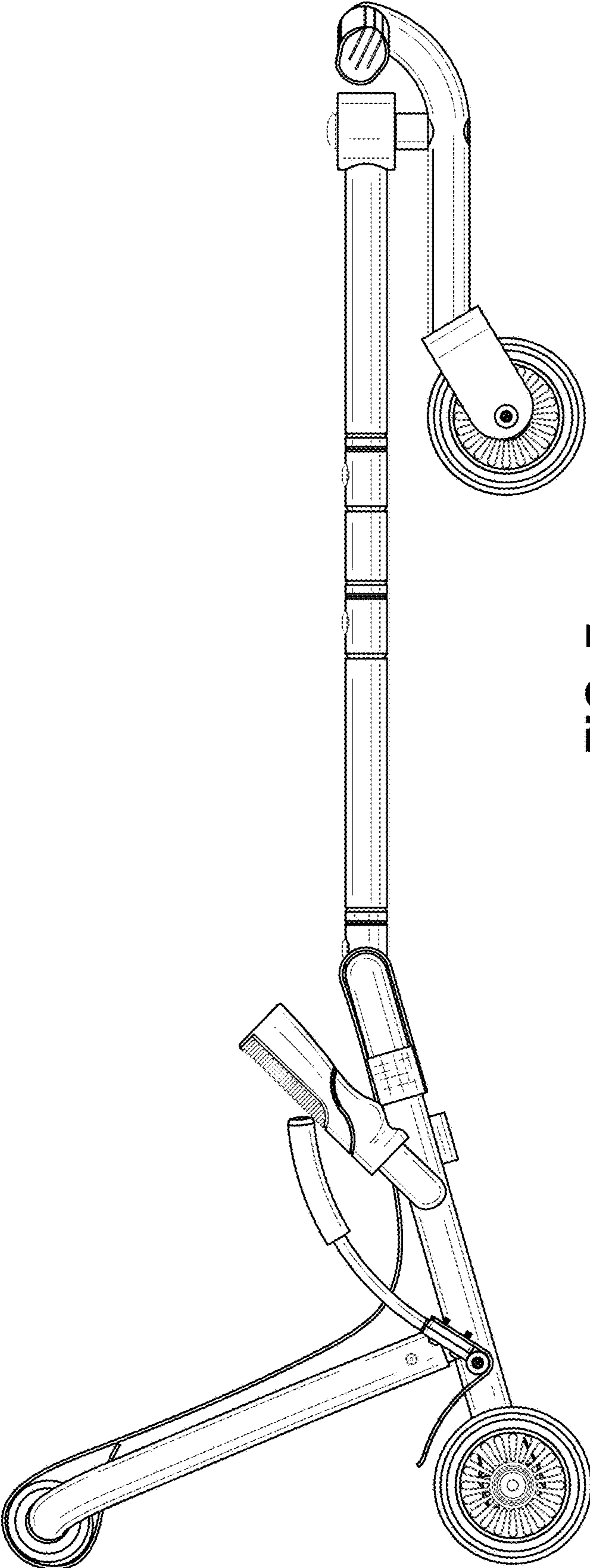


FIG. 7

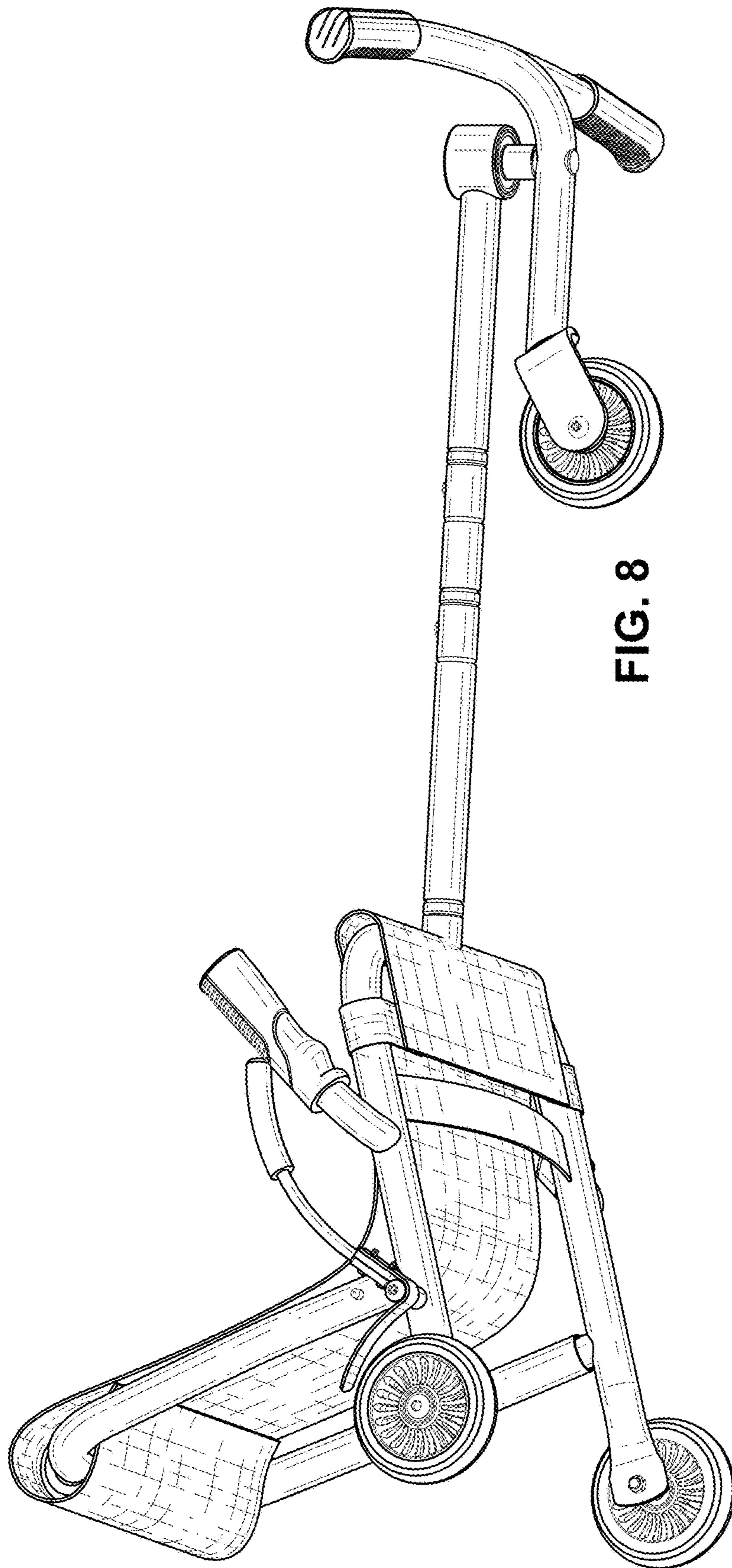


FIG. 8