



US00D857557S

(12) **United States Design Patent** (10) **Patent No.:** **US D857,557 S**  
**Badstuebner et al.** (45) **Date of Patent:** **\*\* Aug. 27, 2019**

(54) **VEHICLE, TOY, AND/OR REPLICAS THEREOF**  
(71) Applicant: **Daimler AG**, Stuttgart (DE)  
(72) Inventors: **Achim-Dietrich Badstuebner**, Munich (DE); **Marco Cartarius**, Weil im Schoenbuch (DE); **Mark Fetherston**, Stuttgart (DE); **Robert Lesnik**, Leonberg (DE); **Andreas Rommel**, Sindelfingen (DE); **Slavche Tanevski**, Munich (DE); **Gorden Wagener**, Gaeufelden (DE)

(73) Assignee: **Daimler AG**, Stuttgart (DE)  
(\*\*) Term: **15 Years**

(21) Appl. No.: **29/643,266**

(22) Filed: **Apr. 6, 2018**

(30) **Foreign Application Priority Data**

Oct. 9, 2017 (WO) ..... DM/098010

(51) **LOC (12) Cl.** ..... **12-08**

(52) **U.S. Cl.**  
USPC ..... **D12/92**

(58) **Field of Classification Search**  
USPC .... D12/86, 90-92; D21/424, 433, 434, 533;  
296/181.1-181.5, 183.1  
CPC ..... B62D 25/00; B62D 25/06; B62D 33/00;  
B62D 35/00  
See application file for complete search history.

(56) **References Cited**

**U.S. PATENT DOCUMENTS**

D580,826 S \* 11/2008 Rhoades ..... D12/92  
D634,677 S \* 3/2011 Futschik ..... D12/164  
D634,678 S \* 3/2011 Futschik ..... D12/164

D635,059 S \* 3/2011 Futschik ..... D12/92  
D671,041 S \* 11/2012 Frei ..... D12/164  
D680,031 S 4/2013 Fetherston et al.  
D688,162 S 8/2013 Fetherston et al.  
D699,162 S \* 2/2014 Fetherston ..... D12/164  
D701,798 S \* 4/2014 Futschik ..... D12/164  
D703,584 S \* 4/2014 Futschik ..... D12/92  
D721,299 S \* 1/2015 Fetherston ..... D12/92  
D730,775 S \* 6/2015 Frenzel ..... D12/91  
D733,620 S \* 7/2015 Fetherston ..... D12/164  
D734,691 S \* 7/2015 Fetherston ..... D12/91  
D747,671 S \* 1/2016 Frei ..... D12/164  
D753,550 S \* 4/2016 Asal ..... D12/92  
D758,250 S \* 6/2016 Lesnik ..... D12/92  
D761,159 S \* 7/2016 Lesnik ..... D12/92  
D769,156 S \* 10/2016 Lesnik ..... D12/92  
D769,774 S \* 10/2016 Lesnik ..... D12/92  
D775,557 S \* 1/2017 Lesnik ..... D12/164  
D790,406 S \* 6/2017 Futschik ..... D12/92  
D790,414 S \* 6/2017 Futschik ..... D12/164

(Continued)

*Primary Examiner* — Melody N Brown

(74) *Attorney, Agent, or Firm* — Crowell & Moring LLP

(57) **CLAIM**

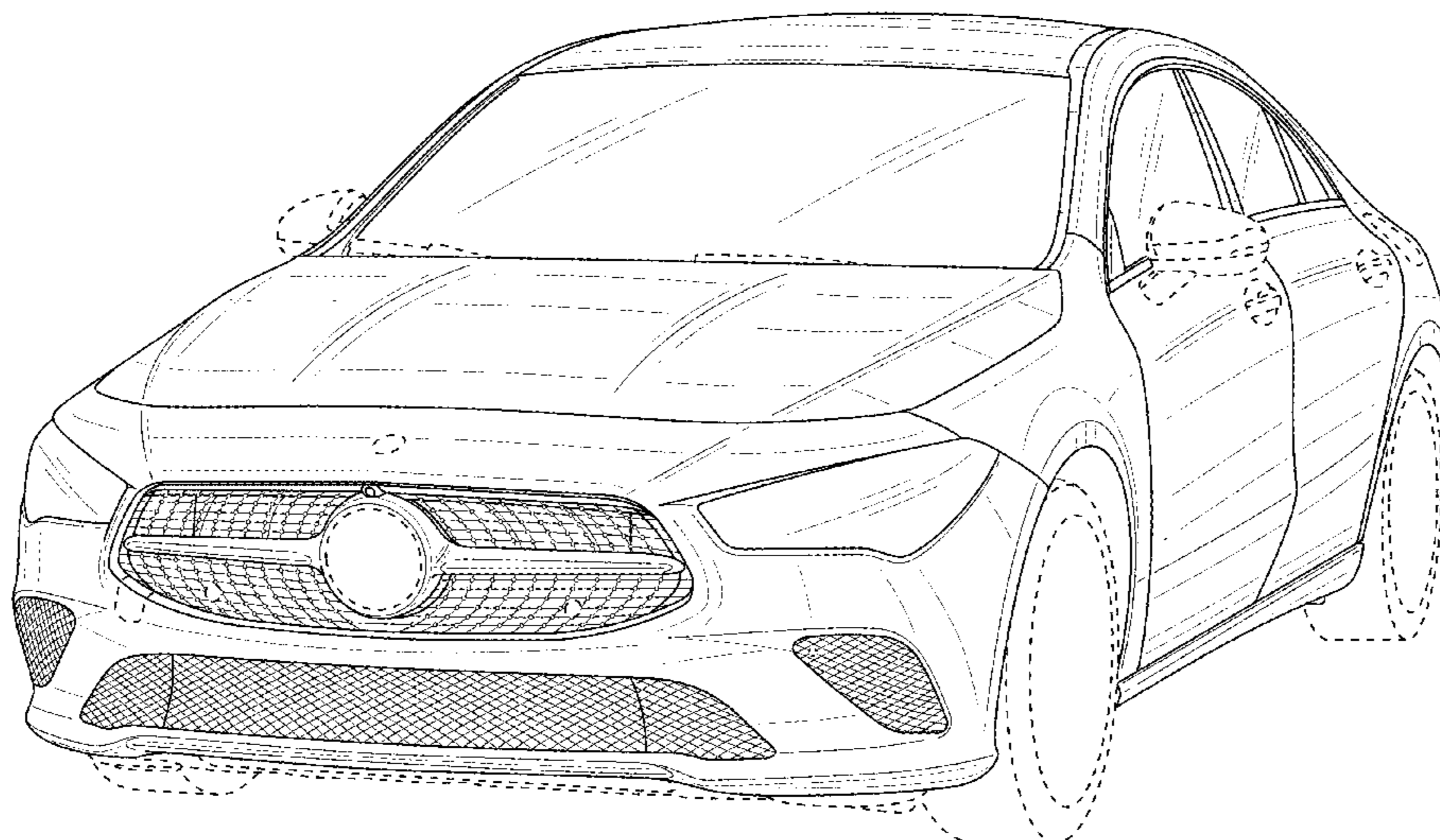
The ornamental design for a vehicle, toy, and/or replicas thereof, as shown and described.

**DESCRIPTION**

FIG. 1 is a left, front perspective view of a vehicle, toy, and/or replicas thereof according to the design;  
FIG. 2 is a left, rear perspective view thereof;  
FIG. 3 is a front view thereof;  
FIG. 4 is a rear view thereof;  
FIG. 5 is a right side view thereof;  
FIG. 6 is a left side view thereof; and,  
FIG. 7 is a top view thereof.

The broken lines in the drawings illustrate environmental subject matter only and form no part of the claimed design. Also enclosed is a set of photographs of an embodiment of the design.

**1 Claim, 7 Drawing Sheets**



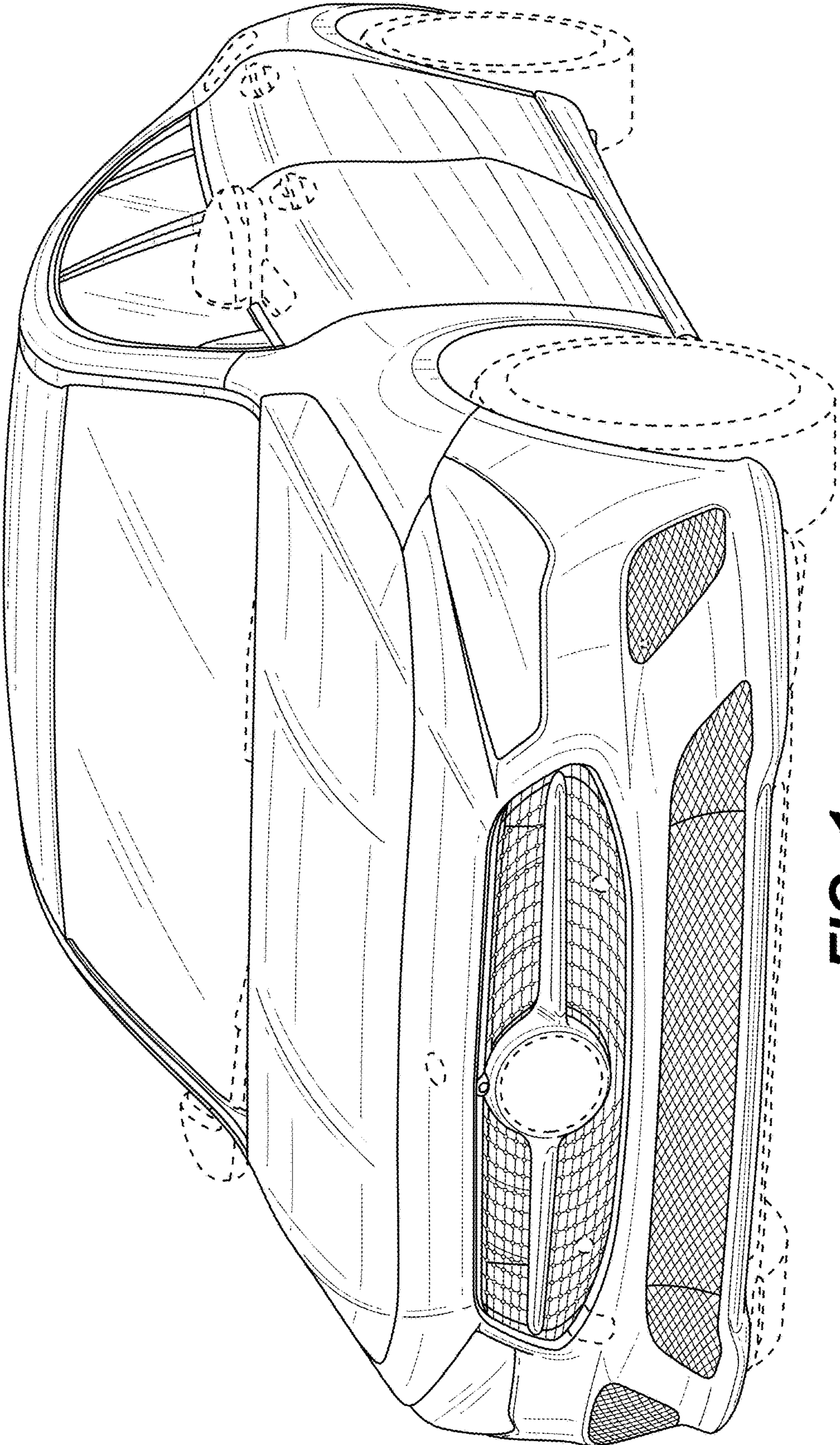
(56)

**References Cited**

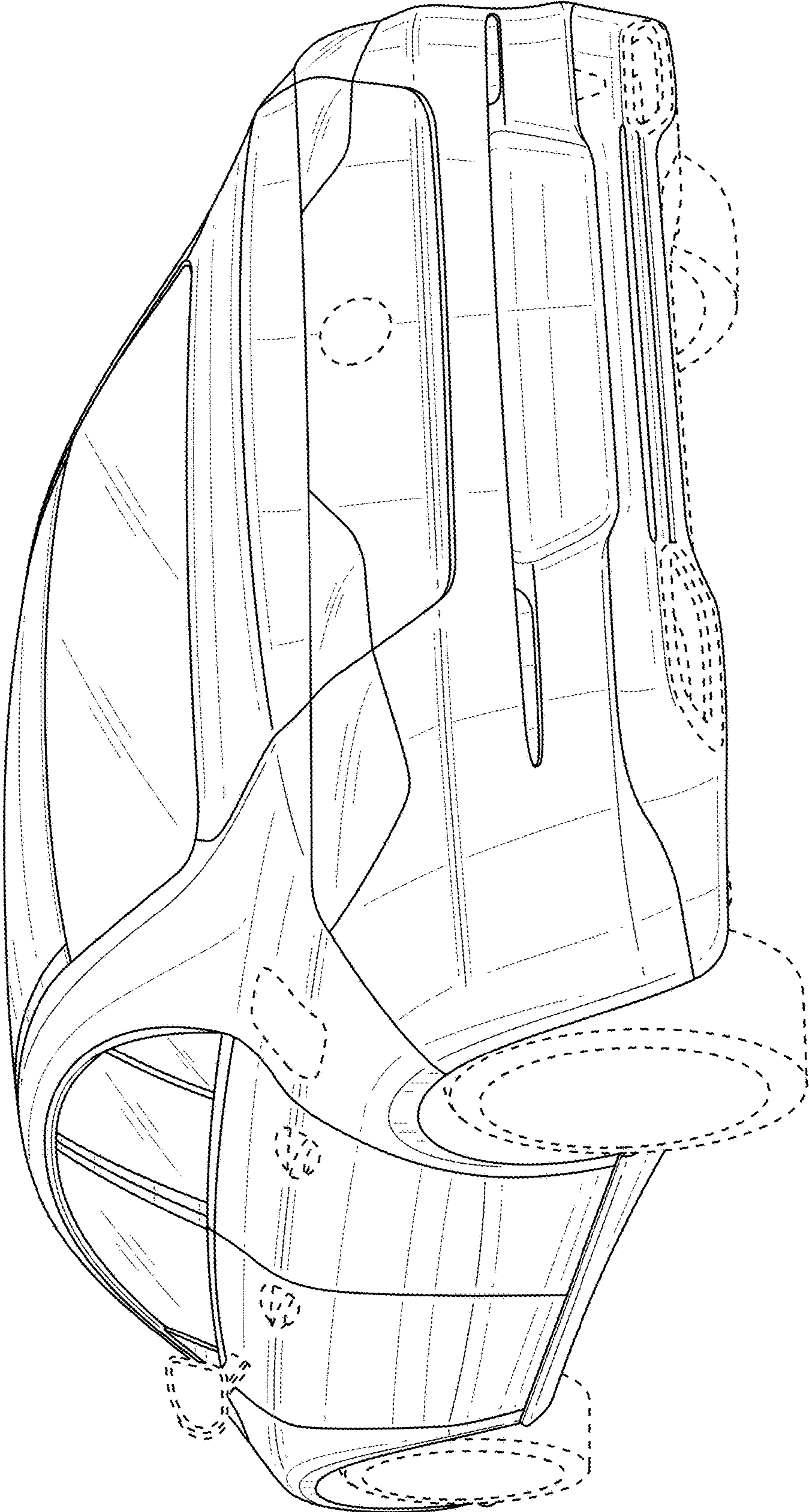
U.S. PATENT DOCUMENTS

D798,770	S	*	10/2017	Lesnik	.....	D12/92
D799,377	S	*	10/2017	Lesnik	.....	D12/92
D799,378	S	*	10/2017	Lee	.....	D12/92
D808,305	S	*	1/2018	Badstuebner	.....	D12/92
D815,989	S	*	4/2018	Badstuebner	.....	D12/92
D815,996	S	*	4/2018	Badstuebner	.....	D12/164
D824,808	S	*	8/2018	Badstuebner	.....	D12/92
D828,244	S	*	9/2018	Frei	.....	D12/164

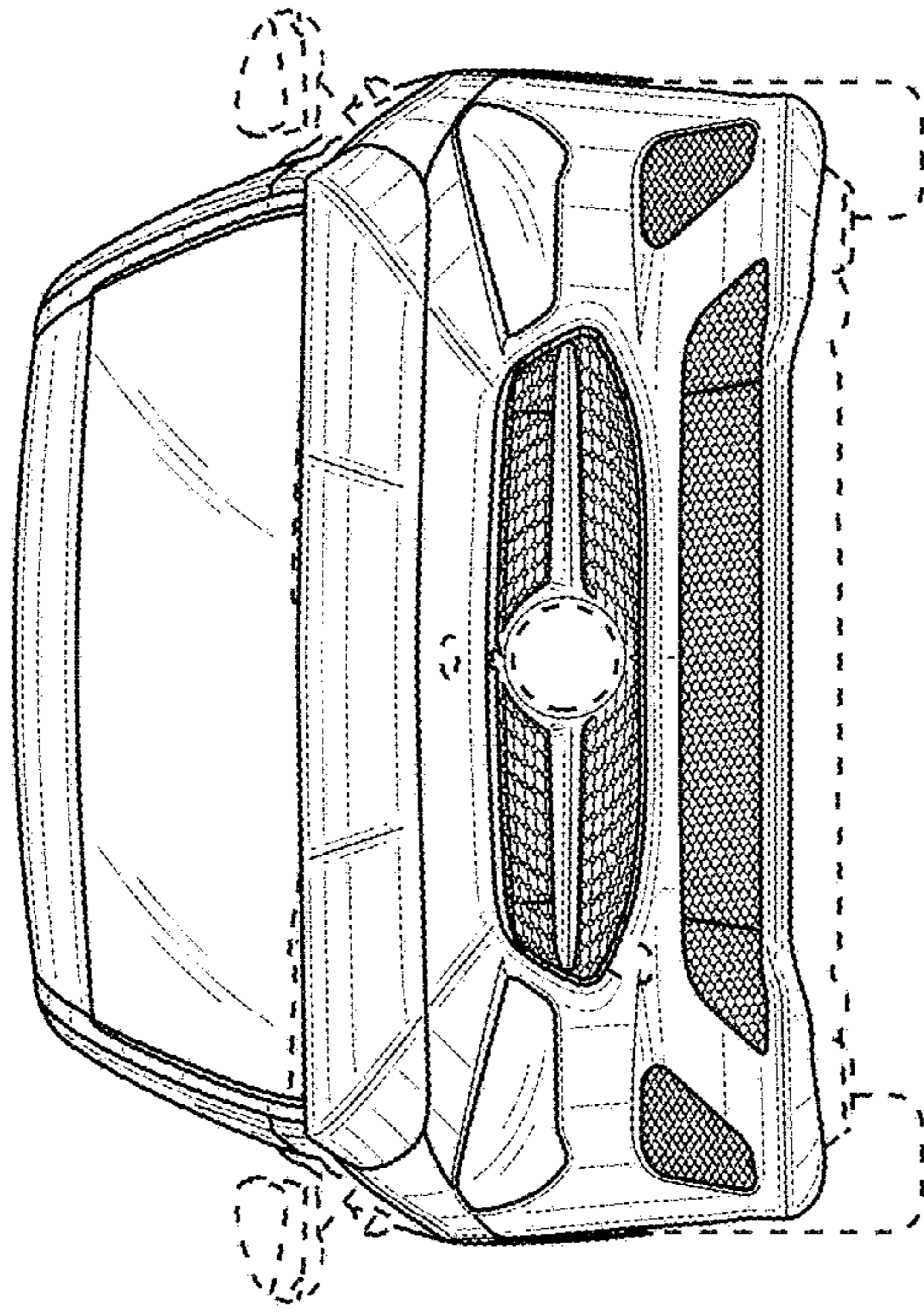
\* cited by examiner



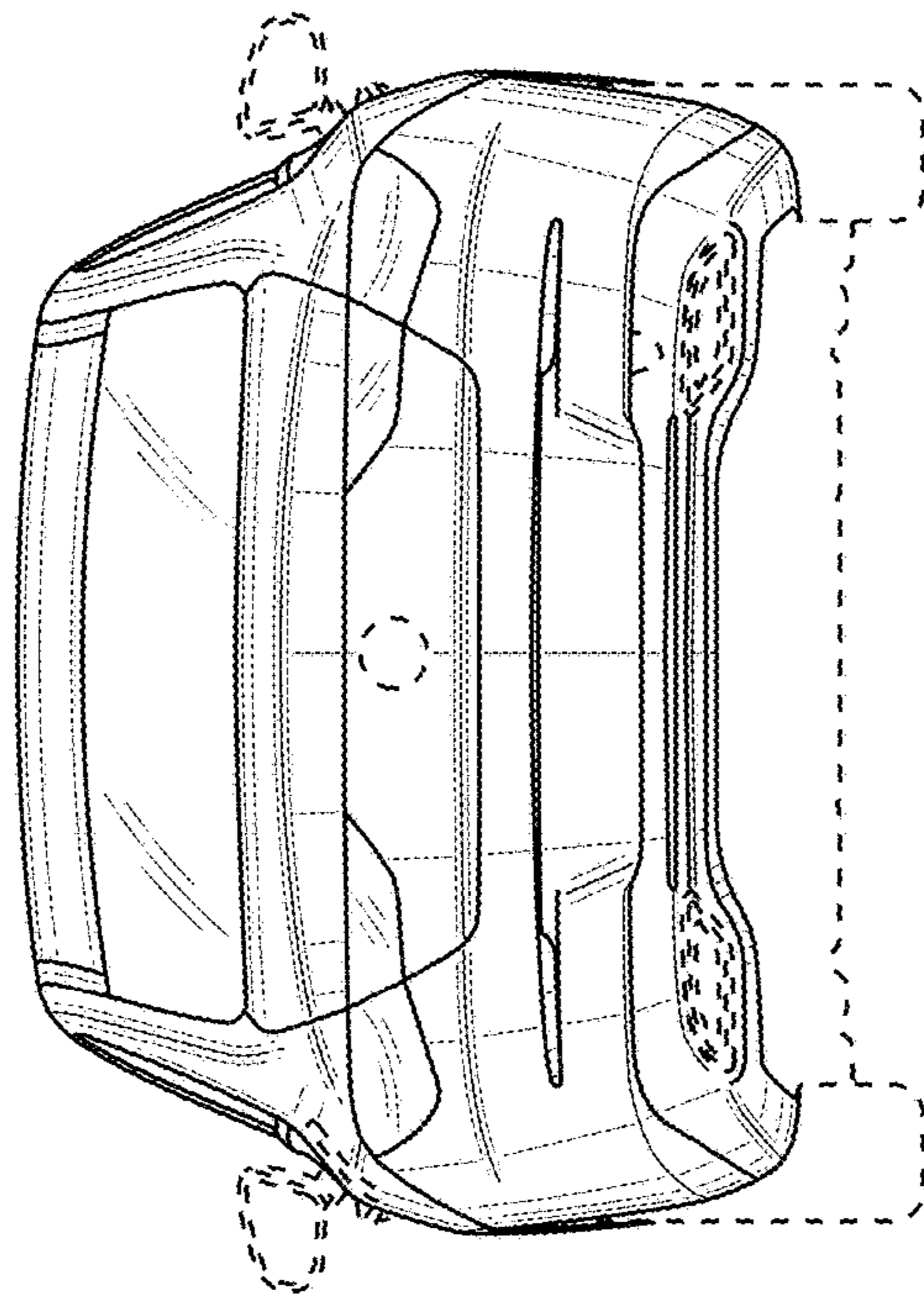
**FIG. 1**



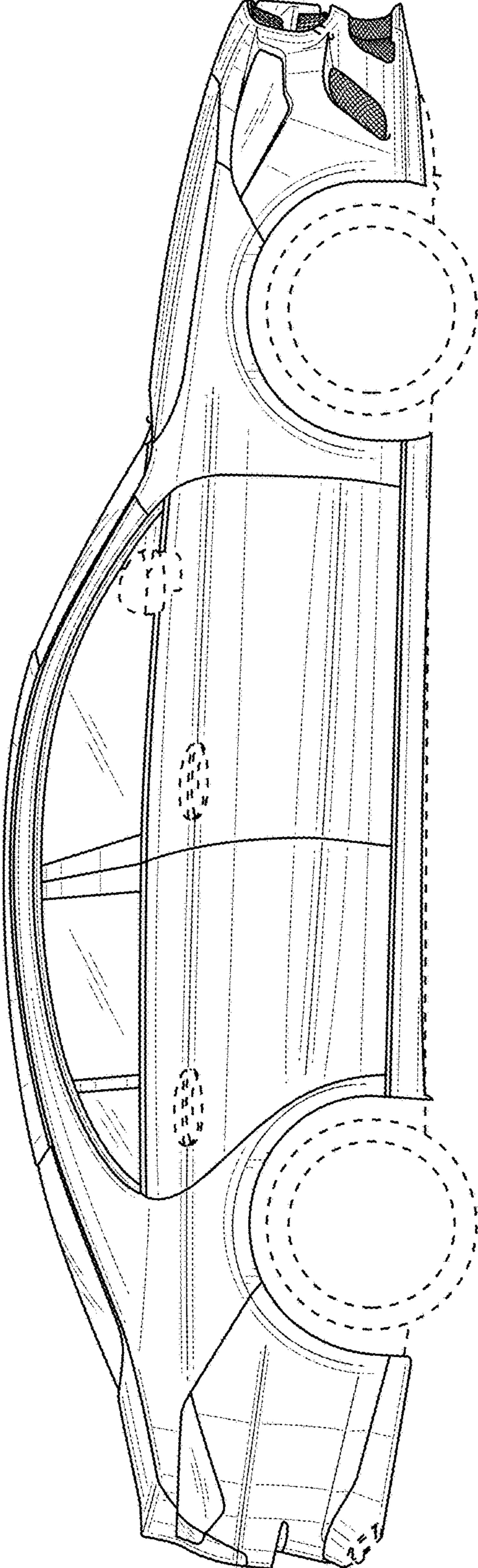
**FIG. 2**



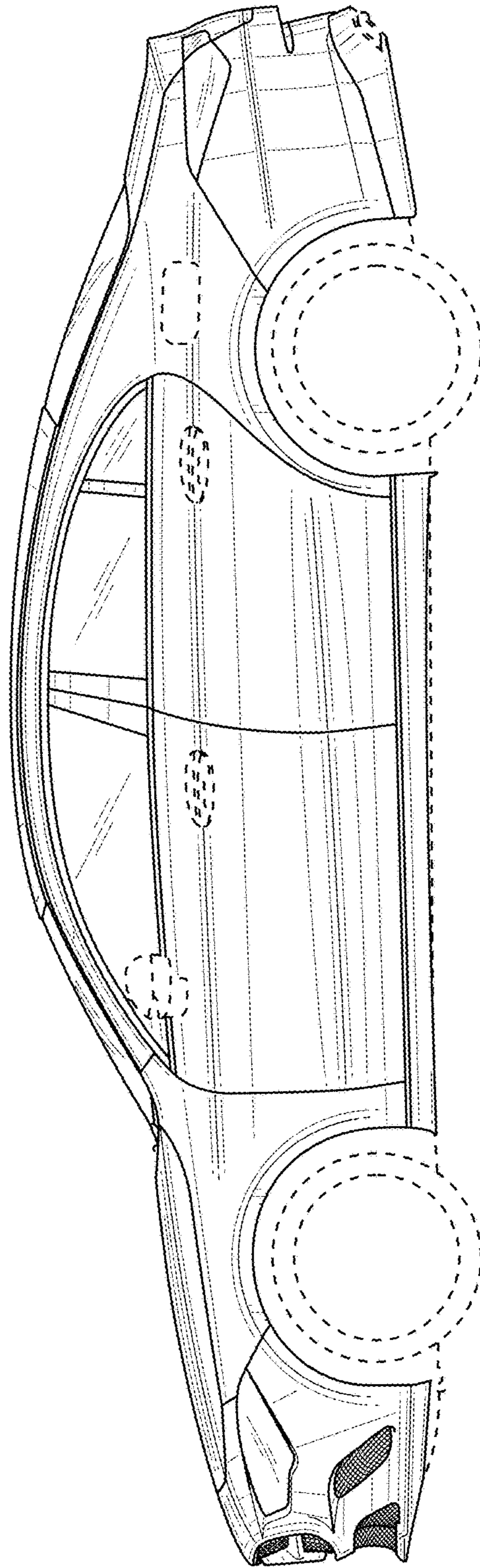
**FIG. 3**



**FIG. 4**

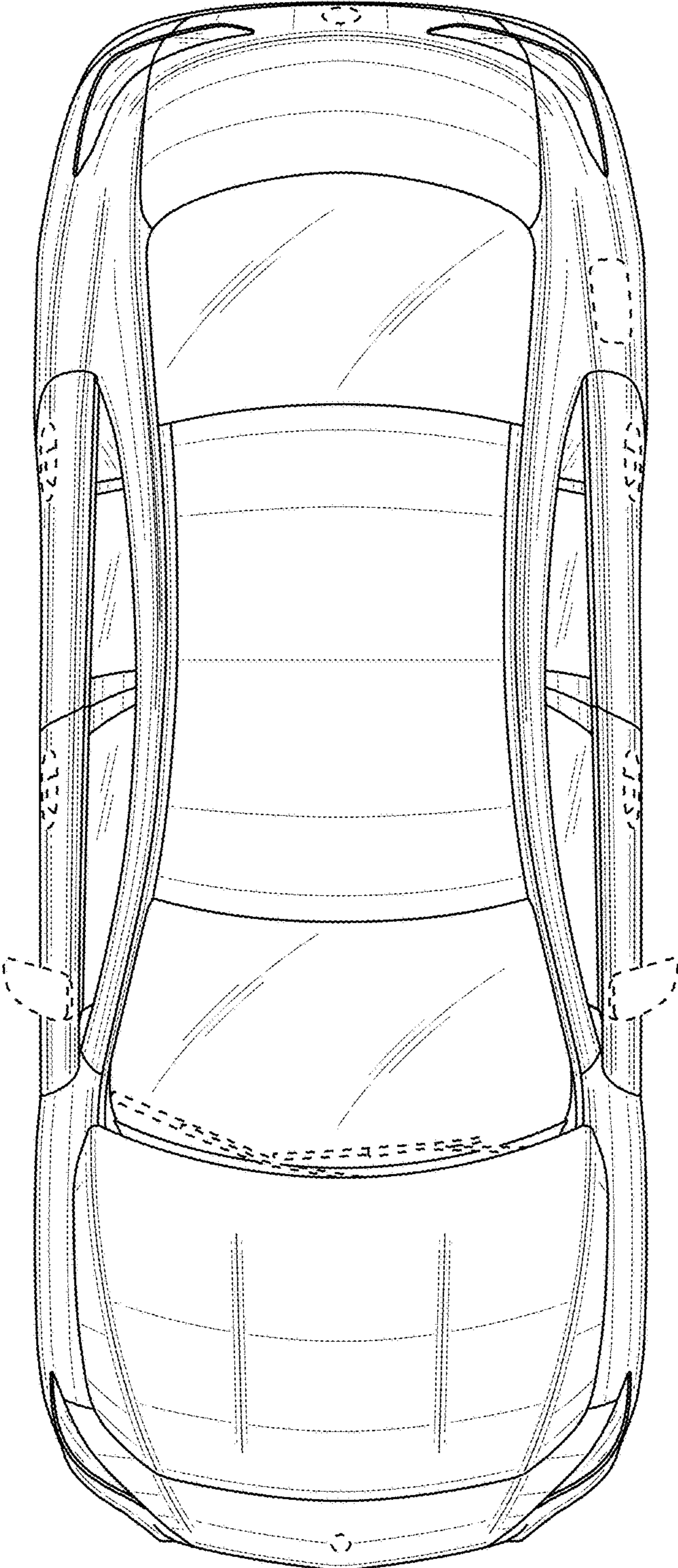


**FIG. 5**



**FIG. 6**





**FIG. 7**