



US00D857555S

(12) **United States Design Patent**
Ewing et al.

(10) **Patent No.:** **US D857,555 S**

(45) **Date of Patent:** **** Aug. 27, 2019**

(54) **CAGE ASSEMBLY FOR A MODEL VEHICLE**

(71) Applicant: **TRAXXAS LP**, McKinney, TX (US)

(72) Inventors: **Adam Cole Ewing**, McKinney, TX (US); **Otto Karl Allmendinger**, Rowlett, TX (US)

(73) Assignee: **TRAXXAS LP**, McKinney, TX (US)

(**) Term: **15 Years**

(21) Appl. No.: **29/632,876**

(22) Filed: **Jan. 10, 2018**

(51) **LOC (12) Cl.** **12-08**

(52) **U.S. Cl.**
USPC **D12/87; D21/562**

(58) **Field of Classification Search**
USPC D12/1, 82, 86, 87, 90-92; D21/424, 433, D21/434, 562
CPC B62D 21/02; B62D 21/183; B62D 23/005; B62D 65/02
See application file for complete search history.

(56) **References Cited**

U.S. PATENT DOCUMENTS

5,848,853	A *	12/1998	Clenet	B62D 23/005
					403/272
5,855,386	A *	1/1999	Atkins	B60G 3/06
					180/400
6,799,781	B2 *	10/2004	Rasidescu	B62K 5/01
					180/311
D503,658	S *	4/2005	Lu	D12/87
6,908,108	B1 *	6/2005	Scarla	A63H 17/262
					280/756
D564,410	S *	3/2008	Lepage	D12/87
D579,029	S *	10/2008	Harsh	D15/33
D585,788	S *	2/2009	Burns	D12/87
D585,789	S *	2/2009	Burns	D12/87
D585,790	S *	2/2009	Burns	D12/87

D586,260	S *	2/2009	Burns	D12/87
D586,261	S *	2/2009	Burns	D12/87
D586,695	S *	2/2009	Burns	D12/87
D586,696	S *	2/2009	Burns	D12/87
D639,207	S *	6/2011	Danisi	D12/82
D651,133	S *	12/2011	Liebl	D12/86
D690,618	S *	10/2013	Gordon	D12/82
8,944,492	B2 *	2/2015	Hufnagl	B62D 21/183
					296/190.01
9,815,346	B2 *	11/2017	Suzuki	B60K 5/00
D816,009	S *	4/2018	Reynolds	D12/222

(Continued)

Primary Examiner — Darlington Ly

(74) *Attorney, Agent, or Firm* — Daryl R. Wright; Greg Carr

(57) **CLAIM**

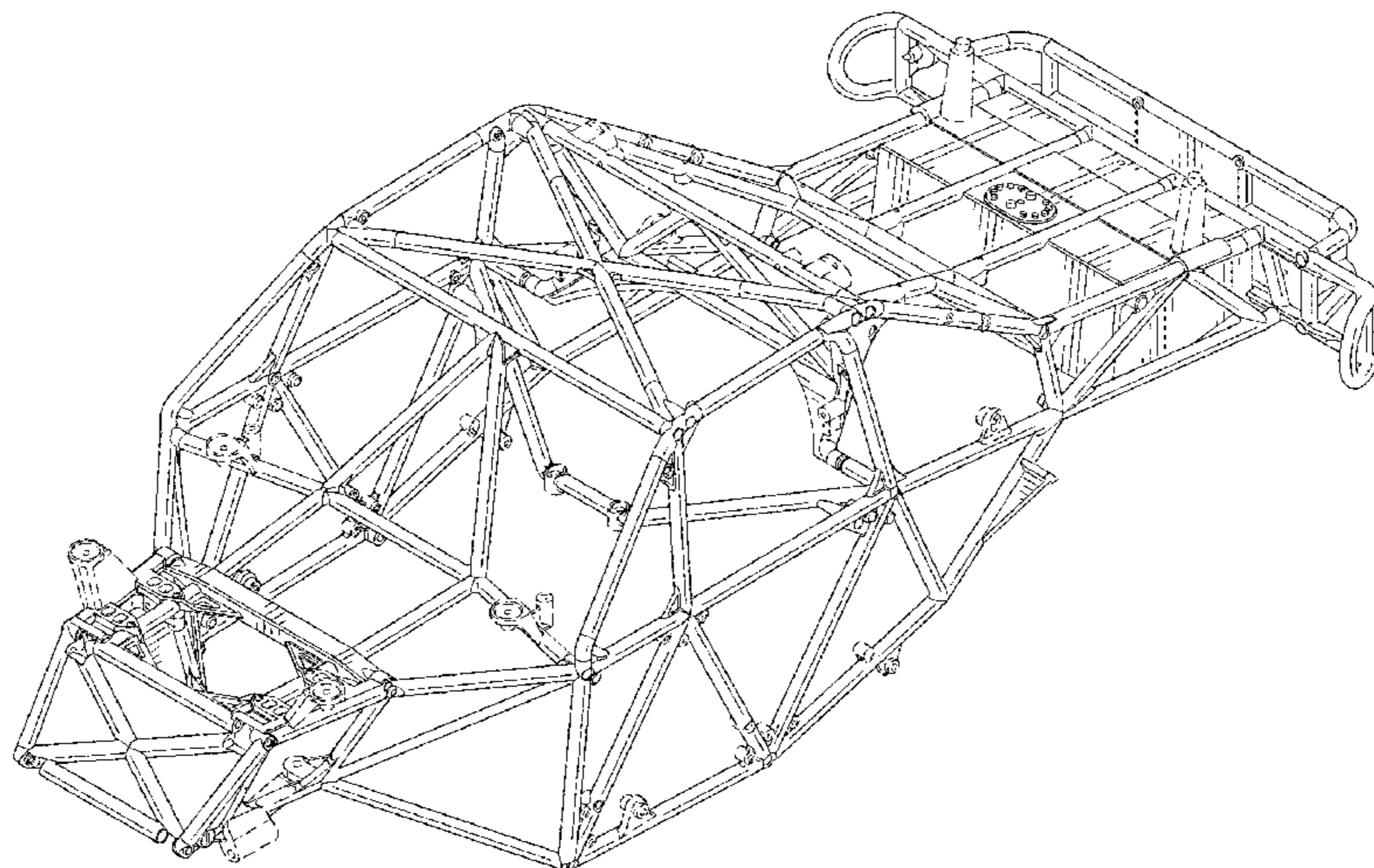
We claim the ornamental design for a cage assembly for a model vehicle, as shown and described.

DESCRIPTION

FIG. 1 is a top, front and left side perspective view of a cage assembly for a model vehicle showing our new design; FIG. 2 is a front elevation view thereof; FIG. 3 is a rear elevation view thereof; FIG. 4 is a left side elevation view thereof; FIG. 5 is a right side elevation view thereof; FIG. 6 is a top plan view thereof; FIG. 7 is a bottom plan view thereof; FIG. 8 is a bottom, rear and right side perspective view thereof; and, FIG. 9 is a top, front and left side perspective view thereof when in use with an exemplary model vehicle.

The broken line showing portions of the cage assembly do not form part of the claimed design. Additionally, the broken line showing parts of a model vehicle, a driver, and a passenger are provided for the purpose of illustrating environmental structure and do not form part of the claimed design.

1 Claim, 9 Drawing Sheets



(56)

References Cited

U.S. PATENT DOCUMENTS

D829,831 S * 10/2018 Redlin D21/562
D835,545 S * 12/2018 Hanten D12/87
2007/0000715 A1* 1/2007 Denney B62D 21/08
180/311
2015/0210319 A1* 7/2015 Tiramani B62D 21/183
280/756
2019/0031260 A1* 1/2019 Fillion B62D 65/02

* cited by examiner

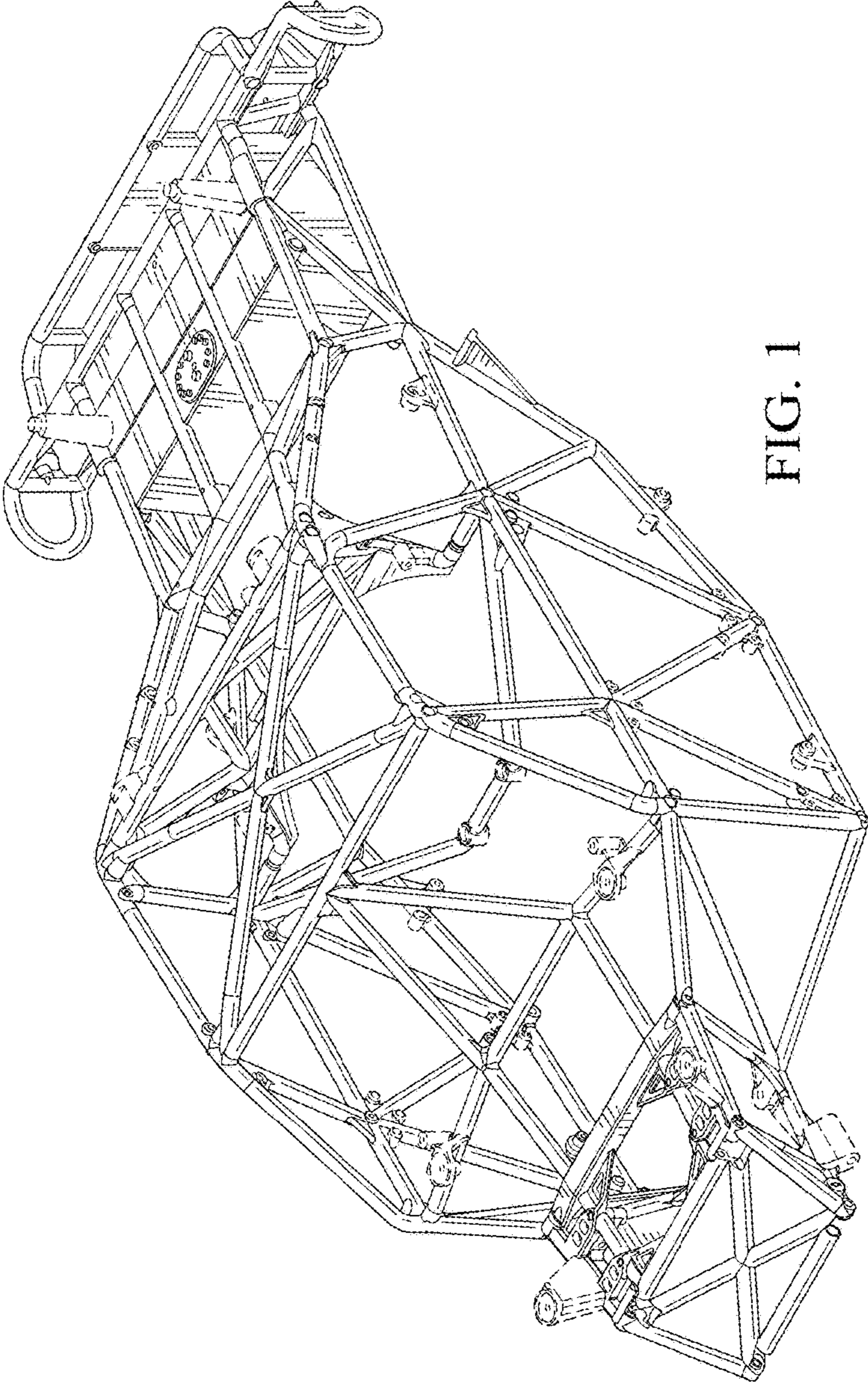


FIG. 1

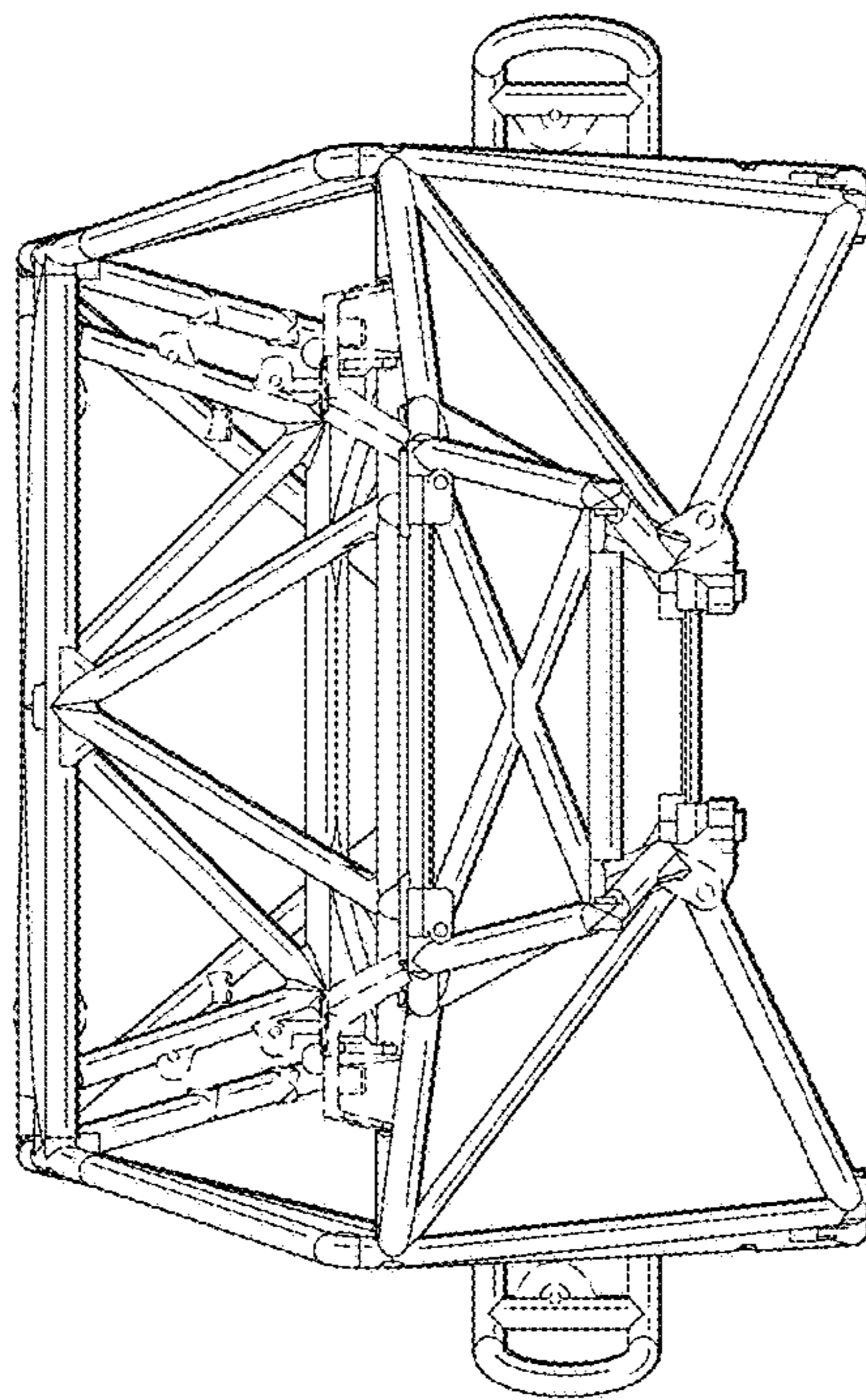


FIG. 2

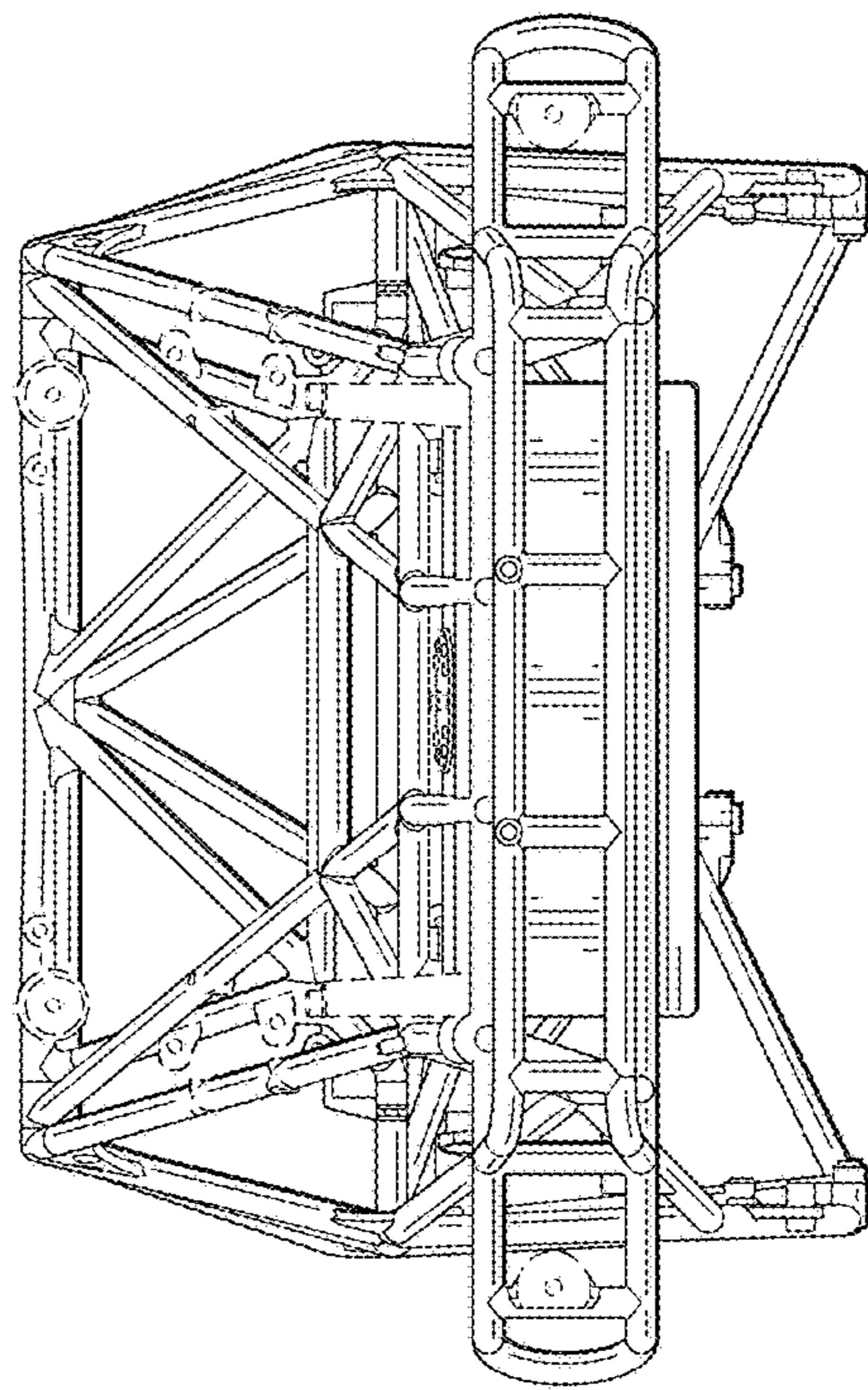


FIG. 3

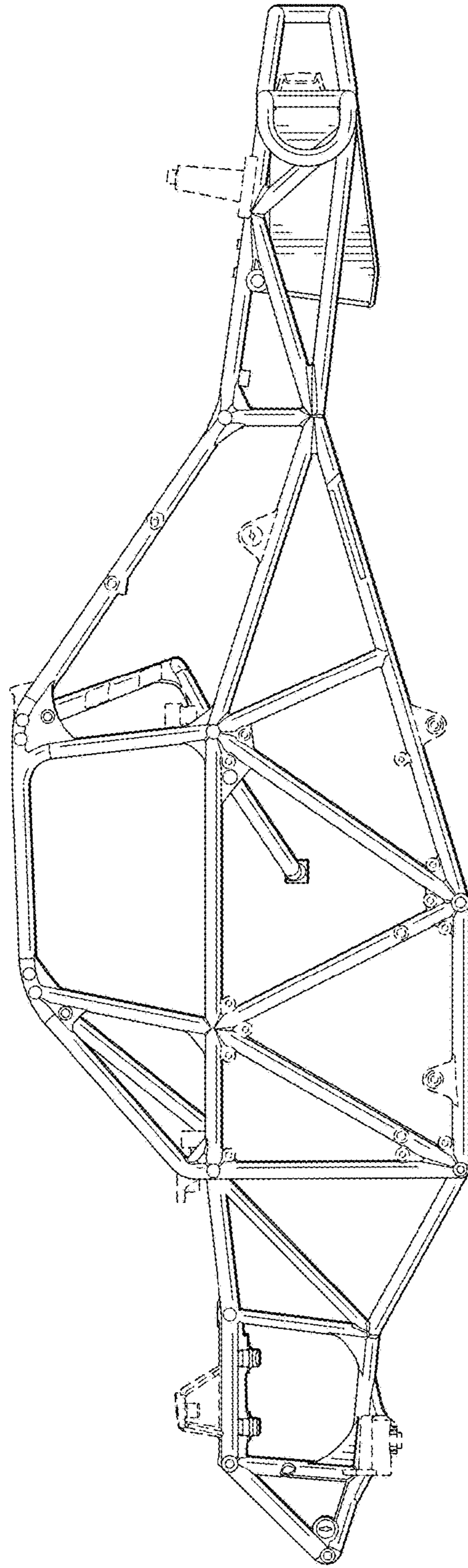


FIG. 4

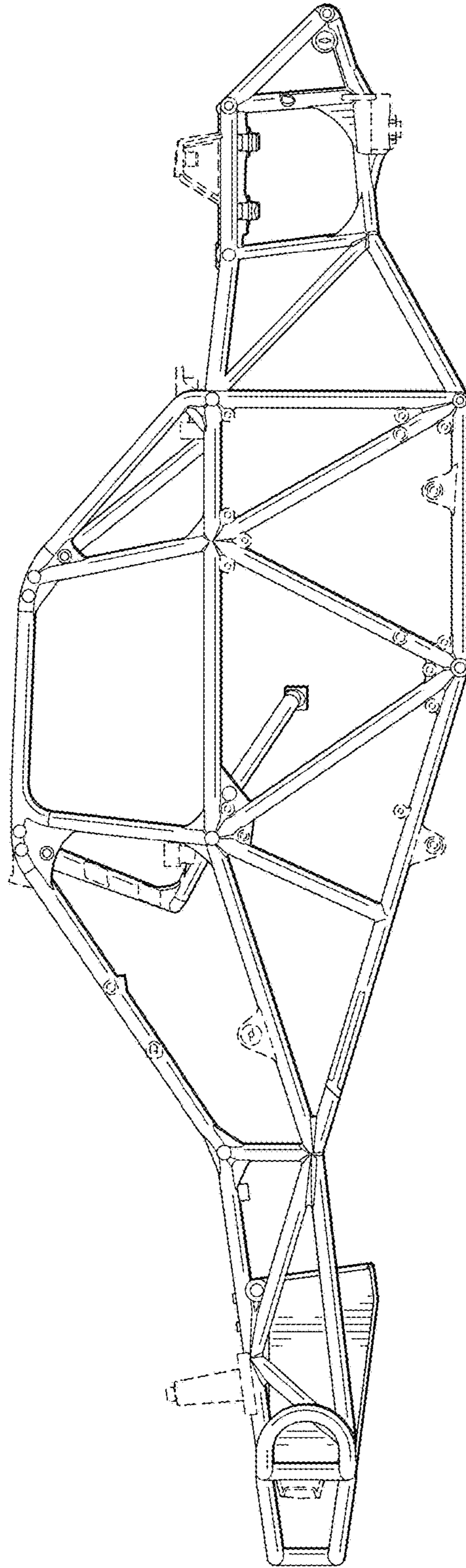


FIG. 5

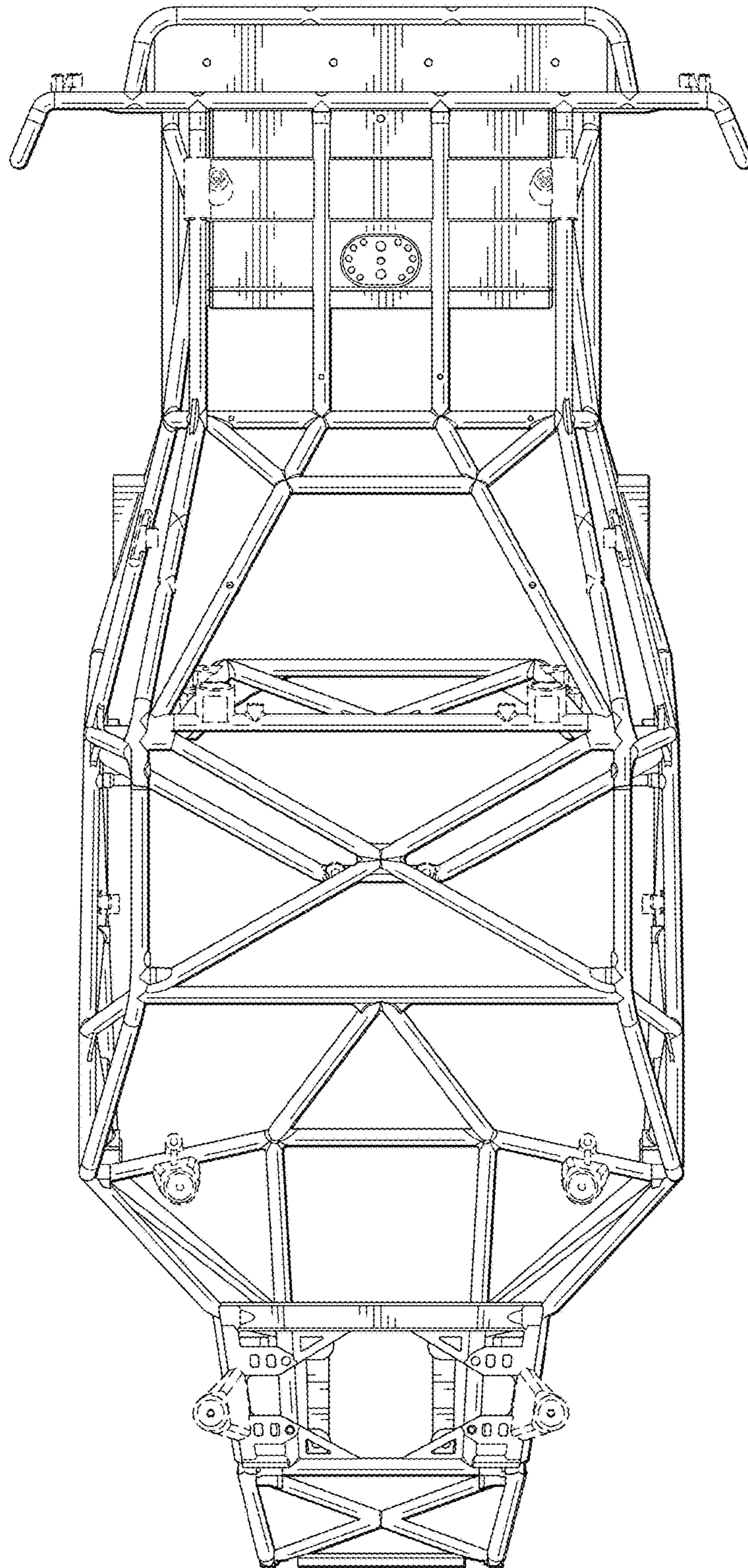


FIG. 6

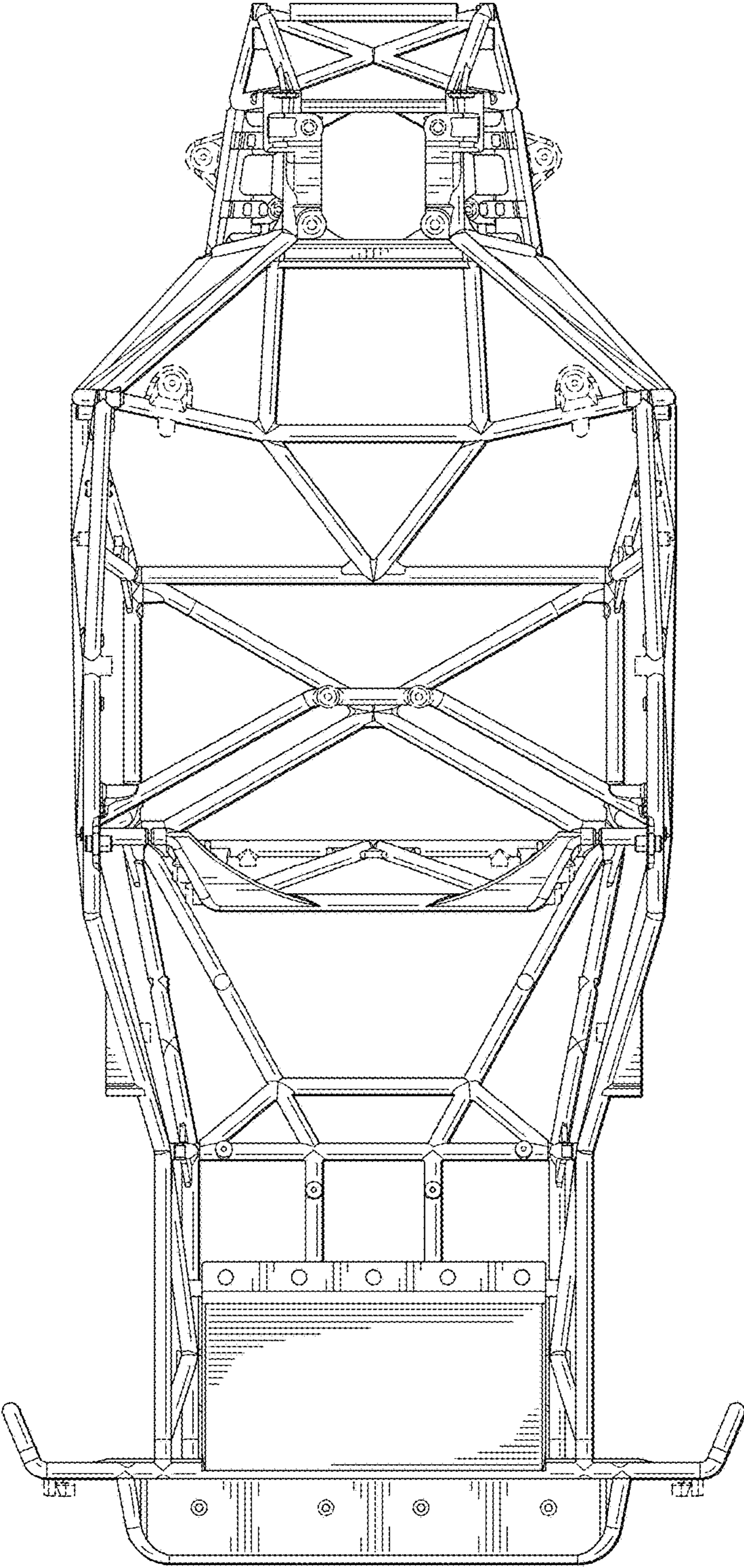


FIG. 7

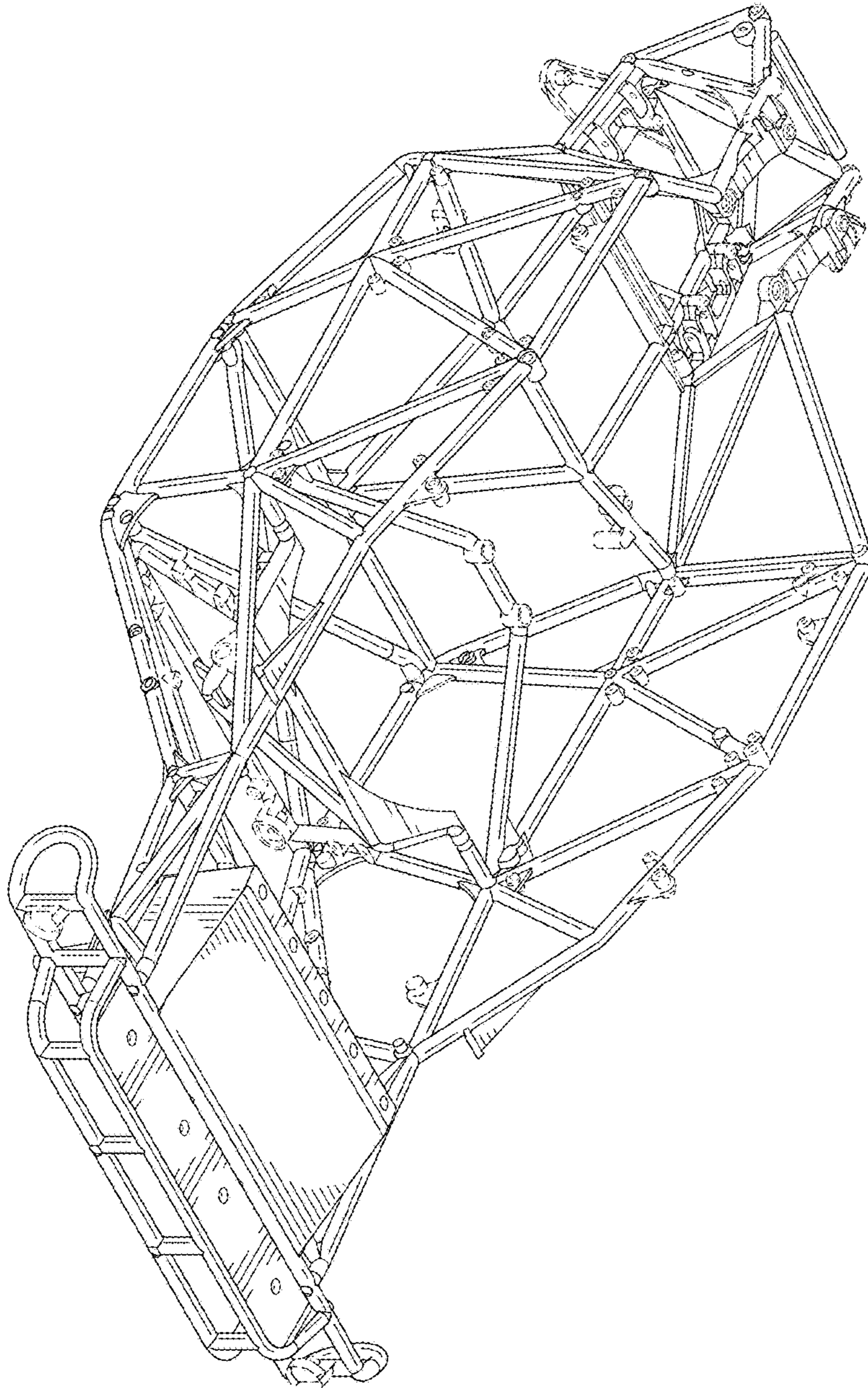


FIG. 8

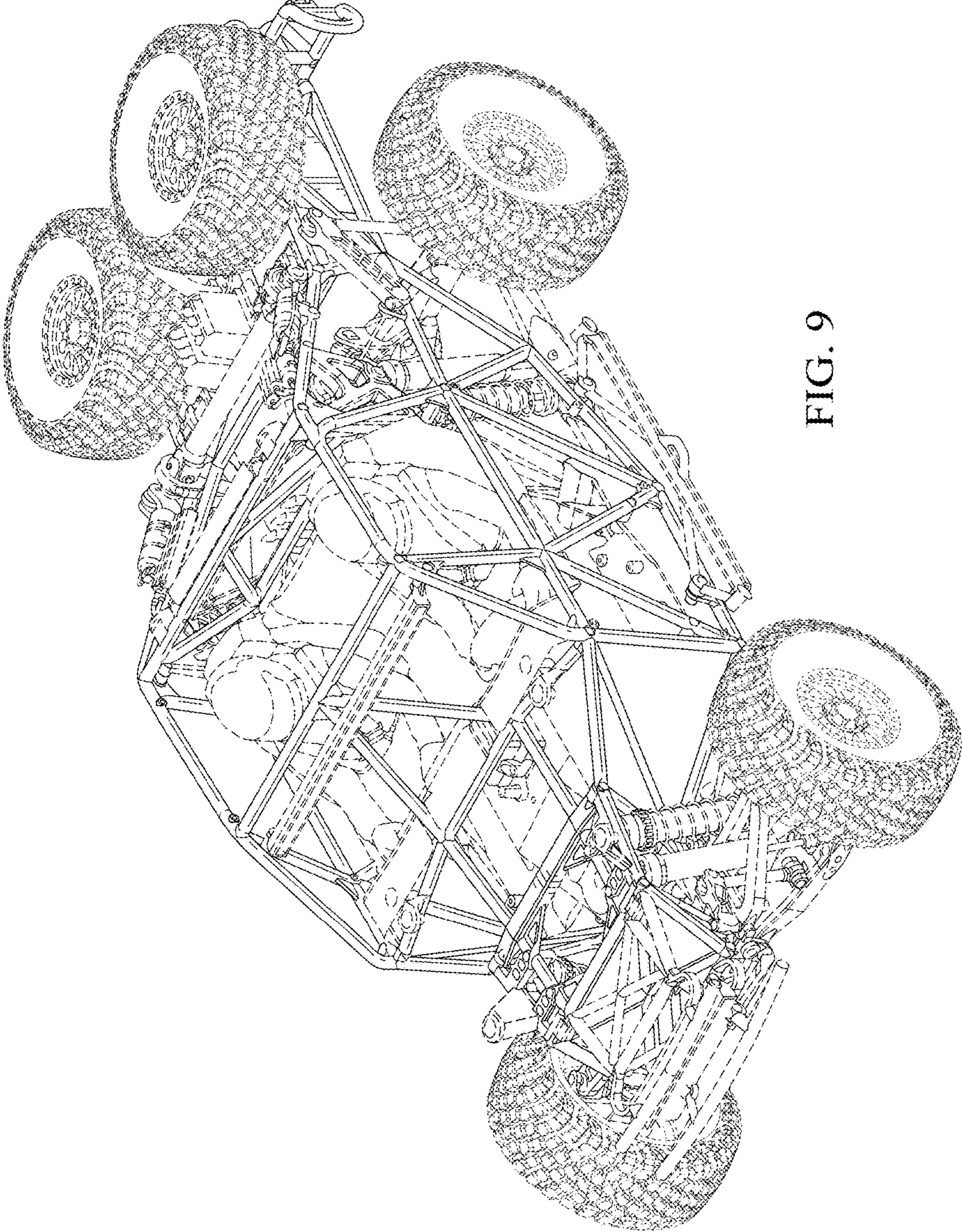


FIG. 9