



US00D857552S

(12) **United States Design Patent** (10) **Patent No.:** **US D857,552 S**
Mouquet (45) **Date of Patent:** **** Aug. 27, 2019**

(54) **BUCKLE**

11/06; B60R 22/30; B60R 22/32; B60R 22/022; B60R 2022/1806; B60R 2022/1812; B60R 2022/281; B65D 63/16; A62B 35/00

(71) Applicant: **HERMES SELLIER (SOCIÉTÉ PAR ACTIONS SIMPLIFIÉE)**, Paris (FR)

See application file for complete search history.

(72) Inventor: **Philippe Mouquet**, Paris (FR)

(56) **References Cited**

(**) Term: **15 Years**

U.S. PATENT DOCUMENTS

(21) Appl. No.: **35/505,474**

D149,472 S *	5/1948	Chernow	63/3
D268,485 S *	4/1983	Claude	D10/38
D419,269 S *	1/2000	Martin	D30/139
D536,281 S *	2/2007	Mouquet	D11/234
D556,081 S *	11/2007	Mouquet	D11/87
D587,093 S *	2/2009	Fonk	D8/330
D713,294 S *	9/2014	Mouquet	D11/231
D737,722 S *	9/2015	Muhlenfeld	D11/208
D827,215 S *	8/2018	Kao	D30/139
D830,227 S *	10/2018	Mouquet	D11/231

(22) Filed: **Jul. 17, 2018**

(80) **Hague Agreement Data**

FOREIGN PATENT DOCUMENTS

Int. Filing Date: **Jul. 17, 2018**

Int. Reg. No.: **DM/102203**

Int. Reg. Date: **Jul. 17, 2018**

Int. Reg. Pub. Date: **Aug. 17, 2018**

WO D1606154 * 6/2018

(51) **LOC (12) Cl.** **11-07**

(52) **U.S. Cl.**

* cited by examiner

USPC **D11/231**

(58) **Field of Classification Search**

Primary Examiner — George D. Kirschbaum

Assistant Examiner — Richard Kearney

USPC D2/624, 626, 627, 633, 639, 640, 853, D2/923; D3/24, 213, 215, 216, 230; D8/14, 331, 343, 349, 356, 358, 359, 360, D8/363, 366, 371, 382, 394, 395; D10/32, 38; D11/1, 2, 3, 12, 16, 86, 87, D11/93, 200, 201, 206–210, 212–218, D11/229–237; D12/195, 416; D29/100–101.5, 122, 129, 130; D30/139, D30/152, 153

(57) **CLAIM**

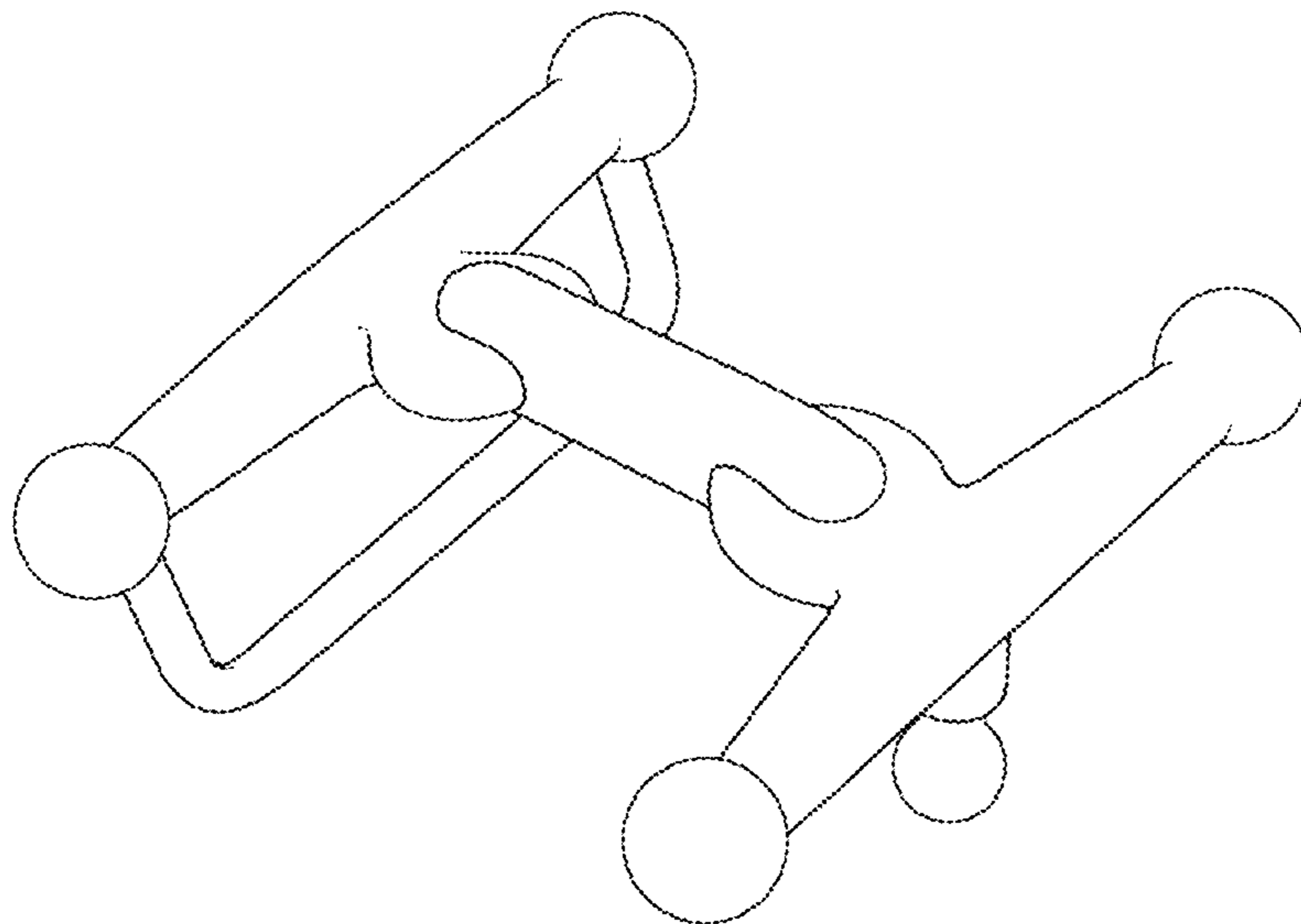
The ornamental design for a buckle, as shown and described.

CPC A44B 11/00; A44B 11/02; A44B 11/04; A44B 11/05; A44B 11/06; A44B 11/10; A44B 11/14; A44B 11/22; A44B 11/25; A44B 11/26; A44B 11/125; A44B 11/223; A44B 11/001; A44B 11/005; A44B 11/006; A44B 11/2503; A44B 11/2507; A44B 11/2553; A44B 11/2592; A41F 1/008; A41F 9/002; A41F 9/007; A41F

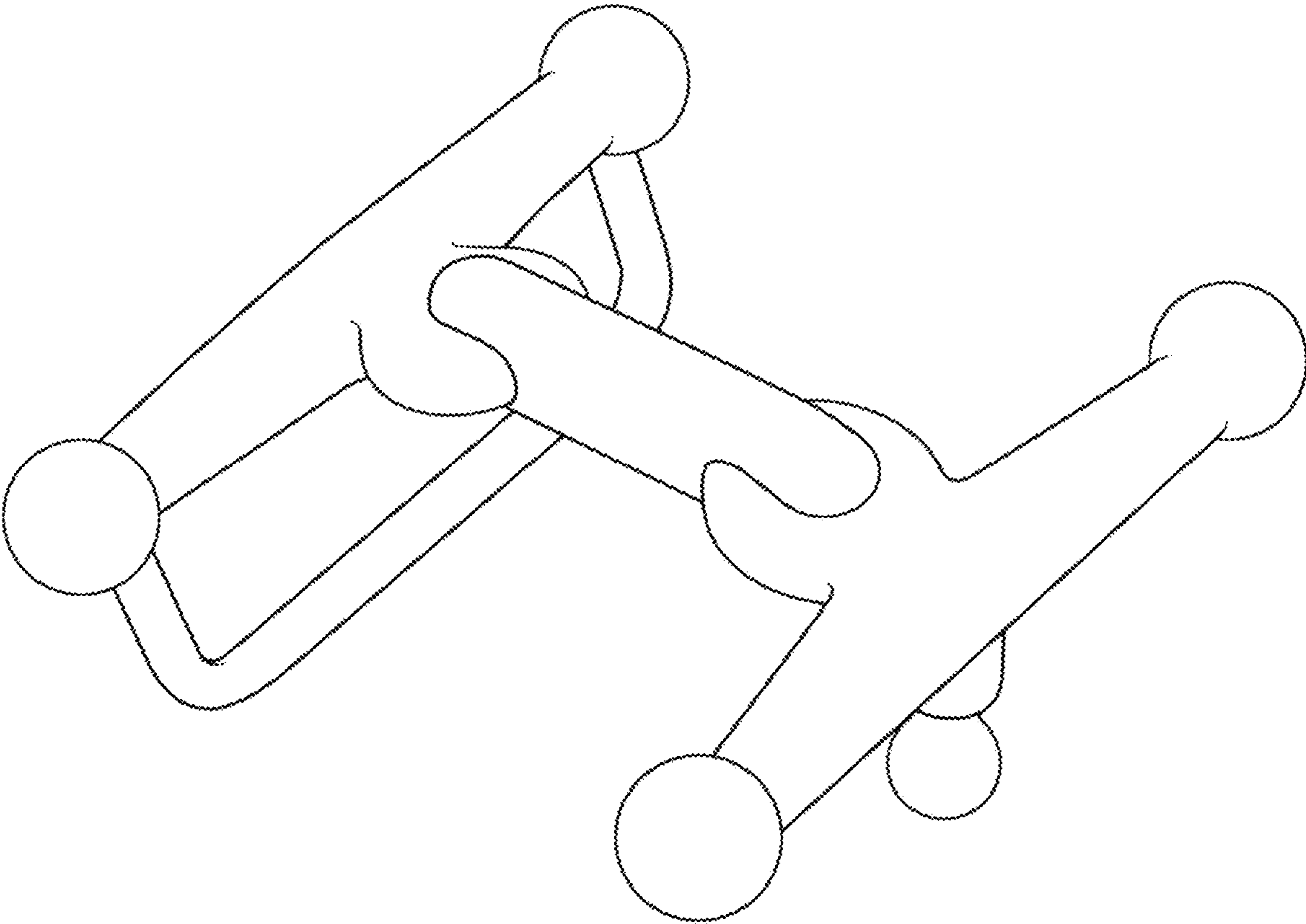
DESCRIPTION

- 1. Buckle
- 1.1 : Perspective
- 1.2 : Front
- 1.3 : Back
- 1.4 : Right
- 1.5 : Left
- 1.6 : Top
- 1.7 : Bottom

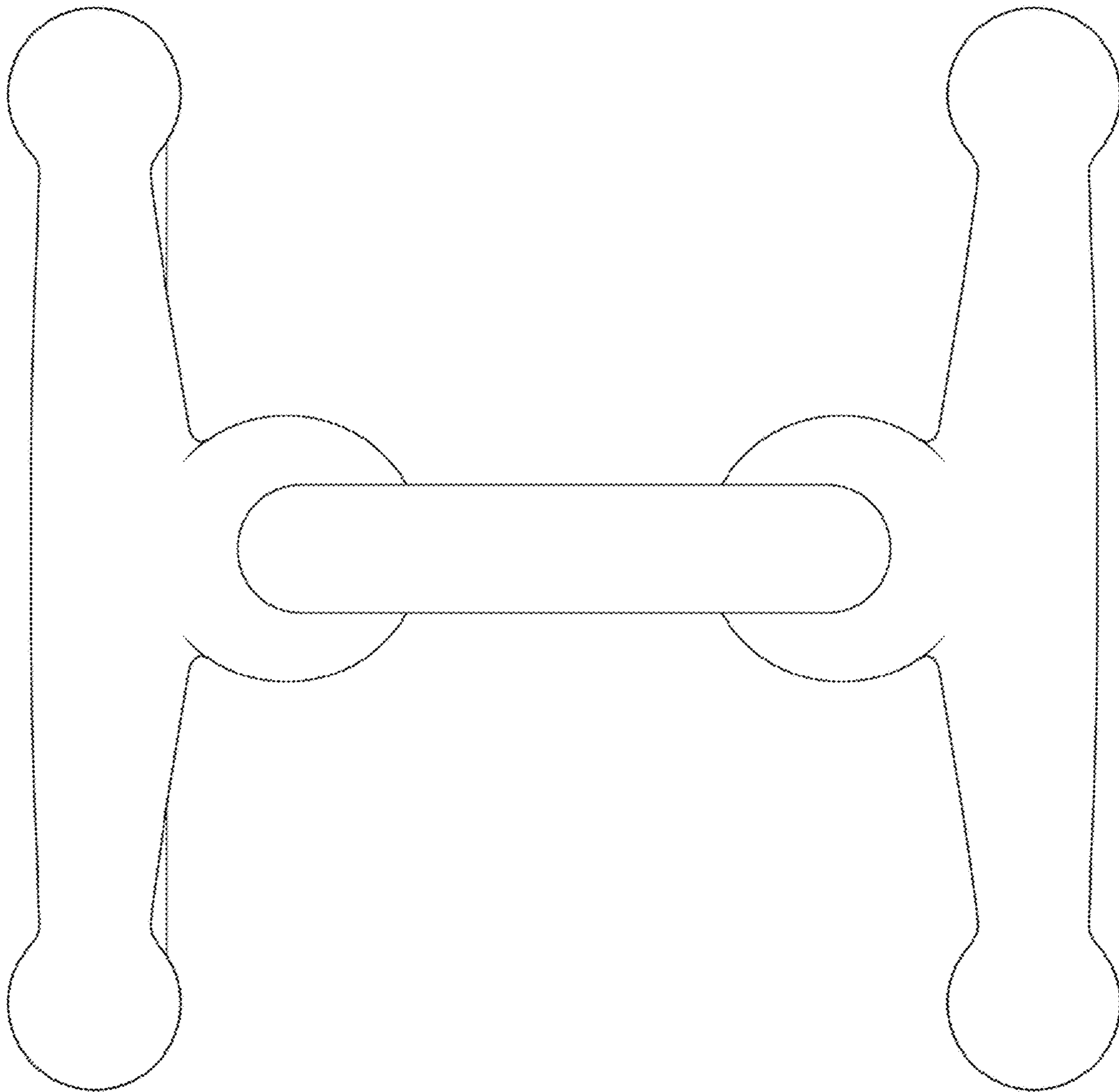
1 Claim, 7 Drawing Sheets



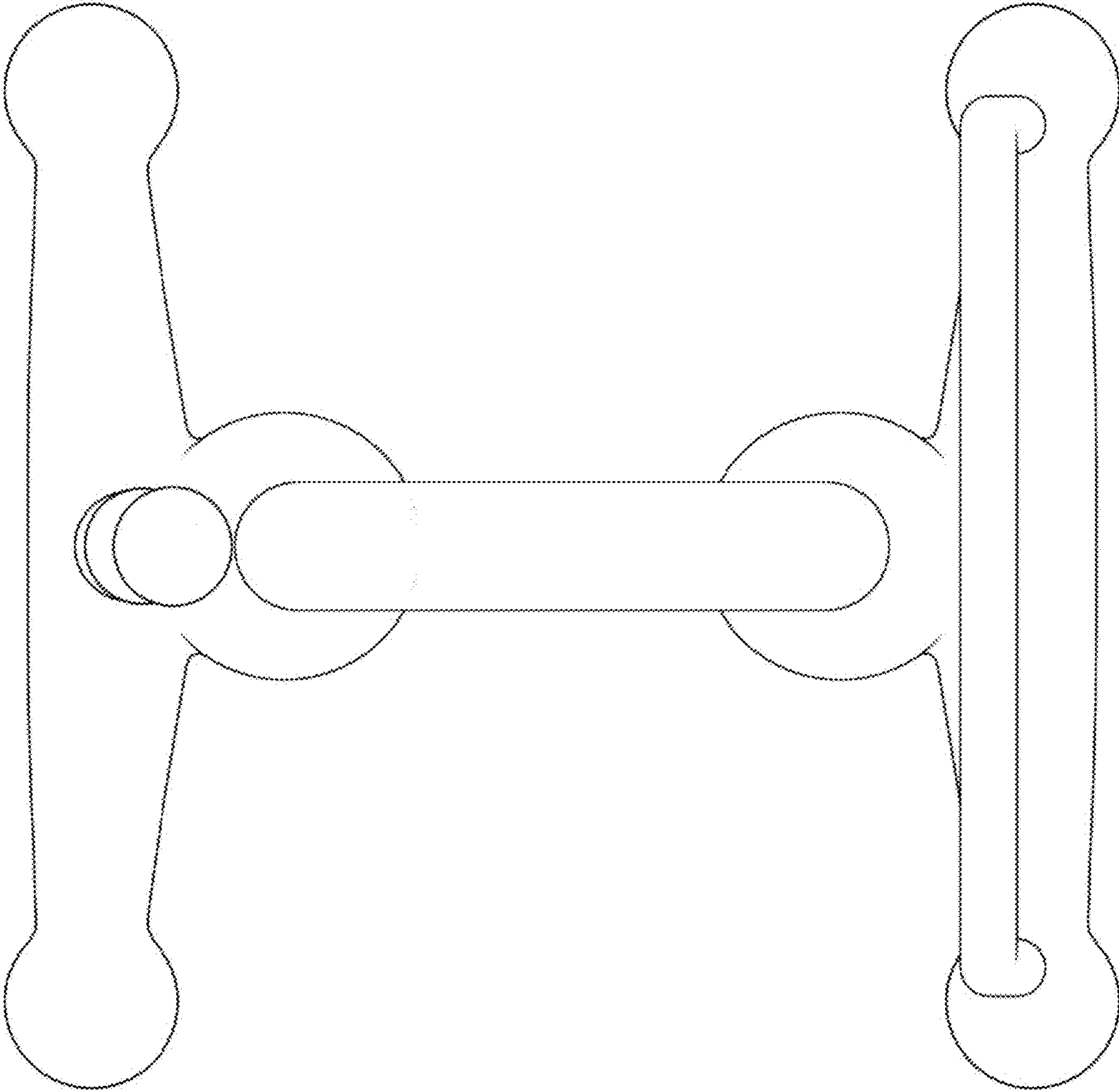
1.1



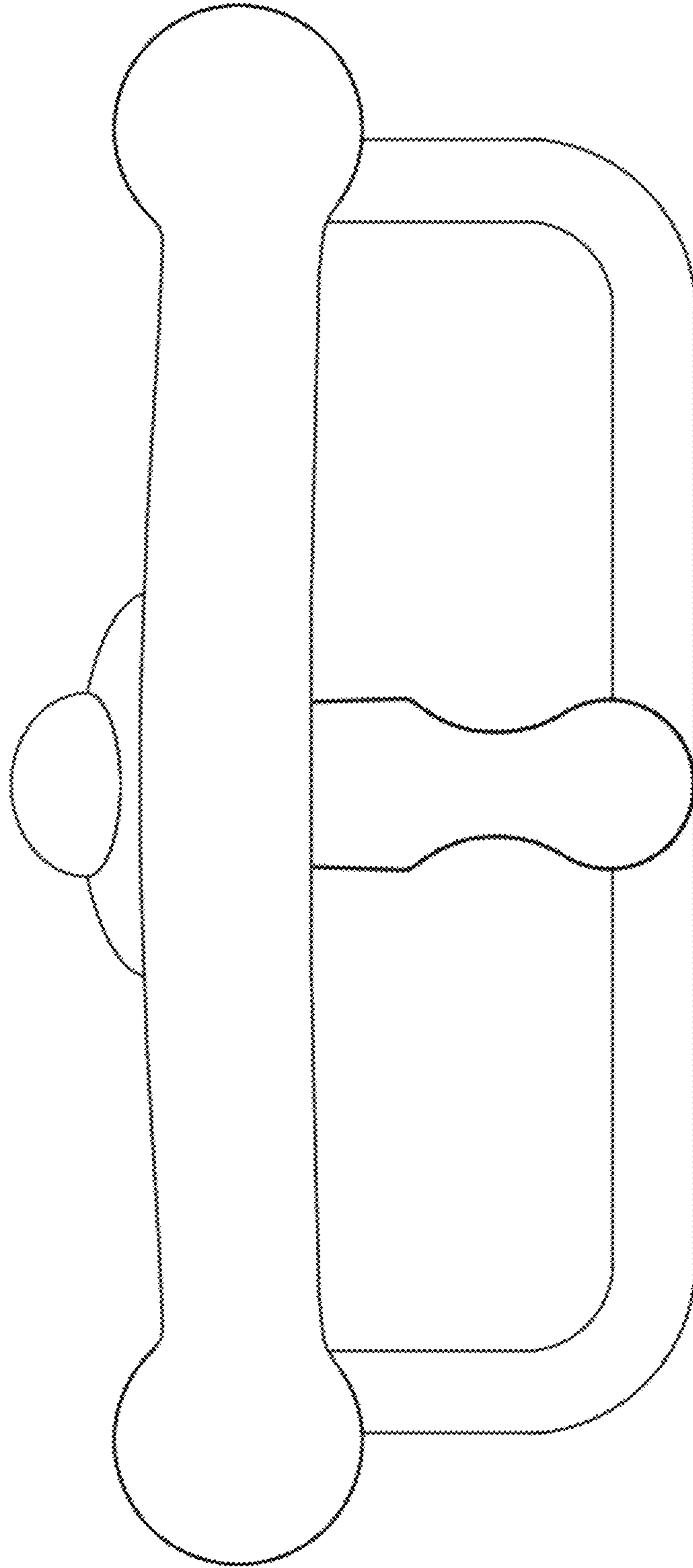
1.2



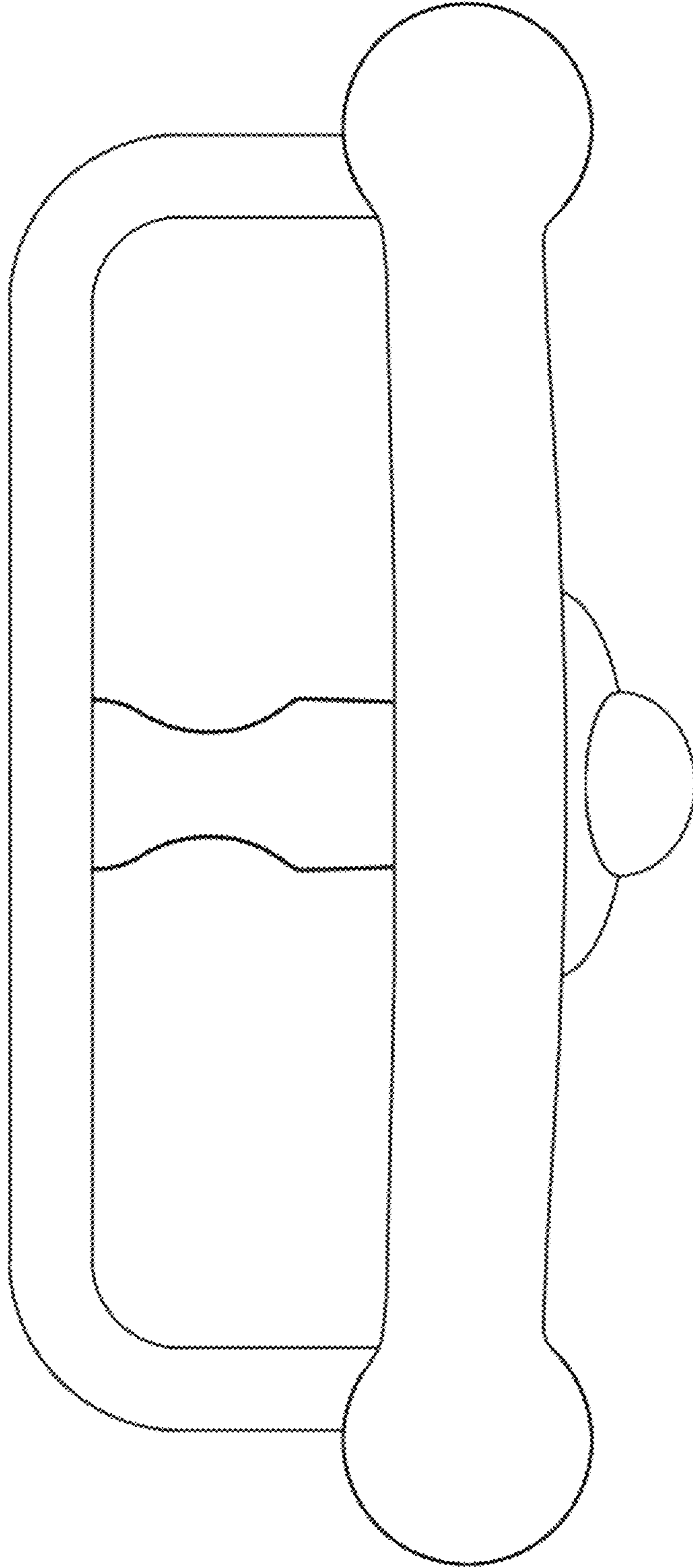
1.3



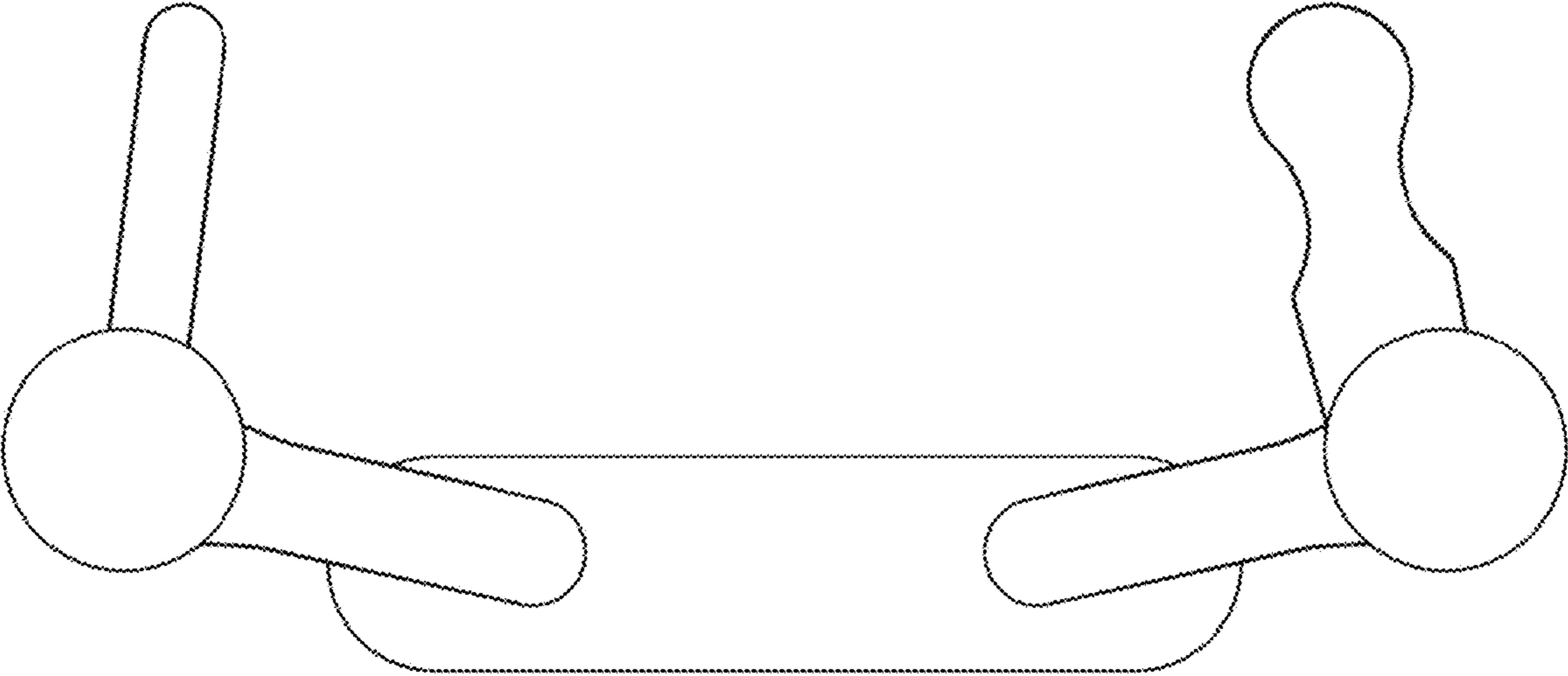
1.4



1.5



1.6



1.7

