



US00D857551S

(12) **United States Design Patent**
Mouquet

(10) **Patent No.:** **US D857,551 S**

(45) **Date of Patent:** **** Aug. 27, 2019**

(54) **BUCKLE**
(71) Applicant: **HERMES SELLIER (SOCIÉTÉ PAR ACTIONS SIMPLIFIÉE)**, Paris (FR)
(72) Inventor: **Philippe Mouquet**, Paris (FR)
(**) Term: **15 Years**
(21) Appl. No.: **35/505,252**

1,994,156 A * 3/1935 White A44B 11/06
24/321
D139,358 S * 11/1944 Beatty D11/215
D536,281 S * 2/2007 Mouquet D11/234
D556,081 S * 11/2007 Mouquet D11/87
D713,294 S * 9/2014 Mouquet D11/231
D713,295 S * 9/2014 Mouquet D11/231
D737,722 S * 9/2015 Muhlenfeld D11/208
D795,132 S * 8/2017 Dumas D11/231
D830,227 S * 10/2018 Mouquet D11/231

(22) Filed: **Jun. 21, 2018**

(80) **Hague Agreement Data**

Int. Filing Date: **Jun. 21, 2018**
Int. Reg. No.: **DM/101717**
Int. Reg. Date: **Jun. 21, 2018**
Int. Reg. Pub. Date: **Jul. 6, 2018**

(51) **LOC (12) Cl.** **02-07**

(52) **U.S. Cl.**
USPC **D11/231**

(58) **Field of Classification Search**
USPC D11/1, 2, 200, 201, 206–210, 214–219,
D11/231; D2/627, 628, 633, 639, 640
CPC A44B 11/06; A44B 11/26; A44B 11/25;
A41F 11/04
See application file for complete search history.

(56) **References Cited**

U.S. PATENT DOCUMENTS

D33,453 S * 10/1900 Hill D11/215
D45,239 S * 2/1914 Peterson D11/218
1,992,985 A * 3/1935 Beaudoin A44B 11/18
24/193

OTHER PUBLICATIONS

Ebay. Classic Hermès belt buckle 13mm H Gold Gamma H Herme
H. No date specified. <URL:https://www.ebay.com/i/183518491637?
chn=ps>. (Year: 0).*

* cited by examiner

Primary Examiner — George D. Kirschbaum
Assistant Examiner — Darcey E Gottschalk

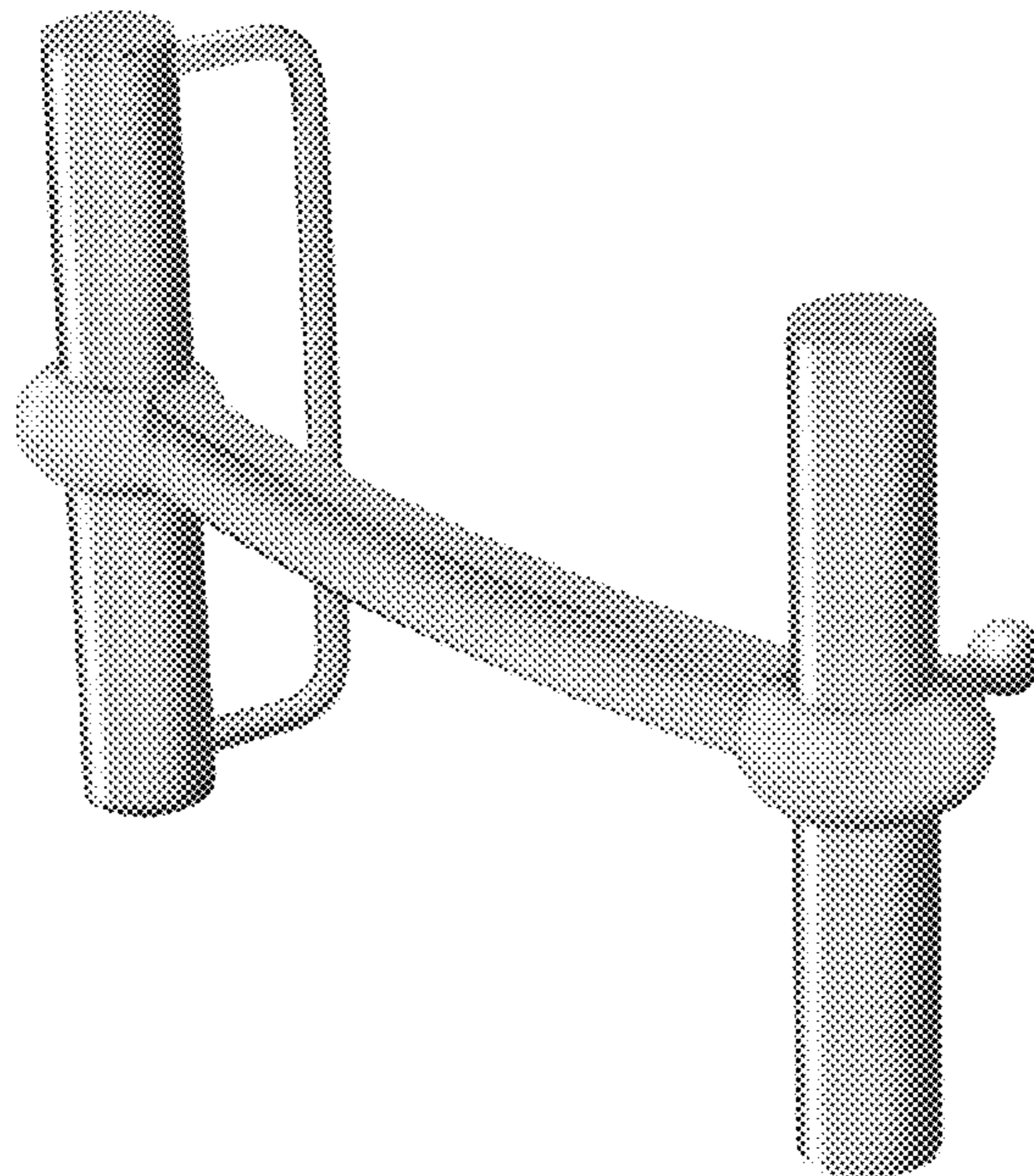
(57) **CLAIM**

The ornamental design for a buckle, as shown and described.

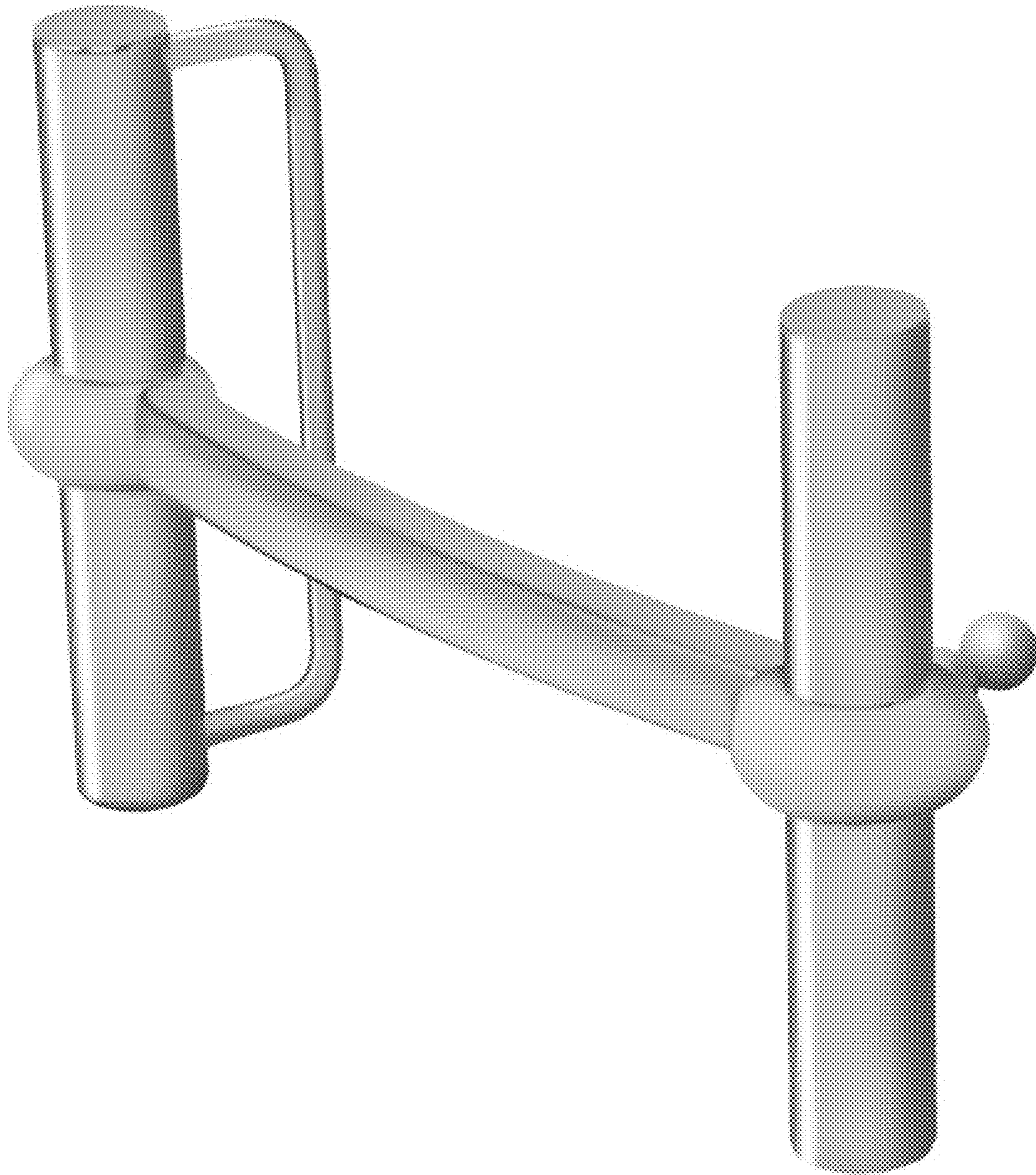
DESCRIPTION

- 1. Buckle
- 1.1 : Perspective
- 1.2 : Front
- 1.3 : Back
- 1.4 : Right
- 1.5 : Left
- 1.6 : Top
- 1.7 : Bottom

1 Claim, 7 Drawing Sheets



1.1



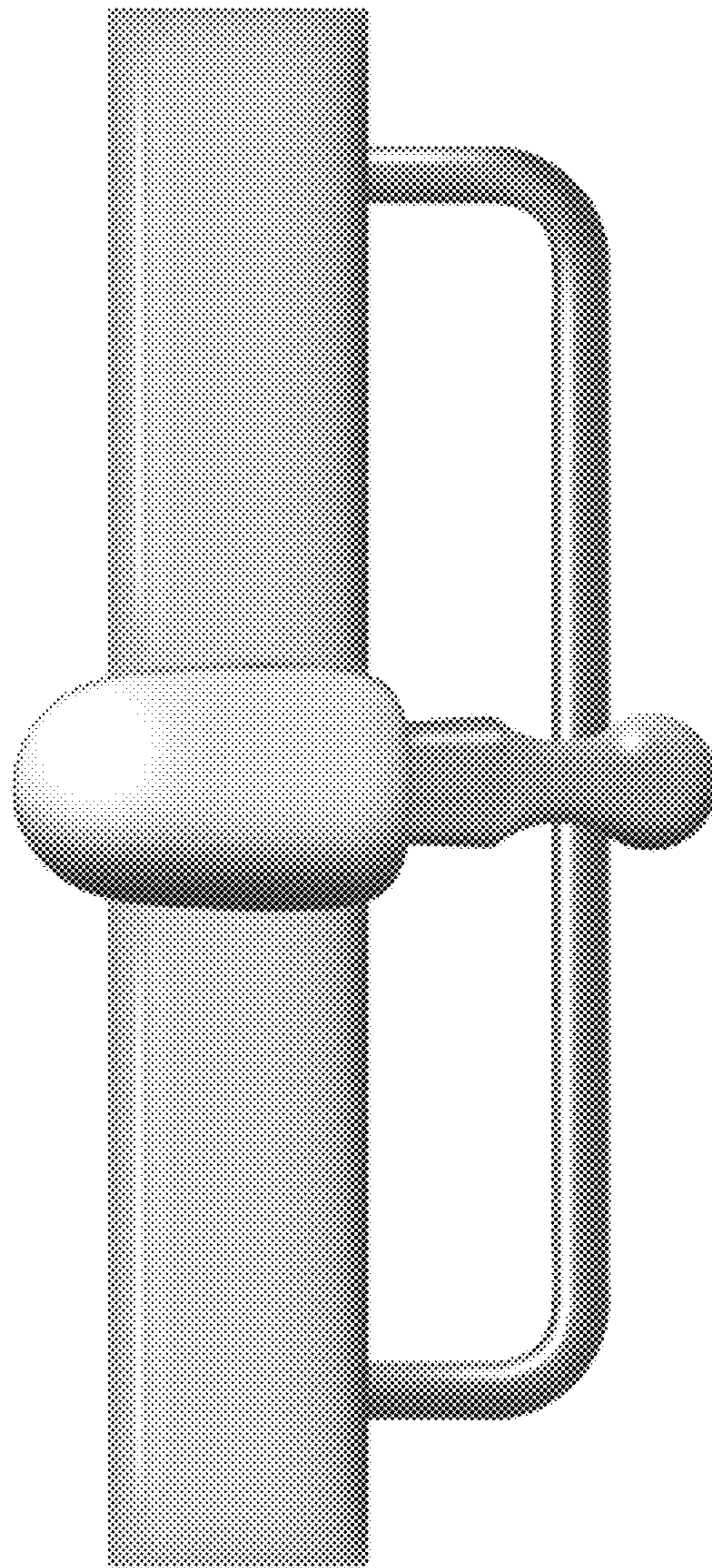
1.2



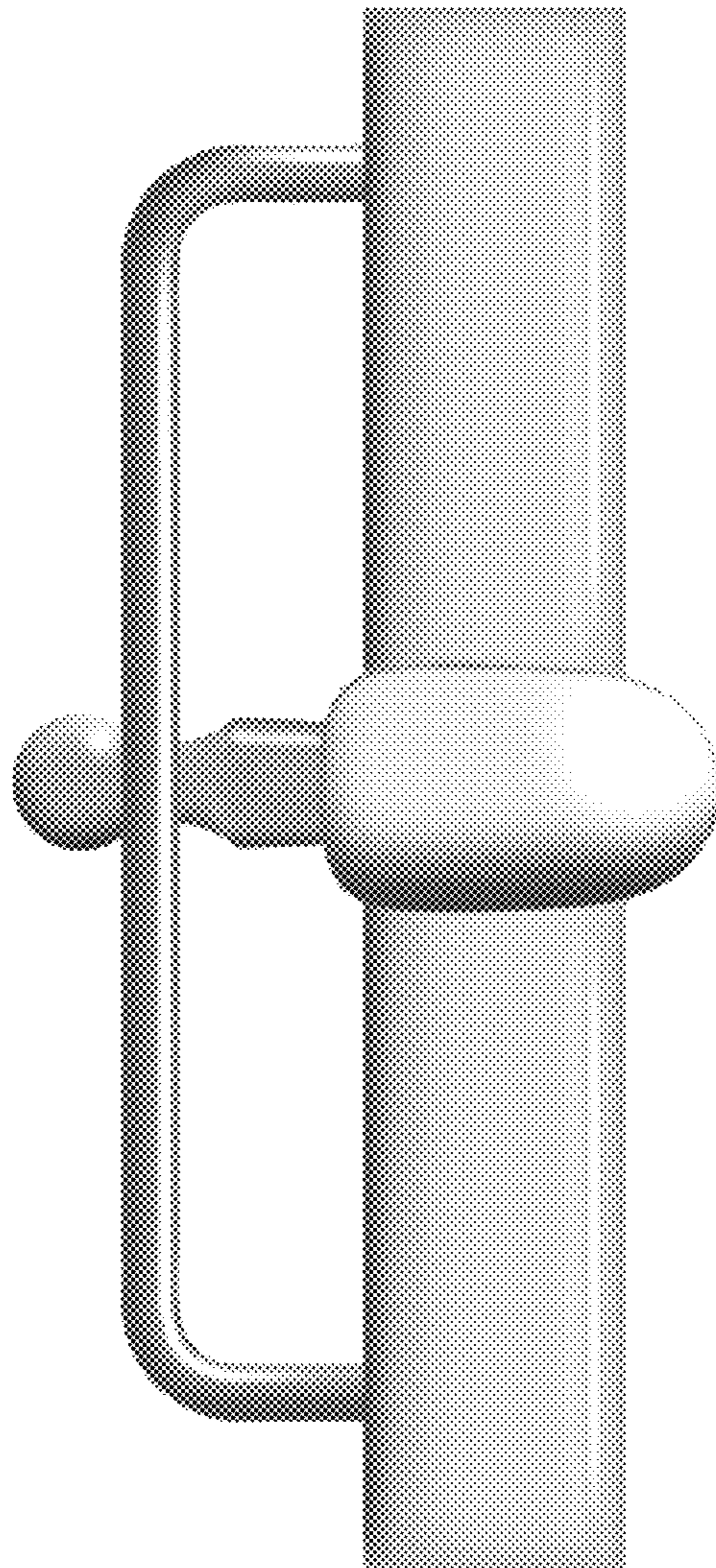
1.3



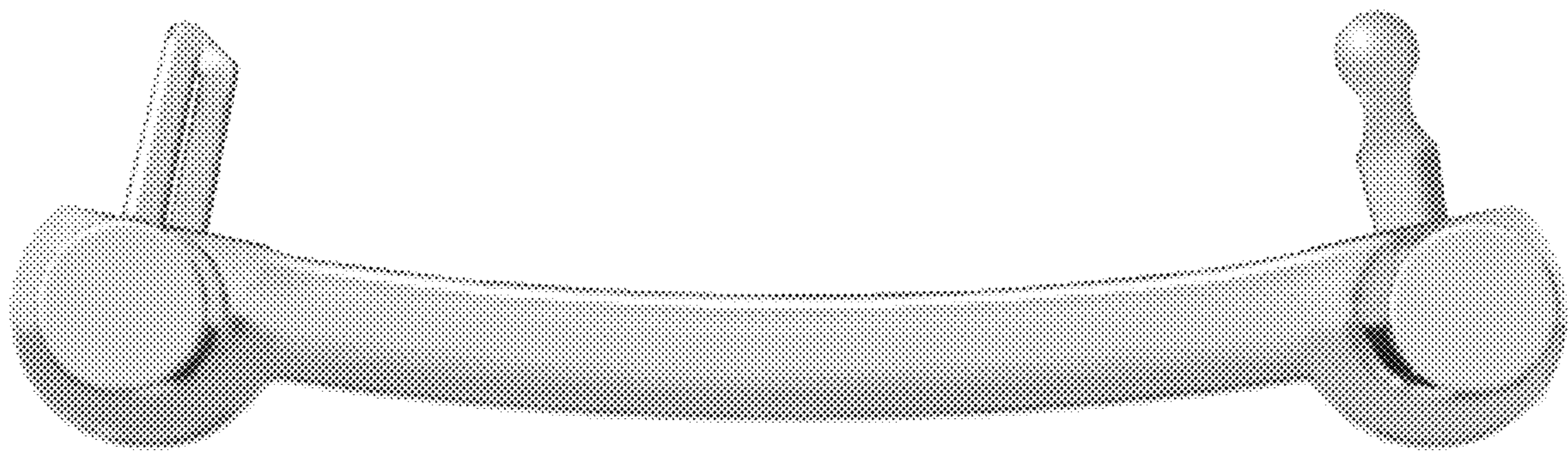
1.4



1.5



1.6



1.7

