



US00D857549S

(12) **United States Design Patent**
Batito

(10) **Patent No.:** **US D857,549 S**

(45) **Date of Patent:** **** Aug. 27, 2019**

(54) **FLOWER BOX**

(71) Applicant: **Sagiv Batito**, Mazkeret Batya (IL)

(72) Inventor: **Sagiv Batito**, Mazkeret Batya (IL)

(**) Term: **15 Years**

(21) Appl. No.: **29/613,476**

(22) Filed: **Aug. 10, 2017**

(30) **Foreign Application Priority Data**

Feb. 27, 2017 (IL) 60030

(51) **LOC (12) Cl.** **11-02**

(52) **U.S. Cl.**
USPC **D11/149**

(58) **Field of Classification Search**
USPC D6/403, 404, 405, 556, 557, 558;
D11/143, 144, 146, 147, 148, 149, 152;
D25/100
CPC A47G 7/08
See application file for complete search history.

(56) **References Cited**

U.S. PATENT DOCUMENTS

D87,881 S * 10/1932 Lotto D21/620
D143,602 S * 1/1946 Korn D17/24
D244,768 S * 6/1977 Lacativo D11/148

D270,850 S * 10/1983 Ortega D21/620
4,914,860 A * 4/1990 Richardson A47G 7/08
47/67
D385,213 S * 10/1997 McAllister D11/156
D520,676 S * 5/2006 Chen D21/620
D578,036 S * 10/2008 Dea D11/149
D820,149 S * 6/2018 Tao D11/152
D821,258 S * 6/2018 Tao D11/152

* cited by examiner

Primary Examiner — Karen S Acker

Assistant Examiner — Steven B Reinholdt, Jr.

(74) *Attorney, Agent, or Firm* — The Roy Gross Law Firm, LLC; Roy Gross

(57) **CLAIM**

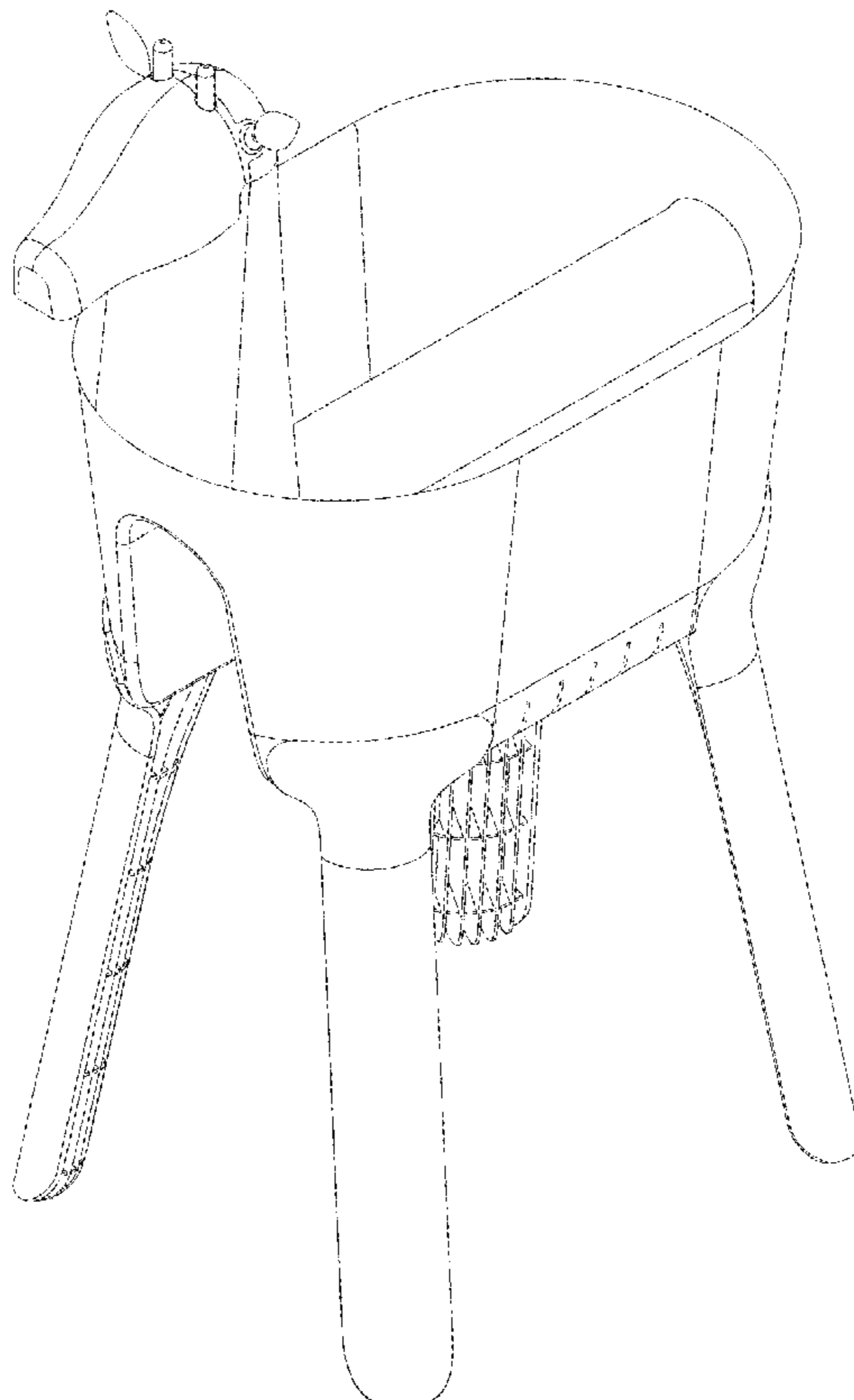
The ornamental design for a flower box, as shown and described.

DESCRIPTION

FIG. 1 is a front isometric view of a flower box in accordance with the new design;
FIG. 2 is a top view thereof;
FIG. 3 is a front view thereof;
FIG. 4 is a right side elevation view thereof;
FIG. 5 is a left side elevation view thereof;
FIG. 6 is a rear view thereof; and,
FIG. 7 is a bottom view thereof.

The broken lines depict portions of the flower box that form no part of the claim.

1 Claim, 7 Drawing Sheets



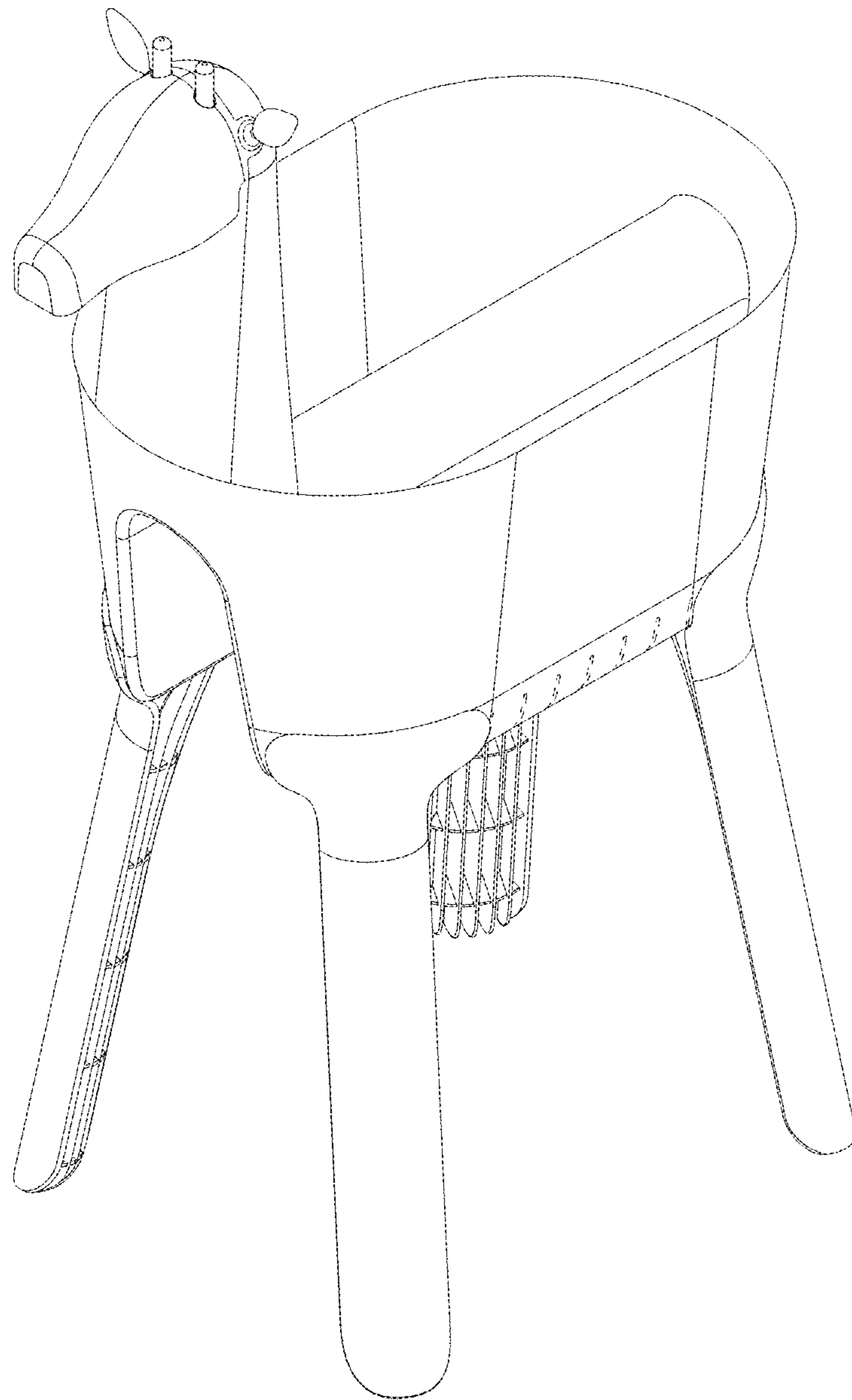


FIG. 1

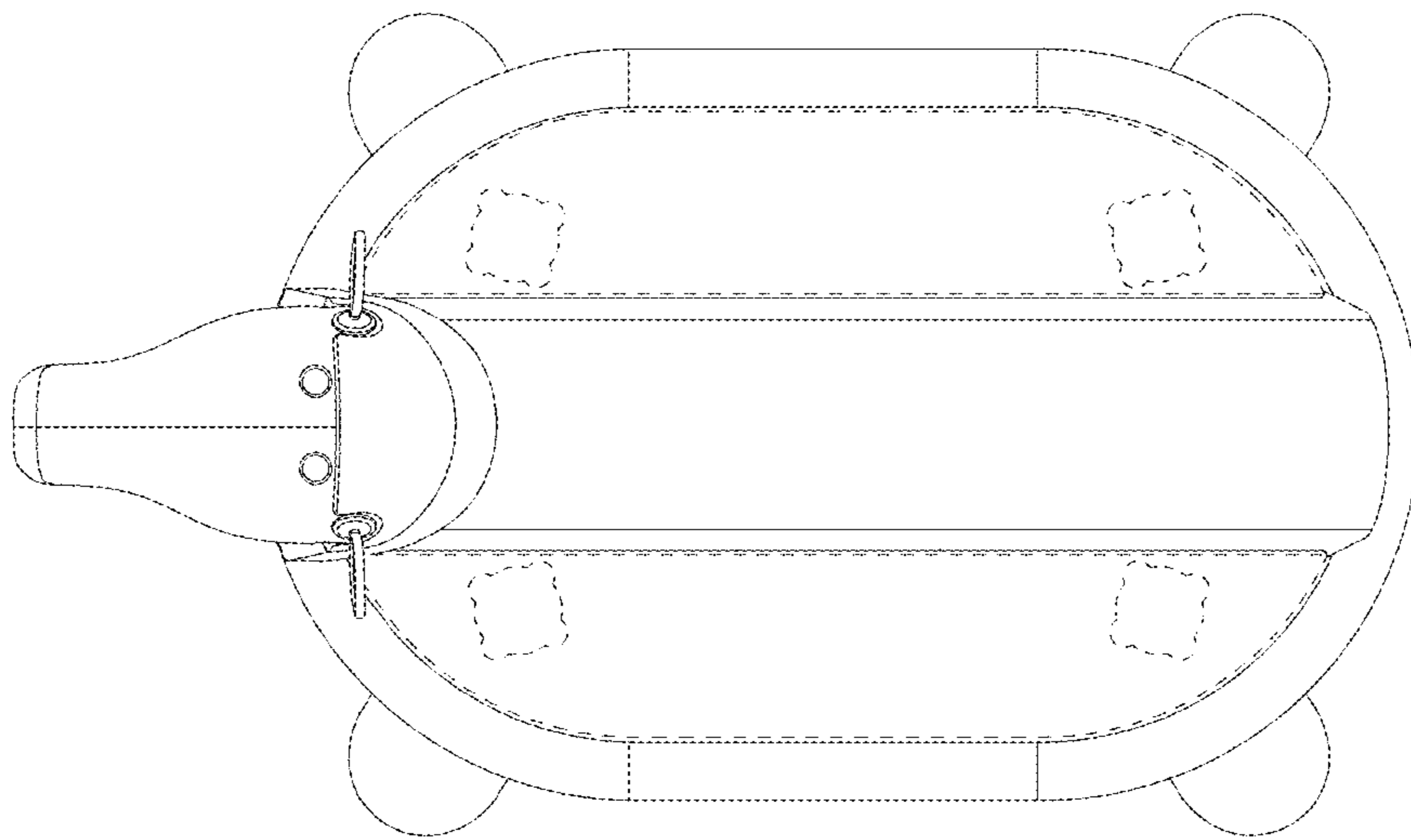


FIG. 2

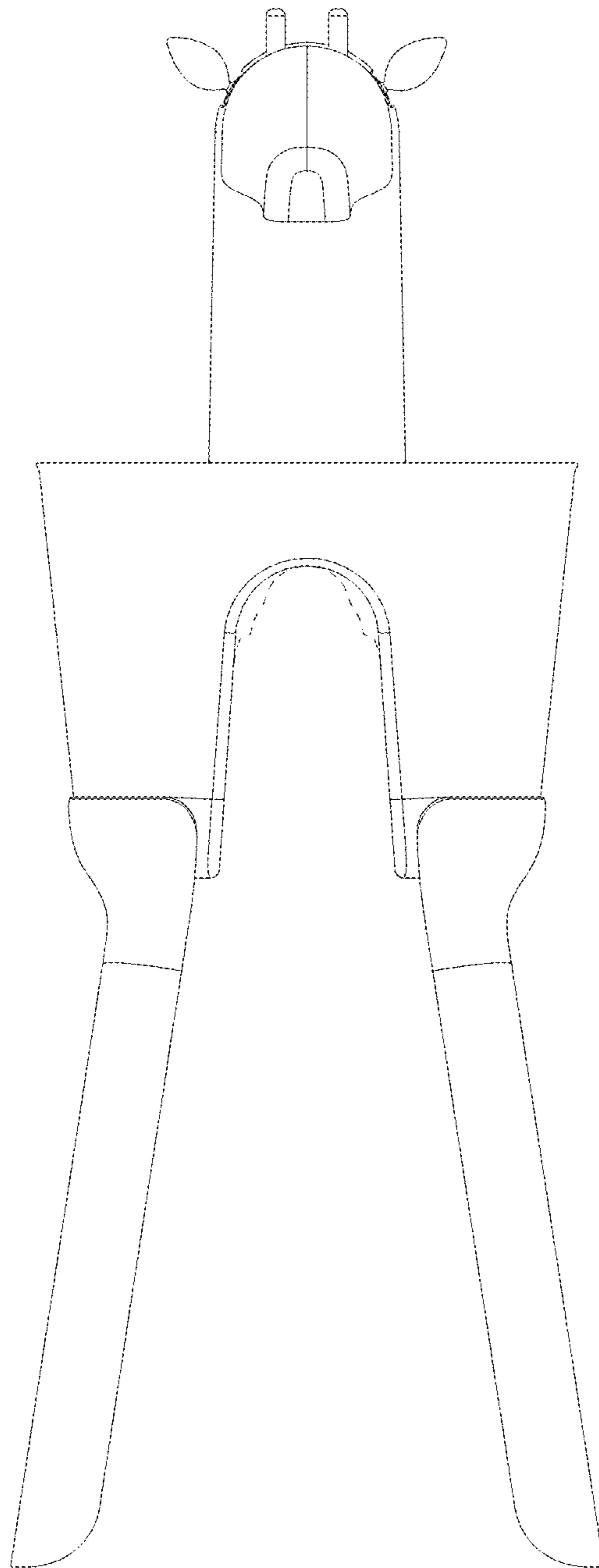


FIG. 3

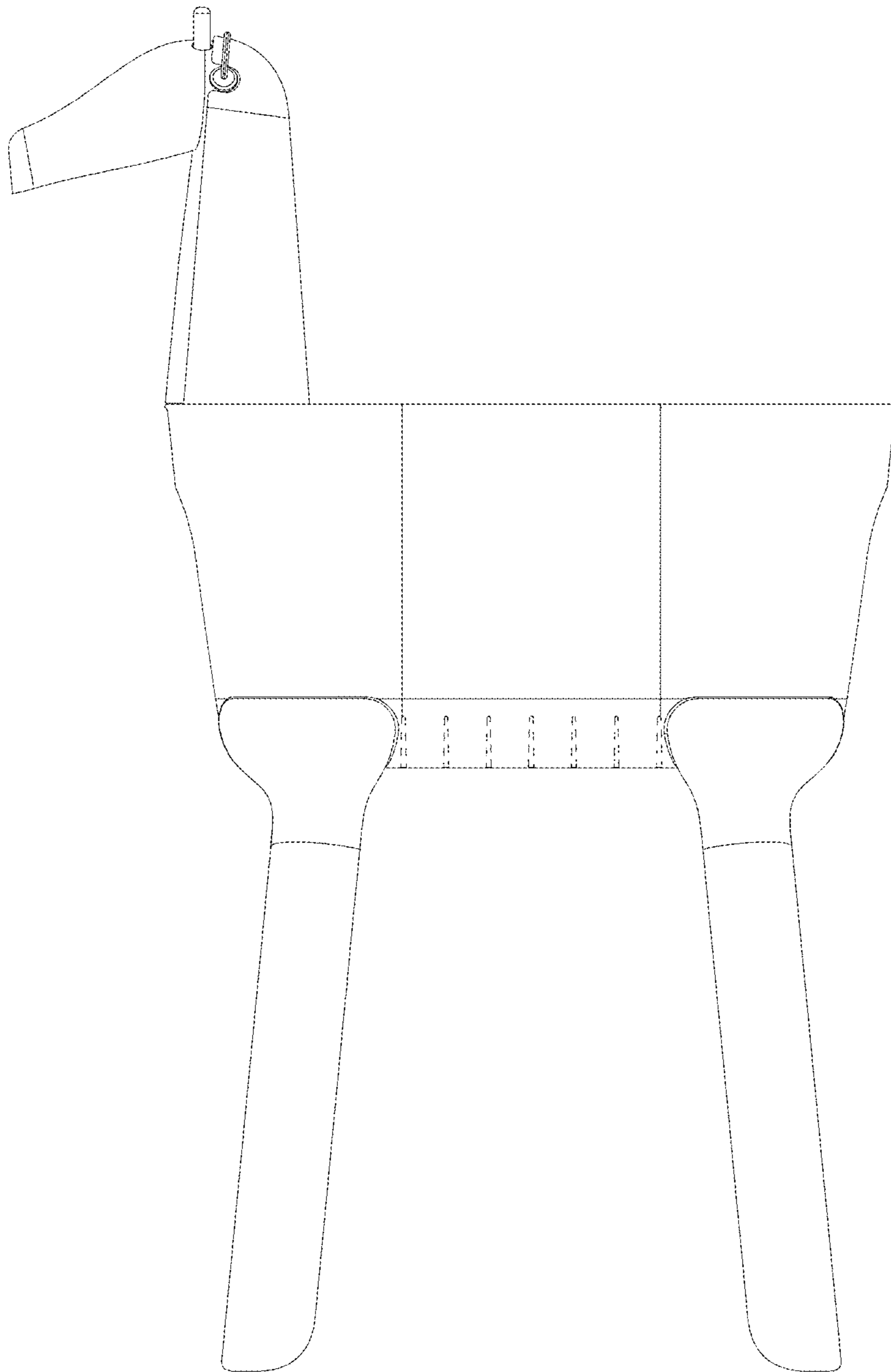


FIG. 4

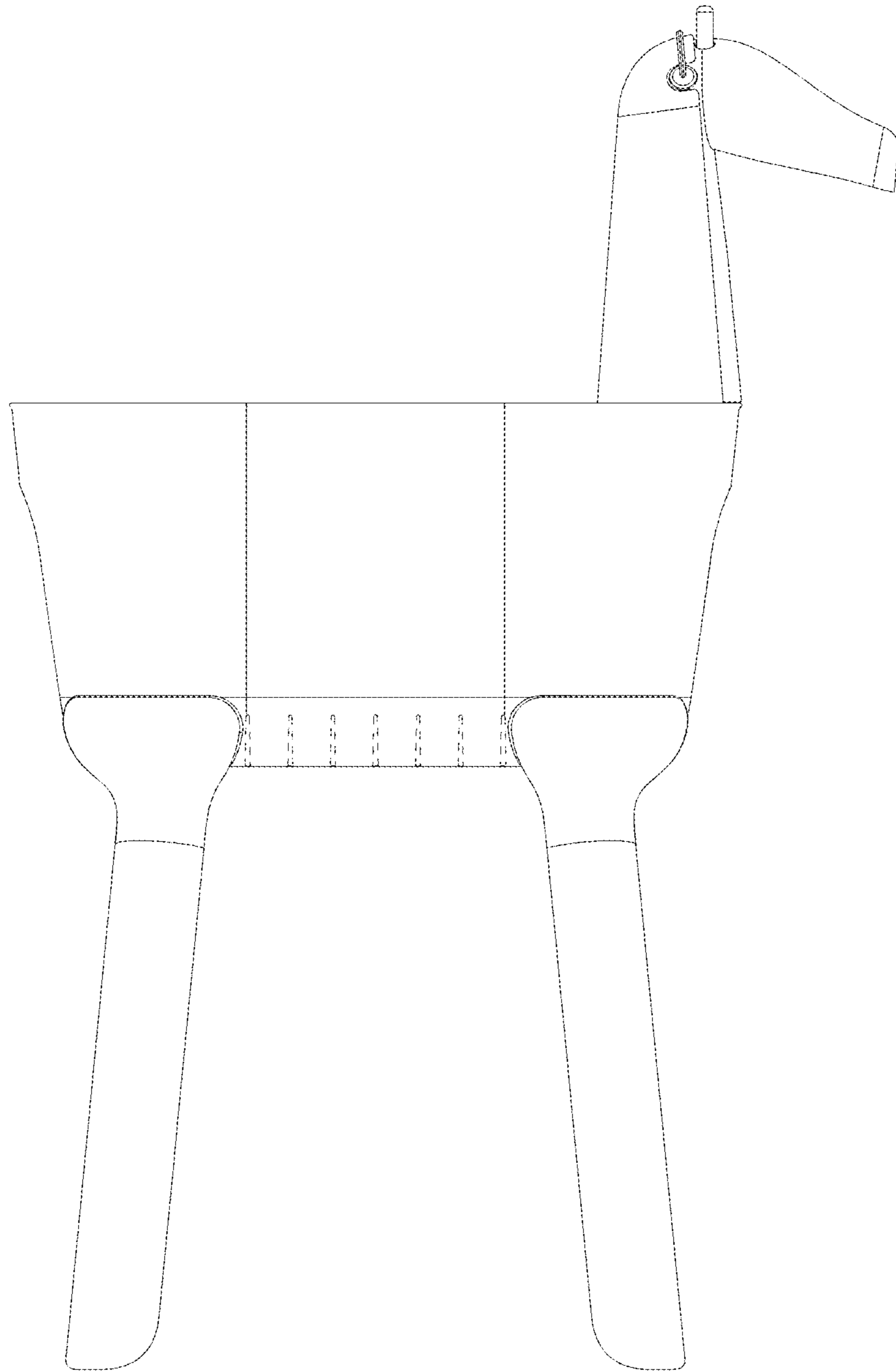


FIG. 5

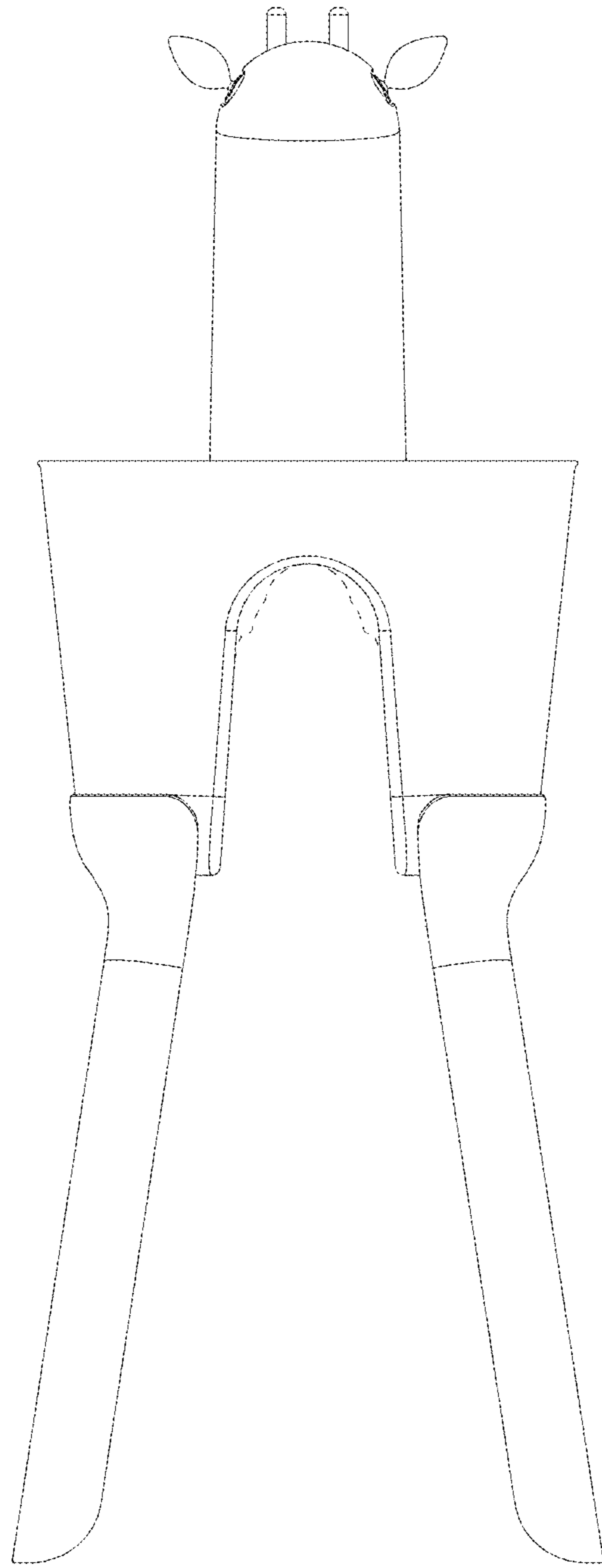


FIG. 6

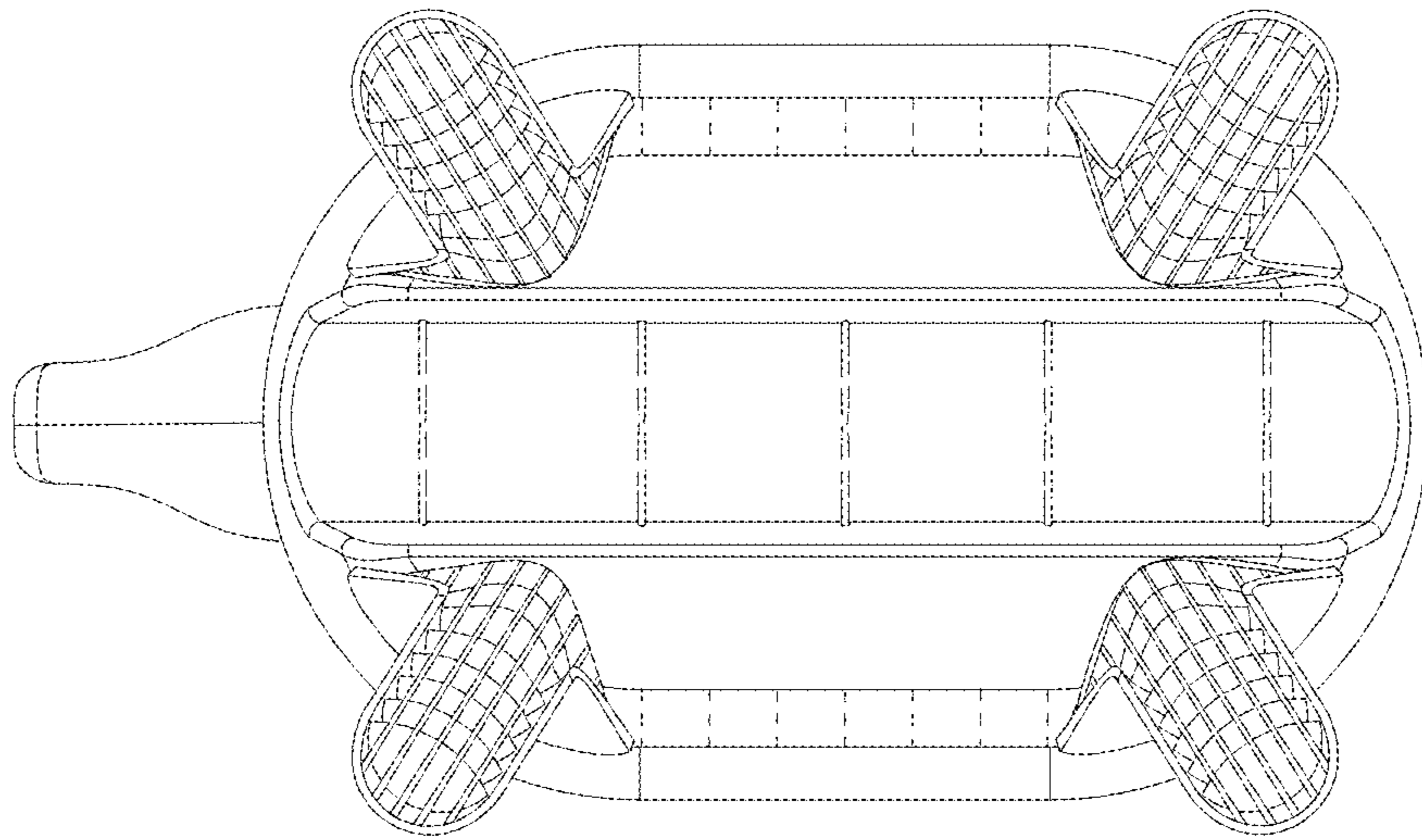


FIG. 7