



US00D857548S

(12) **United States Design Patent** (10) **Patent No.:** **US D857,548 S**  
**Batito** (45) **Date of Patent:** **\*\* Aug. 27, 2019**

(54) **FLOWER BOX**  
(71) Applicant: **Sagiv Batito**, Mazkeret Batya (IL)  
(72) Inventor: **Sagiv Batito**, Mazkeret Batya (IL)  
(\*\*) Term: **15 Years**  
(21) Appl. No.: **29/613,453**  
(22) Filed: **Aug. 10, 2017**  
(30) **Foreign Application Priority Data**  
Feb. 27, 2017 (IL) ..... 60028  
(51) **LOC (12) Cl.** ..... **11-02**  
(52) **U.S. Cl.**  
USPC ..... **D11/149**  
(58) **Field of Classification Search**  
USPC ..... D6/403, 404, 405, 556, 557, 558;  
D11/143, 144, 146, 147, 148, 149, 152;  
D25/100  
CPC ..... A47G 7/08  
See application file for complete search history.

(56) **References Cited**  
U.S. PATENT DOCUMENTS  
D87,881 S \* 10/1932 Lotto ..... D21/620  
D143,602 S \* 1/1946 Korn ..... D17/24  
D244,768 S \* 6/1977 Lacativo ..... D11/148

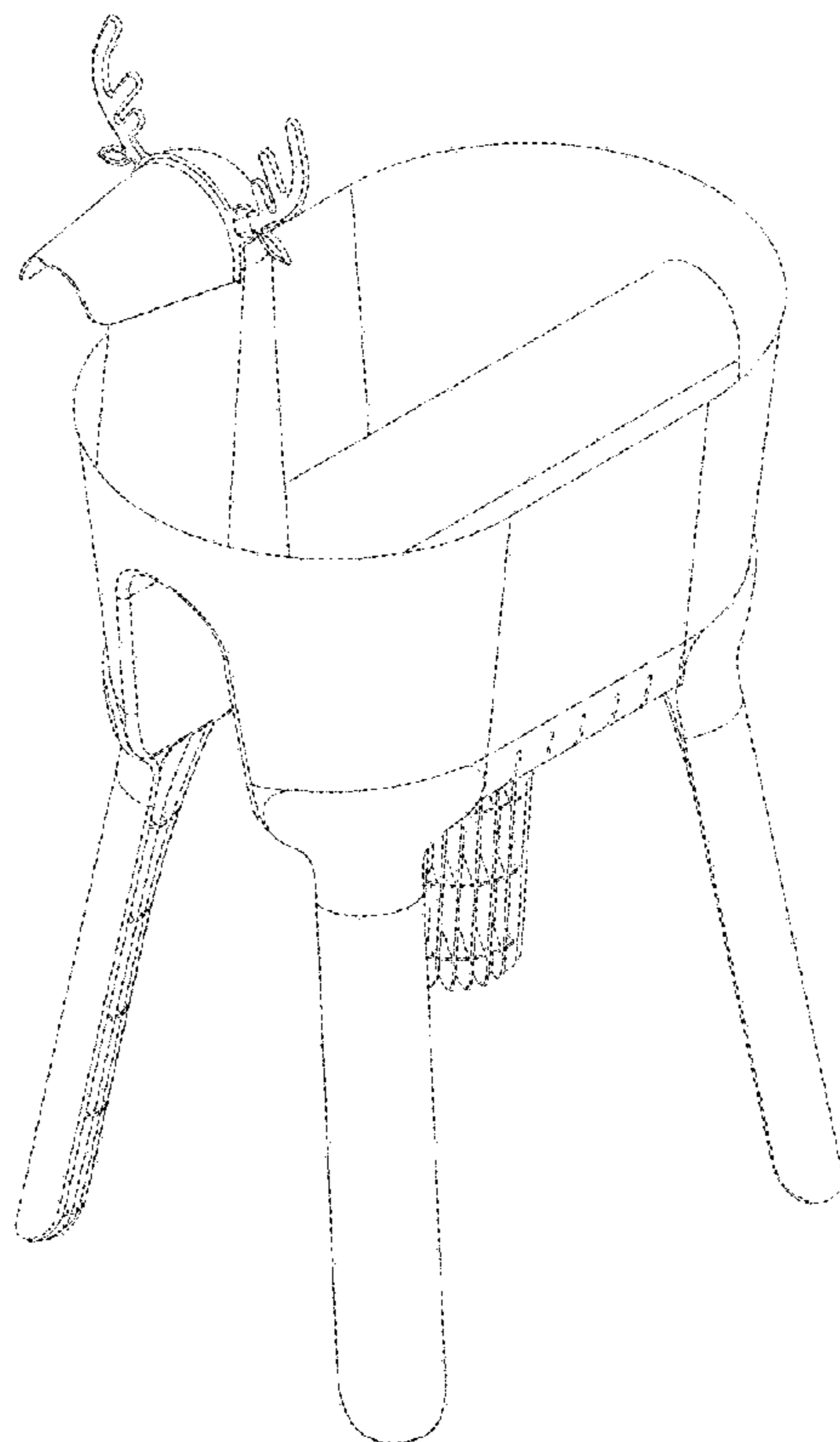
D270,850 S \* 10/1983 Ortega ..... D21/620  
4,914,860 A \* 4/1990 Richardson ..... A47G 7/08  
47/67  
D385,213 S \* 10/1997 McAllister ..... D11/156  
D520,676 S \* 5/2006 Chen ..... D21/620  
D578,036 S \* 10/2008 Dea ..... D11/149  
D820,149 S \* 6/2018 Tao ..... D11/152  
D821,258 S \* 6/2018 Tao ..... D11/152

\* cited by examiner  
*Primary Examiner* — Karen S Acker  
*Assistant Examiner* — Steven B Reinholdt, Jr.  
(74) *Attorney, Agent, or Firm* — The Roy Gross Law Firm, LLC; Roy Gross

(57) **CLAIM**  
The ornamental design for a flower box, as shown and described.

**DESCRIPTION**  
FIG. 1 is a front isometric view of a flower box in accordance with the new design;  
FIG. 2 is a top view thereof;  
FIG. 3 is a front view thereof;  
FIG. 4 is a right side elevation view thereof;  
FIG. 5 is a left side elevation view thereof;  
FIG. 6 is a rear view thereof; and,  
FIG. 7 is a bottom view thereof.  
The broken lines depict portions of the flower box that form no part of the claim.

**1 Claim, 7 Drawing Sheets**



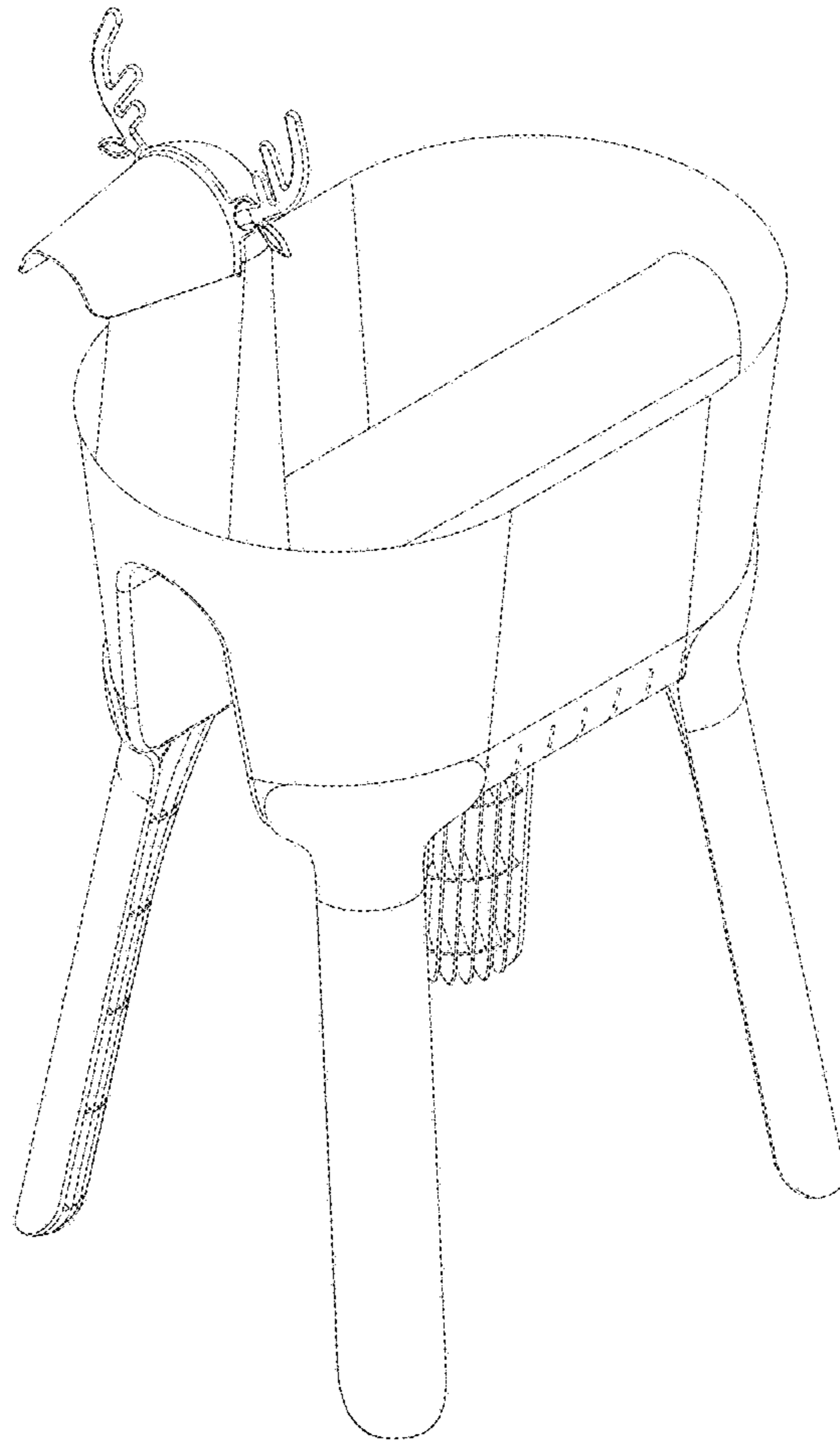


FIG. 1

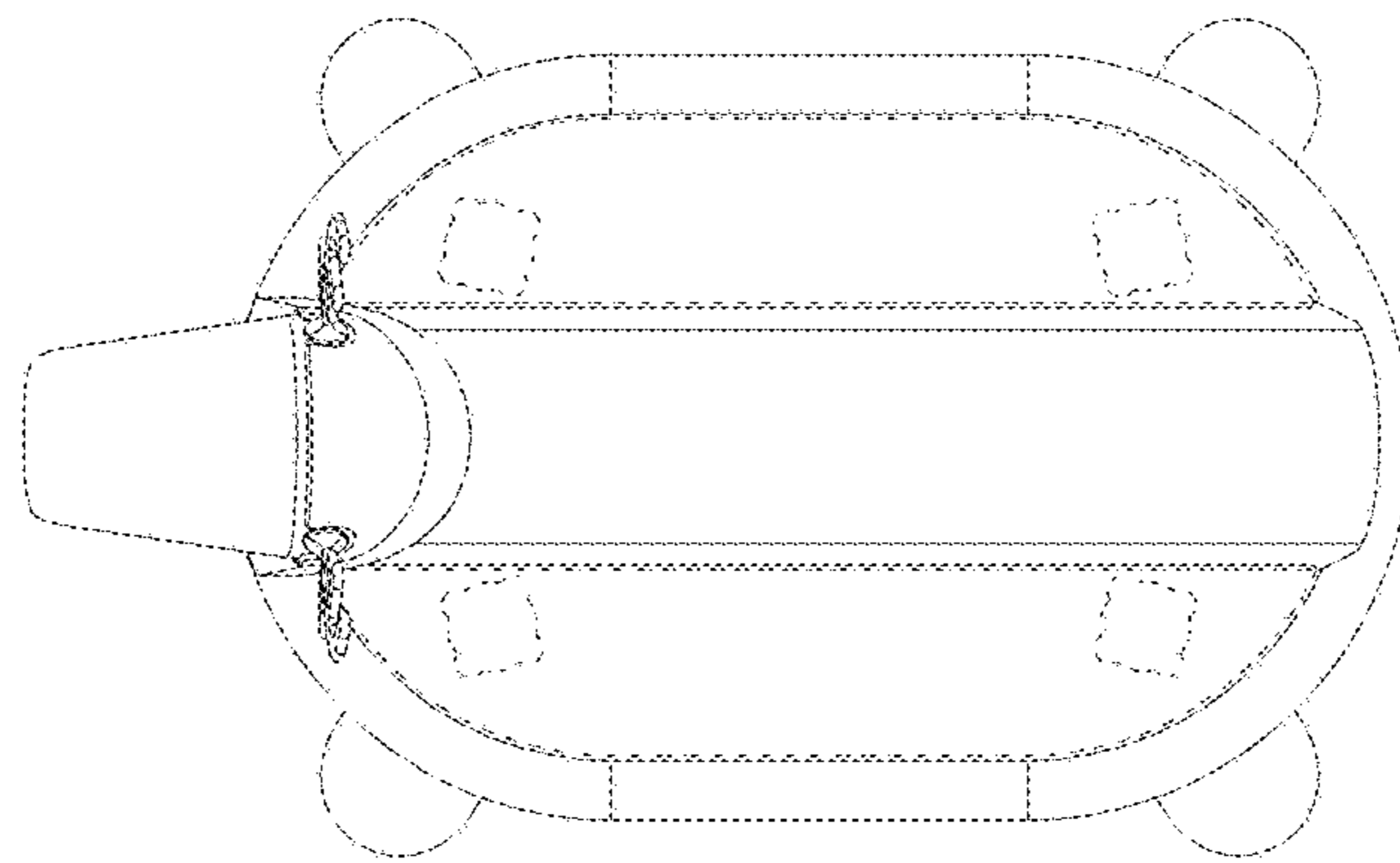


FIG. 2

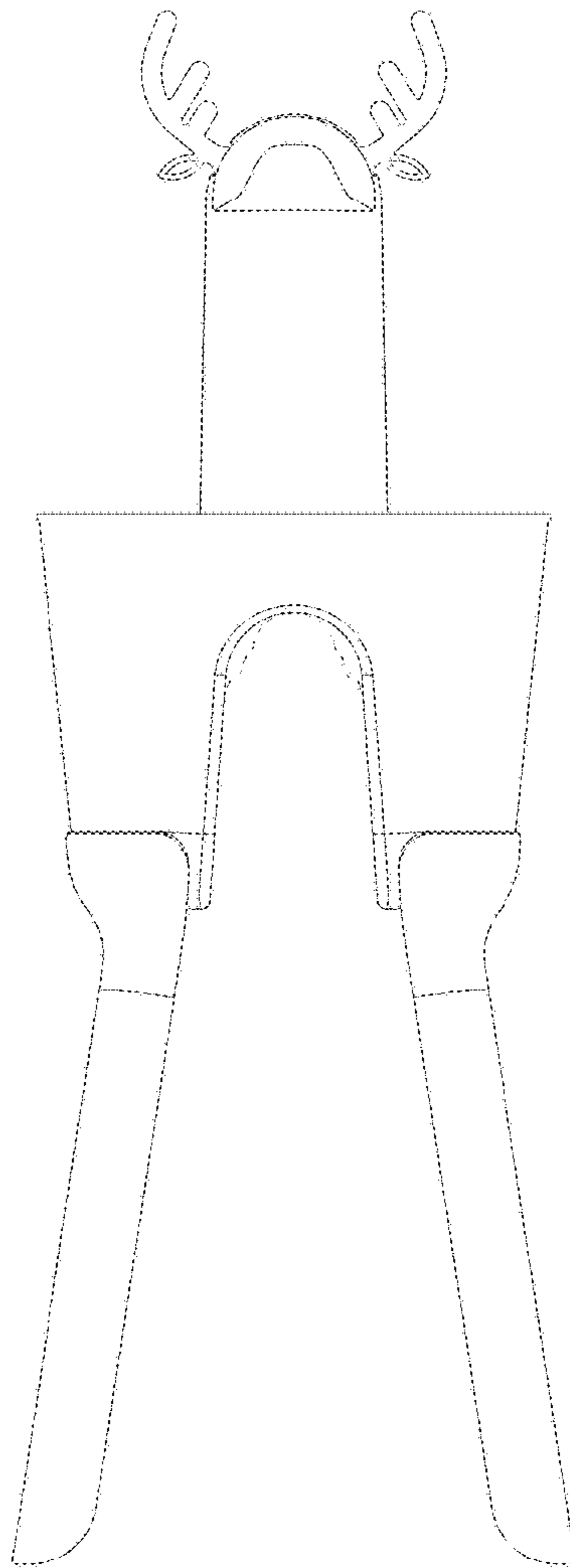


FIG. 3

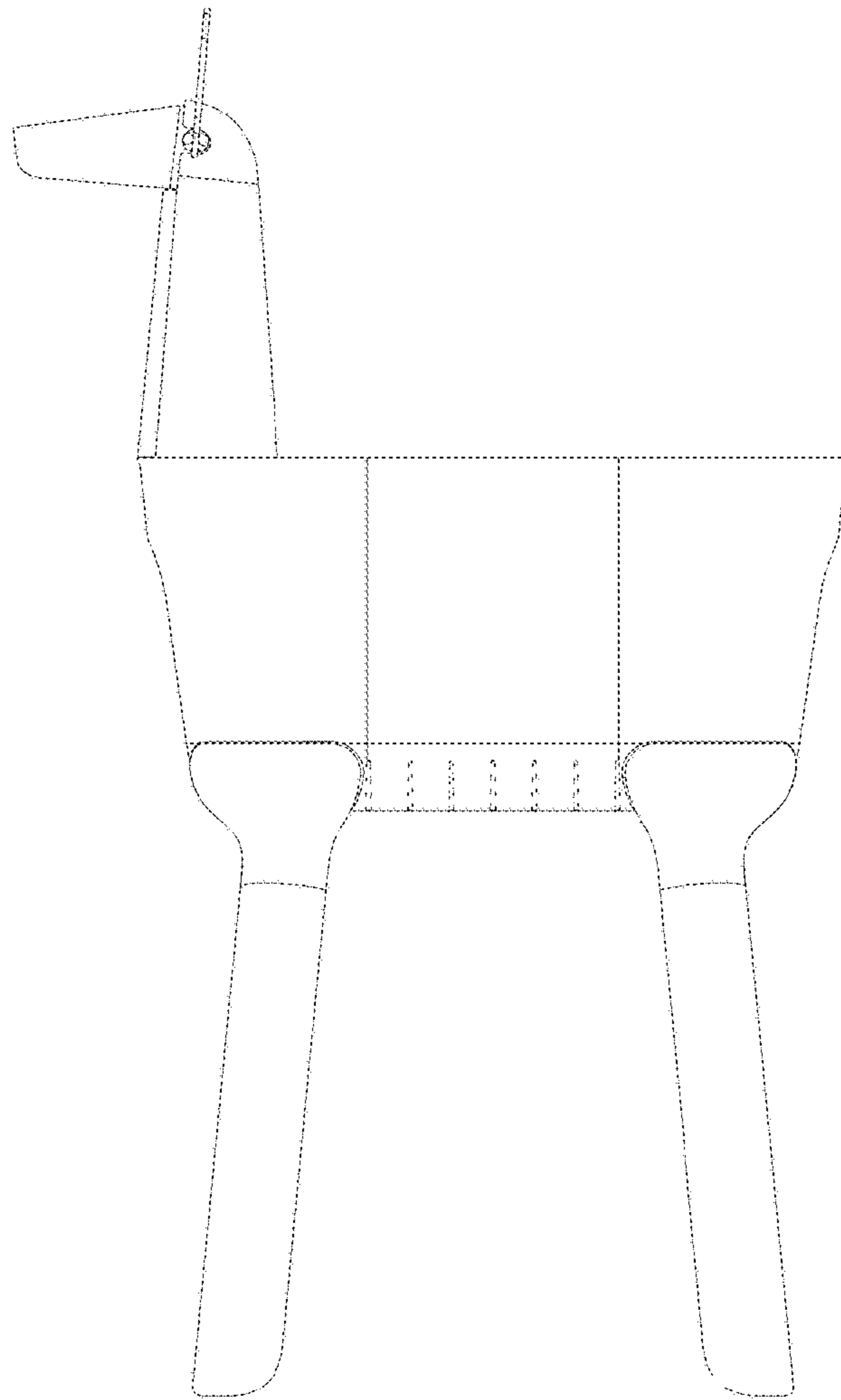


FIG. 4

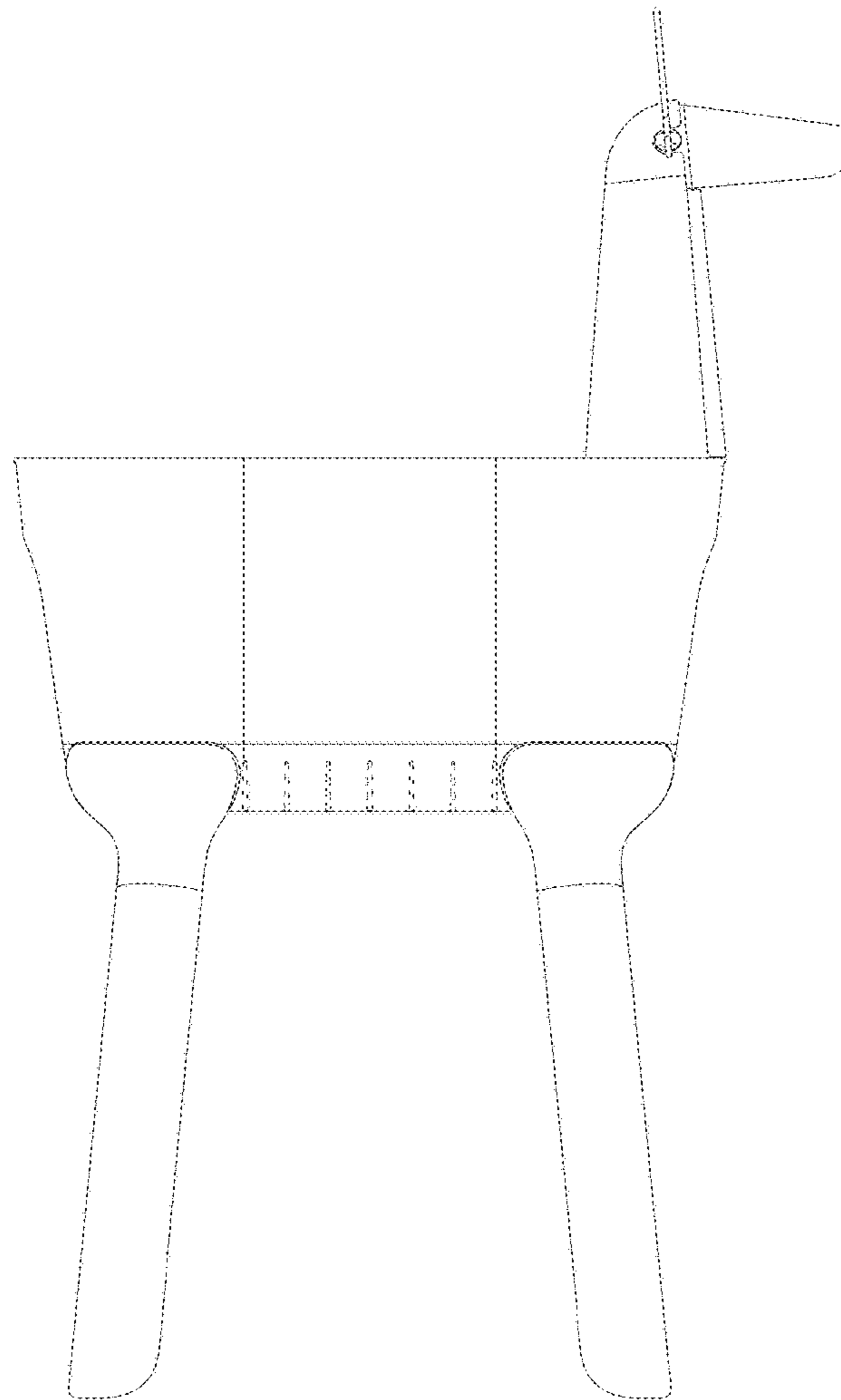


FIG. 5

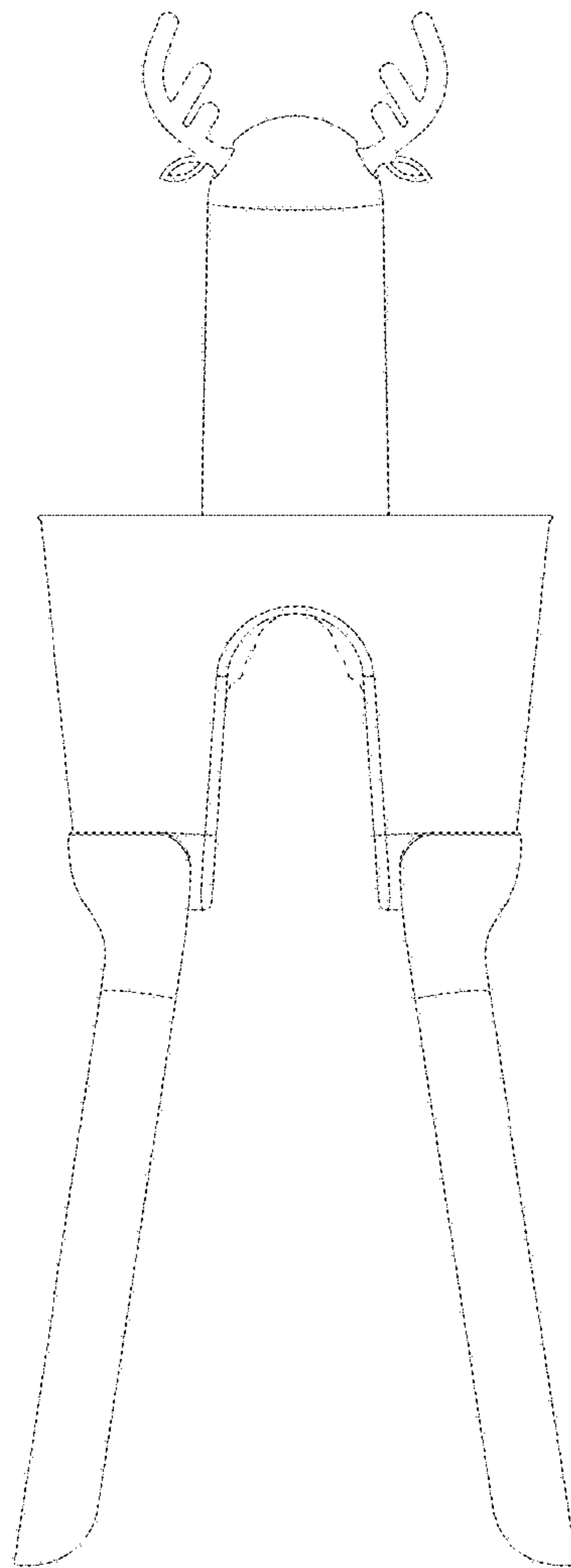


FIG. 6

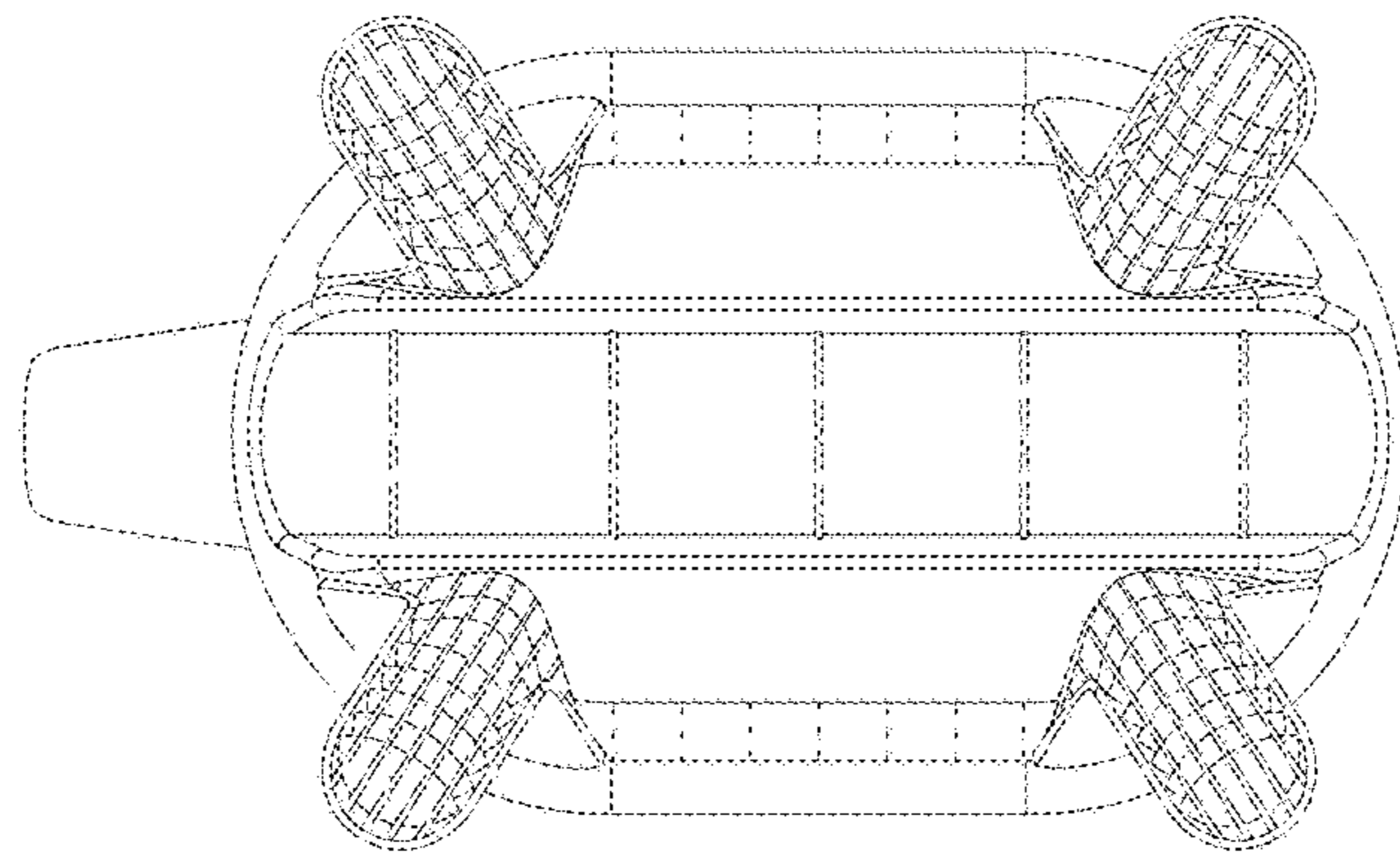


FIG. 7