

US00D857547S

(12) **United States Design Patent**
Burke et al.

(10) **Patent No.:** **US D857,547 S**

(45) **Date of Patent:** **** Aug. 27, 2019**

- (54) **ORNAMENT**
- (71) Applicant: **Luminara Worldwide, LLC**, Eden Prairie, MN (US)
- (72) Inventors: **Robert Craig Burke**, Deephaven, MN (US); **Cassandra Anne Swift**, Eden Prairie, MN (US); **Jeffrey Charles Lager**, Eden Prairie, MN (US)
- (73) Assignee: **Luminara Worldwide, LLC**, Eden Prairie, MN (US)
- (**) Term: **15 Years**
- (21) Appl. No.: **29/607,062**
- (22) Filed: **Jun. 9, 2017**
- (51) **LOC (12) Cl.** **11-05**
- (52) **U.S. Cl.**
USPC **D11/121; D26/6; D26/10; D26/22**
- (58) **Field of Classification Search**
USPC D11/117, 121, 125, 130, 131, 157, 164; D26/1, 5, 6, 7, 8, 9, 10, 20, 21, 22, 23, D26/96
CPC A47G 33/00; A47G 33/08; A47G 33/0836; A47G 33/10; A47G 33/105; A47G 2033/0827; F21S 6/00; F21S 6/001; F21S 10/04; F21S 10/043; F21W 2121/00; F21W 2121/002; F21W 2121/04
See application file for complete search history.

3,462,235	A *	8/1969	Summers	C11C 5/006 431/289
3,790,332	A *	2/1974	Woollard	F21S 13/12 431/126
D260,381	S *	8/1981	Adkins	D11/121
D355,389	S *	2/1995	Wang	D11/121
D427,936	S *	7/2000	Reif	D11/121
D430,319	S *	8/2000	Harris	D11/121
D443,083	S *	5/2001	Dearth	D26/10
D462,032	S *	8/2002	Schmauz-Grimsel	D11/121
D598,321	S *	8/2009	Rosenkotter	D11/117
D598,806	S *	8/2009	Rosenkotter	D11/117
D598,808	S *	8/2009	Rosenkotter	D11/117
D646,168	S *	10/2011	Jansen	D9/500
D713,265	S *	9/2014	Cooper	D11/121
D733,944	S *	7/2015	Cohanim	D26/22
D767,800	S *	9/2016	Moyal	D26/22
D779,707	S *	2/2017	Thompson	D26/96
D784,849	S *	4/2017	Liu	D11/121
D795,735	S *	8/2017	Li	D11/121
D812,255	S *	3/2018	Li	D26/26
2003/0049578	A1 *	3/2003	Freeman	C11C 5/008 431/291

* cited by examiner

Primary Examiner — Elizabeth J Oswecki
(74) *Attorney, Agent, or Firm* — Umberg Zipser LLP

(57) **CLAIM**

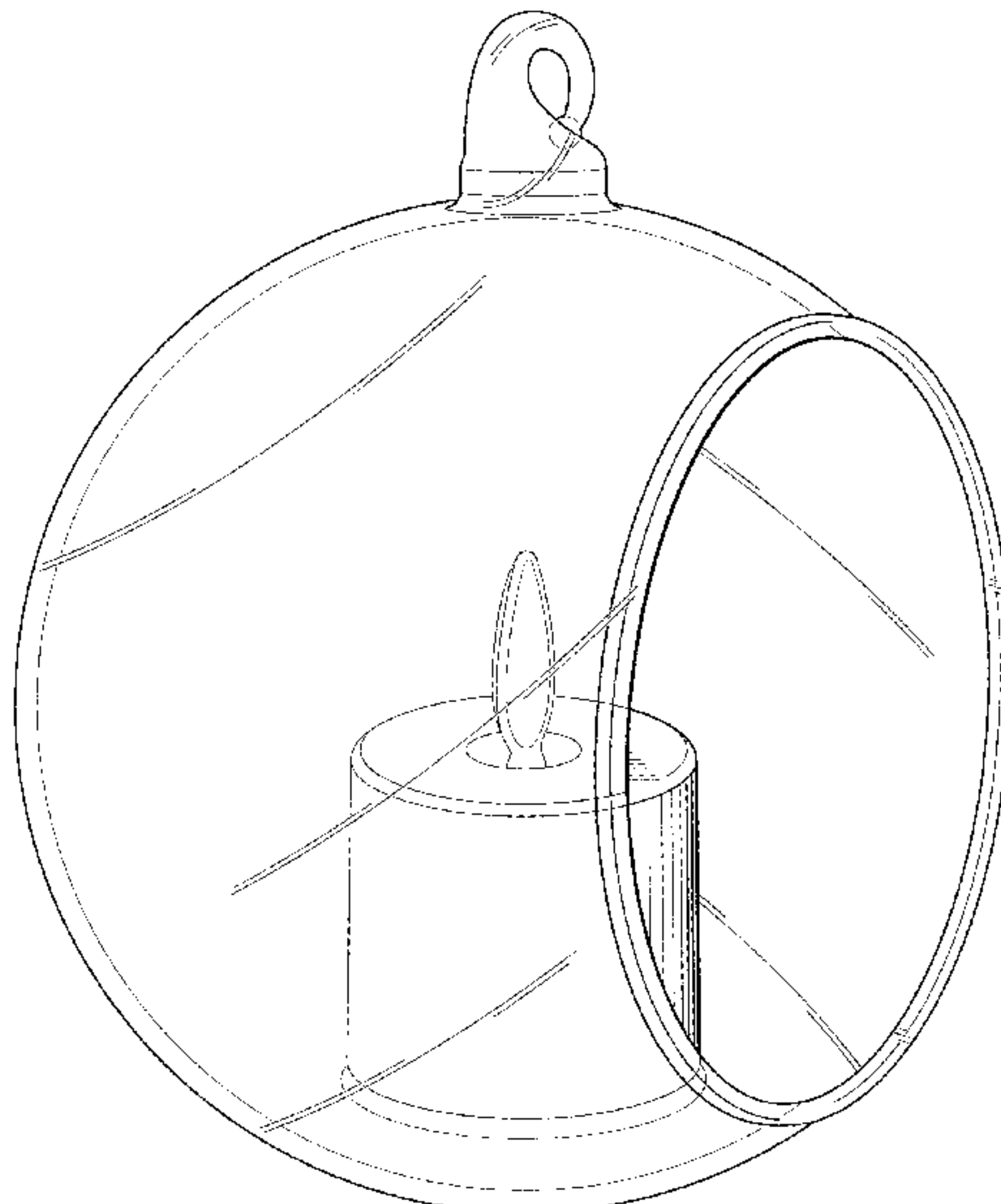
The ornamental design for an ornament, as shown and described.

DESCRIPTION

FIG. 1 is a top, front, left side perspective view of an ornament showing our new design;
FIG. 2 is a front elevation view thereof;
FIG. 3 is a right side elevation view thereof;
FIG. 4 is a left side elevation view thereof;
FIG. 5 is a rear elevation view thereof;
FIG. 6 is a top plan view thereof; and,
FIG. 7 is a bottom plan view thereof.

1 Claim, 4 Drawing Sheets

- (56) **References Cited**
U.S. PATENT DOCUMENTS
D70,233 S * 5/1926 Mann D10/54
D99,892 S * 6/1936 Pollock D11/121
D110,631 S * 7/1938 Schachter D11/121
2,476,011 A * 7/1949 Wise A47G 33/06
428/7
2,782,296 A * 2/1957 Walter F21S 4/10
362/392



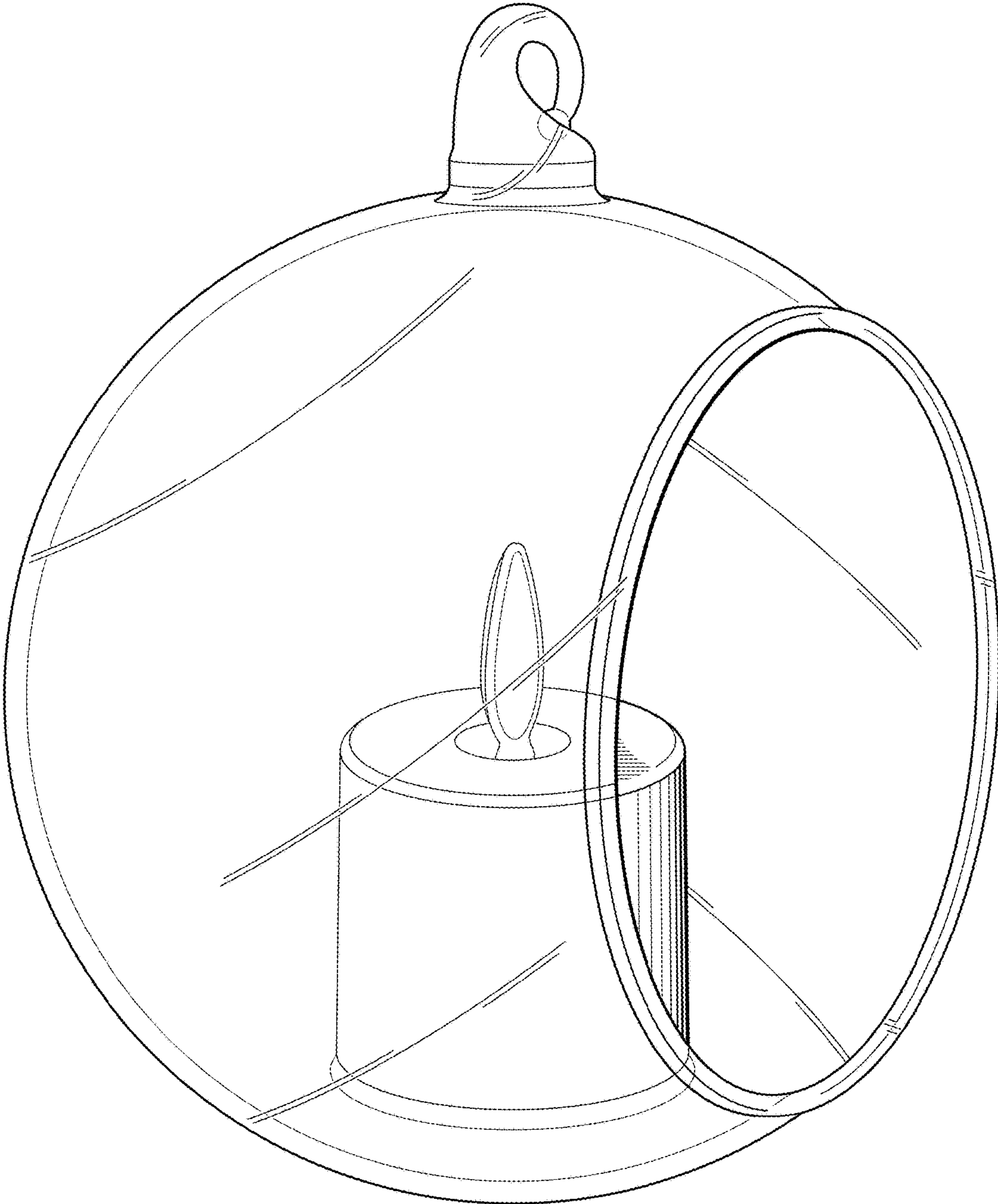


FIG. 1

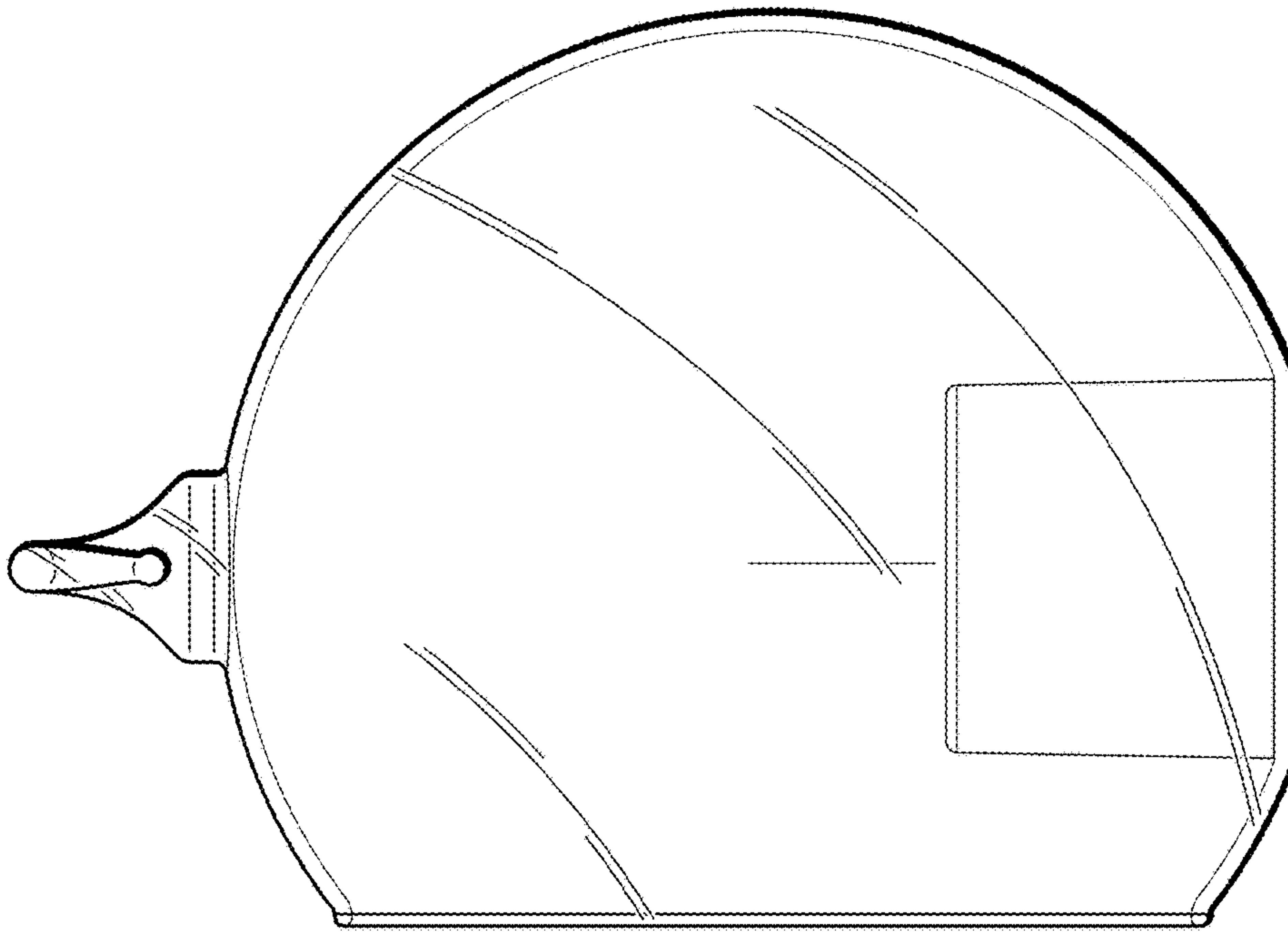


FIG. 3

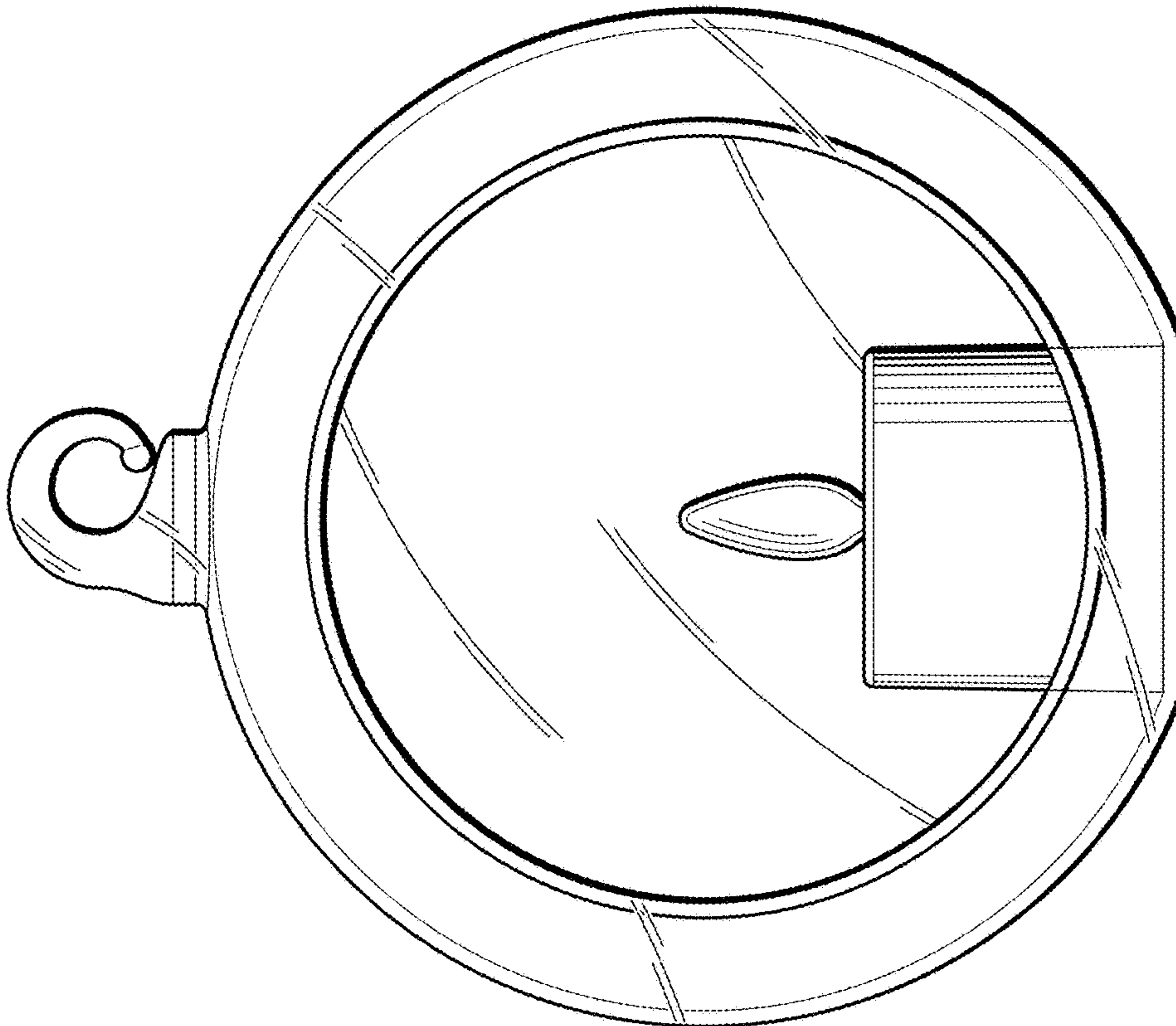


FIG. 2

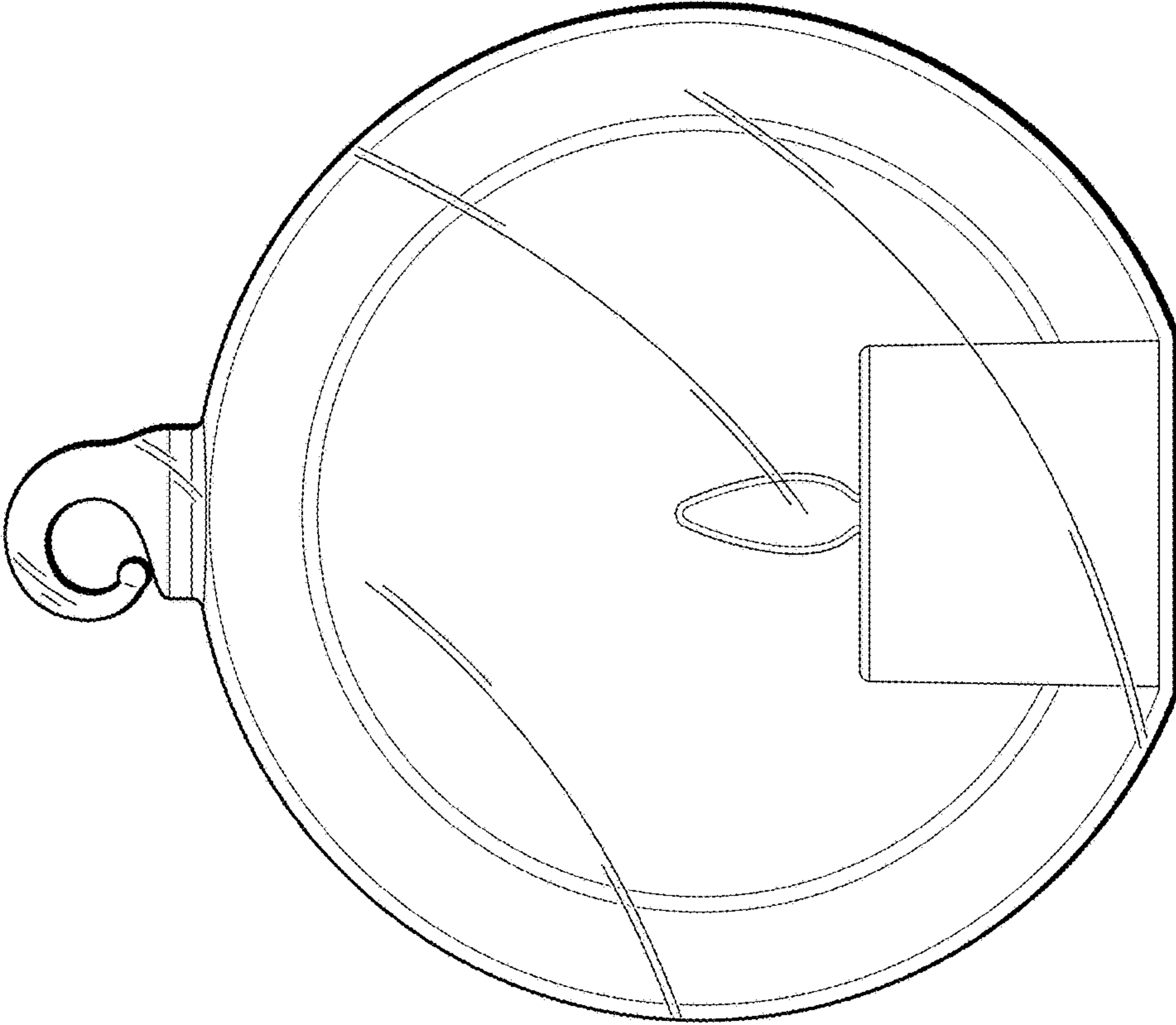


FIG. 5

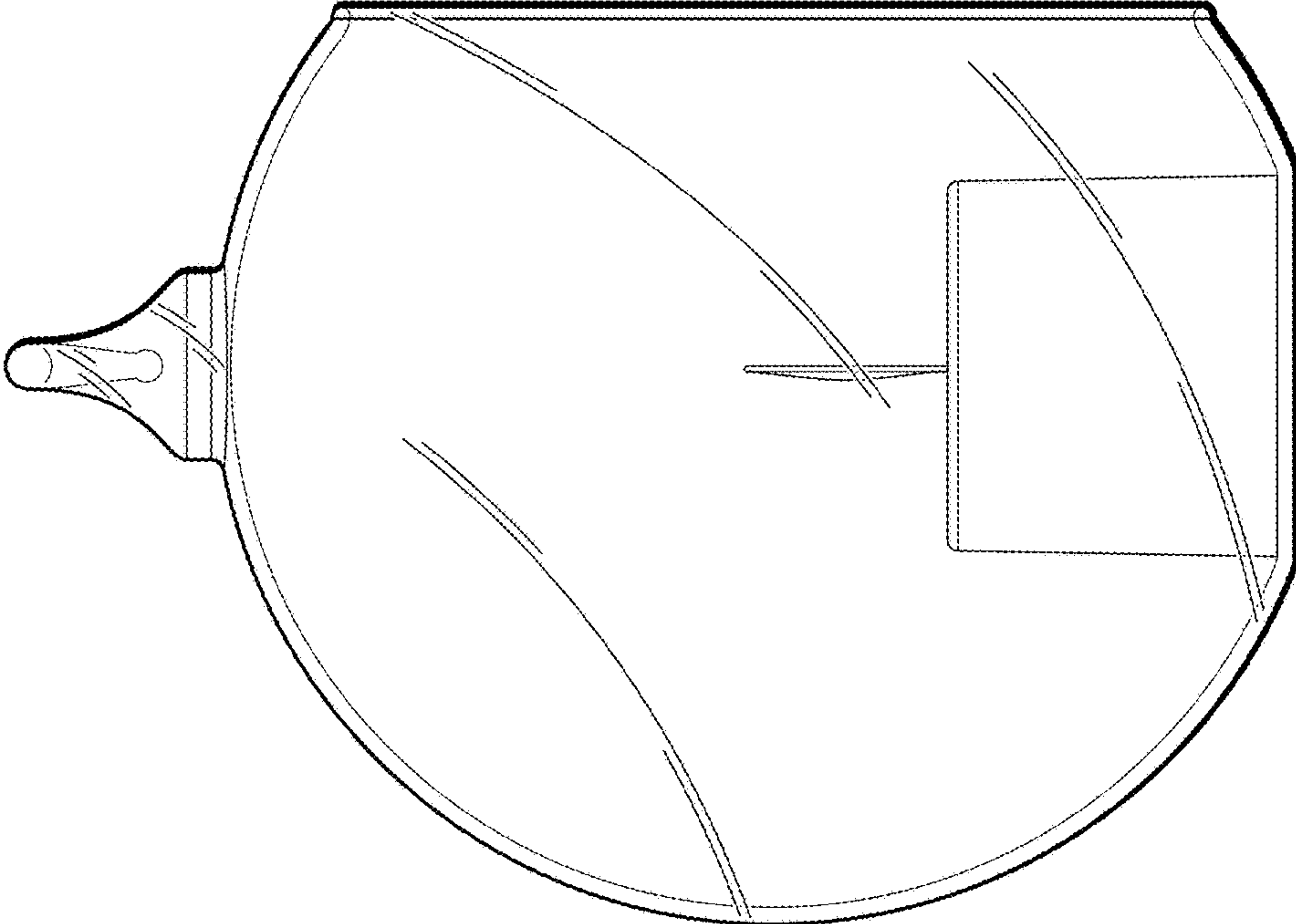


FIG. 4

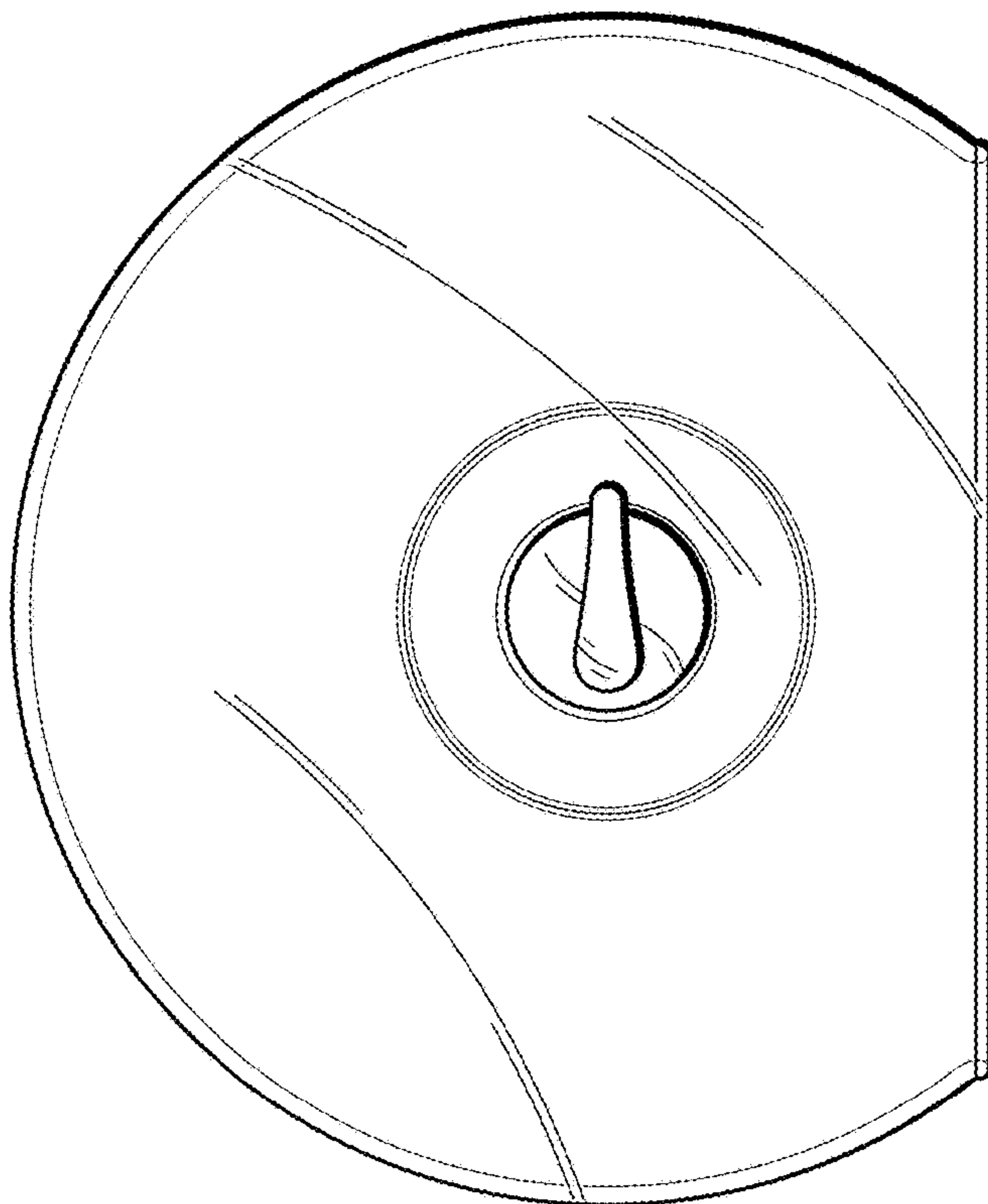


FIG. 6

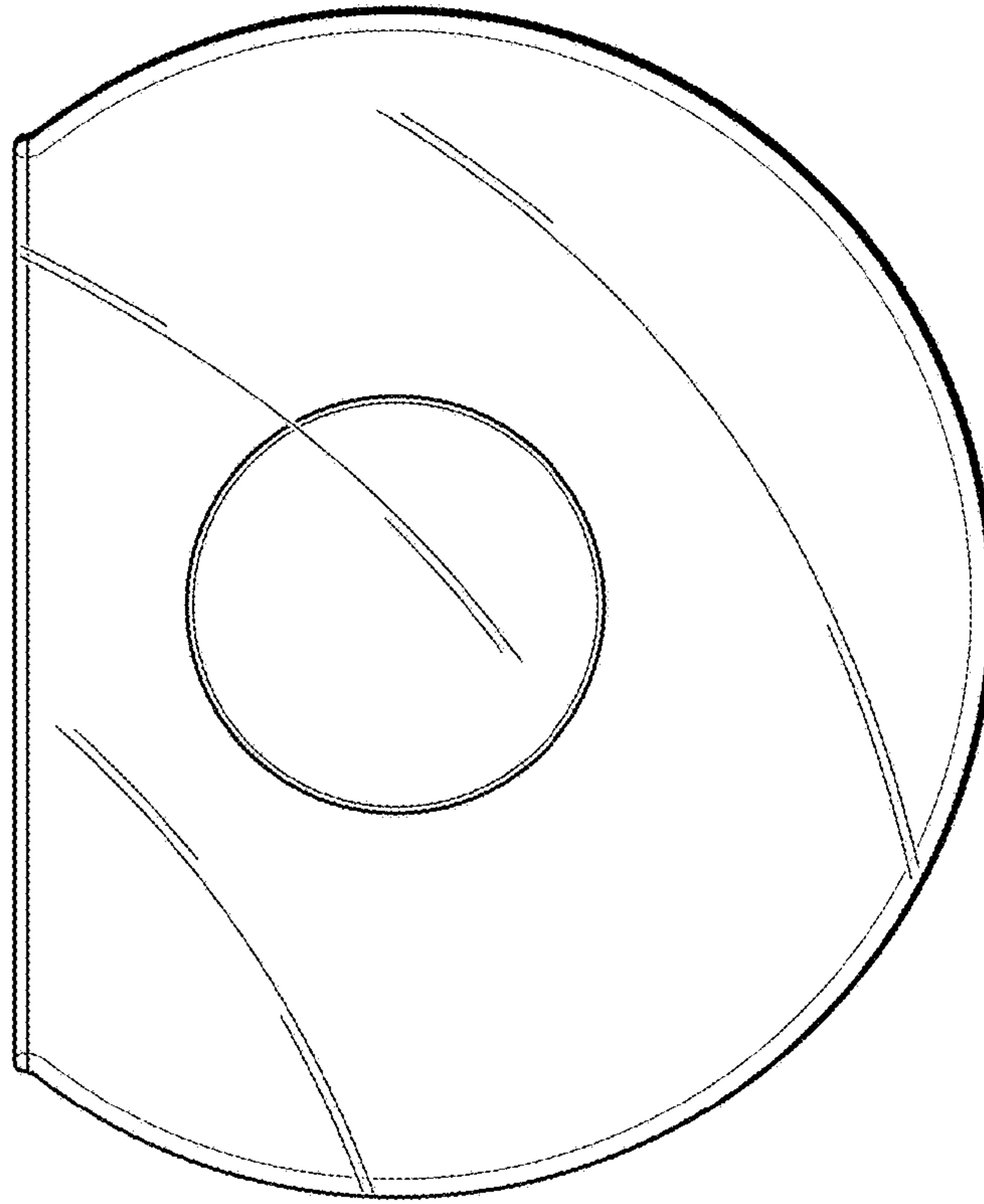


FIG. 7