



US00D857544S

(12) **United States Design Patent** (10) **Patent No.:** **US D857,544 S**
Akana et al. (45) **Date of Patent:** **** Aug. 27, 2019**

(54) **BAND ATTACHMENT**

(71) Applicant: **Apple Inc.**, Cupertino, CA (US)

(72) Inventors: **Jody Akana**, San Francisco, CA (US); **Bartley K. Andre**, Palo Alto, CA (US); **Shota Aoyagi**, San Francisco, CA (US); **Anthony Michael Ashcroft**, San Francisco, CA (US); **Jeremy Bataillou**, San Francisco, CA (US); **Daniel J. Coster**, San Francisco, CA (US); **Daniele De Iuliis**, San Francisco, CA (US); **M. Evans Hankey**, San Francisco, CA (US); **Julian Hoenig**, San Francisco, CA (US); **Richard P. Howarth**, San Francisco, CA (US); **Jonathan P. Ive**, San Francisco, CA (US); **Duncan Robert Kerr**, San Francisco, CA (US); **Marc A. Newson**, London (GB); **Matthew Dean Rohrbach**, San Francisco, CA (US); **Peter Russell-Clarke**, San Francisco, CA (US); **Benjamin Andrew Shaffer**, San Jose, CA (US); **Mikael Silvanto**, San Francisco, CA (US); **Christopher J. Stringer**, Woodside, CA (US); **Eugene Antony Whang**, San Francisco, CA (US); **Rico Zörkendörfer**, San Francisco, CA (US)

(73) Assignee: **Apple Inc.**, Cupertino, CA (US)

(**) Term: **15 Years**

(21) Appl. No.: **29/666,679**

(22) Filed: **Oct. 15, 2018**

Related U.S. Application Data

(63) Continuation of application No. 29/563,409, filed on May 4, 2016, now Pat. No. Des. 830,886, which is a (Continued)

(51) **LOC (12) Cl.** **11-01**

(52) **U.S. Cl.**
USPC **D11/94**

(58) **Field of Classification Search**
USPC D11/1, 25, 32, 93, 94; D10/30–32
(Continued)

(56) **References Cited**

U.S. PATENT DOCUMENTS

2,163,208 A * 6/1939 Moody A44C 5/14
224/177
D178,326 S 7/1956 Sharp et al.
(Continued)

FOREIGN PATENT DOCUMENTS

EP 2636328 A1 9/2013
GB 618917 A 3/1949
(Continued)

OTHER PUBLICATIONS

etsy.com, “1 Set Silver End Cap Clasp—Findings Large Toggle Clasp End Caps Buckle Connector with Five Inside Loops for Jewelry Making 26mm,” <<http://www.etsy.com/listing/101269004/1-set-silver-end-cap-clasp-findings?ref=market>>, Listed on Aug. 29, 2014, accessed Oct. 9, 2014.

Primary Examiner — **Zenia I Bennett**

(74) *Attorney, Agent, or Firm* — **Sterne, Kessler, Goldstein & Fox P.L.L.C.**

(57) **CLAIM**

The ornamental design for a band attachment, as shown and described.

DESCRIPTION

FIG. 1 is a bottom front perspective view of a band attachment showing the claimed design;
FIG. 2 is a bottom rear perspective view thereof;
FIG. 3 is a front view thereof;
FIG. 4 is a rear view thereof;
FIG. 5 is a left side view thereof;

(Continued)

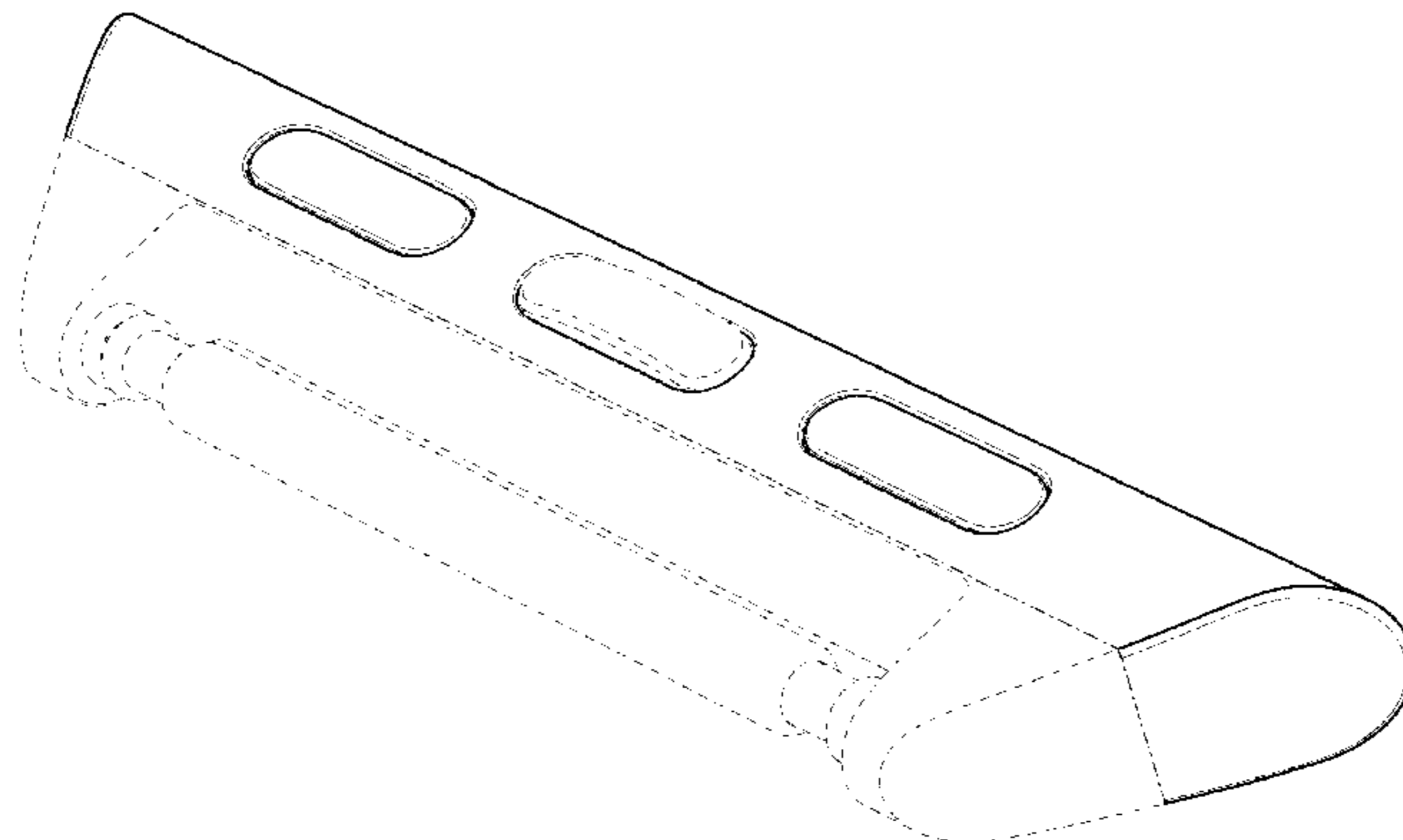


FIG. 6 is a right side view thereof;
FIG. 7 is a bottom view thereof; and,
FIG. 8 is a top view thereof.

The dashed broken lines in the figures show portions of the band attachment that form no part of the claimed design.

The dot-dash lines in the figures show boundaries that form no part of the claimed design.

1 Claim, 4 Drawing Sheets

Related U.S. Application Data

continuation of application No. 29/519,400, filed on Mar. 4, 2015, now Pat. No. Des. 762,515, which is a continuation of application No. 29/501,763, filed on Sep. 8, 2014, now Pat. No. Des. 727,787, which is a continuation of application No. 29/498,987, filed on Aug. 11, 2014, now Pat. No. Des. 749,460, application No. 29/666,679, which is a continuation of application No. 29/563,408, filed on May 4, 2016, now Pat. No. Des. 830,885, which is a continuation of application No. 29/519,400, which is a continuation of application No. 29/501,763, which is a continuation of application No. 29/498,987, application No. 29/666,679, which is a continuation of application No. 29/562,158, filed on Apr. 22, 2016, now Pat. No. Des. 830,884, which is a continuation of application No. 29/524,689, filed on Apr. 22, 2015, now Pat. No. Des. 763,128, which is a continuation of application No. 29/501,763, which is a continuation of application No. 29/498,987, application No. 29/666,679, which is a continuation of application No. 29/559,879, filed on Mar. 31, 2016, now Pat. No. Des. 830,883, which is a continuation of application No. 29/518,911, filed on Feb. 27, 2015, now Pat. No. Des. 761,688, which is a continuation of application No. 29/498,987, application No. 29/666,679, which is a continuation of application No. 29/559,874, filed on Mar. 31, 2016, now Pat. No. Des. 830,882, which is a continuation of application No. 29/518,911, which is a continuation of application No. 29/498,987, application No. 29/666,679, which is a continuation of application No. 29/559,870, filed on Mar. 31, 2016, now Pat. No. Des. 830,881, which is a continuation of application No. 29/518,911, which is a continuation of application No. 29/498,987.

(58) **Field of Classification Search**

CPC A44C 5/02-5/246
See application file for complete search history.

(56)

References Cited

U.S. PATENT DOCUMENTS

3,030,686 A	4/1962	Burkhardt	
3,237,395 A	3/1966	Bennett	
3,609,963 A	10/1971	Minoru	
3,665,565 A	5/1972	Kruger	
3,675,284 A	7/1972	Rieth	
3,965,670 A	6/1976	Ihringer	
D305,743 S	1/1990	Hirsch	
5,363,351 A *	11/1994	Carney	A44C 5/14 224/164
D382,504 S	8/1997	Strasser	
6,101,842 A	8/2000	Delacretaz	
D473,818 S	4/2003	Salvisberg	
D494,098 S	8/2004	Cohen	
D643,772 S	8/2011	Mikkelsen	
8,601,784 B2 *	12/2013	Kaltenrieder	A44C 5/185 24/265 B
8,662,743 B2 *	3/2014	Speichinger	G04B 37/1486 224/165
D724,469 S	3/2015	Akana et al.	
D727,197 S	4/2015	Akana et al.	
D727,198 S	4/2015	Akana et al.	
D727,199 S	4/2015	Akana et al.	
D727,787 S	4/2015	Akana et al.	
9,010,593 B2 *	4/2015	Tschumi	G04B 37/1486 224/164
D731,346 S	6/2015	Akana et al.	
D735,588 S	8/2015	Shimunov	
D737,156 S	8/2015	Akana et al.	
D737,157 S	8/2015	Akana et al.	
D737,158 S	8/2015	Akana et al.	
D737,159 S	8/2015	Akana et al.	
D739,780 S	9/2015	Akana et al.	
D744,356 S	12/2015	Akana et al.	
D745,421 S	12/2015	Akana et al.	
D746,707 S	1/2016	Akana et al.	
D748,008 S	1/2016	Akana et al.	
D748,009 S	1/2016	Akana et al.	
D748,010 S	1/2016	Akana et al.	
D748,527 S	2/2016	Akana et al.	
D749,009 S	2/2016	Akana et al.	
D749,460 S	2/2016	Akana et al.	
D751,070 S	3/2016	Akana et al.	
2007/0070823 A1	3/2007	Sima	
2007/0125123 A1	6/2007	Sierro et al.	
2012/0312052 A1	12/2012	Yliluoma et al.	
2014/0096345 A1	4/2014	Tschumi	
2014/0098649 A1	4/2014	Tschumi	

FOREIGN PATENT DOCUMENTS

GB	2082277	6/1999
WO	WO-2013182397 A1	12/2013

* cited by examiner

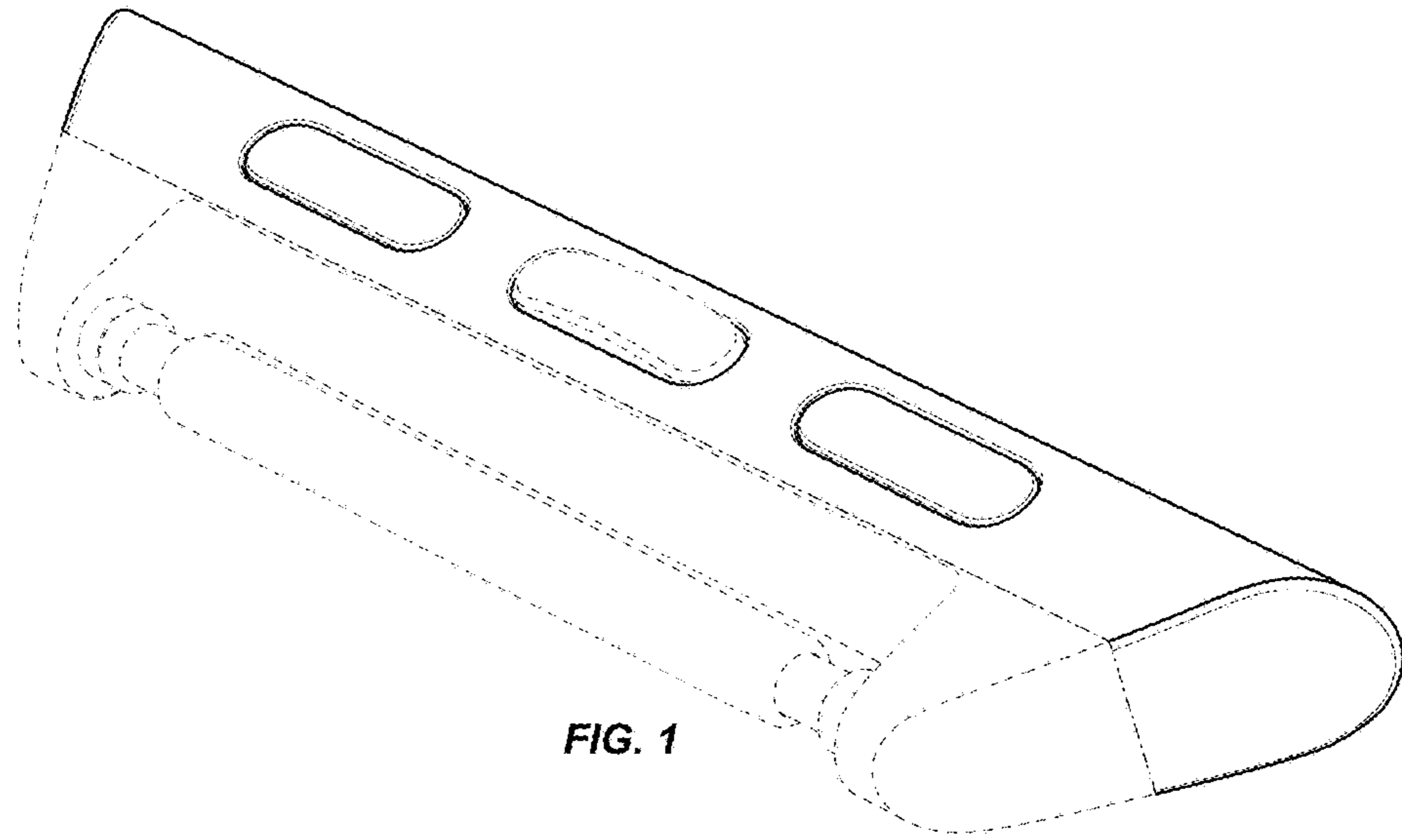


FIG. 1

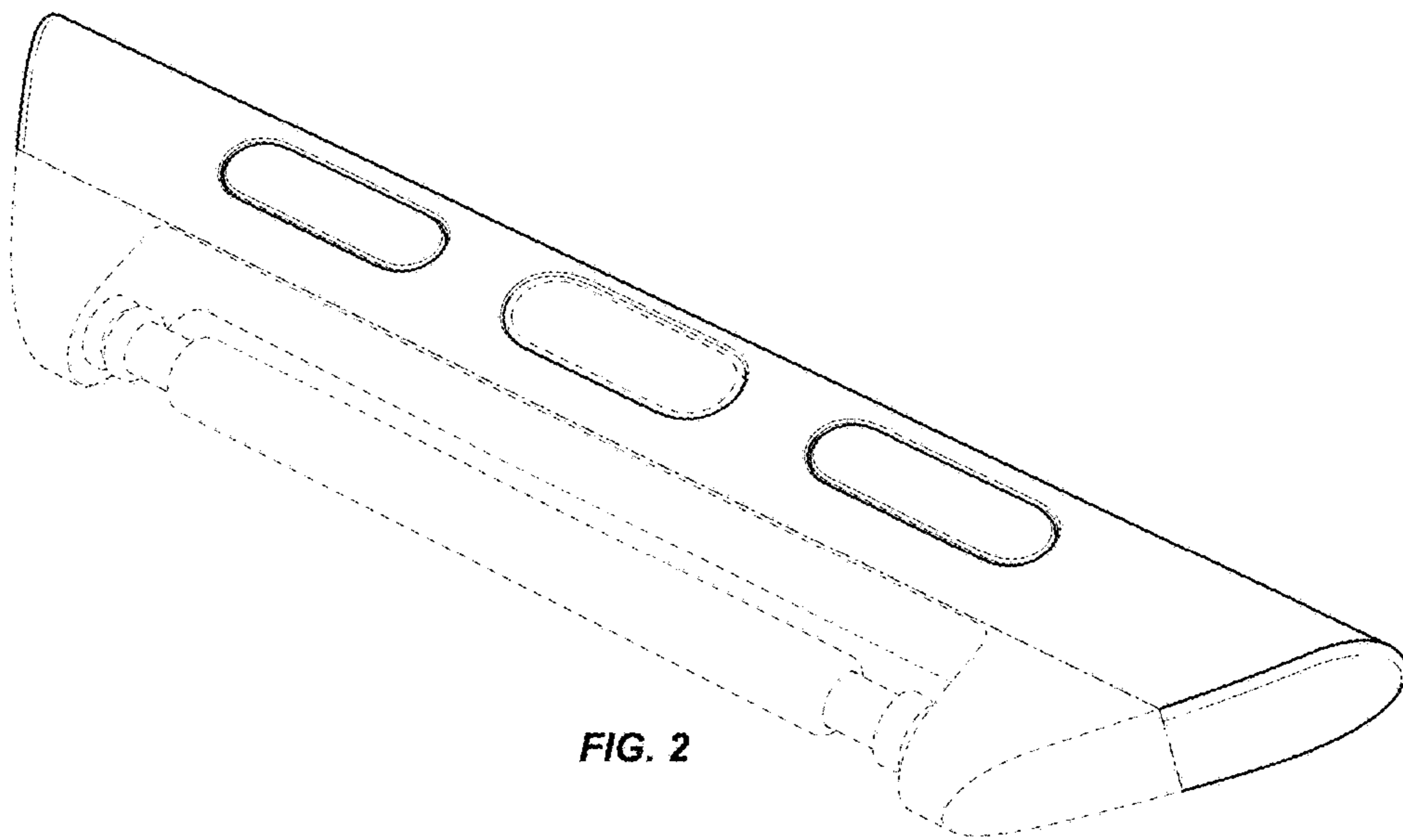


FIG. 2

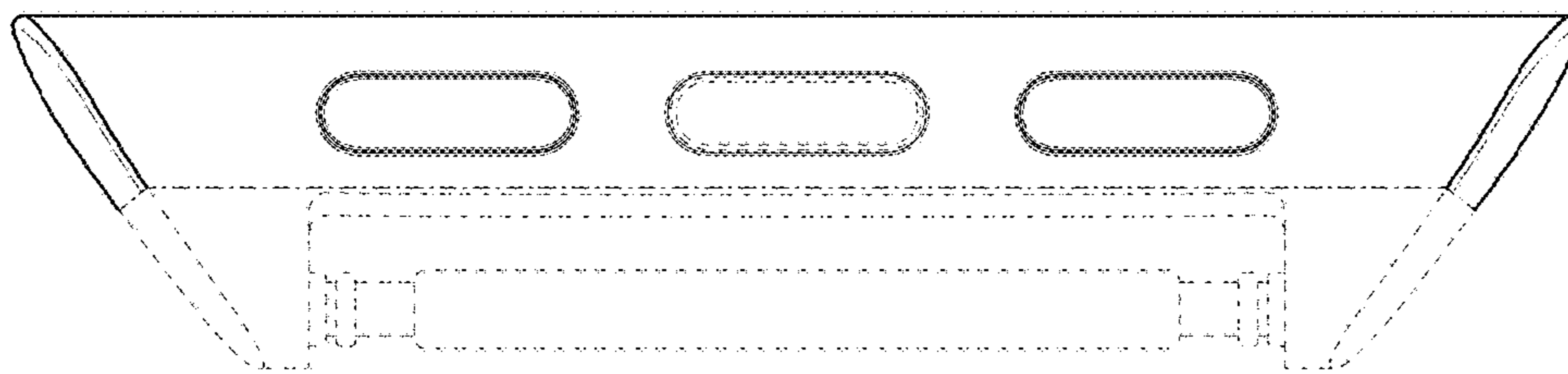


FIG. 3

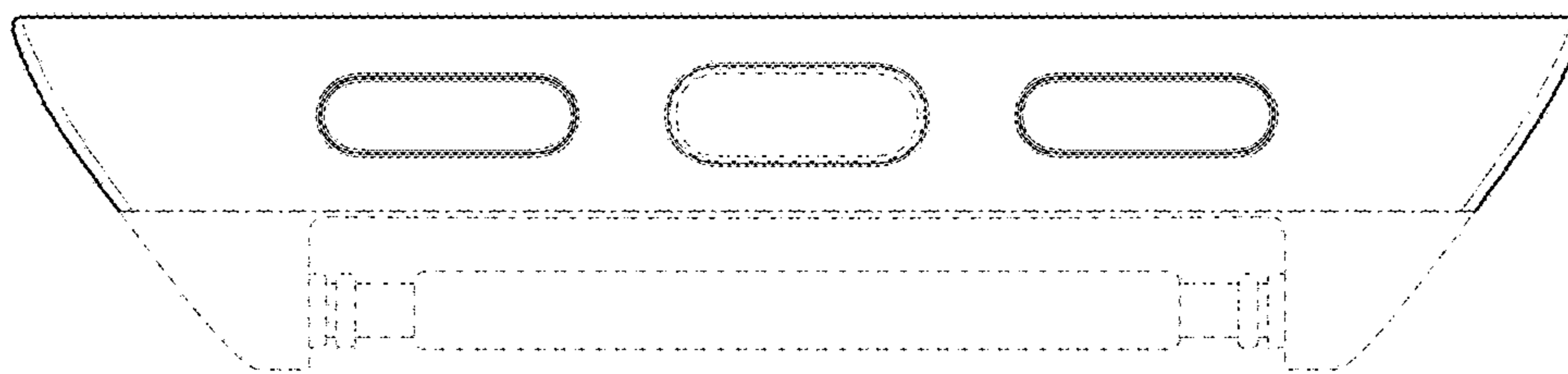


FIG. 4

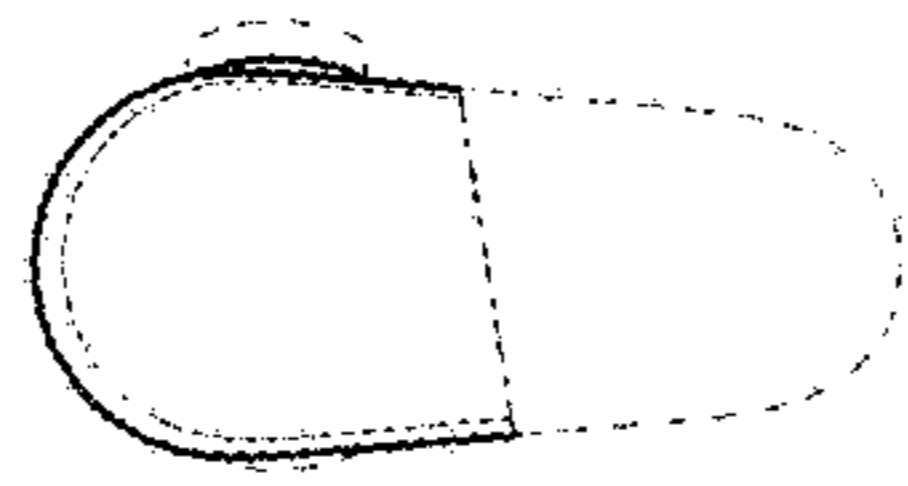


FIG. 5

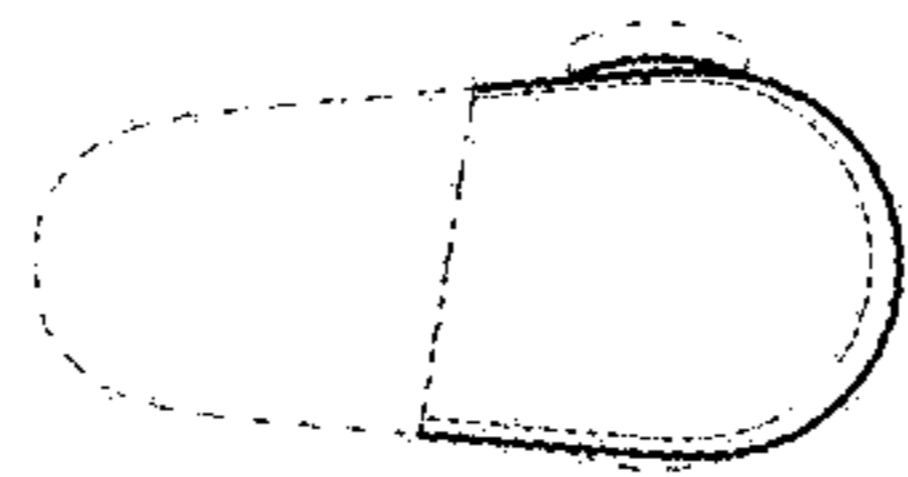


FIG. 6

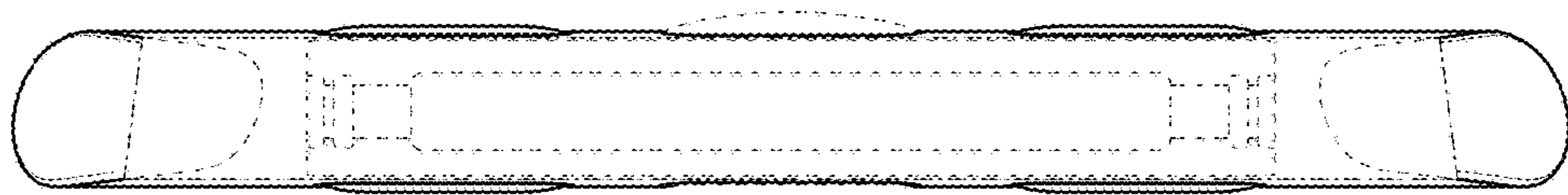


FIG. 7

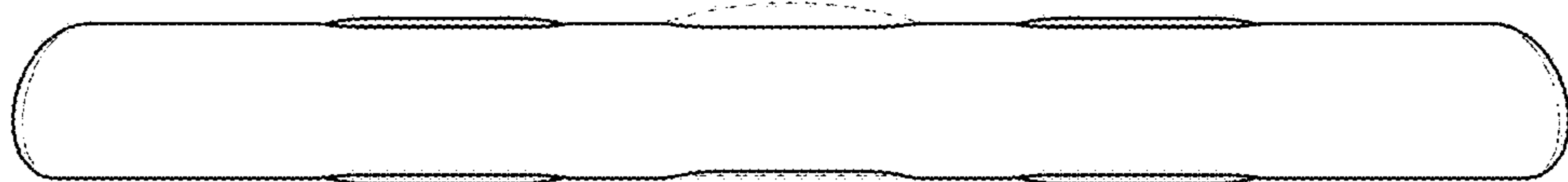


FIG. 8