



US00D857543S

(12) **United States Design Patent** (10) **Patent No.:** **US D857,543 S**
Sirichai (45) **Date of Patent:** **** Aug. 27, 2019**

(54) **WRISTBAND FOR AN ELECTRONIC DEVICE**
(71) Applicant: **Saharut Sirichai**, Bangkok (TH)
(72) Inventor: **Saharut Sirichai**, Bangkok (TH)
(73) Assignee: **World Richman Manufacturing Corporation**, Elgin, IL (US)
(**) Term: **15 Years**
(21) Appl. No.: **29/610,642**
(22) Filed: **Jul. 13, 2017**
(51) **LOC (12) Cl.** **11-01**
(52) **U.S. Cl.**
USPC **D11/3**
(58) **Field of Classification Search**
USPC D10/31, 32, 38, 39; D11/3-6, 17-25;
D14/344

(Continued)

(56) **References Cited**
U.S. PATENT DOCUMENTS
D333,626 S * 3/1993 Chang D10/32
D737,158 S * 8/2015 Akana D10/32
(Continued)

FOREIGN PATENT DOCUMENTS
CA 179059 * 1/2019
OTHER PUBLICATIONS
China_New_Arrival_2-Piece_Magnetic_Mesh_Watch_Straps (available online) Retrieved from the internet May 10, 2019 from URL: <https://erhongproducts.en.made-in-china.com/product/hCgJiOsbSzcN/China-New-Arrival-2-Piece-Magnetic-Mesh-Watch-Straps-Wholesale.html>.*

(Continued)

Primary Examiner — Kevin K Rudzinski
Assistant Examiner — Richard Kearney
(74) *Attorney, Agent, or Firm* — Christopher J. Scott

(57) **CLAIM**
The ornamental design for a wristband for an electronic device, as shown and described.

DESCRIPTION

FIG. 1 is a plan view of a first side of a long segment of the wristband for an electronic device.
FIG. 2 is a plan view of a first side of a short segment of the wristband for an electronic device.
FIG. 3 is a plan view of a second side of the short segment of the wristband for an electronic device.
FIG. 4 is a plan view of a second side of the long segment of the wristband for an electronic device.
FIG. 5 is a first end view of the long segment of the wristband for an electronic device.
FIG. 6 is a first end view of the short segment of the wristband for an electronic device.
FIG. 7 is a second end view of the long segment of the wristband for an electronic device.
FIG. 8 is a second end view of the short segment of the wristband for an electronic device.
FIG. 9 is a first edge view of the long segment of the wristband for an electronic device.
FIG. 10 is a first edge view of the short segment of the wristband for an electronic device.
FIG. 11 is a second edge view of the short segment of the wristband for an electronic device.
FIG. 12 is a second edge view of the long segment of the wristband for an electronic device.
FIG. 13 is a perspective view of the second side of the long segment of the wristband for an electronic device.
FIG. 14 is a perspective view of the second side of the short segment of the wristband for an electronic device.
FIG. 15 is a first side perspective view of the long segment coupled to the short segment of the wristband for an electronic device.
FIG. 16 is a perspective view of the first side of the long segment of the wristband for an electronic device.
FIG. 17 is a perspective view of the first side of the short segment of the wristband for an electronic device.
FIG. 18 is a second side perspective view of the long segment coupled to the short segment of the wristband for an electronic device.

(Continued)

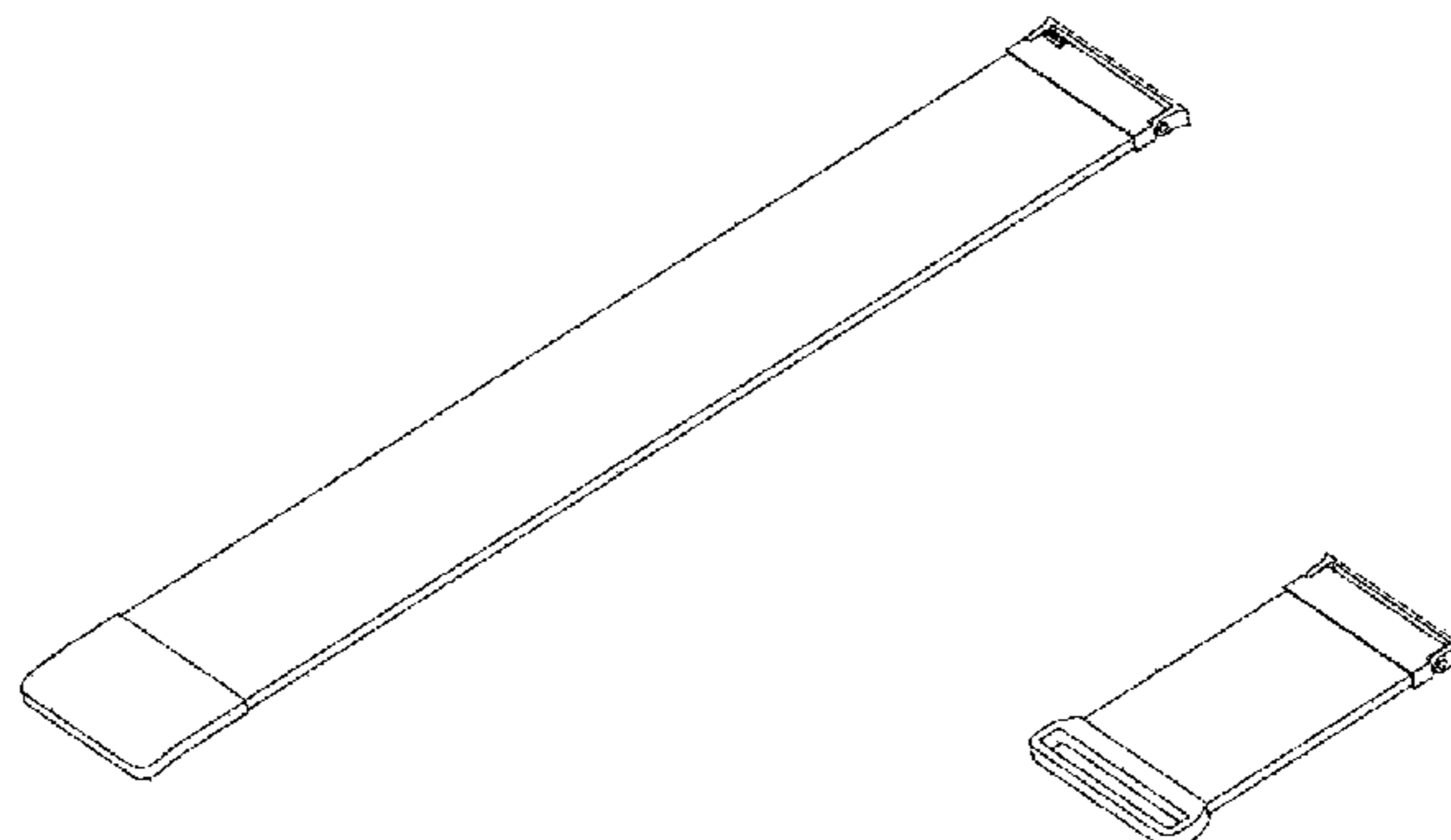


FIG. 19 is a first side plan view of the long segment coupled to the short segment of the wristband for an electronic device.

FIG. 20 is a second side plan view of the long segment coupled to the short segment of the wristband for an electronic device.

FIG. 21 is a first edge view of the long segment coupled to the short segment of the wristband for an electronic device.

FIG. 22 is a first end view of the long segment coupled to the short segment of the wristband for an electronic device.

FIG. 23 is a second end view of the long segment coupled to the short segment of the wristband for an electronic device; and,

FIG. 24 is a second edge view of the long segment coupled to the short segment of the wristband for an electronic device.

The broken lines shown in the drawings illustrate portions of the wristband for an electronic device that form no part of the design.

1 Claim, 7 Drawing Sheets

(58) **Field of Classification Search**

CPC A44C 5/12; A44C 5/14; A44C 5/16; A44C 5/18; A44C 5/0053; A44C 5/0069; A44C

5/0076; A44C 5/00; A44C 5/0007; A44C 5/003; A44C 5/0061; A44C 5/142; A44C 5/147; A44C 5/185

See application file for complete search history.

(56)

References Cited

U.S. PATENT DOCUMENTS

D755,070 S * 5/2016 Akana D11/5
D756,825 S * 5/2016 Akana D10/103
D757,594 S * 5/2016 Akana D11/5
D836,478 S * 12/2018 Wright D11/3

OTHER PUBLICATIONS

Moretek_-_Fitbit_Blaze_Bands_Stainless_Steel_Milanese_Magnetic (available online Aug. 7, 2017) Retrieved from the internet May 10, 2019 from URL: https://www.walmart.com/search/?cat_id=0&page=2&ps=48&query=Fitbit+Blaze+Bands%2C+#searchProductResult.*

* cited by examiner

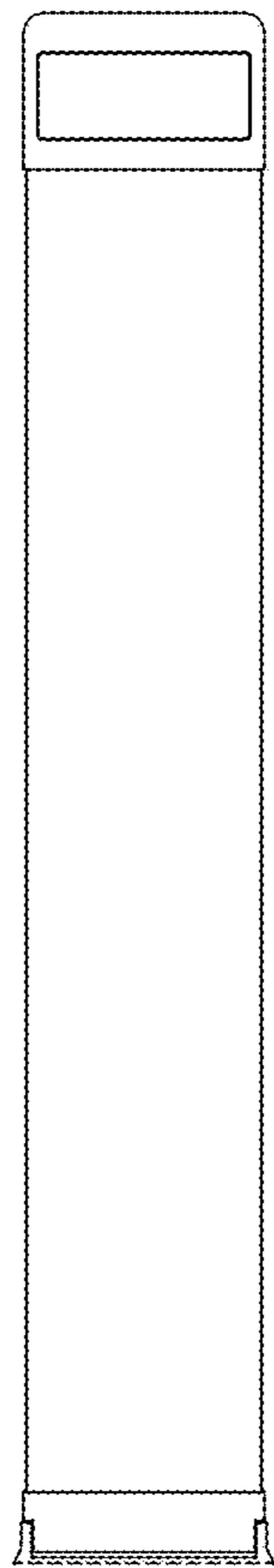


FIG. 1

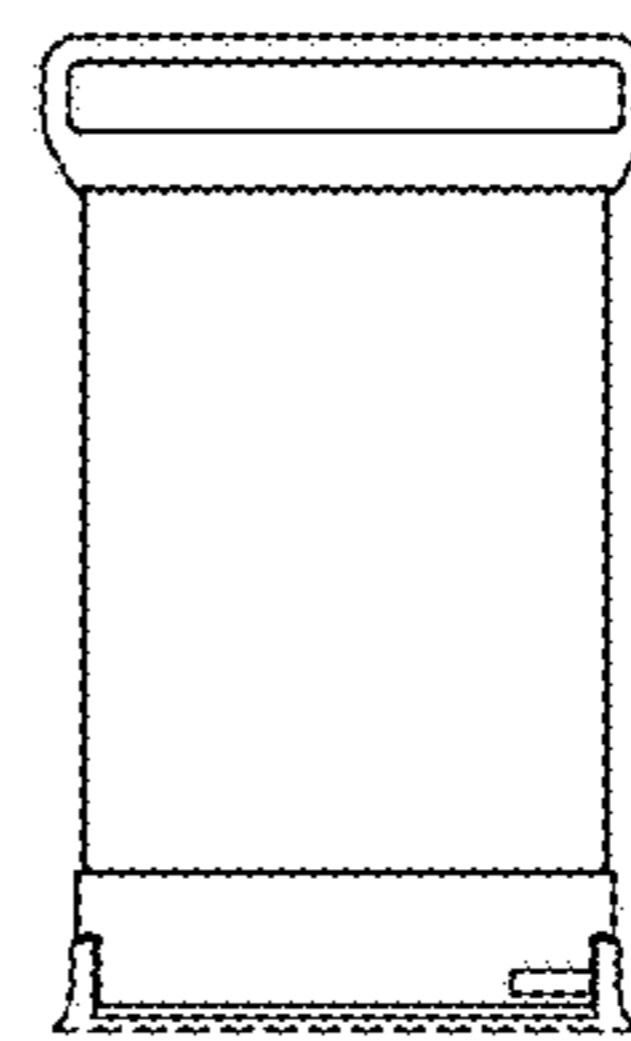


FIG. 2

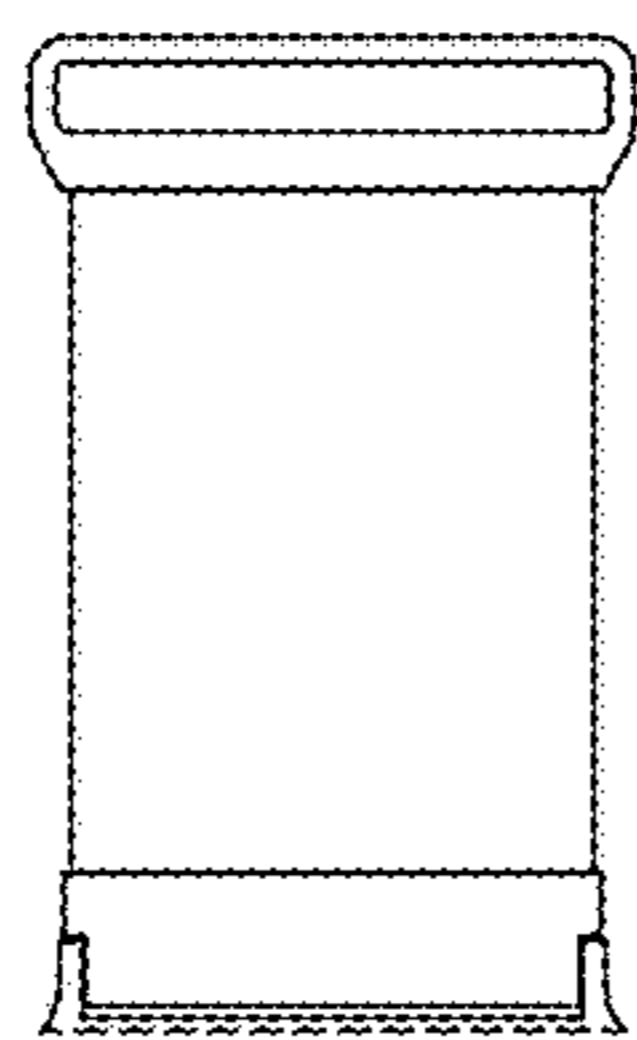


FIG.3

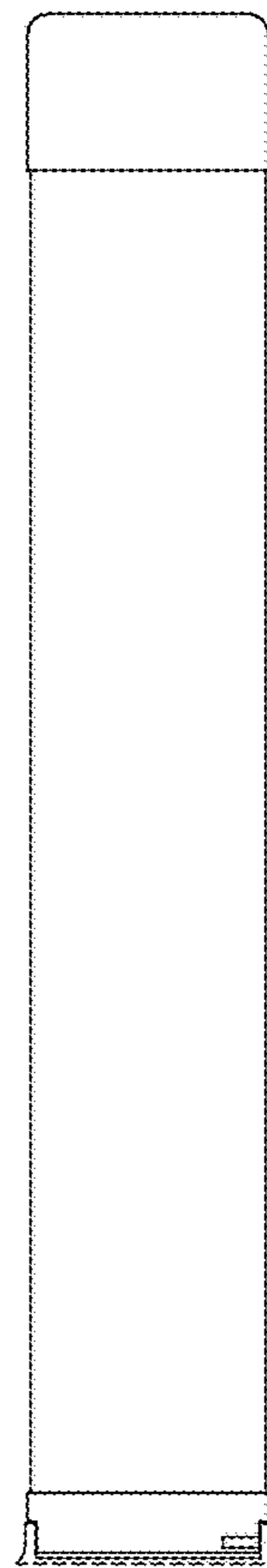


FIG.4

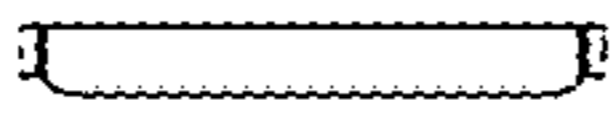


FIG. 5

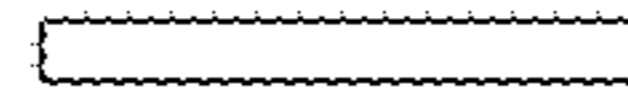


FIG. 6

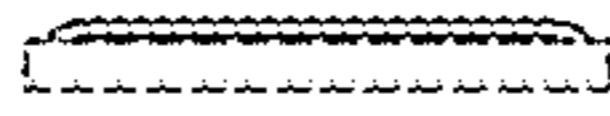


FIG. 7

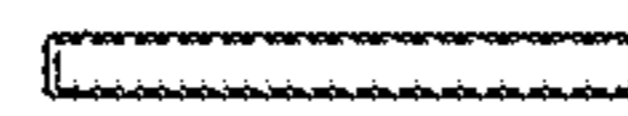


FIG. 8

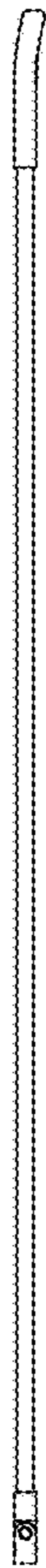


FIG. 9

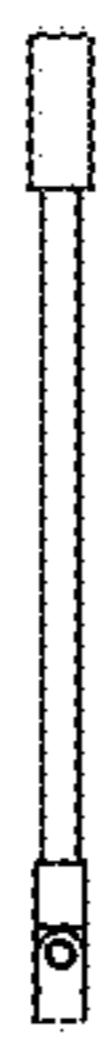


FIG. 10

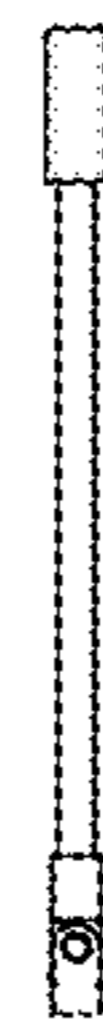


FIG. 11

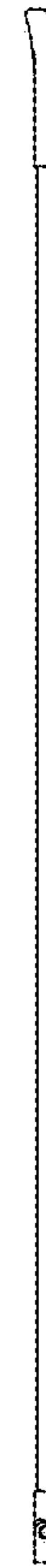


FIG. 12

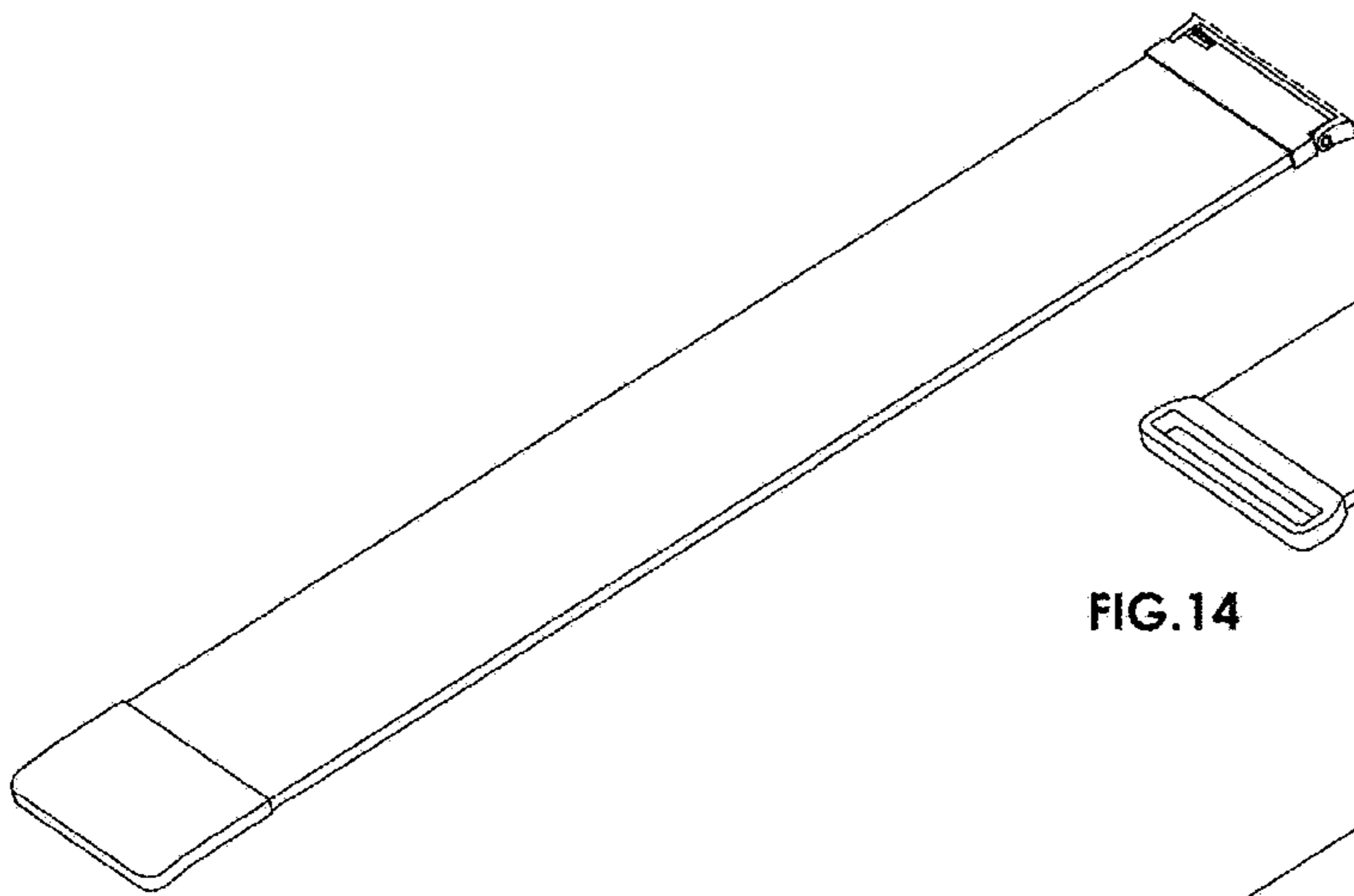


FIG.13

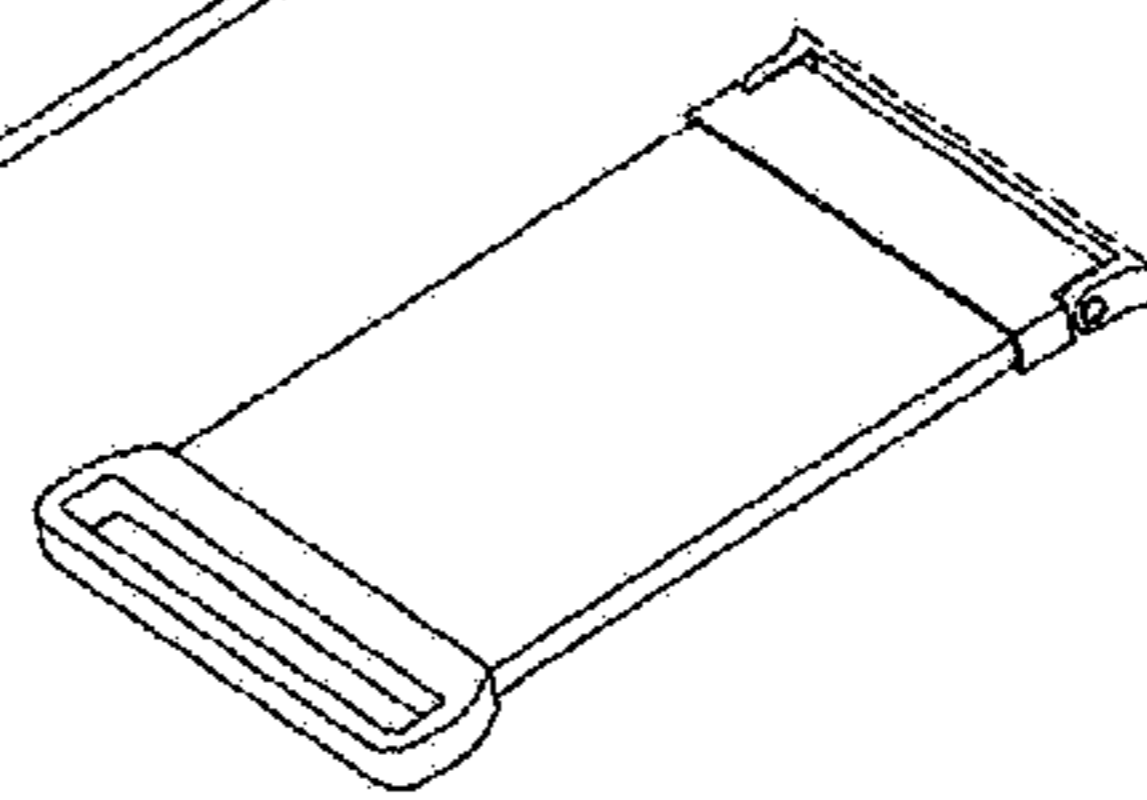


FIG.14

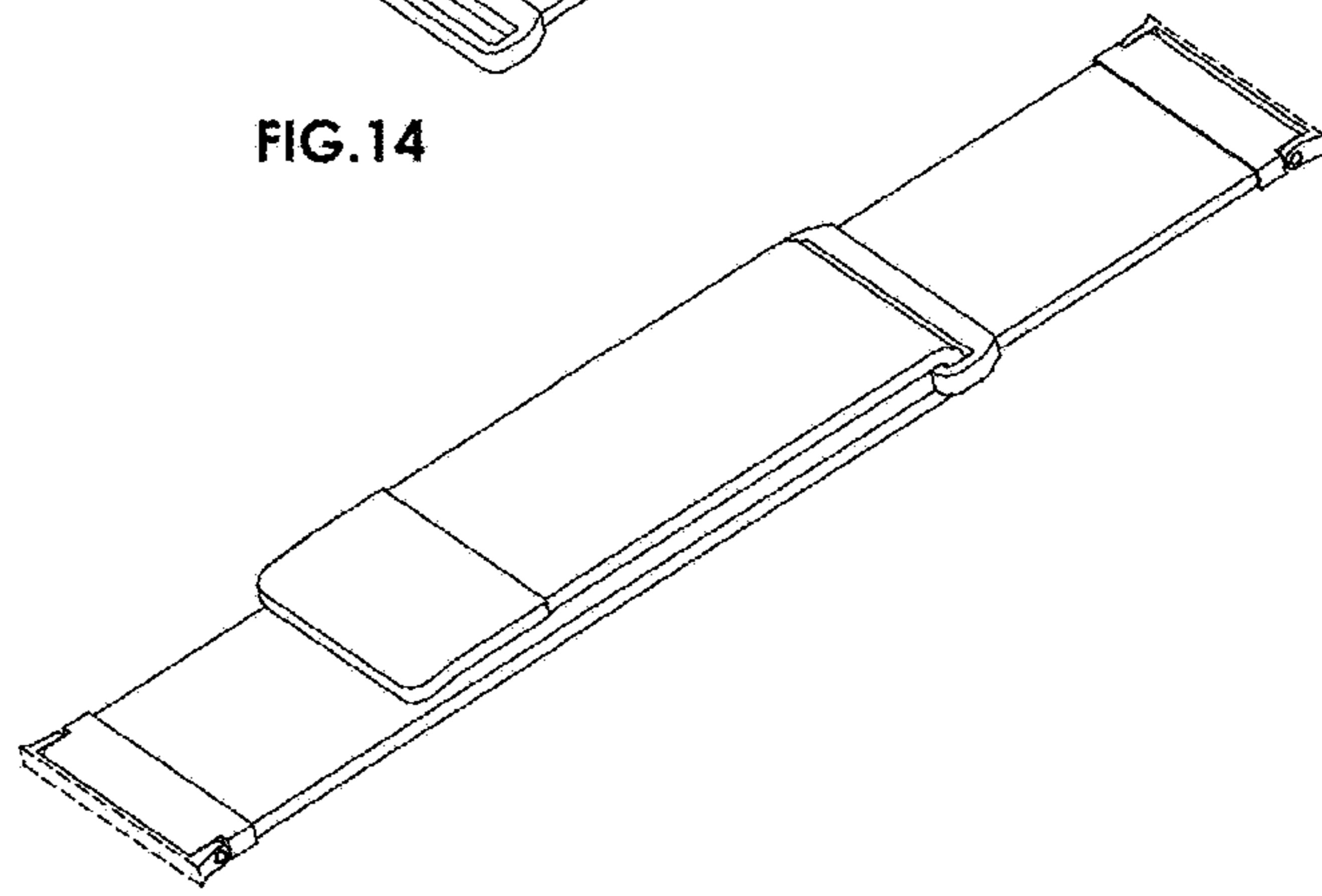


FIG.15

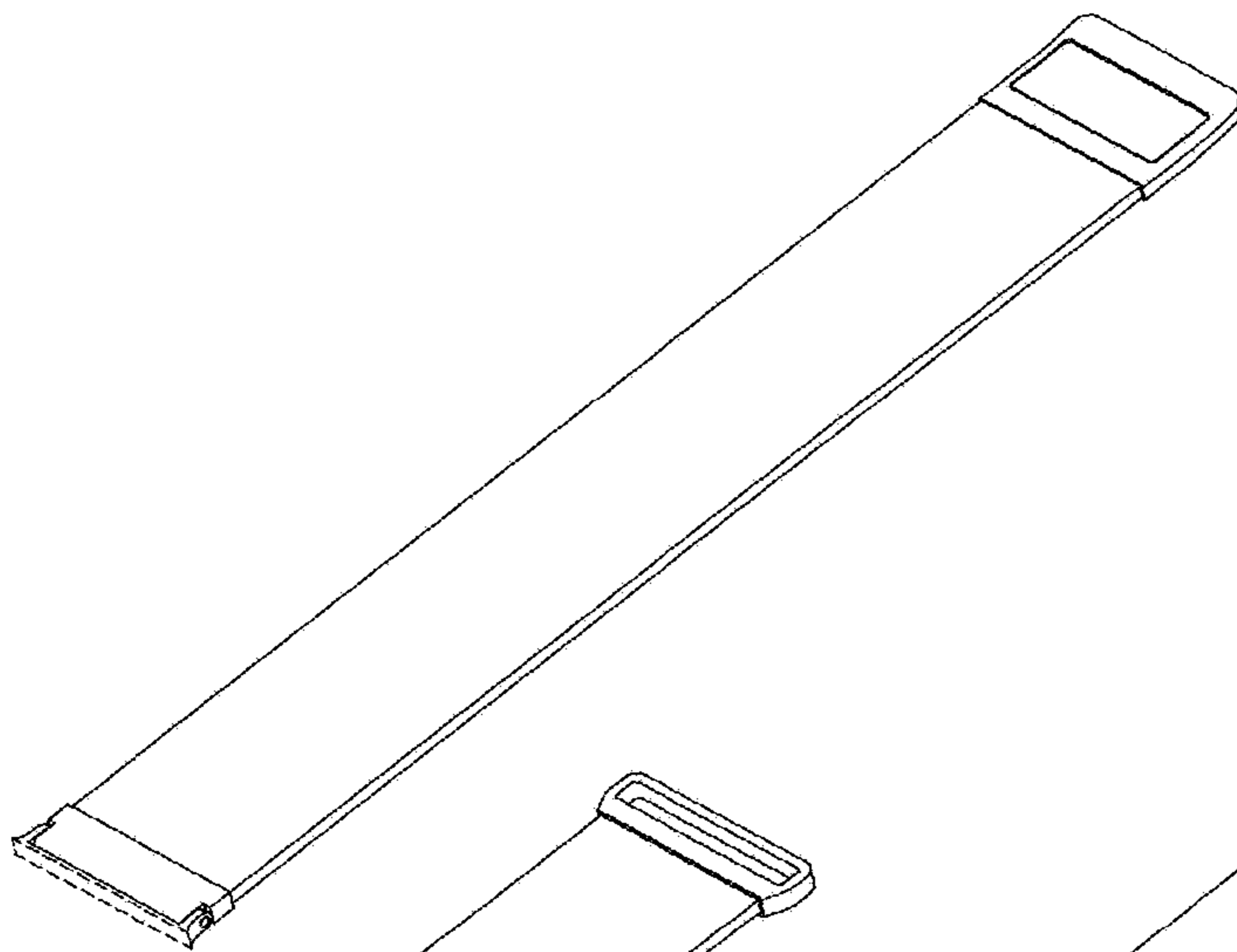


FIG.16

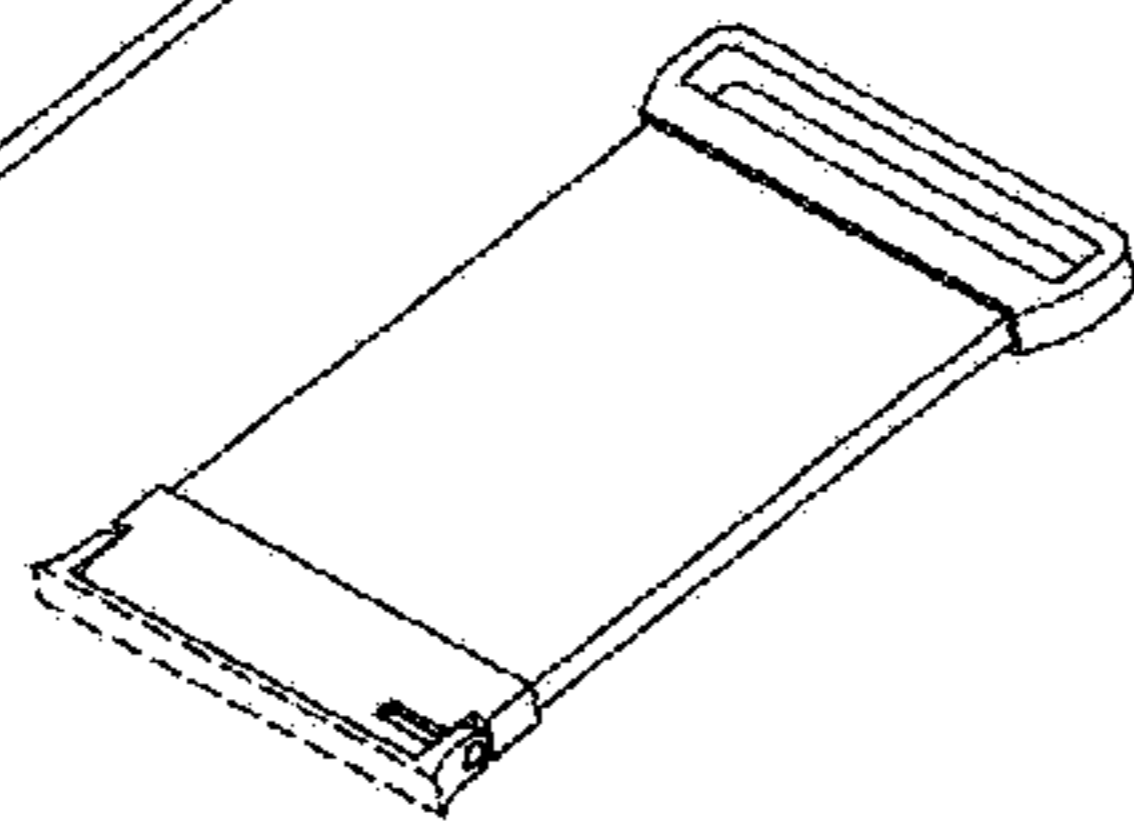


FIG.17

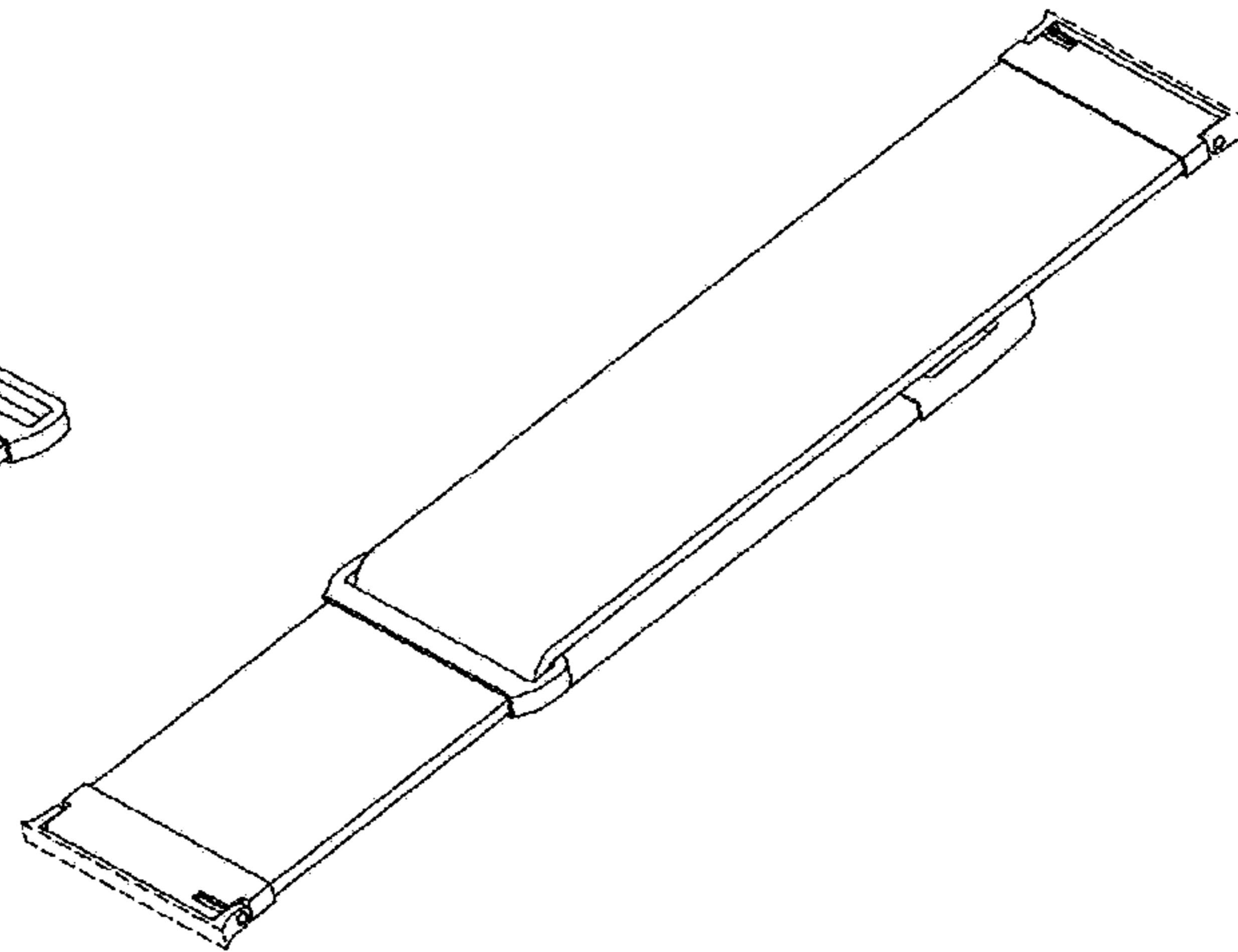


FIG.18

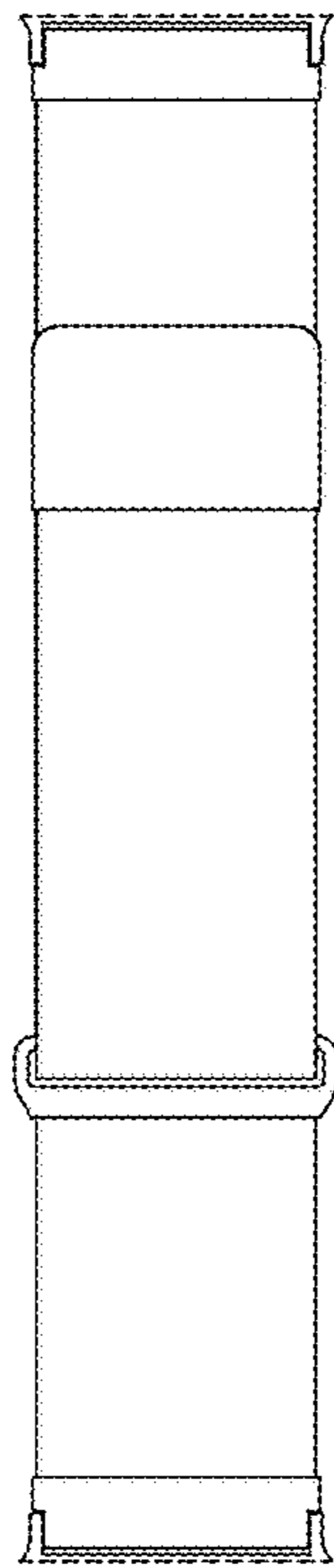


FIG.19

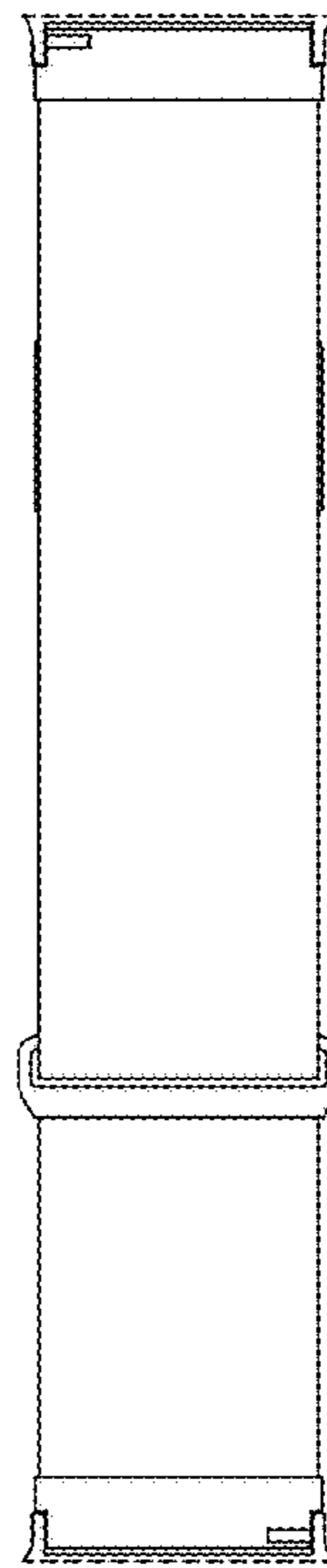


FIG.20

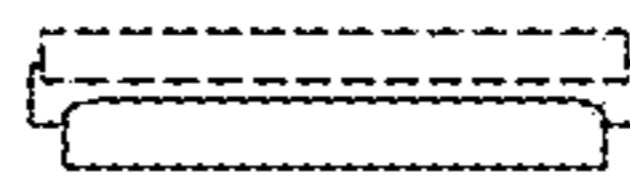


FIG. 22

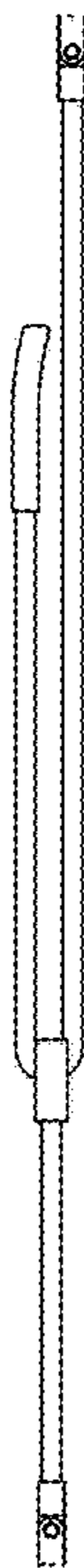


FIG. 21

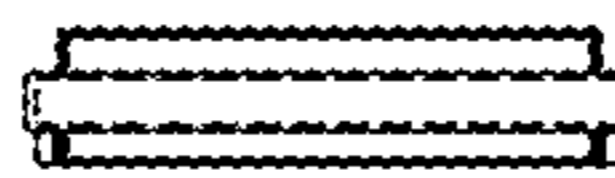


FIG. 23

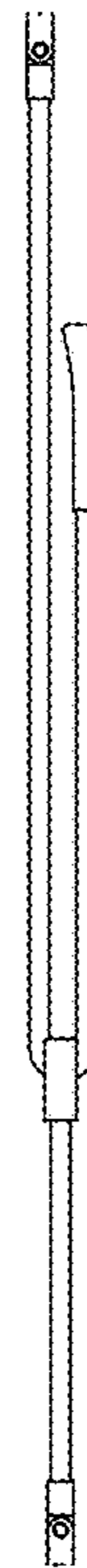


FIG. 24