



US00D857542S

(12) **United States Design Patent** (10) **Patent No.:** **US D857,542 S**
Sun (45) **Date of Patent:** **** Aug. 27, 2019**

(54) **METAL PROTECTIVE SCREEN BUMPER CASE WITH MAGNETIC WATCH STRAP**

D784,831 S * 4/2017 Akana D10/38
D786,879 S * 5/2017 Kim D14/440
2015/0164189 A1* 6/2015 Wilson A44C 5/14
224/164

(71) Applicant: **Chuzhong Sun**, Guangdong (CN)

(72) Inventor: **Chuzhong Sun**, Guangdong (CN)

(**) Term: **15 Years**

(21) Appl. No.: **29/609,709**

(22) Filed: **Jul. 4, 2017**

(51) **LOC (12) Cl.** **11-01**

(52) **U.S. Cl.**
USPC **D11/3**

(58) **Field of Classification Search**
USPC D10/31, 32, 38, 39, 46, 70; D11/1–25,
D11/86, 87; D14/344
CPC A44C 5/12; A44C 5/14; A44C 5/18; A44C
5/0053; A44C 5/0069; A44C 5/0076;
A44C 5/00; A44C 5/0007; A44C 5/0015;
A44C 5/0023; A44C 5/003; A44C
5/0061; A44C 5/147; A44C 5/185; A44C
5/2047; A44C 5/2052; G04B 37/00;
G04B 37/1486; A44B 11/006; A44B
11/24

See application file for complete search history.

(56) **References Cited**

U.S. PATENT DOCUMENTS

1,962,037 A * 6/1934 Schofer A44C 5/102
59/80
2,434,383 A * 1/1948 Allen A44C 5/0061
269/52
D161,189 S * 12/1950 Knibb D11/20
D343,584 S * 1/1994 Olmes D10/32
D737,158 S * 8/2015 Akana D10/32
D746,707 S * 1/2016 Akana D10/39
D749,009 S * 2/2016 Akana D11/94
D752,044 S * 3/2016 Akana D14/344

OTHER PUBLICATIONS

Tineye reference (available online Aug. 15, 2017) Retrieved from the internet Apr. 4, 2019 from URL: https://www.tineye.com/search/21373c82fed3568a73f3c6c568cef114243beae8/?sort=crawl_date&order=asc.*

BMBEAR Compatible with Watch Band (available online Retrieved from the internet Apr. 4, 2019 from URL: <https://www.amazon.com/BMBEAR-Compatible-Stainless-Protective-Replacement/dp/B0783B7W6G>.*

Tineye Magnetic Band (available online Jun. 24, 2017) Retrieved from the internet May 15, 2019 from URL: <https://www.tineye.com/search/d8139d26d5be74703bfc6478c788cee65a79632a?page=1>.*

* cited by examiner

Primary Examiner — Kevin K Rudzinski

Assistant Examiner — Richard Kearney

(74) *Attorney, Agent, or Firm* — Justin Lampel

(57) **CLAIM**

The ornamental design for a metal protective screen bumper case with magnetic watch strap, as shown and described.

DESCRIPTION

FIG. 1 is a perspective view of a metal protective screen bumper case with magnetic watch strap showing my new design;

FIG. 2 is a front elevational view thereof;

FIG. 3 is a rear elevational view thereof;

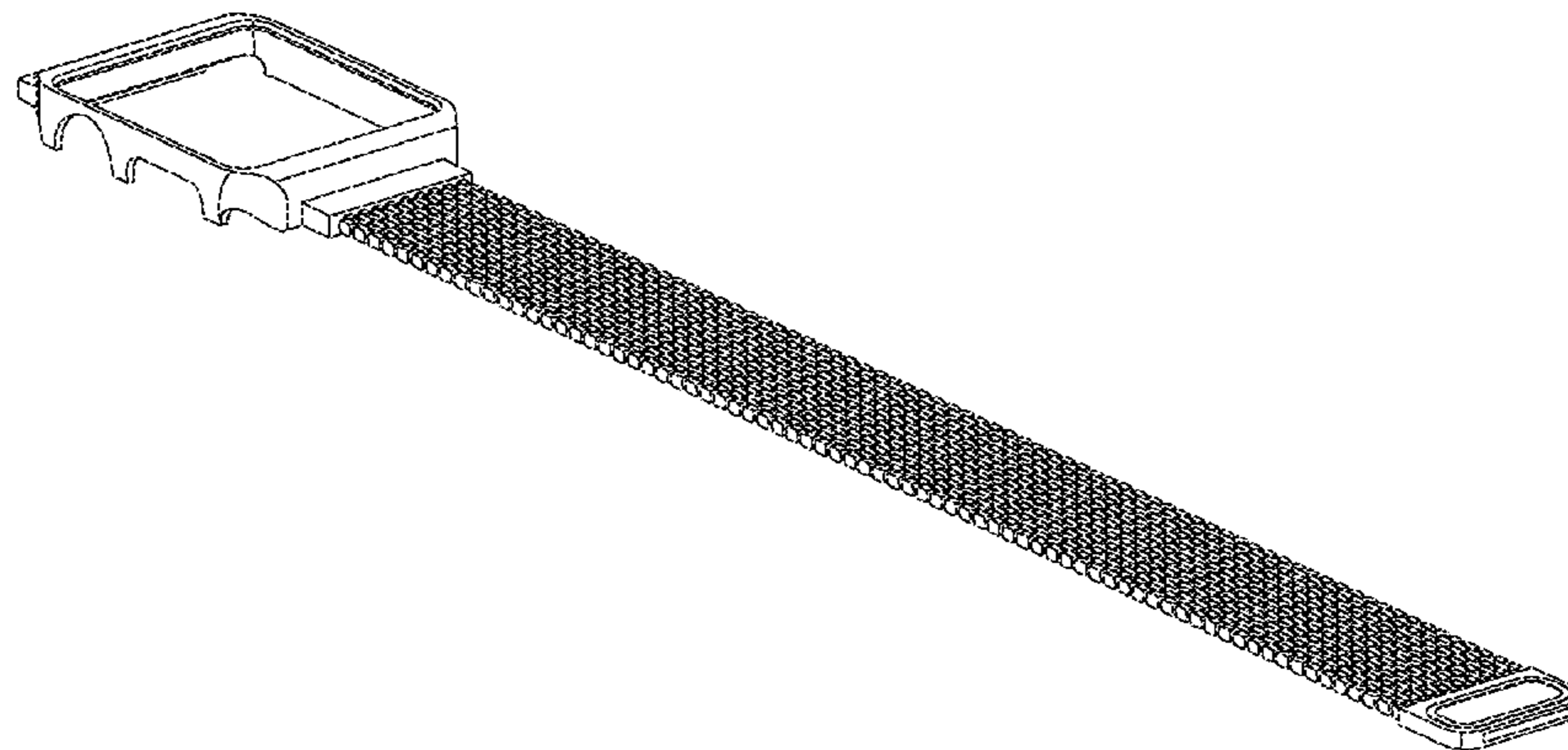
FIG. 4 is a right side view thereof;

FIG. 5 is a left side view thereof;

FIG. 6 is a bottom plan view thereof; and,

FIG. 7 is a top plan view thereof.

1 Claim, 3 Drawing Sheets



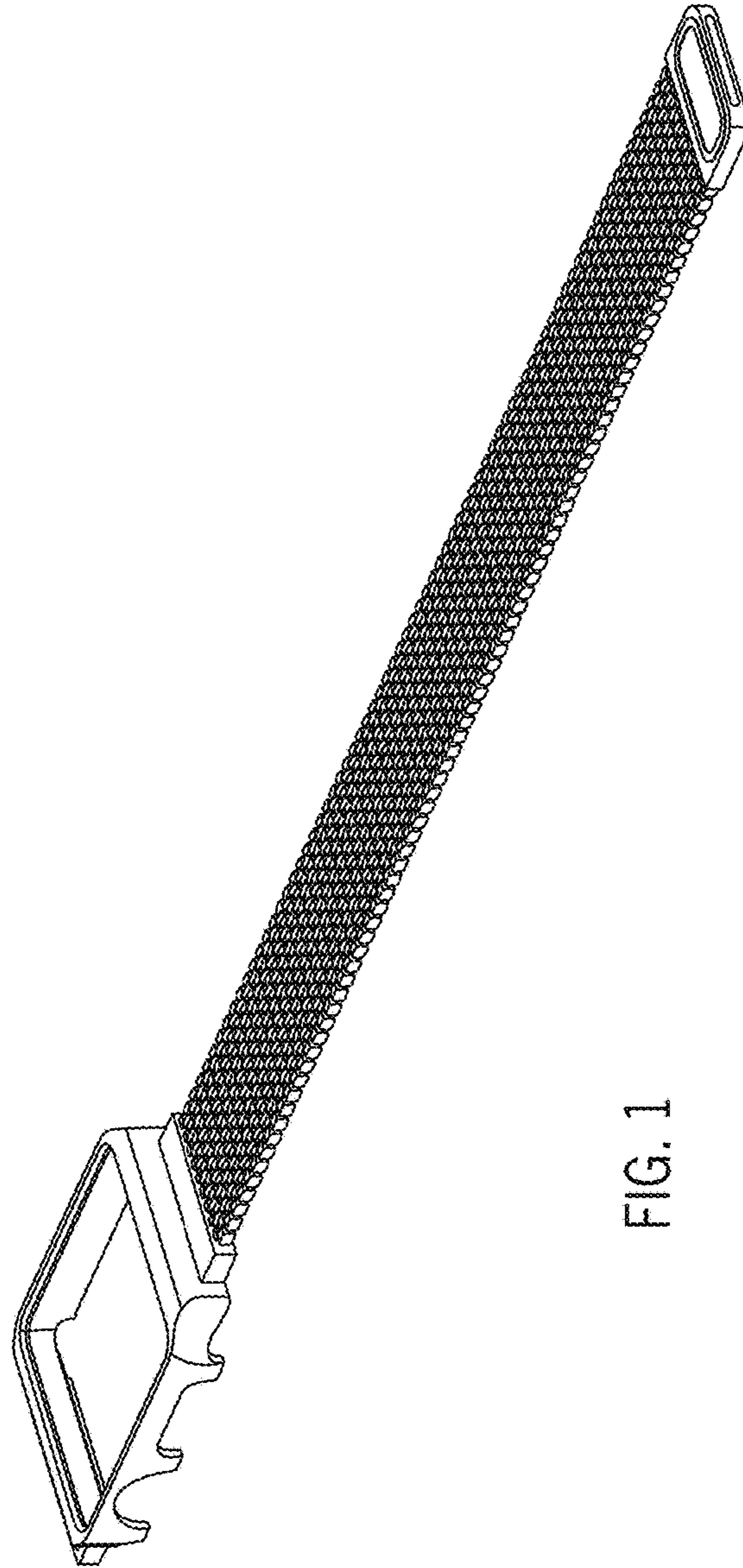


FIG. 1



FIG. 2



FIG. 3



FIG. 4



FIG. 5

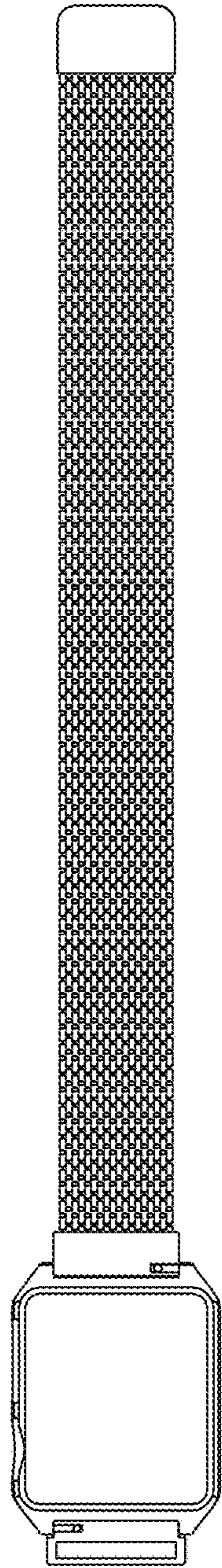


FIG. 6

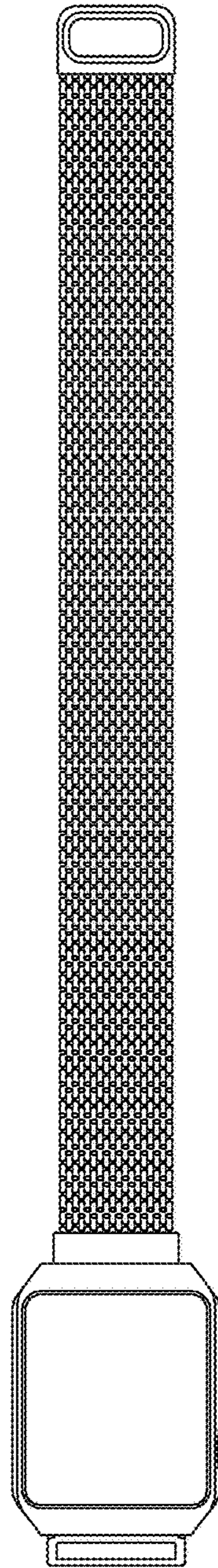


FIG. 7