



US00D857541S

(12) **United States Design Patent** (10) **Patent No.:** **US D857,541 S**  
**Young** (45) **Date of Patent:** **\*\* Aug. 27, 2019**

(54) **SECURITY ALARM**

(71) Applicant: **Venner Medical Technologies SA**, St. Helier, Jersey (JE)

(72) Inventor: **Peter Jeffrey Young**, King's Lynn (GB)

(73) Assignee: **Venner Medical Technologies SA** (JE)

(\*\*) Term: **15 Years**

(21) Appl. No.: **29/594,989**

(22) Filed: **Feb. 24, 2017**

(51) **LOC (12) Cl.** ..... **10-05**

(52) **U.S. Cl.**  
USPC ..... **D10/106.6**

(58) **Field of Classification Search**  
USPC ..... D10/70, 97, 103, 104.1, 104.2,  
D10/106.1-106.95, 108, 123, 124, 125,  
D10/126; D16/202, 203, 214, 215  
CPC ..... G08B 17/00; G08B 17/06; G08B 17/10;  
G08B 17/11; G08B 17/12; G08B 17/103;  
G08B 17/107; G08B 21/02; G08B  
21/0202; G08B 21/0205  
See application file for complete search history.

(56) **References Cited**

**U.S. PATENT DOCUMENTS**

D245,677 S	*	9/1977	Hackett	.....	D10/106.6
D302,952 S	*	8/1989	Soloway	.....	D10/106.6
D516,446 S	*	3/2006	Chen	.....	D10/106.1
D579,810 S	*	11/2008	Campman	.....	D10/104.1
D655,215 S	*	3/2012	Daniel	.....	D10/104.2

D680,459 S	*	4/2013	Corso	.....	D10/106.6
D713,277 S	*	9/2014	Hasegawa	.....	D10/106.6
D775,979 S	*	1/2017	Christianson	.....	D10/106.6
D805,938 S	*	12/2017	Park	.....	D10/104.1
D829,120 S	*	9/2018	Mitchell	.....	D10/104.1
D834,979 S	*	12/2018	Zhang	.....	D10/106.95

\* cited by examiner

*Primary Examiner* — George D. Kirschbaum

*Assistant Examiner* — Joseph J Kukella

(74) *Attorney, Agent, or Firm* — Morgan, Lewis & Bockius LLP

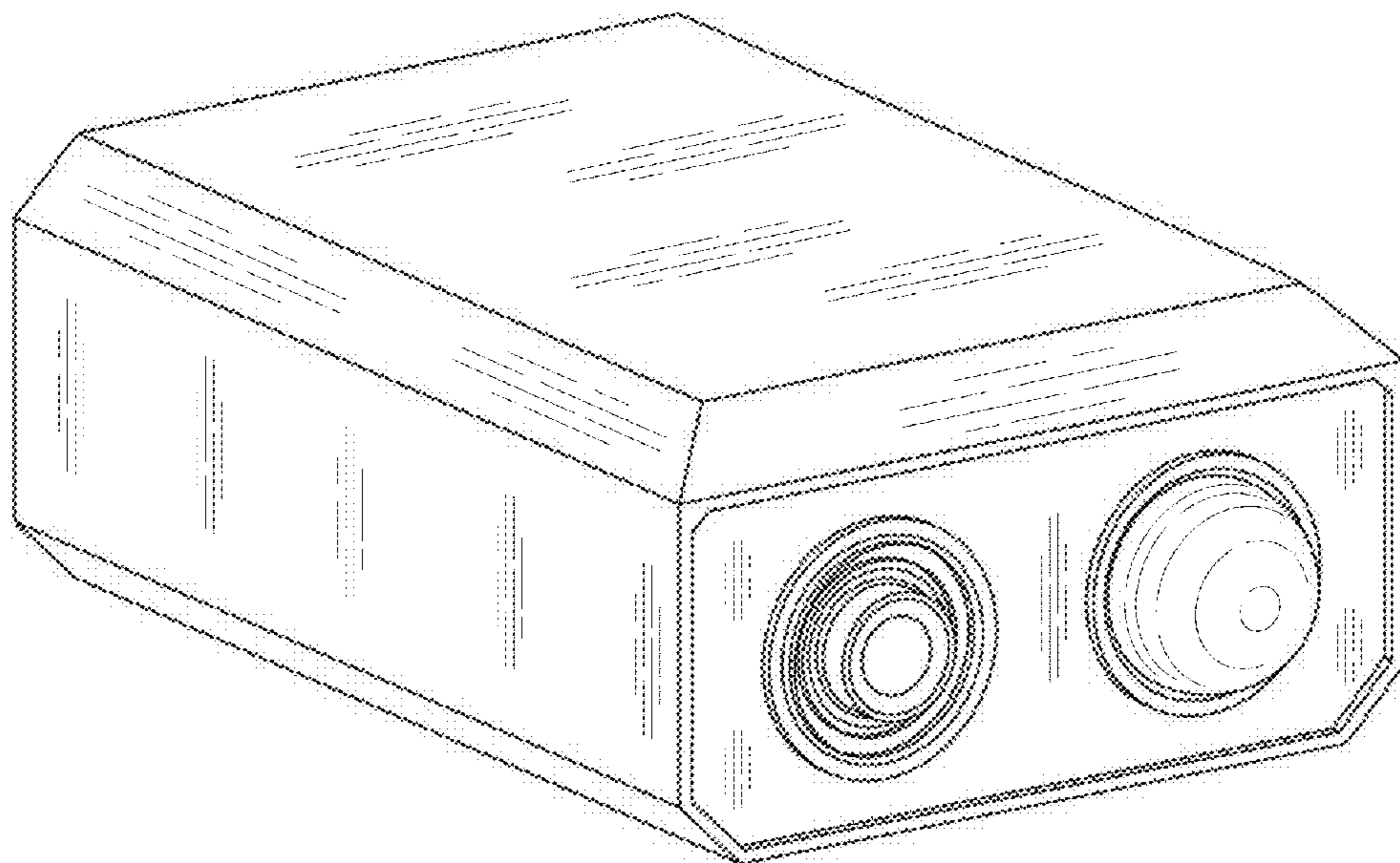
(57) **CLAIM**

The ornamental design for a security alarm, as shown and described.

**DESCRIPTION**

FIG. 1 is a front, right-side, top perspective view of a security alarm showing my new design;  
FIG. 2 is a front elevational view of the security alarm shown in FIG. 1;  
FIG. 3 is a rear elevational view of the security alarm shown in FIG. 1;  
FIG. 4 is a left-side elevational view of the security alarm shown in FIG. 1;  
FIG. 5 is a right-side elevational view of the security alarm shown in FIG. 1;  
FIG. 6 is a top plan view of the security alarm shown in FIG. 1; and,  
FIG. 7 is a bottom plan view of the security alarm shown in FIG. 1.

**1 Claim, 7 Drawing Sheets**



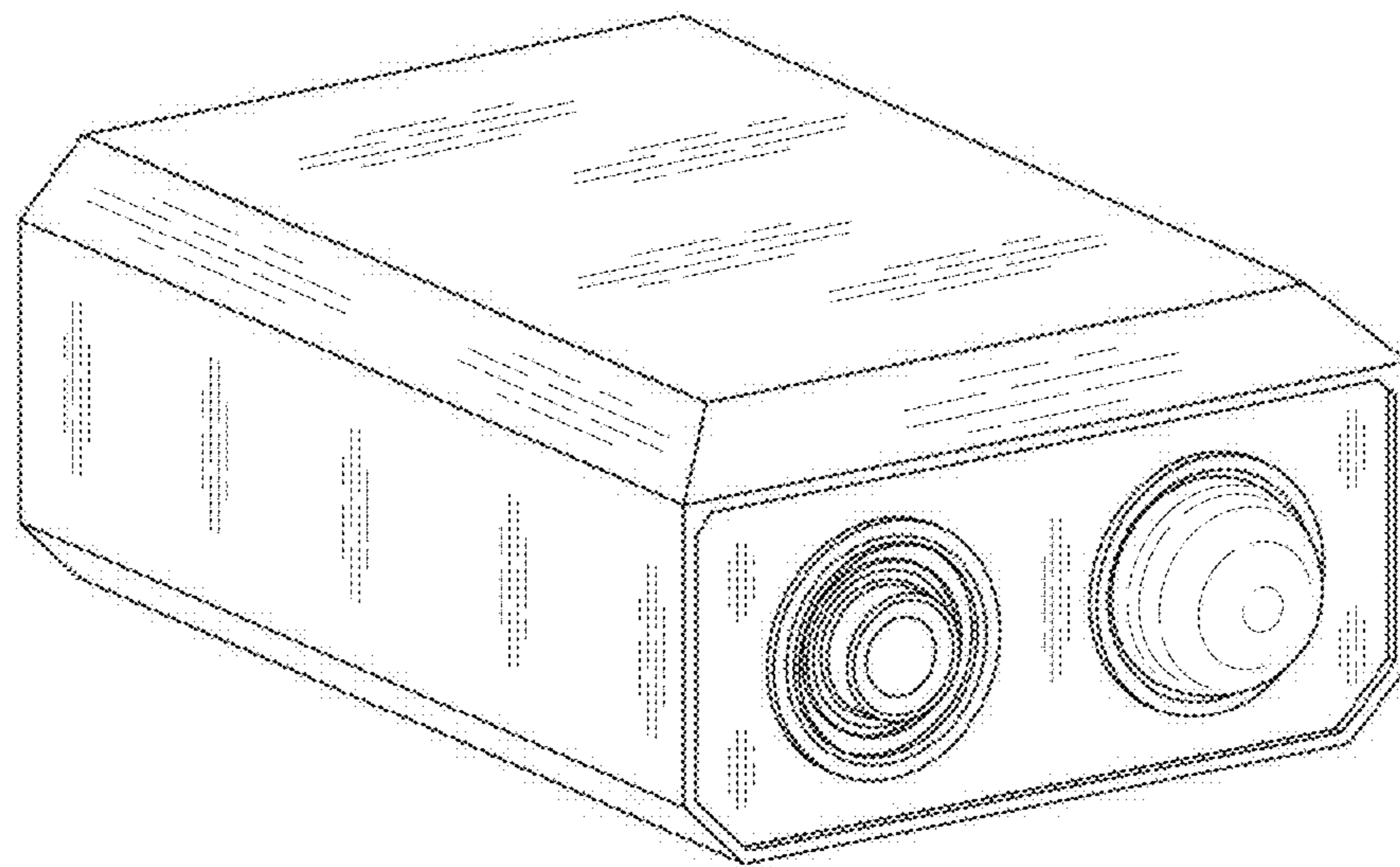


FIG. 1

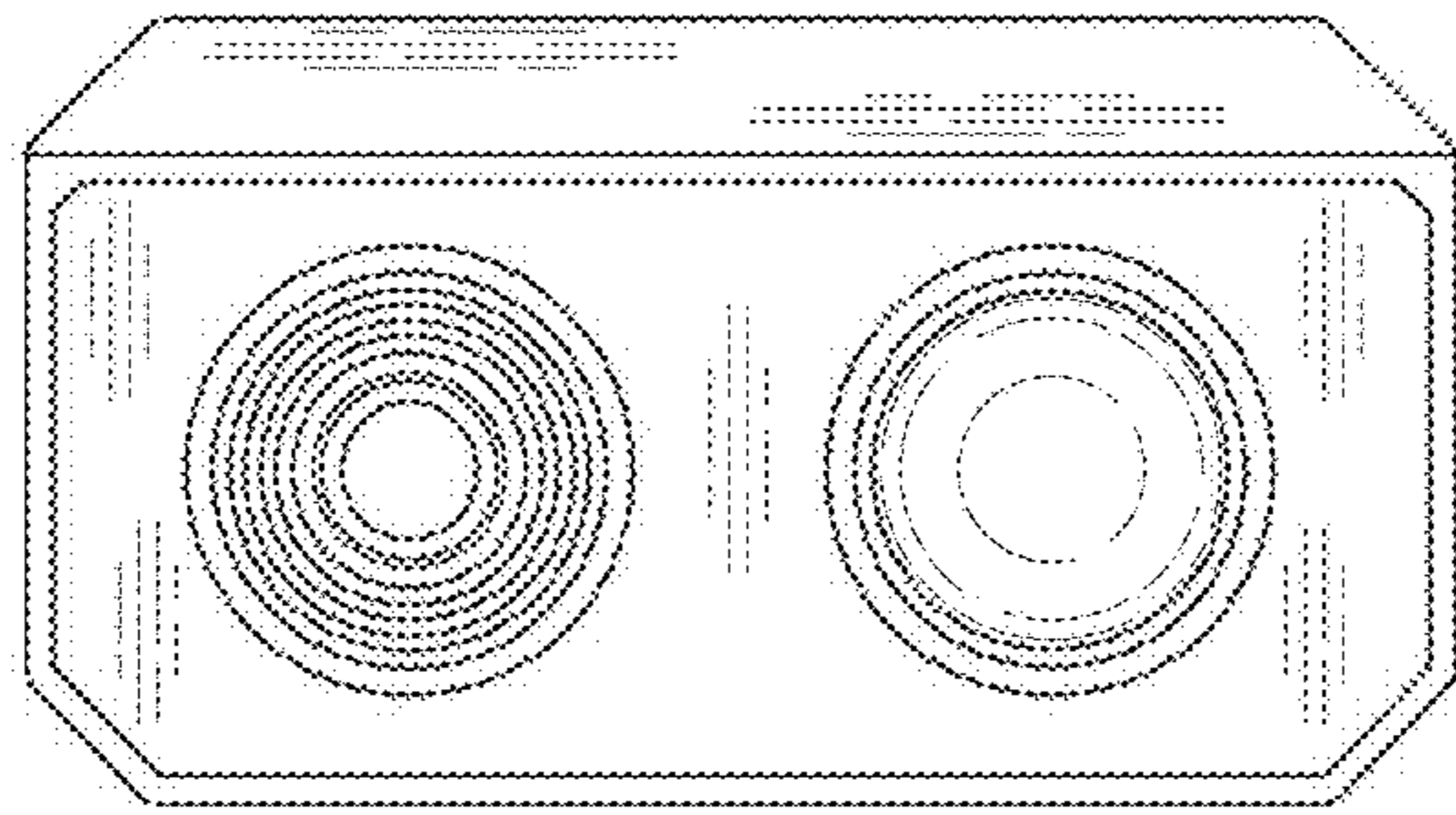


FIG. 2

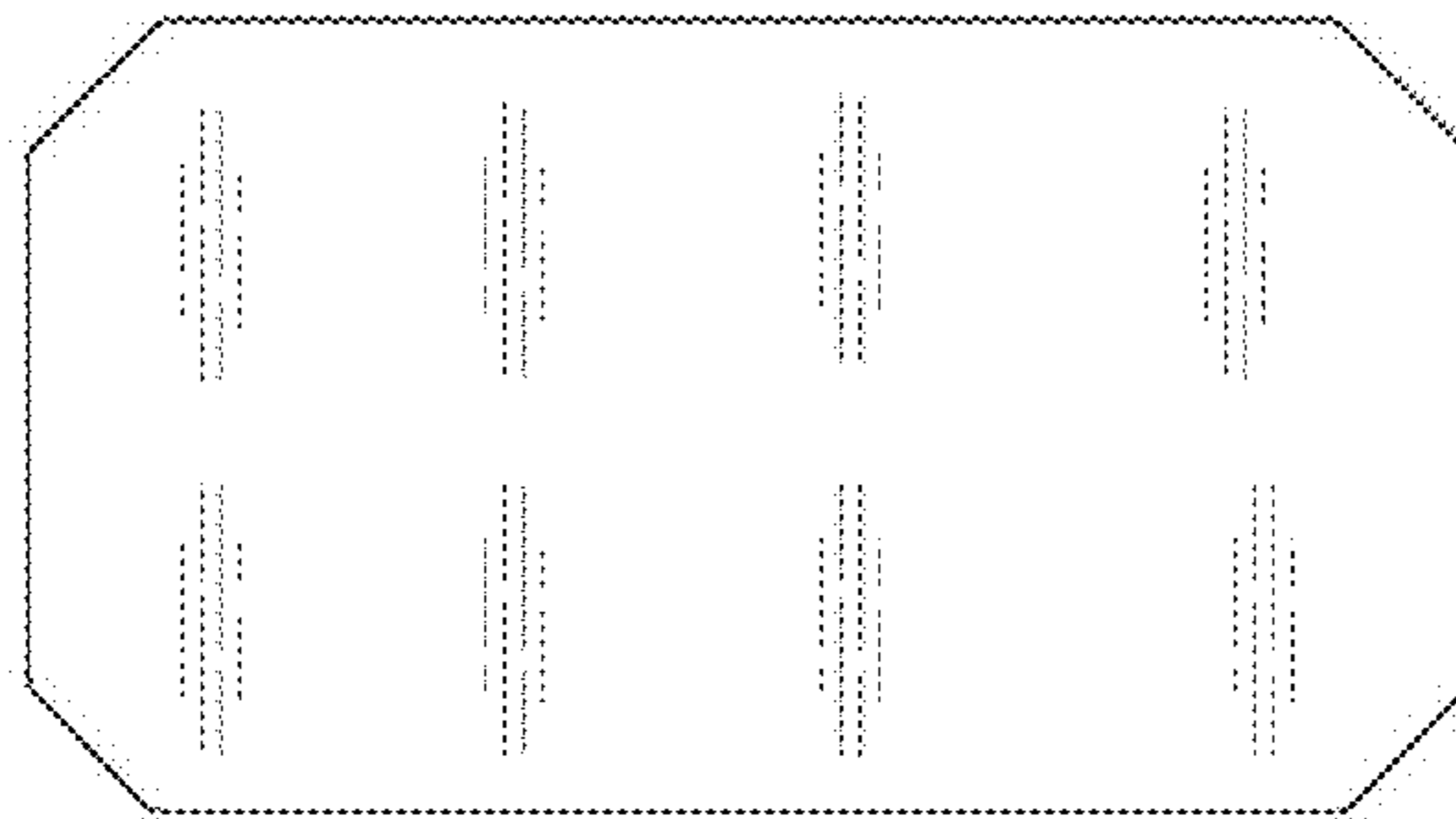


FIG. 3

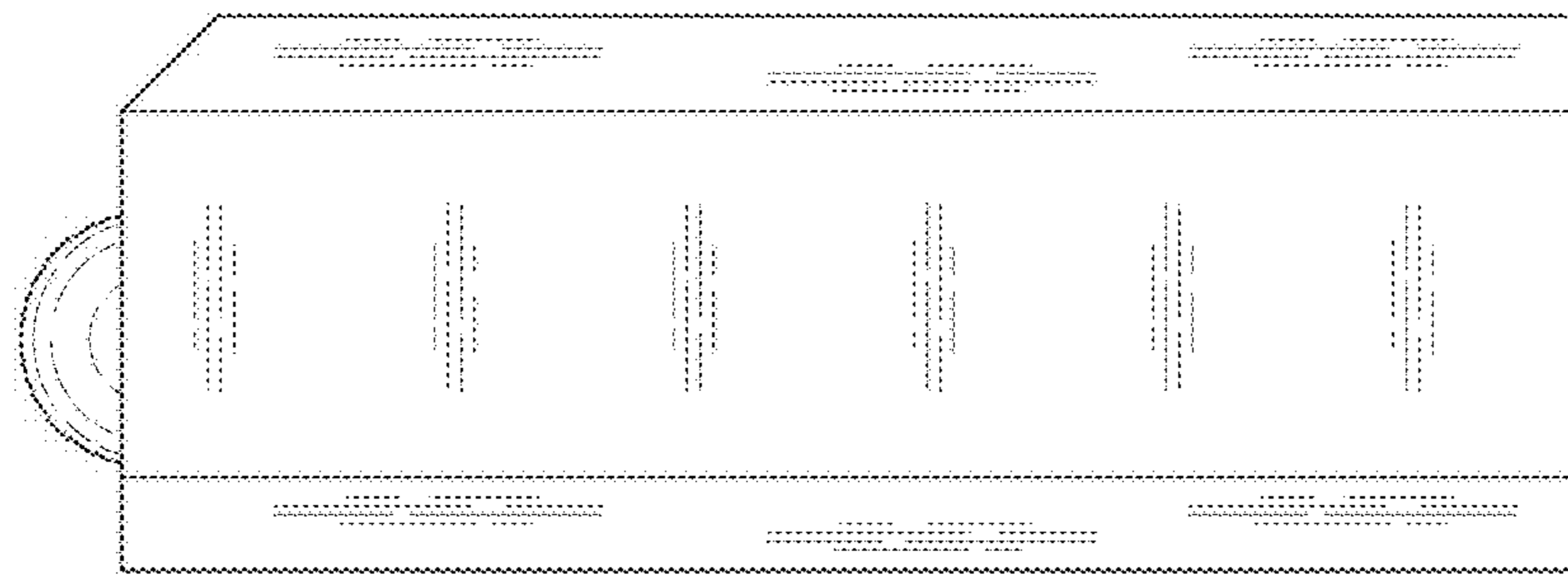


FIG. 4

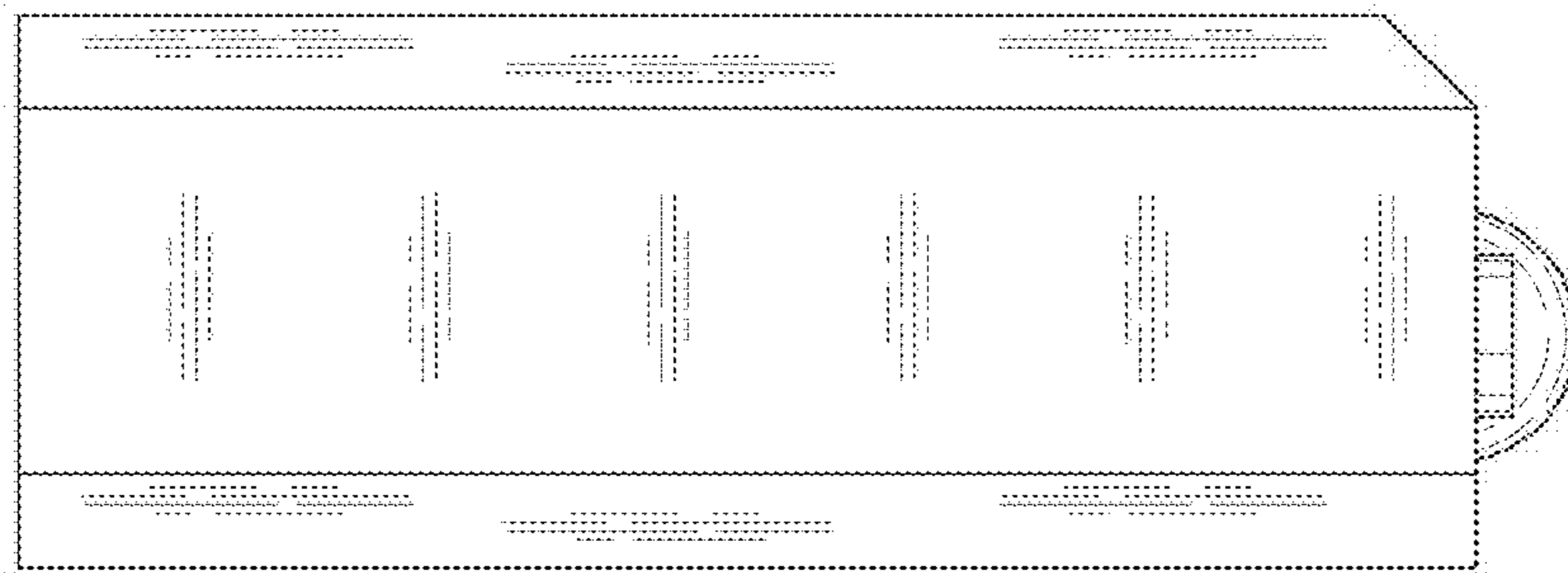


FIG. 5

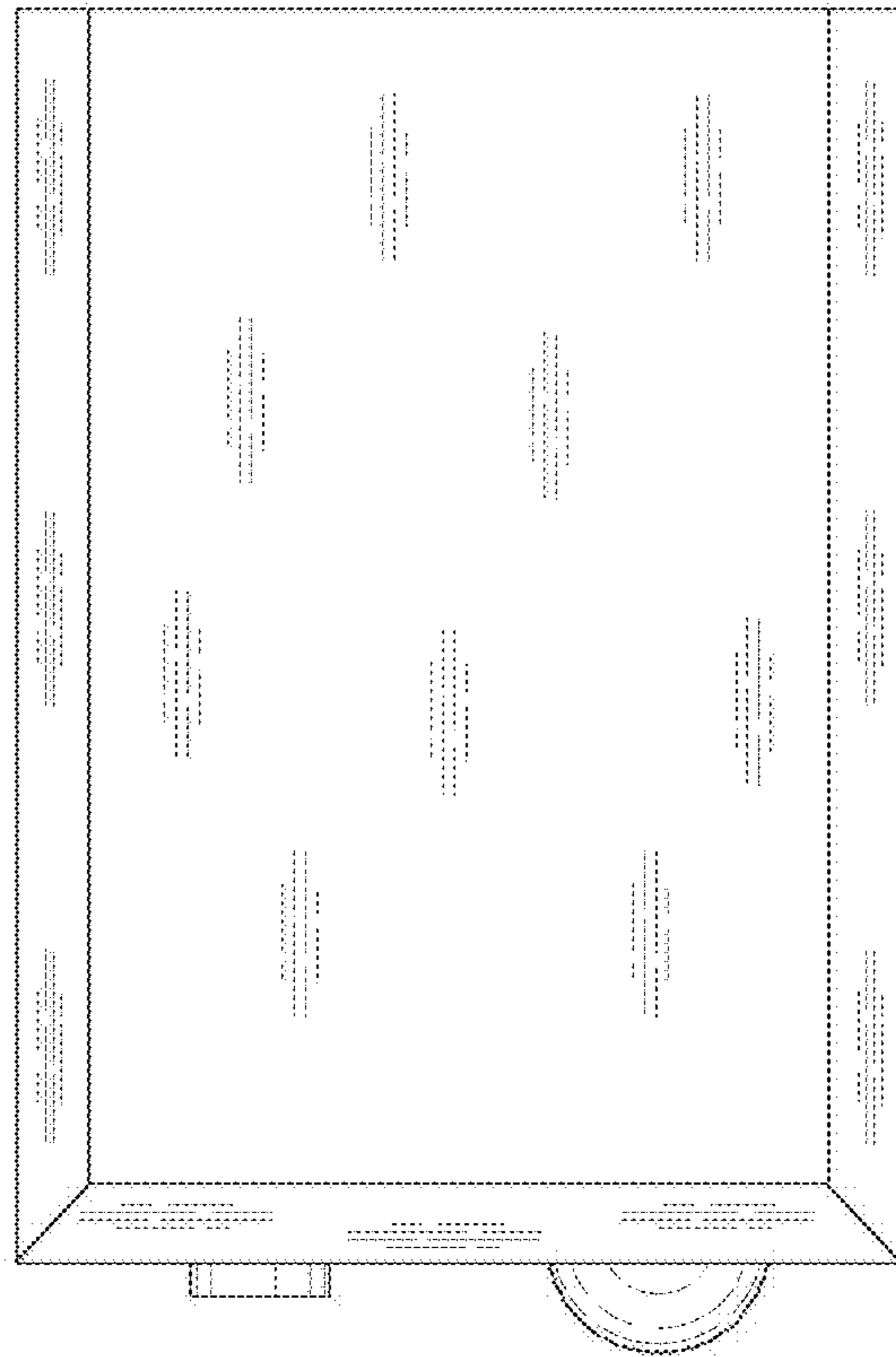


FIG. 6

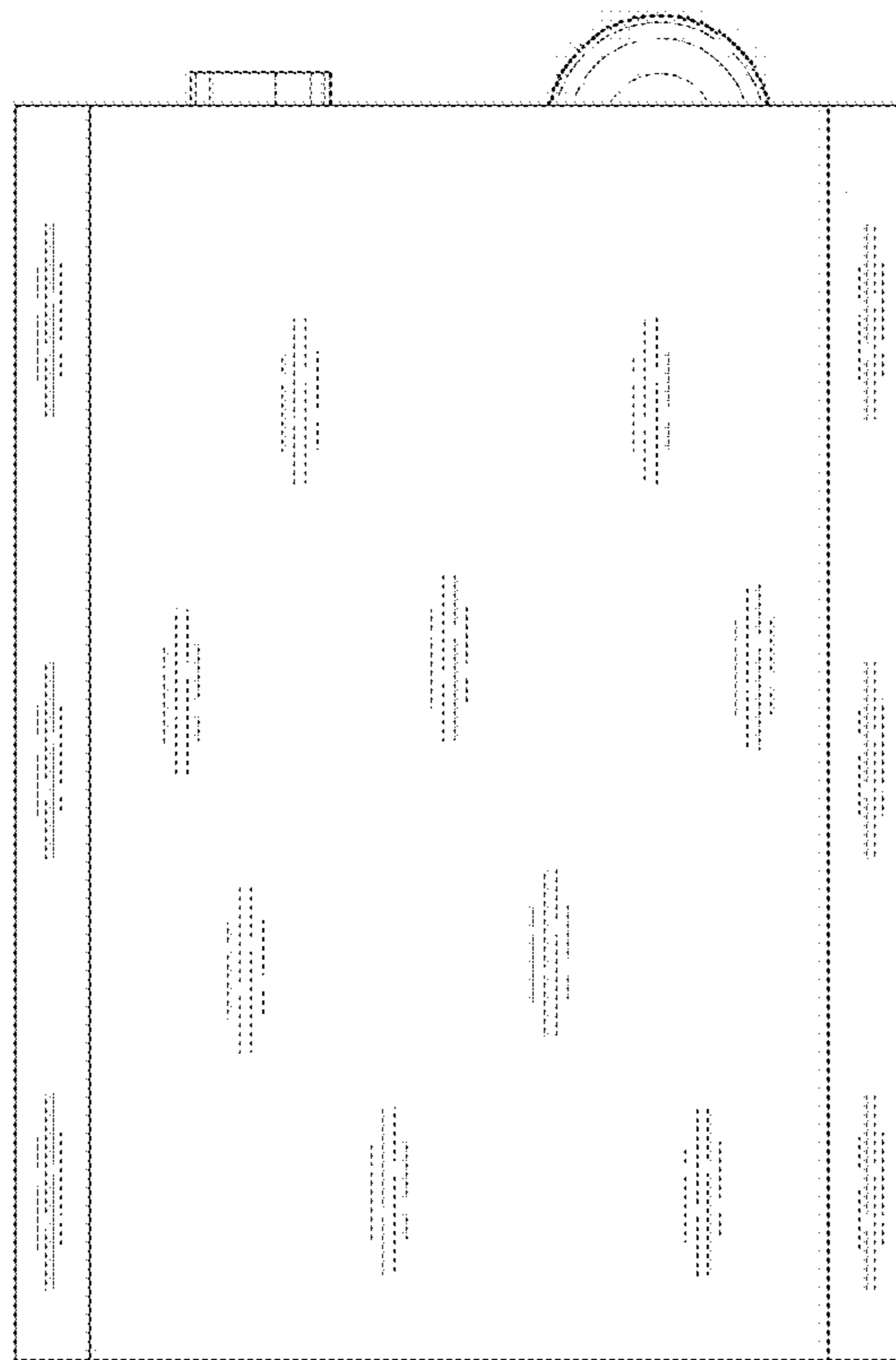


FIG. 7