

US00D857540S

(12) **United States Design Patent** (10) **Patent No.:** **US D857,540 S**  
**Kristensson et al.** (45) **Date of Patent:** **\*\* Aug. 27, 2019**

(54) **PART OF A BURGLAR ALARM**  
(71) Applicant: **VERISURE SÀRL**, Versoix (CH)  
(72) Inventors: **Daniel Kristensson**, Saxtorp (SE); **Henrik Mårtensson**, Lund (SE); **Kajsa Aspegren**, Falsterbo (SE); **Bayden Filleul**, Dublin (IE); **Eoin McNally**, Dublin (IE); **Ryan Helps**, Malmö (SE); **Kim McKenzie Doyle**, Carlow (IE); **Emmanuelle Choteau**, Lille (FR); **Diarmuid MacMahon**, Dublin (IE)  
(73) Assignee: **VERISURE SÀRL**, Versoix (CH)  
(\*\*) Term: **15 Years**  
(21) Appl. No.: **29/659,177**  
(22) Filed: **Aug. 7, 2018**

**Related U.S. Application Data**

(62) Division of application No. 35/502,893, filed on Oct. 25, 2016 (U.S. filing date under 35 U.S.C. 384), and having an international filing date of Oct. 25, 2016, now Pat. No. Des. 834,978.

**Foreign Application Priority Data**

(30) Oct. 25, 2016 (WO) ..... DM/093169  
(51) **LOC (12) Cl.** ..... **10-05**  
(52) **U.S. Cl.**  
USPC ..... **D10/106.1**  
(58) **Field of Classification Search**  
USPC ..... D10/104.1, 106.1, 106.7, 106.95, 52, 65, D10/70, 103; D14/204, 214, 194, 240, D14/198; D13/174, 162, 139.8  
CPC ..... G06Q 10/00  
See application file for complete search history.

(56) **References Cited**  
U.S. PATENT DOCUMENTS  
D449,244 S 10/2001 Ginzel  
D534,089 S 12/2006 Disselkoen et al.  
D537,746 S 3/2007 Kageyama  
D559,718 S 1/2008 Schaeken  
D559,719 S 1/2008 Schaeken et al.  
D632,600 S 2/2011 Noguchi  
D666,934 S 9/2012 Krumpe et al.  
D680,013 S 4/2013 Ikeda et al.  
D713,277 S 9/2014 Hasegawa et al.  
D717,674 S \* 11/2014 Vu ..... D10/65  
D726,179 S 4/2015 Orthey  
D736,107 S \* 8/2015 Lee ..... D10/70  
D739,776 S \* 9/2015 Vu ..... D10/103  
D739,778 S \* 9/2015 Vu ..... D10/103  
D740,706 S \* 10/2015 Vu ..... D10/103  
(Continued)

**FOREIGN PATENT DOCUMENTS**

EM 000422308-0002 S 11/2005  
EM 000442124-0001 S 1/2006  
(Continued)

*Primary Examiner* — George D. Kirschbaum  
(74) *Attorney, Agent, or Firm* — Moser Taboada

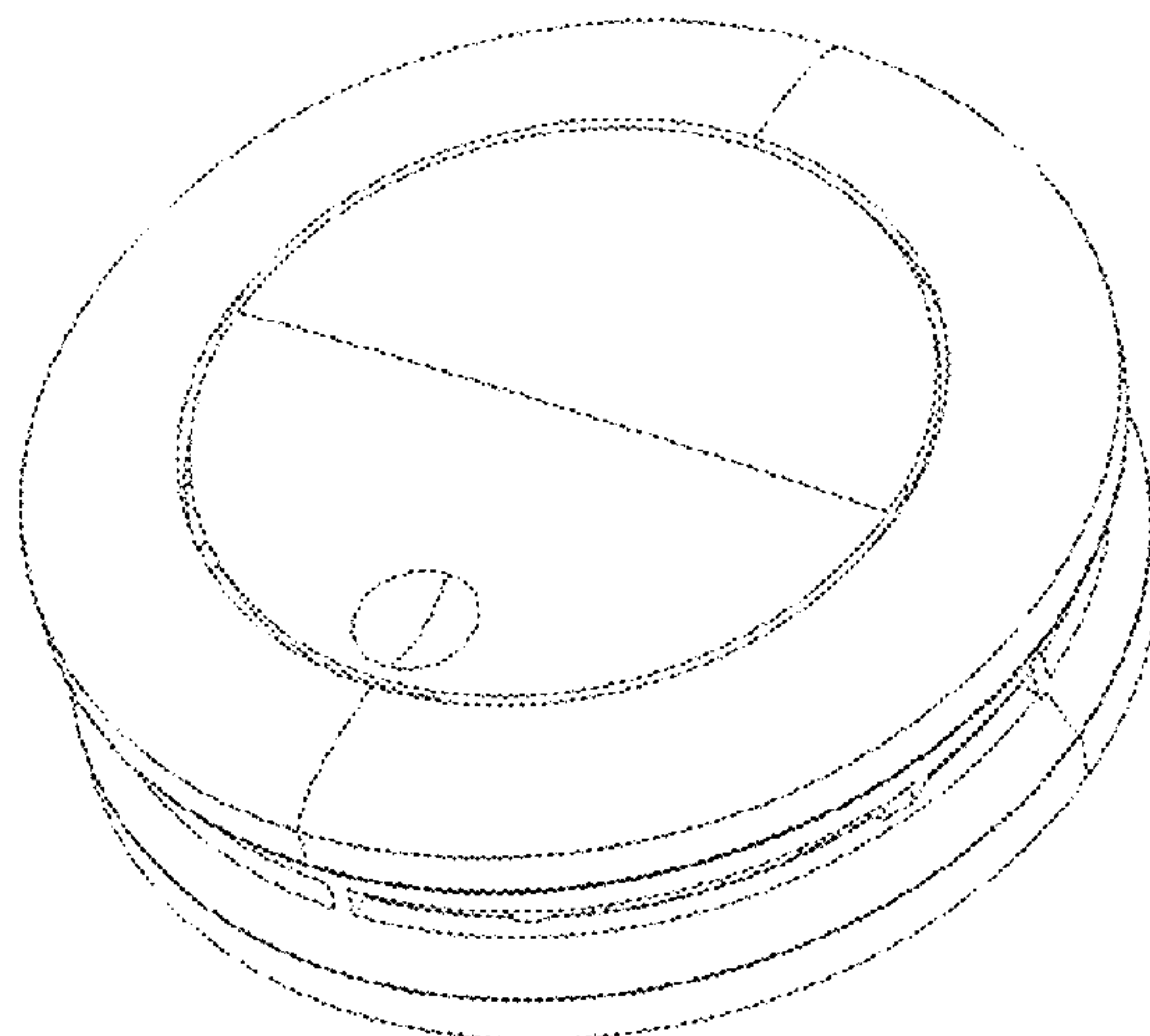
(57) **CLAIM**

The ornamental design for parts of burglar alarms, as shown and described.

**DESCRIPTION**

FIG. 1 is a top isometric view of part of a burglar alarm embodying the new design;  
FIG. 2 is a front view of the design shown in FIG. 1;  
FIG. 3 is a rear view of the design shown in FIG. 1;  
FIG. 4 is a top view of the design shown in FIG. 1;  
FIG. 5 is a left side view of the design shown in FIG. 1; and,  
FIG. 6 is a right side view of the design shown in FIG. 1.

**1 Claim, 6 Drawing Sheets**



(56)

**References Cited**

U.S. PATENT DOCUMENTS

D744,884	S	12/2015	Roberts et al.	
D747,228	S	1/2016	Fiedler et al.	
D757,586	S	5/2016	Li	
D777,050	S	1/2017	Will et al.	
D778,185	S	2/2017	Ookawa et al.	
D779,988	S *	2/2017	Vu .....	D10/103
D786,106	S	5/2017	Yau	
D788,603	S	6/2017	Liu	
D793,262	S	8/2017	Geskin et al.	
D793,888	S	8/2017	Hasegawa	
D796,364	S	9/2017	Konotopskyi et al.	
D803,187	S	11/2017	Gunnarsson et al.	
D805,941	S	12/2017	Jou et al.	
D806,671	S	1/2018	Kalyuzhny et al.	
D806,678	S	1/2018	Reichert et al.	
D807,320	S	1/2018	Wong	
D826,738	S *	8/2018	Liao .....	D10/52
D826,748	S *	8/2018	Kim .....	D10/70
D842,154	S *	3/2019	Dimitriadis .....	D10/106.2
2015/0356858	A1 *	12/2015	Daoura .....	G06Q 10/00 340/539.32

FOREIGN PATENT DOCUMENTS

EM	001783051-0001	S	11/2010
EM	001783051-0002	S	11/2010
EM	001783051-0004	S	11/2010
EM	001783051-0005	S	11/2010
EM	001783051-0006	S	11/2010
FR	006594	S	11/2000
NO	079807	S	4/2006
NO	080069	S	5/2006

\* cited by examiner

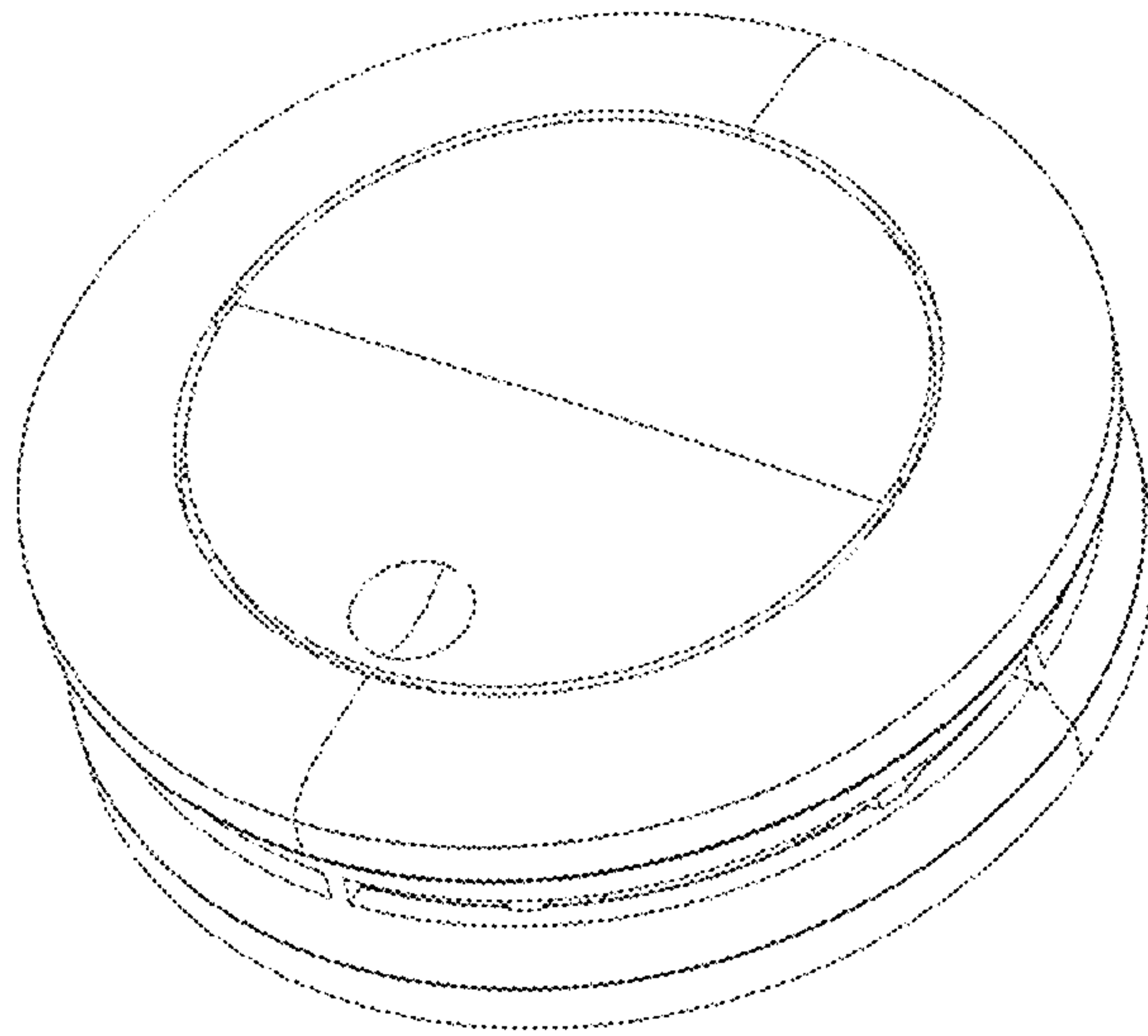


FIG. 1

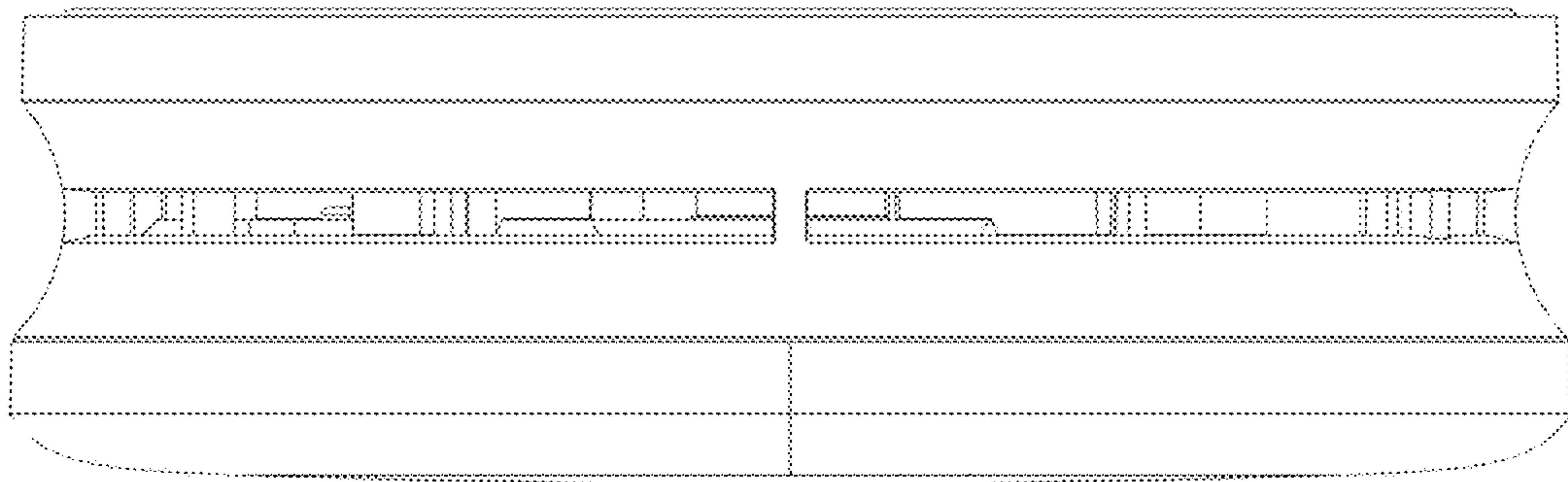


FIG. 2

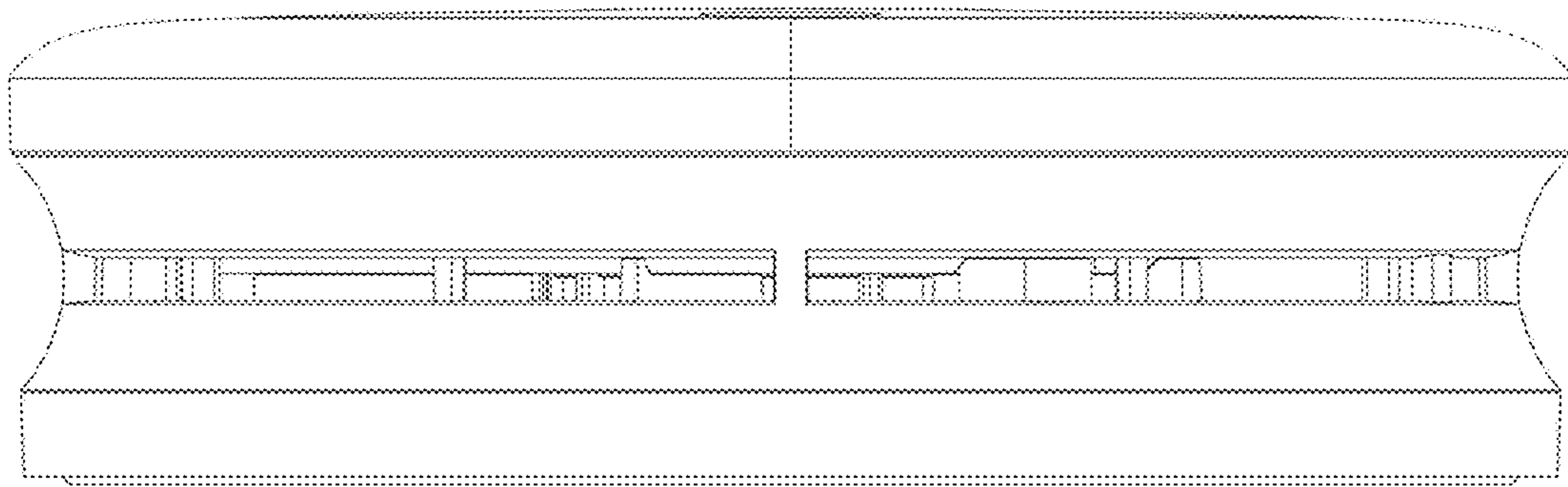


FIG. 3

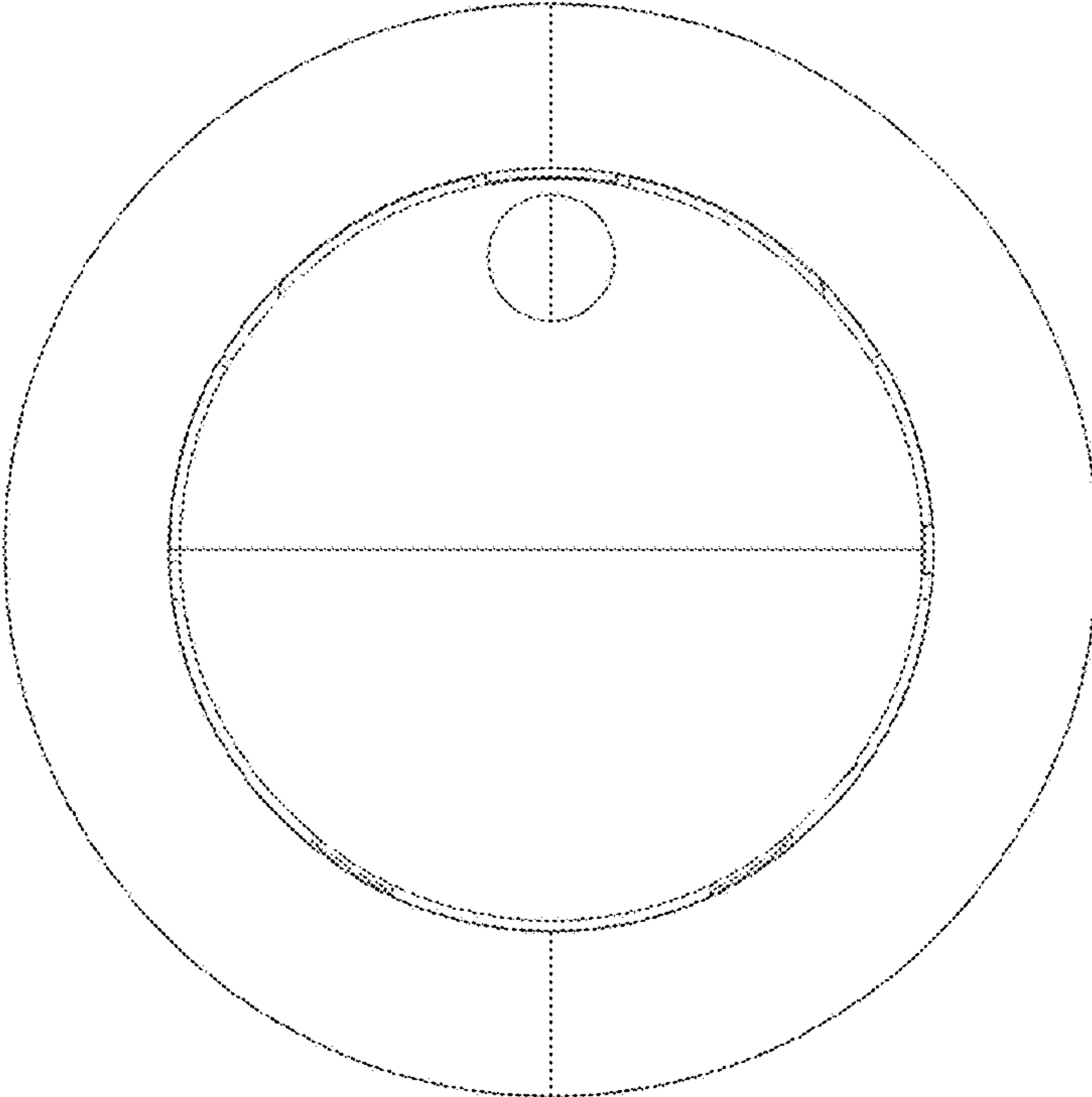


FIG. 4

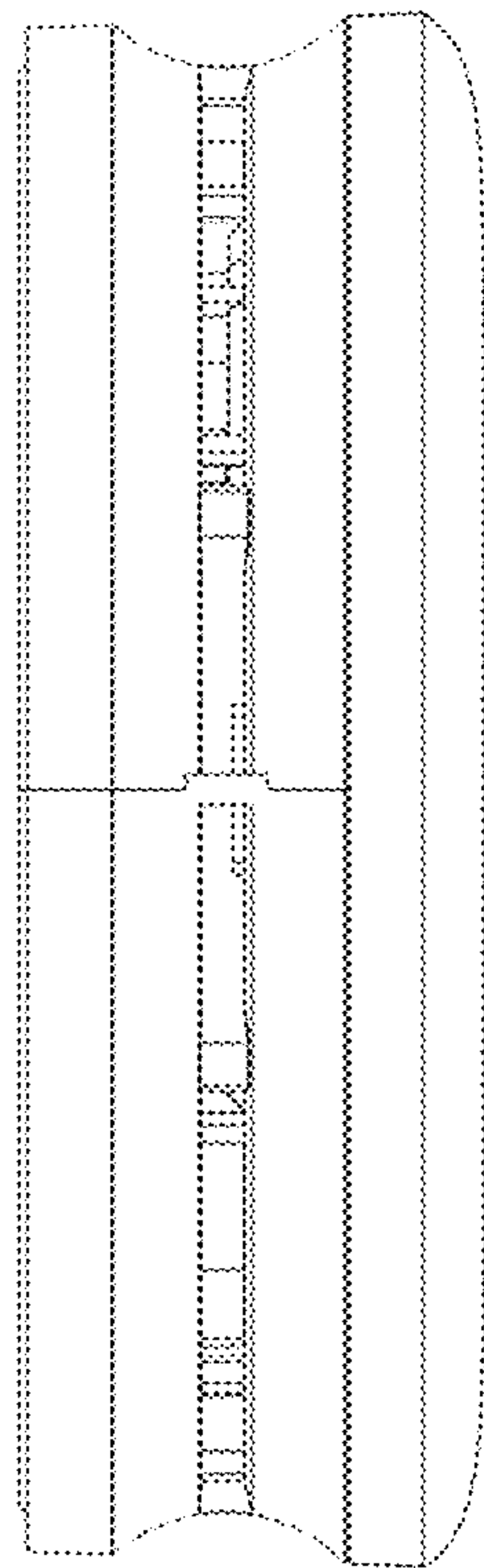


FIG. 5



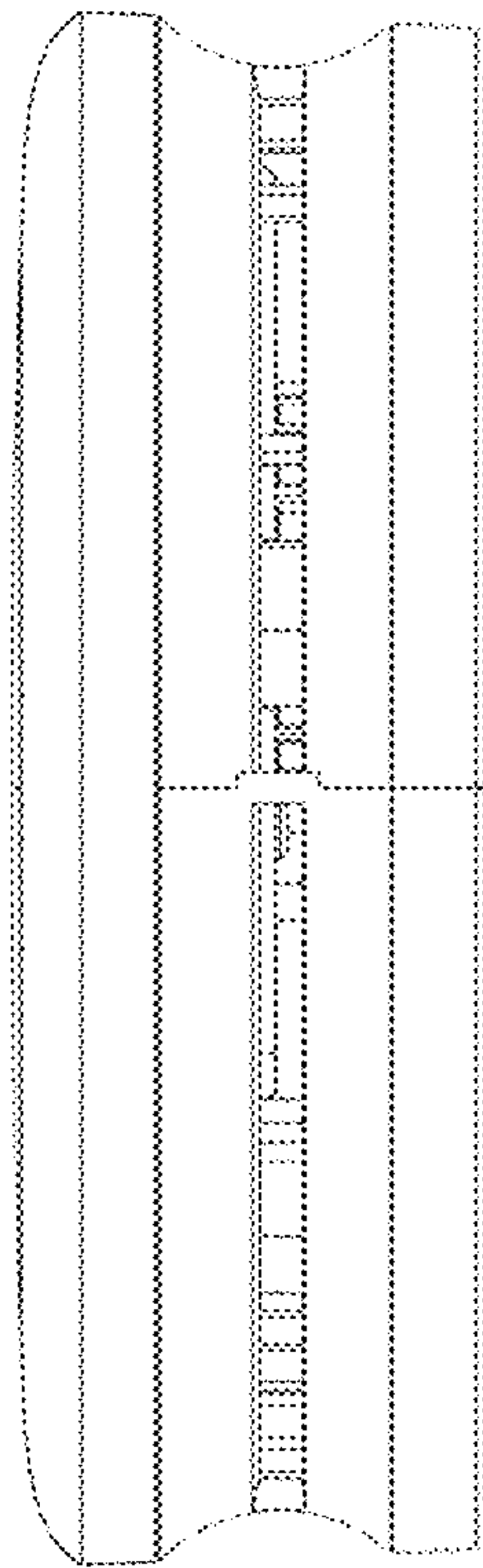


FIG. 6