



US00D857539S

(12) **United States Design Patent**
Kim et al.

(10) **Patent No.:** **US D857,539 S**

(45) **Date of Patent:** **** Aug. 27, 2019**

(54) **GIMBAL**

F16M 2200/08; F16M 13/04; F16M 13/06; G01C 21/18; G03B 17/561

(71) Applicant: **SZ DJI OSMO TECHNOLOGY CO., LTD.**, Shenzhen (CN)

See application file for complete search history.

(72) Inventors: **Min Kim**, Shenzhen (CN); **Jaewan Jeong**, Shenzhen (CN); **Wei-Dong Li**, Shenzhen (CN); **Yan-Chong Zhao**, Shenzhen (CN); **Shi-Meng Bei**, Shenzhen (CN); **Guo-Yao Liu**, Shenzhen (CN)

(56) **References Cited**

U.S. PATENT DOCUMENTS

D723,090	S	*	2/2015	Firchau	D16/242
D744,580	S	*	12/2015	Firchau	D16/242
D751,625	S	*	3/2016	Vesper	D16/242
D759,335	S	*	6/2016	Kim	D34/28
D785,893	S	*	5/2017	Kim	D34/28
D794,109	S	*	8/2017	Zheng	D16/242
D808,458	S	*	1/2018	Kim	D16/242
9,885,942	B2	*	2/2018	Zhao	F16M 11/045
9,900,511	B2	*	2/2018	Bell	H04N 5/2328
D828,434	S	*	9/2018	Kim	D16/242
10,073,327	B2	*	9/2018	Ishimatsu	G02B 5/3058

(Continued)

(73) Assignee: **SZ DJI OSMO TECHNOLOGY CO., LTD.**, Shenzhen (CN)

(**) Term: **15 Years**

Primary Examiner — Antoine Duval Davis

(21) Appl. No.: **29/662,640**

(74) *Attorney, Agent, or Firm* — ScienBiziP, P.C.

(22) Filed: **Sep. 7, 2018**

Related U.S. Application Data

(62) Division of application No. 29/601,487, filed on Apr. 22, 2017, now Pat. No. Des. 832,726.

(57) **CLAIM**

The ornamental design for a gimbal, as shown and described.

(51) **LOC (12) Cl.** **10-04**

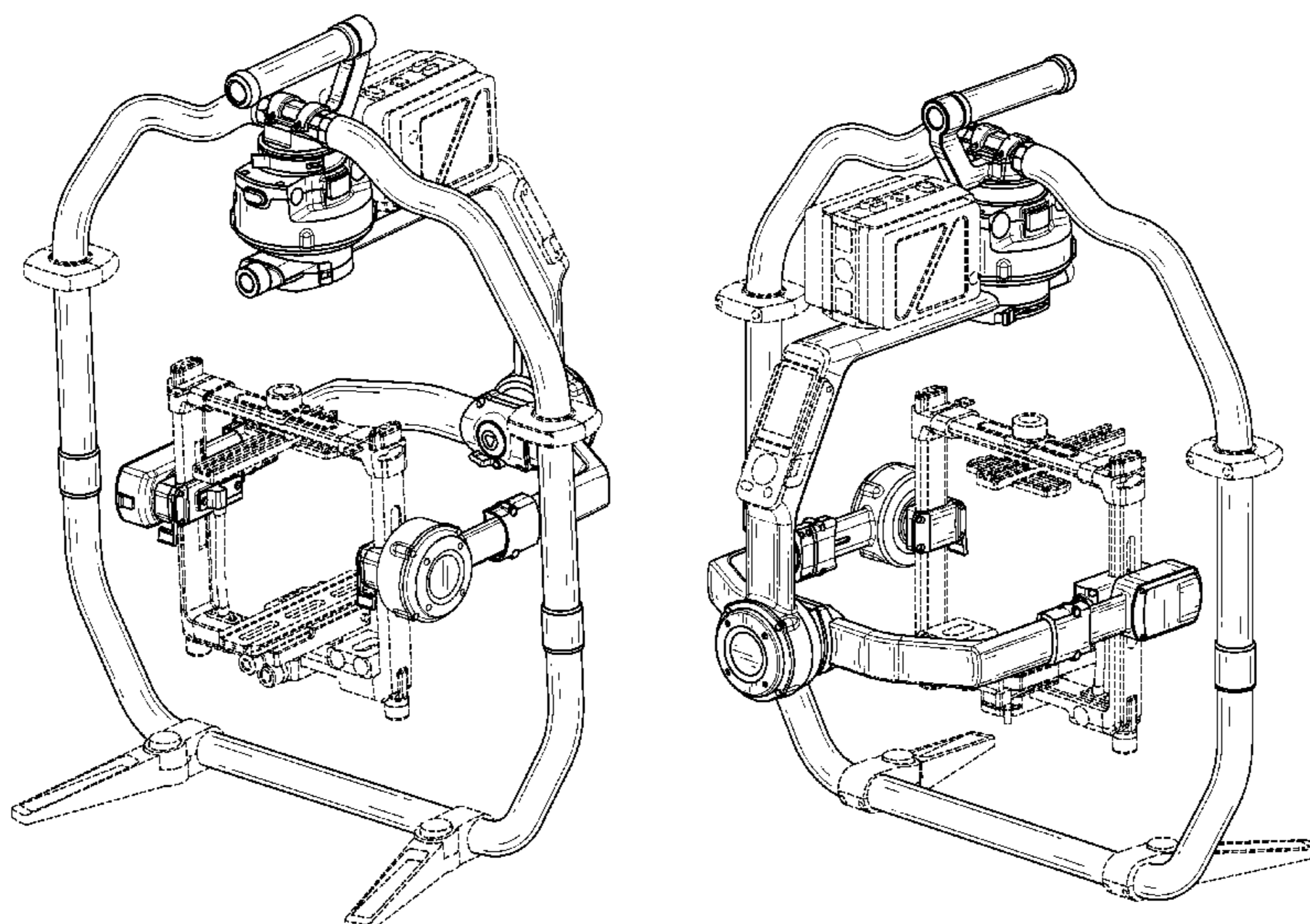
(52) **U.S. Cl.**
USPC **D10/103**; D10/74; D14/217; D14/447; D14/511; D16/242

DESCRIPTION

(58) **Field of Classification Search**
USPC D10/74, 103; D14/217, 447, 511; D16/130, 205, 208, 214, 235, 242
CPC F16M 11/00; F16M 11/14; F16M 11/18; F16M 13/00; F16M 13/005; F16M 13/02; F16M 2200/00; F16M 2200/04; F16M 2200/041; F16M 2200/042; F16M 2200/044; F16M 2200/045; F16M 2200/047; F16M 2200/048; F16M 11/041; F16M 11/105; F16M 11/2014; F16M 11/2021; F16M 11/06; F16M 11/08; F16M 11/10; F16M 11/20; F16M 11/2007; F16M 11/2028; F16M 11/2035;

FIG. 1 is a front perspective view of a gimbal showing my new design;
FIG. 2 is a rear perspective view thereof;
FIG. 3 is a front elevational view thereof;
FIG. 4 is a rear elevational view thereof;
FIG. 5 is a left side elevational view thereof;
FIG. 6 is a right side elevational view thereof;
FIG. 7 is a top plan view thereof; and,
FIG. 8 is a bottom plan view thereof.
The broken lines in the drawings are employed to show unclaimed portions of the gimbal, and form no part of the claimed design.

1 Claim, 8 Drawing Sheets



(56)

References Cited

U.S. PATENT DOCUMENTS

D832,726 S 11/2018 Kim et al.
10,208,887 B2* 2/2019 Tian F16M 13/04

* cited by examiner

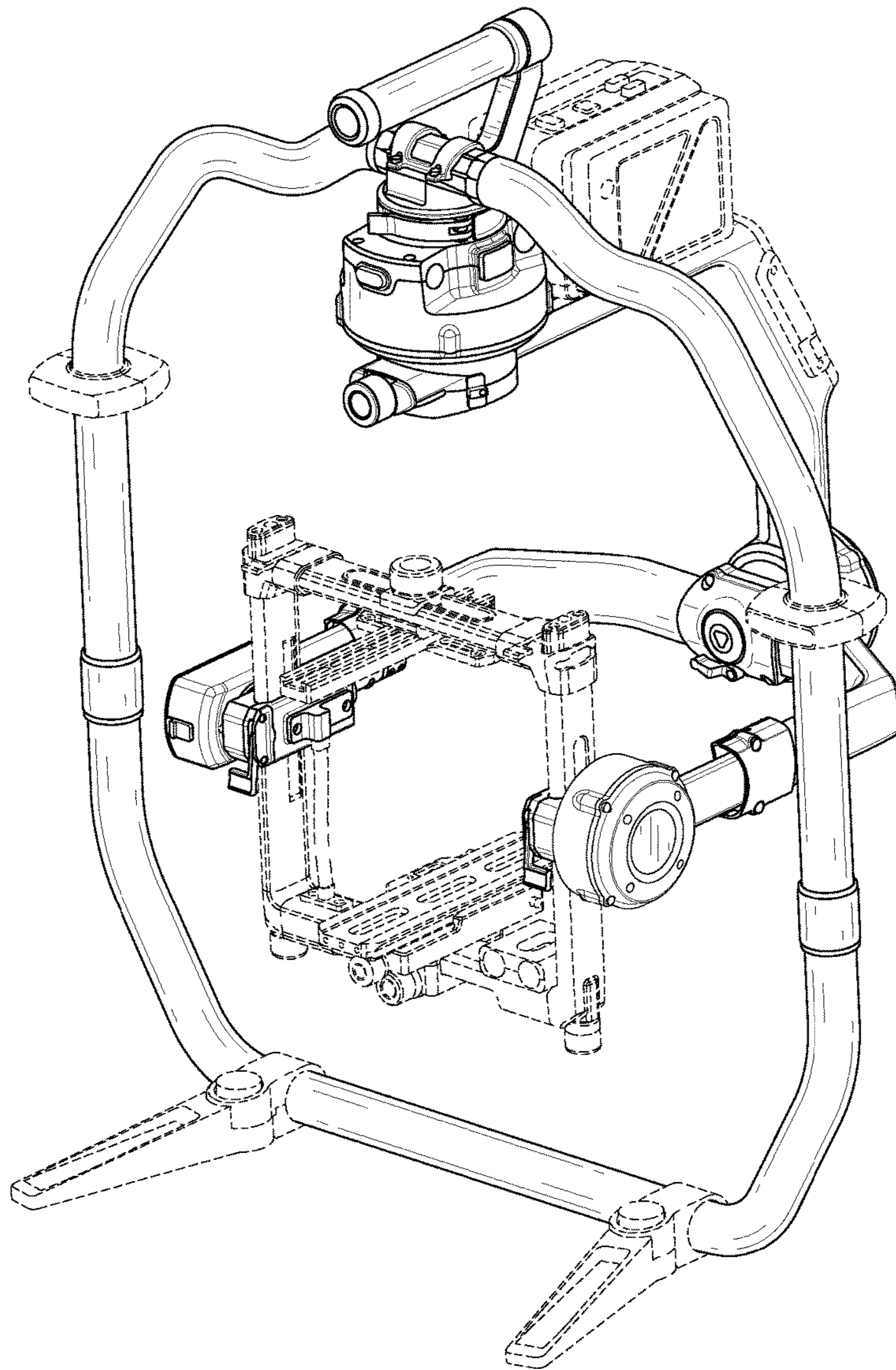


FIG. 1

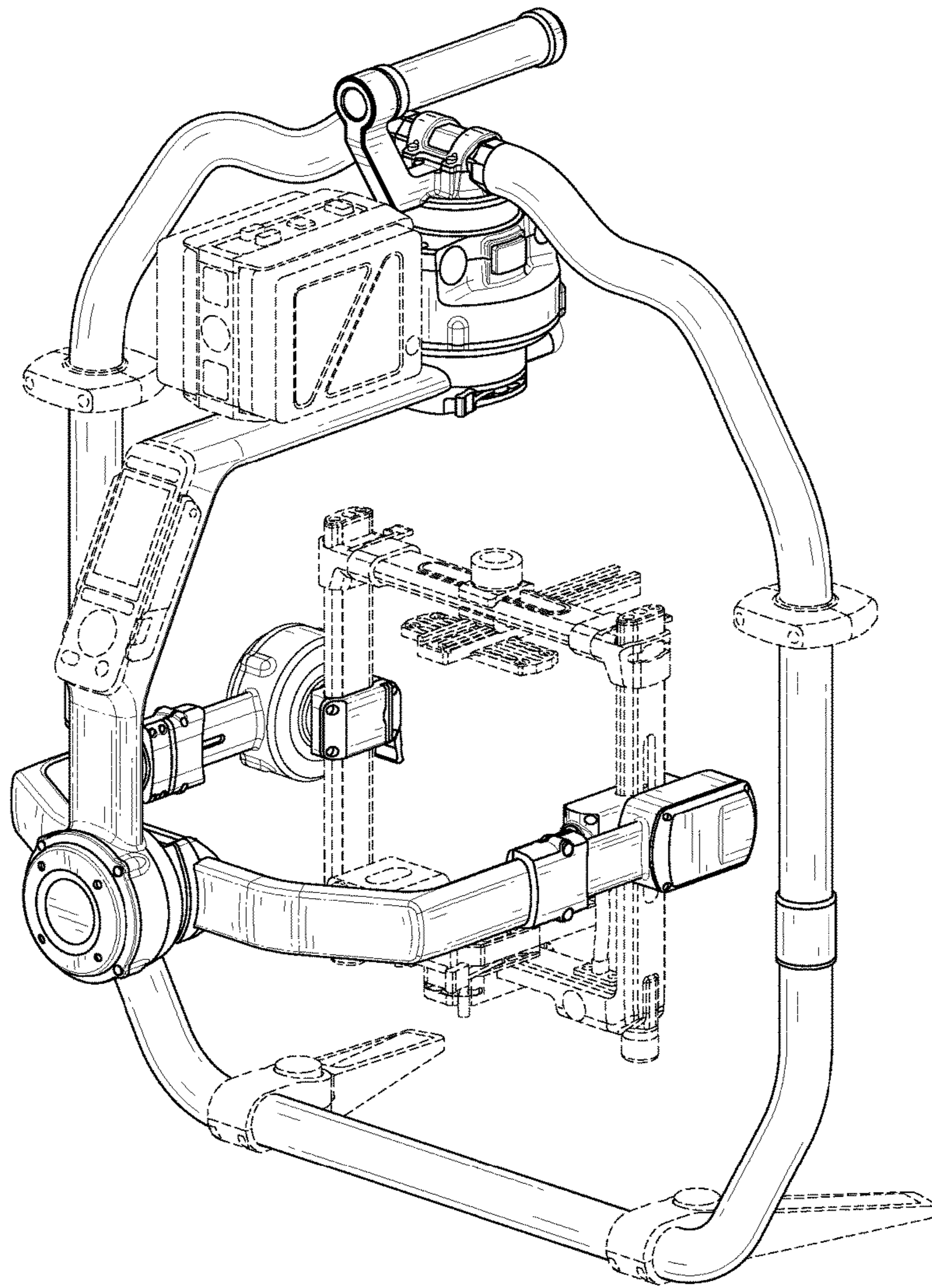


FIG. 2

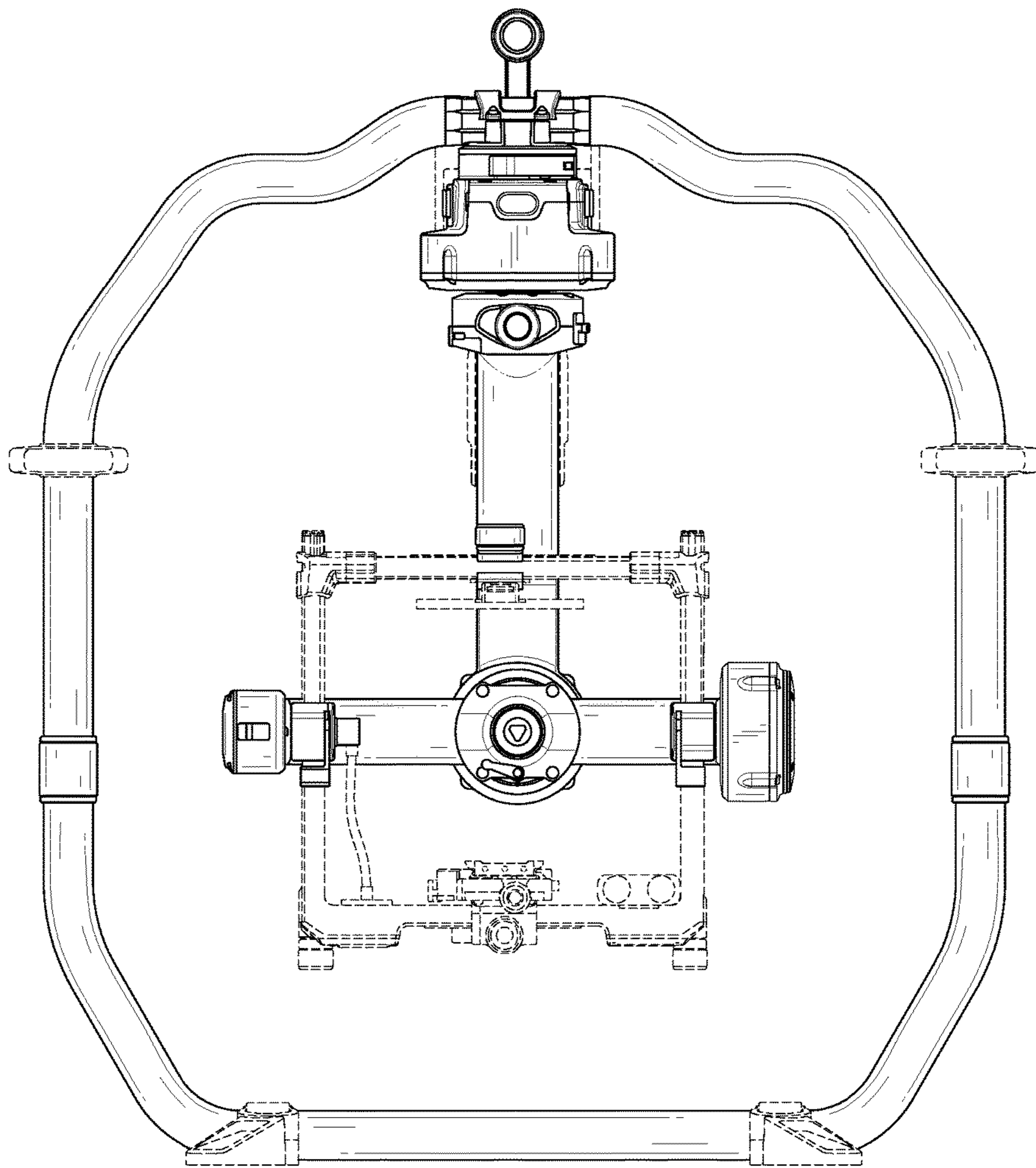


FIG. 3

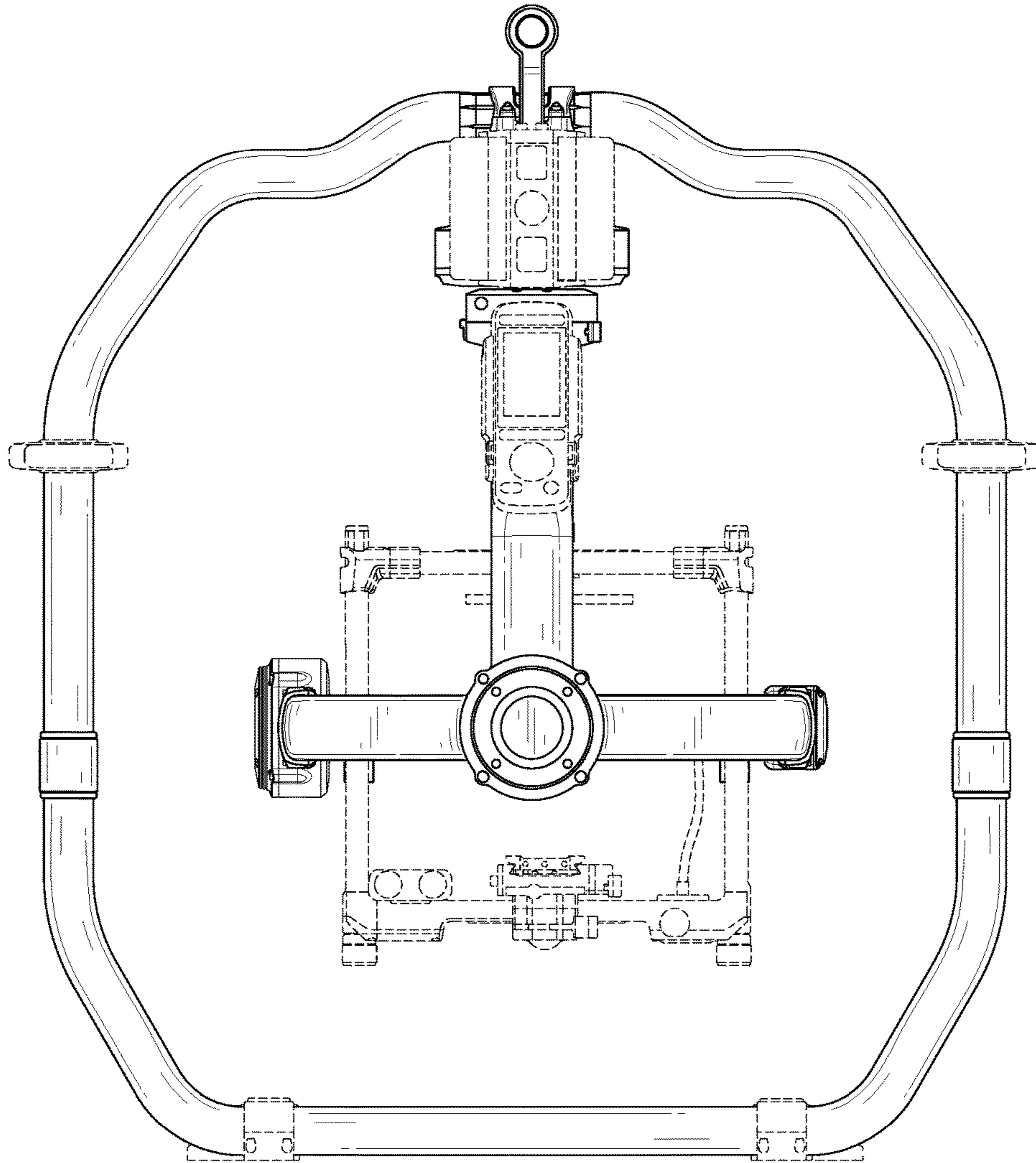


FIG. 4

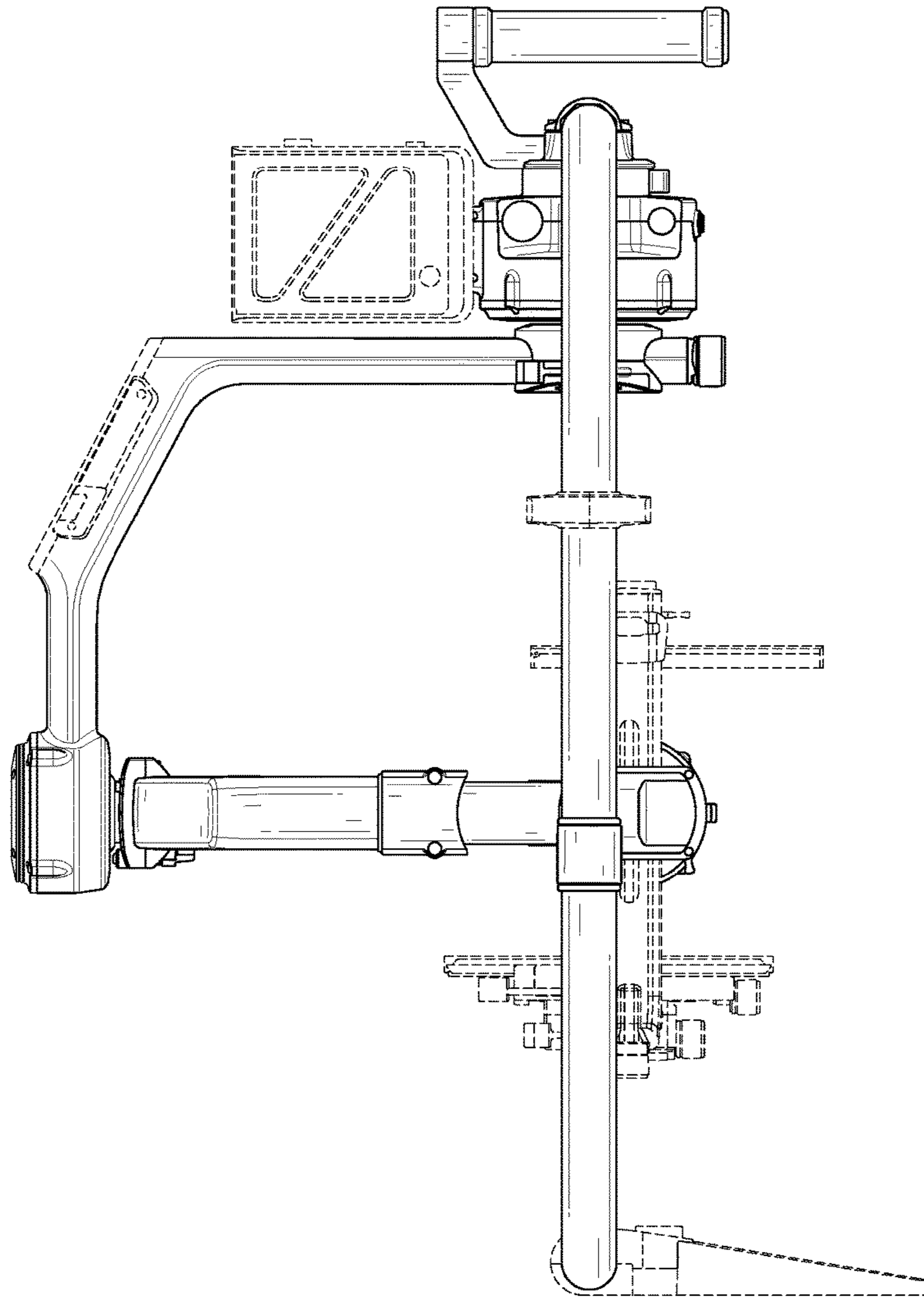


FIG. 5

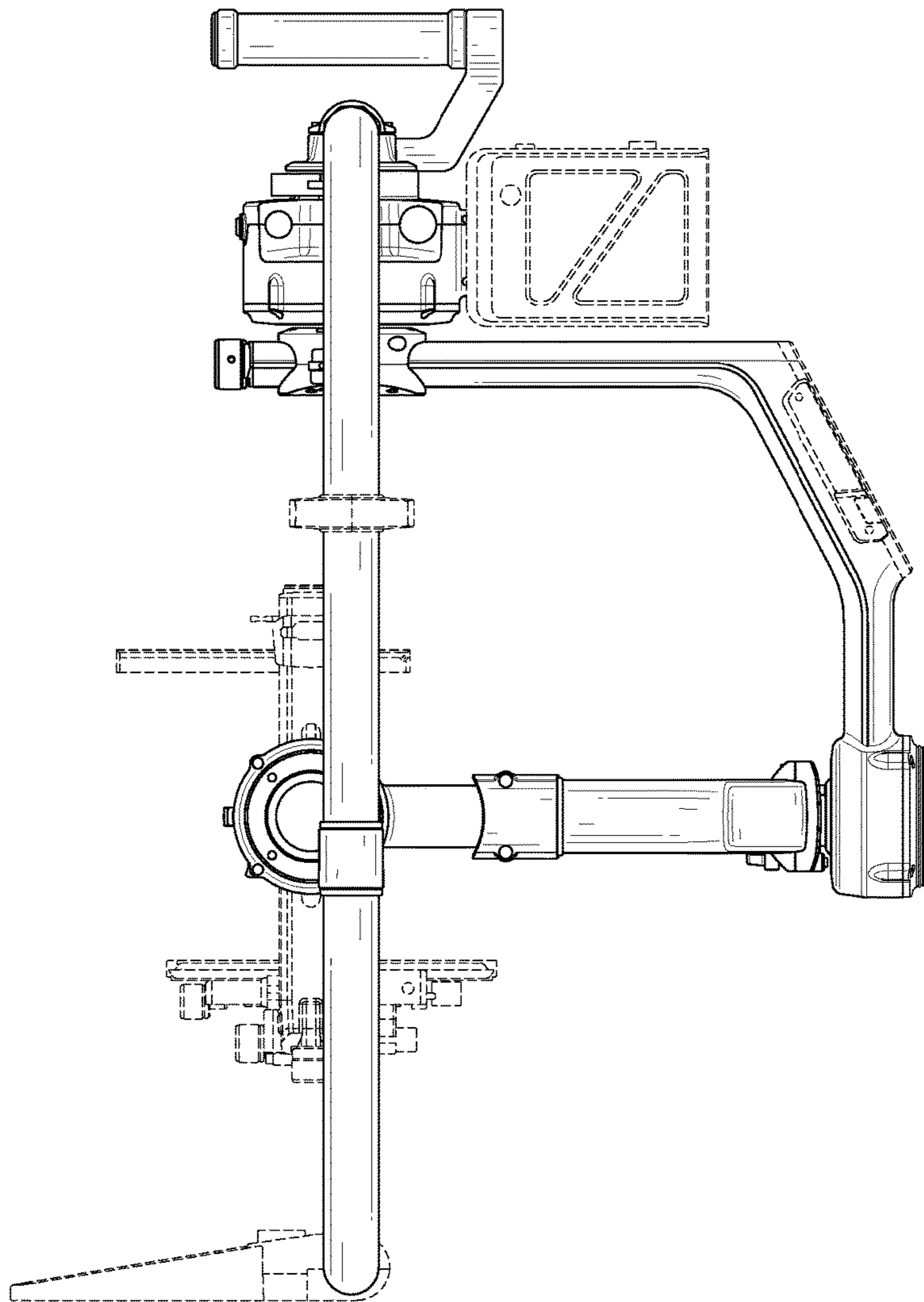


FIG. 6

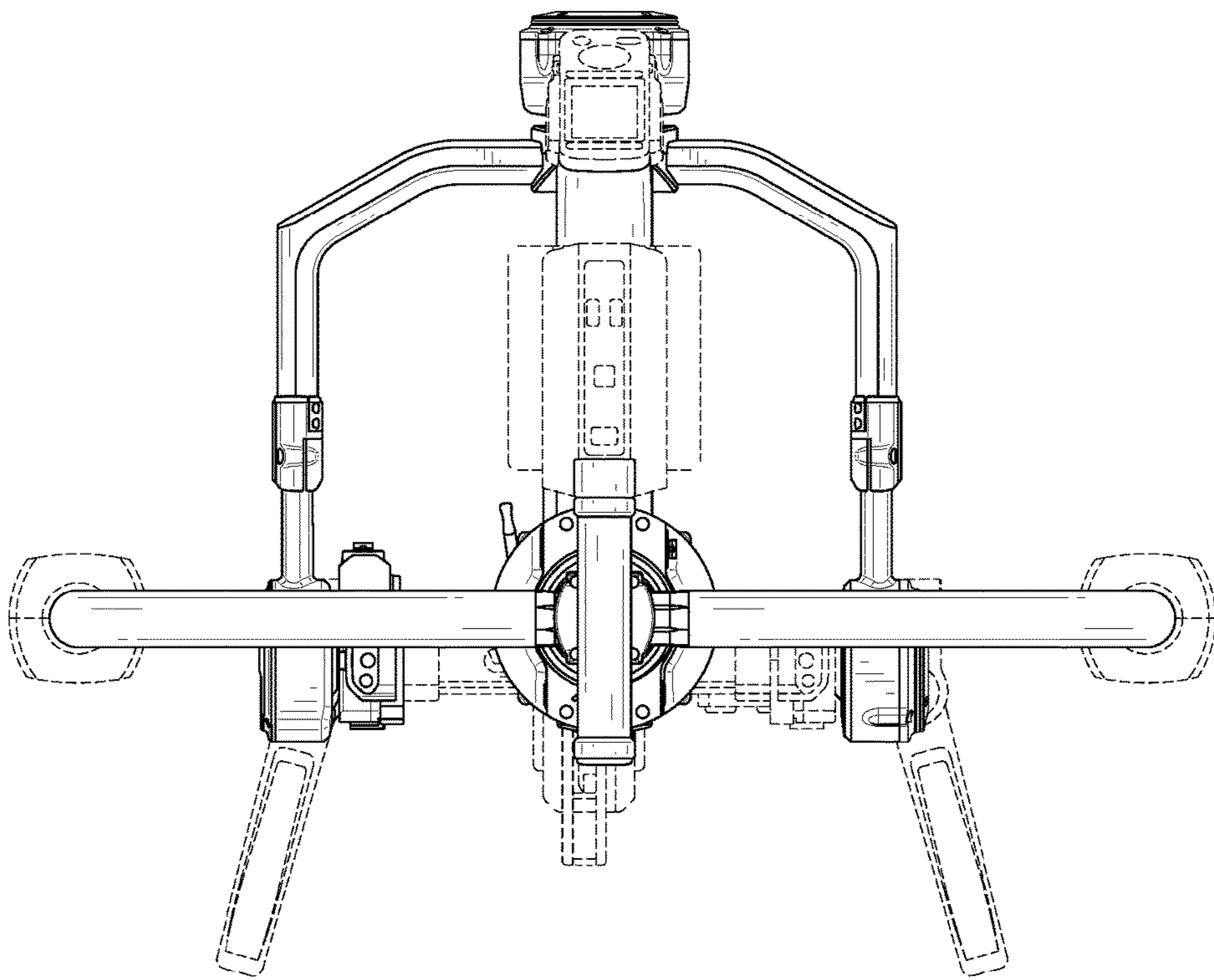


FIG. 7

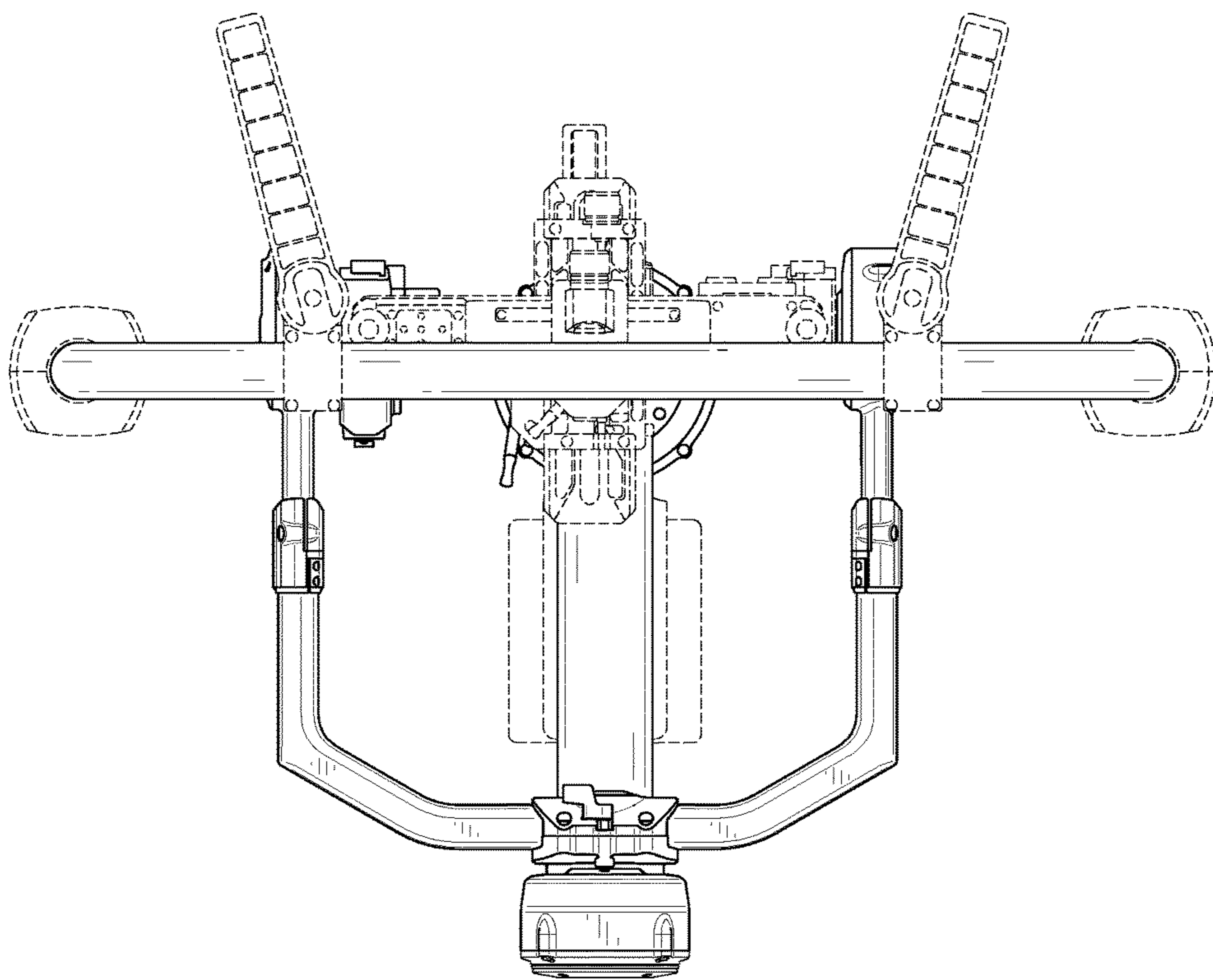


FIG. 8