



US00D857538S

(12) **United States Design Patent**  
**Rodriguez et al.**

(10) **Patent No.:** **US D857,538 S**  
(45) **Date of Patent:** **\*\* Aug. 27, 2019**

(54) **IRRIGATION CONTROLLER**

(71) Applicant: **Orbit Irrigation Products, LLC**, North Salt Lake, UT (US)

(72) Inventors: **Hugo Rodriguez**, Lake Oswego, OR (US); **Amy Marie Yamasaki**, Fruit Heights, UT (US)

(73) Assignee: **Orbit Irrigation Products, LLC**, North Salt Lake, UT (US)

(\*\*) Term: **15 Years**

(21) Appl. No.: **29/640,179**

(22) Filed: **Mar. 12, 2018**

(51) **LOC (12) Cl.** ..... **10-04**

(52) **U.S. Cl.**  
USPC ..... **D10/103; D13/173**

(58) **Field of Classification Search**  
USPC ..... D10/40, 49, 50, 102, 103; D13/162, D13/162.1, 164, 168, 173, 177, 184; D23/246

(Continued)

(56) **References Cited**

**U.S. PATENT DOCUMENTS**

D559,708 S \* 1/2008 Michael ..... D10/40  
D647,411 S \* 10/2011 Barton ..... D10/40

(Continued)

**OTHER PUBLICATIONS**

U.S. Appl. No. 29/640,145, filed Mar. 12, 2018, Rodriguez.

(Continued)

*Primary Examiner* — Antoine Duval Davis

(74) *Attorney, Agent, or Firm* — Austin Rapp

(57) **CLAIM**

The ornamental design for an irrigation controller, as shown and described.

**DESCRIPTION**

FIG. 1 is a first top perspective view of a first embodiment of an irrigation controller, according to our new design;

FIG. 2 is a first bottom perspective view of the embodiment of the irrigation controller shown in FIG. 1;

FIG. 3 is a second top perspective view of the embodiment of the irrigation controller shown in FIG. 1;

FIG. 4 is a second bottom perspective view of the embodiment of the irrigation controller shown in FIG. 1;

FIG. 5 is a left side elevational view of the embodiment of the irrigation controller shown in FIG. 1;

FIG. 6 is a right side elevational view of the embodiment of the irrigation controller shown in FIG. 1;

FIG. 7 is a front side elevational view of the embodiment of the irrigation controller shown in FIG. 1;

FIG. 8 is a rear side elevational view of the embodiment of the irrigation controller shown in FIG. 1;

FIG. 9 is a top view of the embodiment of the irrigation controller shown in FIG. 1;

FIG. 10 is a bottom view of the embodiment of the irrigation controller shown in FIG. 1;

FIG. 11 is a front side elevational view of a first alternative configuration of the embodiment of the irrigation controller shown in FIG. 1;

FIG. 12 is a front side elevational view of a second alternative configuration of the embodiment of the irrigation controller shown in FIG. 1;

FIG. 13 is a front side elevational view of a third alternative configuration of the embodiment of the irrigation controller shown in FIG. 1;

FIG. 14 is a front side elevational view of a fourth alternative configuration of the embodiment of the irrigation controller shown in FIG. 1; and

FIG. 15 is a front side elevational view of a fifth alternative configuration of the embodiment of the irrigation controller shown in FIG. 1.

FIG. 16 is a first top perspective view of a second embodiment of an irrigation controller, according to our new design;

FIG. 17 is a first bottom perspective view of the embodiment of the irrigation controller shown in FIG. 16;

FIG. 18 is a second top perspective view of the embodiment of the irrigation controller shown in FIG. 16;

(Continued)

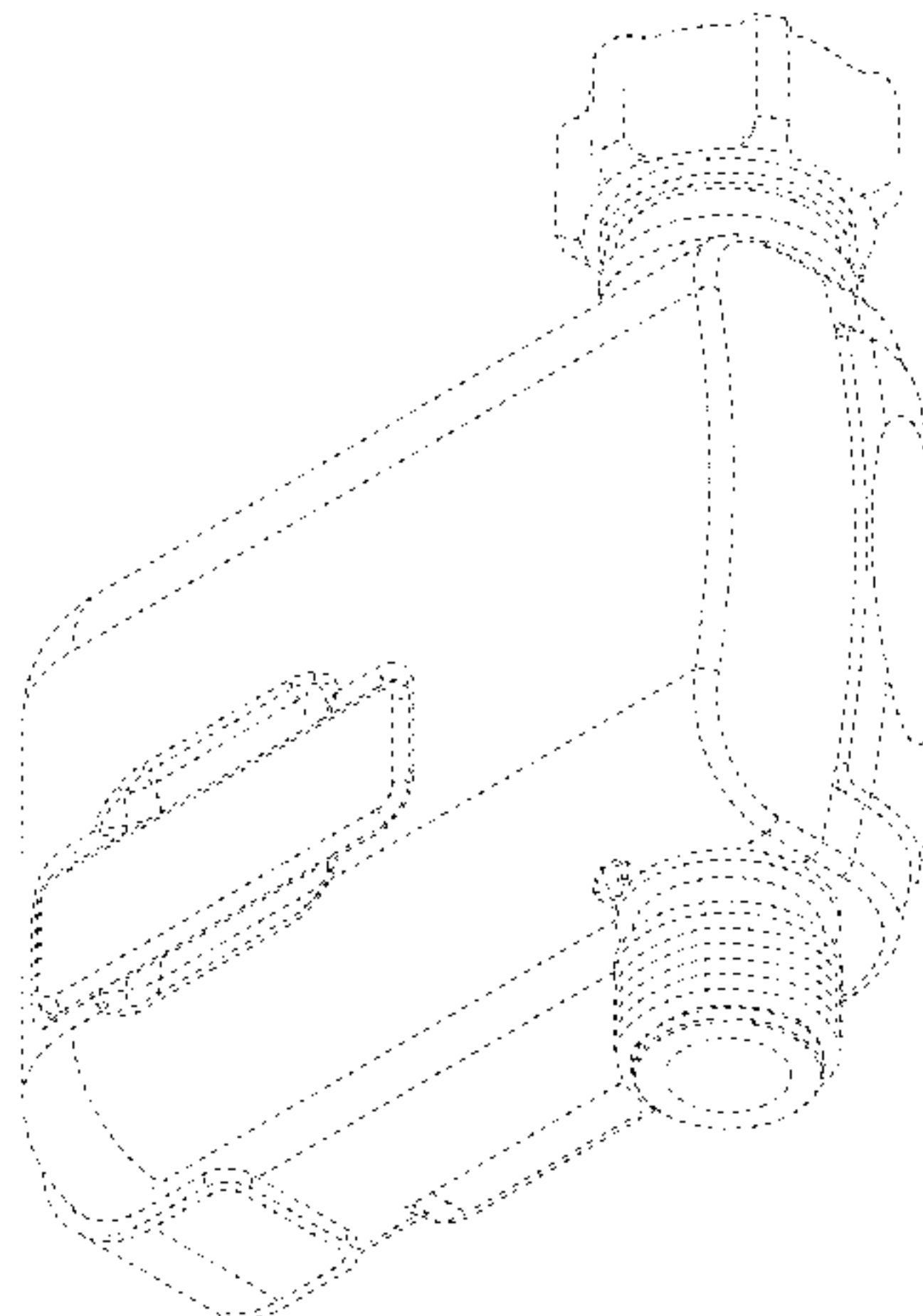
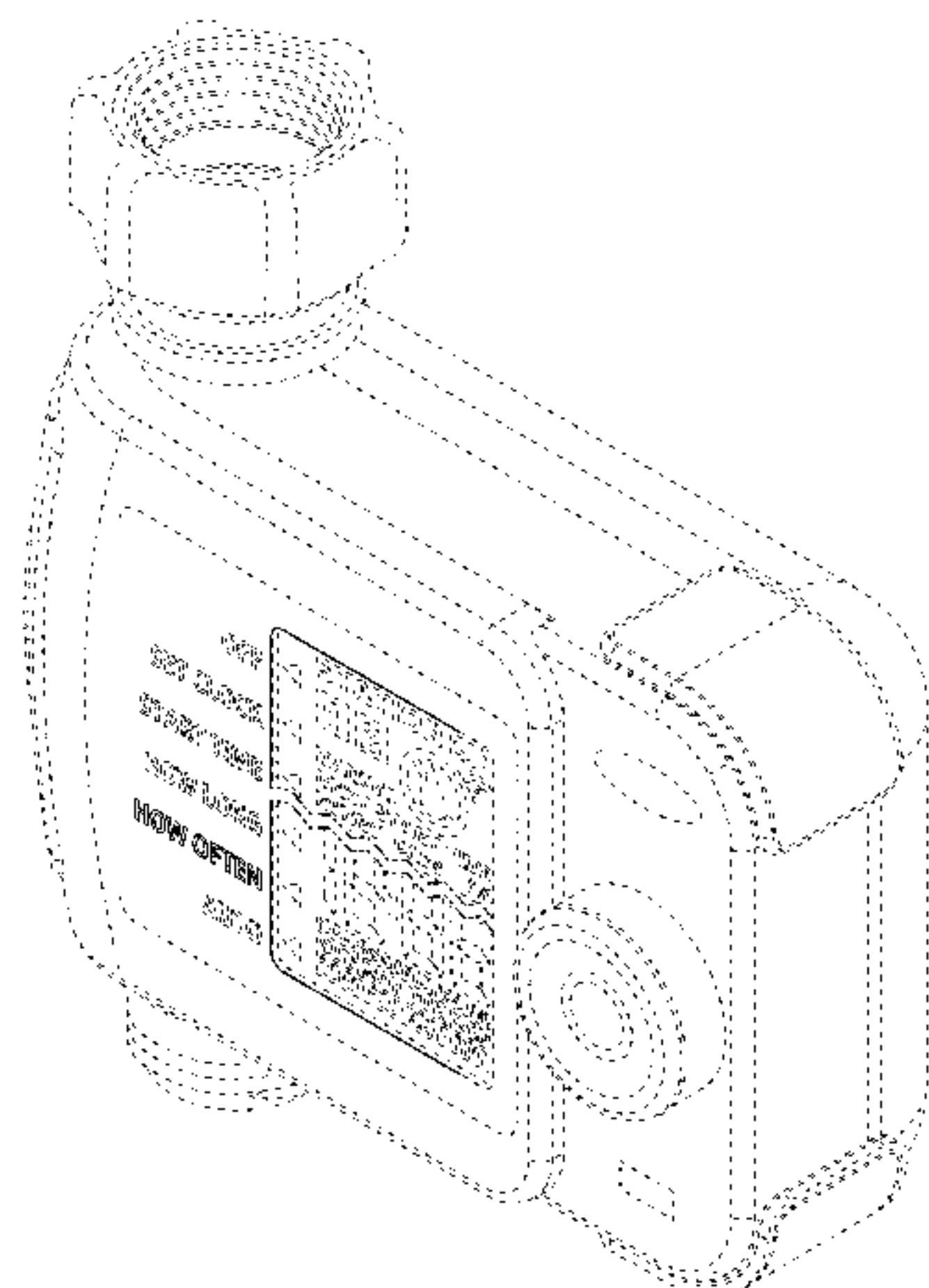




FIG. 19 is a second bottom perspective view of the embodiment of the irrigation controller shown in FIG. 16;  
 FIG. 20 is a left side elevational view of the embodiment of the irrigation controller shown in FIG. 16;  
 FIG. 21 is a right side elevational view of the embodiment of the irrigation controller shown in FIG. 16;  
 FIG. 22 is a front side elevational view of the embodiment of the irrigation controller shown in FIG. 16;  
 FIG. 23 is a rear side elevational view of the embodiment of the irrigation controller shown in FIG. 16;  
 FIG. 24 is a top view of the embodiment of the irrigation controller shown in FIG. 16;  
 FIG. 25 is a bottom view of the embodiment of the irrigation controller shown in FIG. 16;  
 FIG. 26 is a front side elevational view of a first alternative configuration of the embodiment of the irrigation controller shown in FIG. 16;  
 FIG. 27 is a front side elevational view of a second alternative configuration of the embodiment of the irrigation controller shown in FIG. 16;  
 FIG. 28 is a front side elevational view of a third alternative configuration of the embodiment of the irrigation controller shown in FIG. 16;  
 FIG. 29 is a front side elevational view of a fourth alternative configuration of the embodiment of the irrigation controller shown in FIG. 16; and,  
 FIG. 30 is a front side elevational view of a fifth alternative configuration of the embodiment of the irrigation controller shown in FIG. 16.

The portions of the irrigation controller shown in broken lines form no part of the claimed design. In the first embodiment of the irrigation controller, the pair of closely adjacent, jagged dash-dot-dot broken lines in the drawings (shown in FIGS. 1, 2, 7, and 11-15) comprise a symbolic break in its height. The appearance of any portion of the irrigation controller between the jagged dash-dot-dot broken lines forms no part of the claimed design. The pair of jagged dash-dot-dot broken lines themselves form no part of the claimed design. Portions of the screen and screen perimeter between the jagged dash-dot-dot broken lines have been removed from FIGS. 1, 2, 7 and 11-15 for clarity.

**1 Claim, 30 Drawing Sheets**

(58) **Field of Classification Search**

CPC ..... B05B 12/02; G01F 11/30; G05D 11/00;  
 F16K 31/02; A01G 25/16; A01G 25/162;  
 A01G 25/165; A01G 27/003; A01G  
 27/008; Y10T 137/86389; Y10T  
 137/86397; Y10T 137/87877; Y10T  
 137/86461

See application file for complete search history.

(56) **References Cited**

U.S. PATENT DOCUMENTS

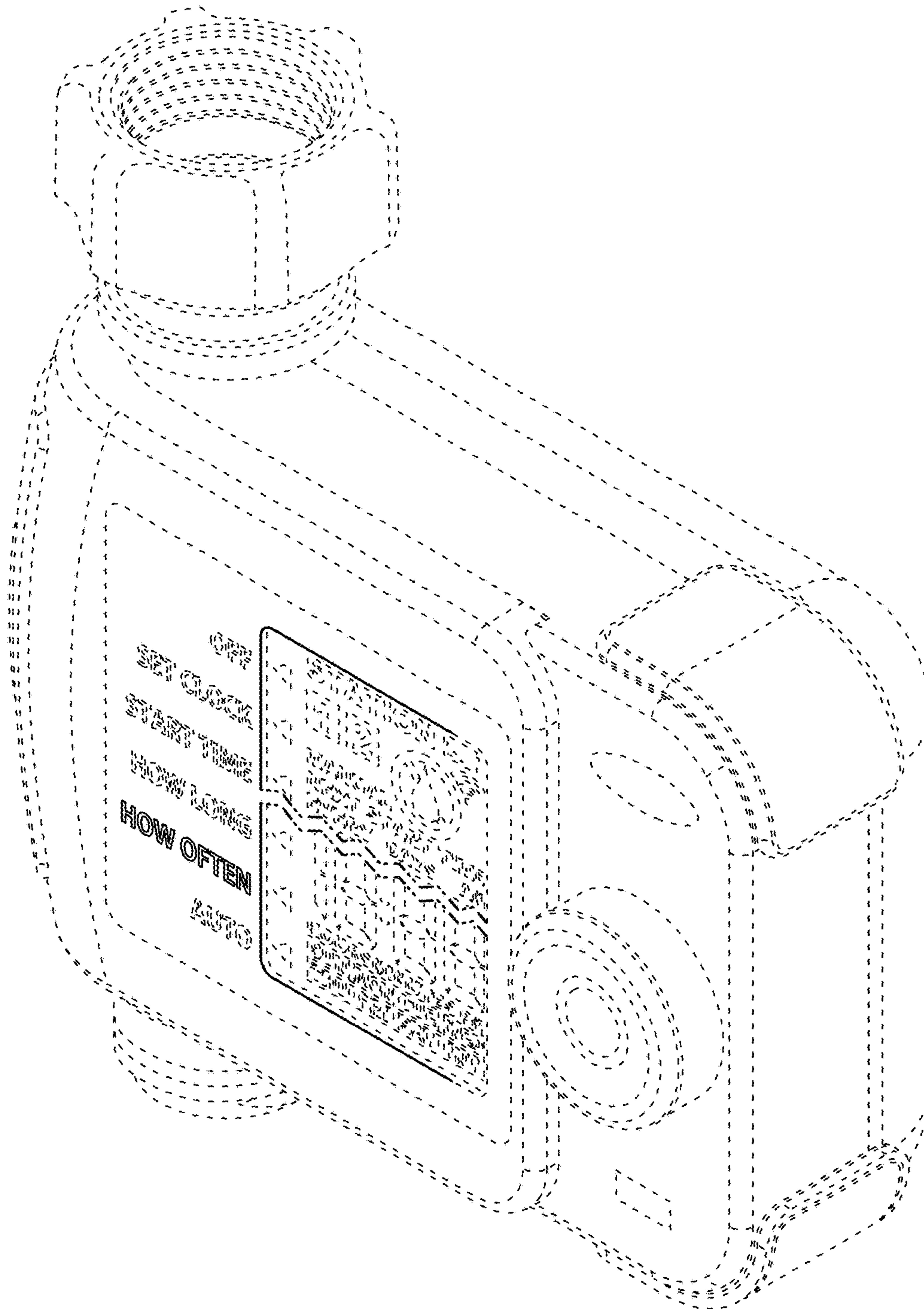
D657,263 S \* 4/2012 Nies ..... D10/40  
 D658,519 S 5/2012 Connolly

D659,029 S 5/2012 Connolly  
 D682,714 S \* 5/2013 Barton ..... D10/40  
 D713,271 S 9/2014 Ericksen  
 9,380,750 B2\* 7/2016 Wang ..... A01G 25/165  
 D778,738 S 2/2017 Ericksen  
 D779,343 S 2/2017 Ericksen  
 D781,160 S 3/2017 Ericksen  
 D782,340 S 3/2017 Ericksen  
 D787,955 S 5/2017 Ericksen  
 D810,700 S \* 2/2018 Jenkins ..... D13/162

OTHER PUBLICATIONS

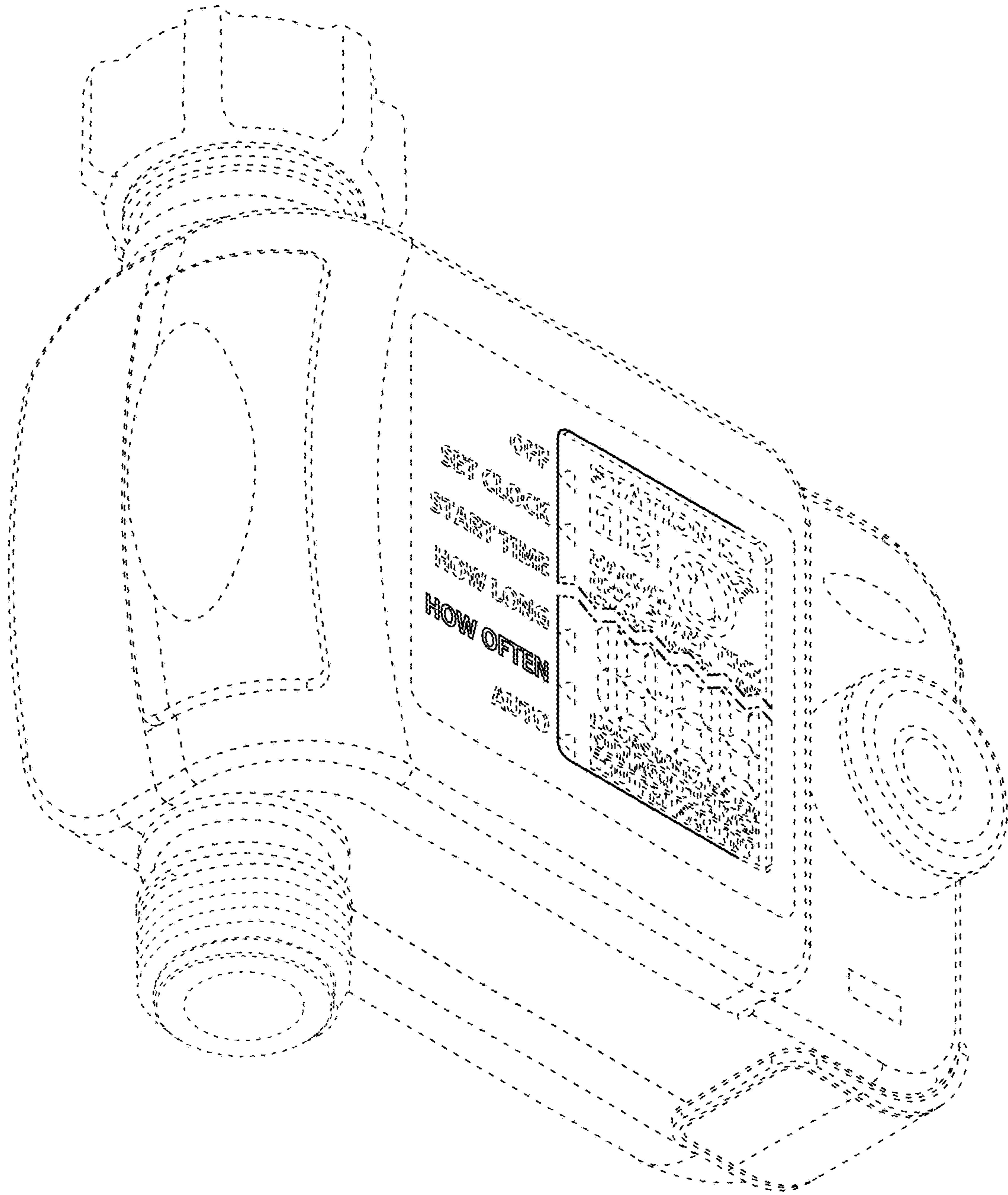
U.S. Appl. No. 29/640,167, filed Mar. 12, 2018, Rodriguez.  
 U.S. Appl. No. 29/640,175, filed Mar. 12, 2018, Rodriguez.  
 Orbit Irrigation Products, Inc., The product(s) shown in attachment 1 were sold or offered for sale by Orbit Irrigation Products, Inc., on or before Nov. of 2008.  
 Robert Bosch Tool Corporation, The product(s) shown in attachment 2 were sold or offered for sale by Robert Bosch Tool Corporation under the brand name Nelson on or before Mar. 19, 2013.  
 Melnor, Inc., The product(s) shown in attachment 3 were sold or offered for sale by Melnor, Inc., on or before Mar. 19, 2013.  
 Rain Bird Corporation, The product(s) shown in attachment 4 was sold or offered for sale by Rain Bird Corporation at least by Mar. 19, 2012.  
 Orbit Irrigation Products, Inc., The product(s) shown in attachment 5 were sold or offered for sale by Orbit Irrigation Products, Inc., at least by Mar. 19, 2012.  
 Orbit Irrigation Products, Inc., The product(s) shown in attachment 6 was sold or offered for sale by Orbit Irrigation Products, Inc., at least by Mar. 19, 2012.  
 Orbit Irrigation Products, Inc., Lowe's Hose End 2014 Product Review, the items shown in Attachment 7 were disclosed and/or offered sale in a private meeting on Jun. 11, 2013.  
 Orbit Irrigation Products, Inc., Product No. 56544 2-Outlet Hose Faucet Timer, online catalog, apparently published on or before Apr. 28, 2015, Retrieved from the Internet Apr. 20, 2016 <URL: http://www.homedepot.com/p/Orbit-2-Outlet-Hose-Faucet-Timer-56544/205585024> (shown in attachment 8).  
 Orbit Irrigation Products, Inc., Hose Faucet Timers, Product Nos. 24695 and 24723 the items shown in Attachment 9 were disclosed and/or offered sale in a private meeting on Mar. 13, 2013.  
 Notice of Allowance and Fee(s) Due (including a Notice of Allowability for a Design Application section, and an examiner's amendment to the record section), U.S. Appl. No. 29/640,145, dated Apr. 11, 2019 (shown in attachment 10).  
 Notice of Allowance and Fee(s) Due (including a Notice of Allowability for a Design Application section, and an examiner's amendment to the record section), U.S. Appl. No. 29/640,145, dated May 1, 2019 (shown in attachment 11).  
 Notice of Allowance and Fee(s) Due (including a Notice of Allowability for a Design Application section, and an examiner's amendment to the record section), U.S. Appl. No. 29/640,167, dated Apr. 11, 2019 (shown in attachment 12).  
 Notice of Allowance and Fee(s) Due (including a Notice of Allowability for a Design Application section, and an examiner's amendment to the record section), U.S. Appl. No. 29/640,167, dated May 1, 2019 (shown in attachment 13).  
 Notice of Allowance and Fee(s) Due (including a Notice of Allowability for a Design Application section, and an examiner's amendment section), U.S. Appl. No. 29/640,175, dated Feb. 26, 2019 (shown in attachment 14).

\* cited by examiner

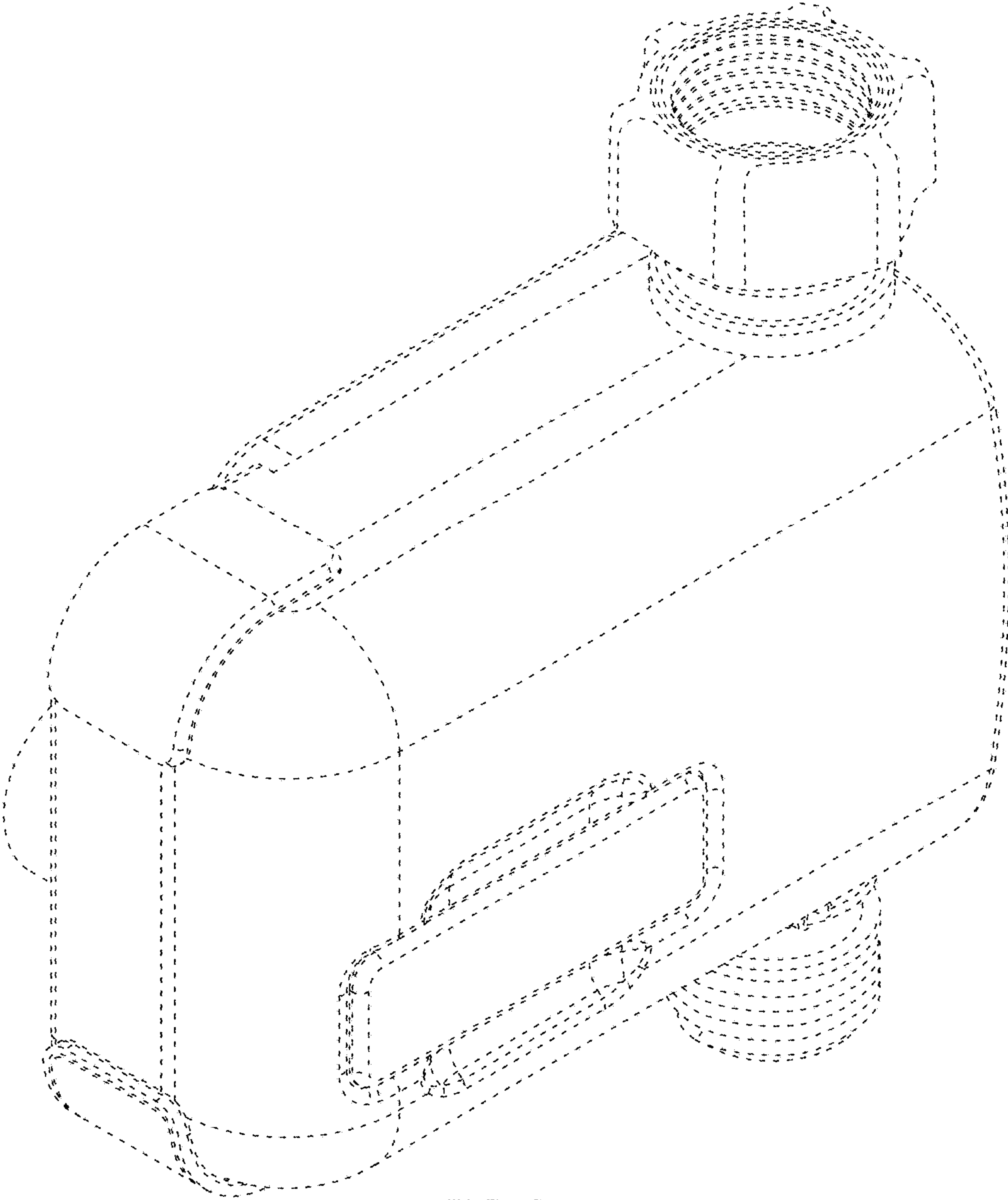


**FIG. 1**

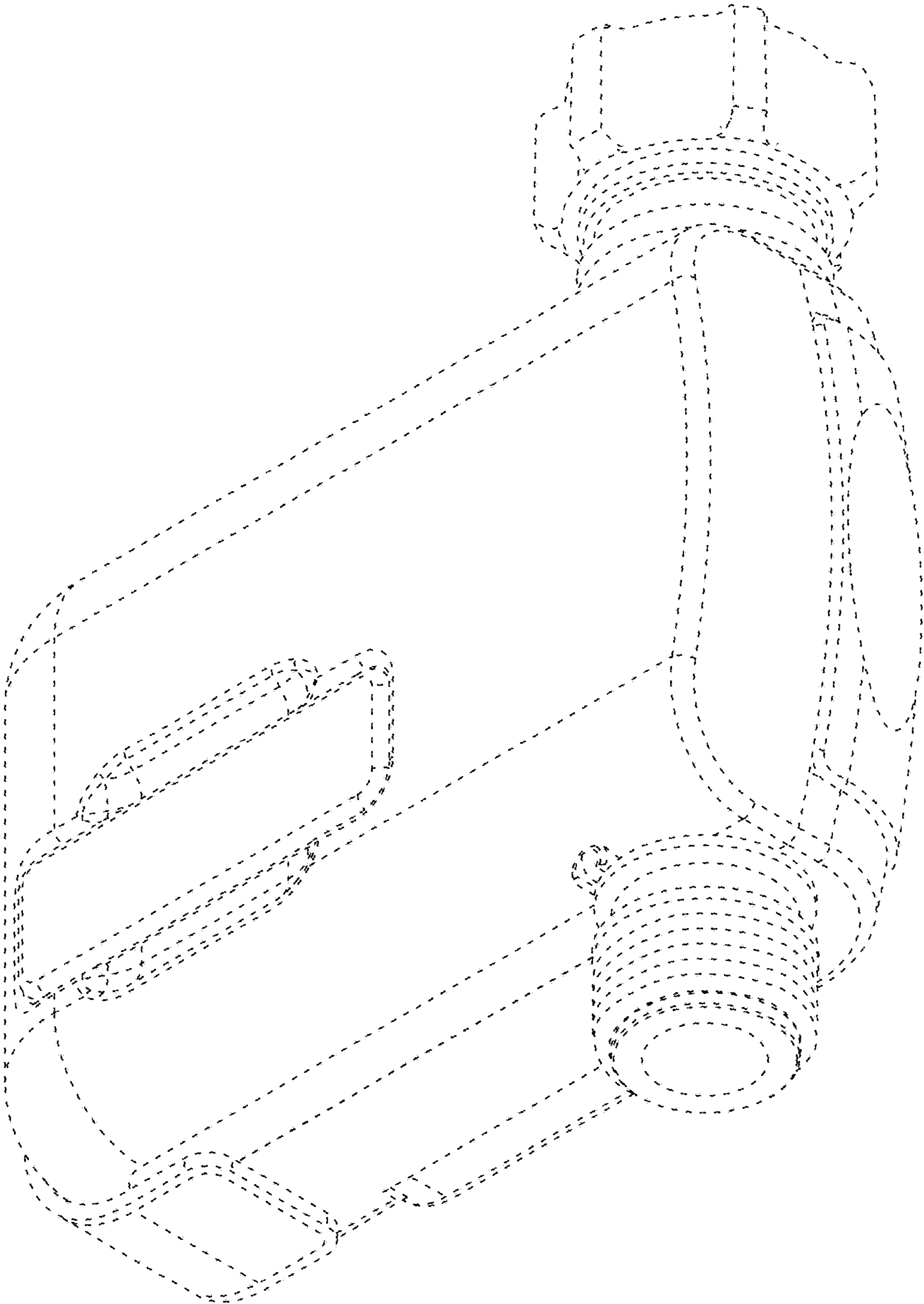




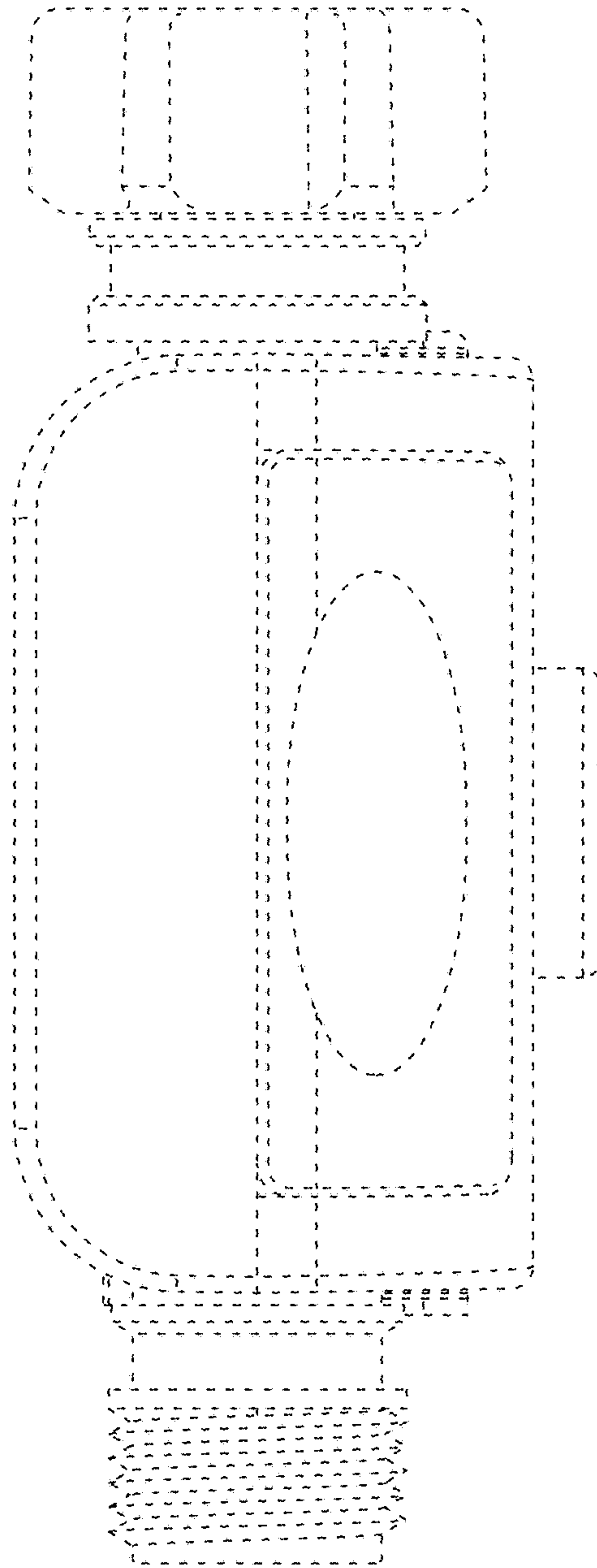
**FIG. 2**



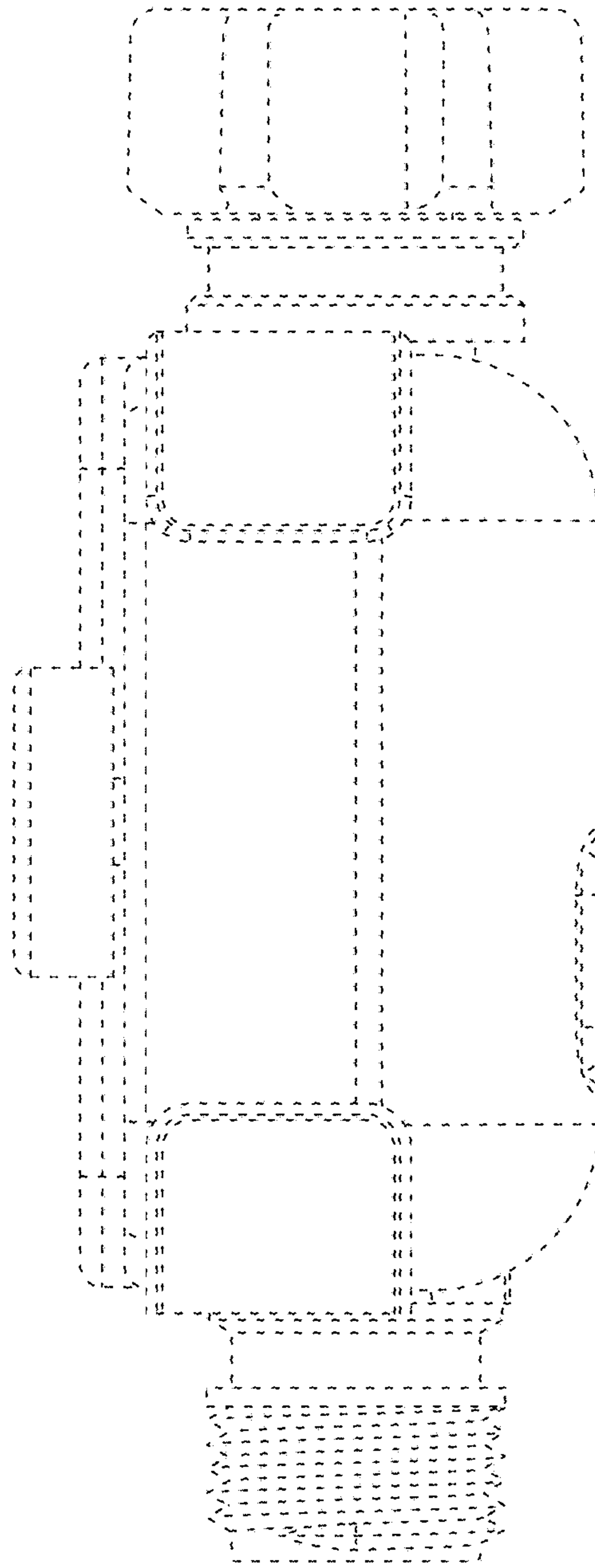
**FIG. 3**



**FIG. 4**



**FIG. 5**



**FIG. 6**



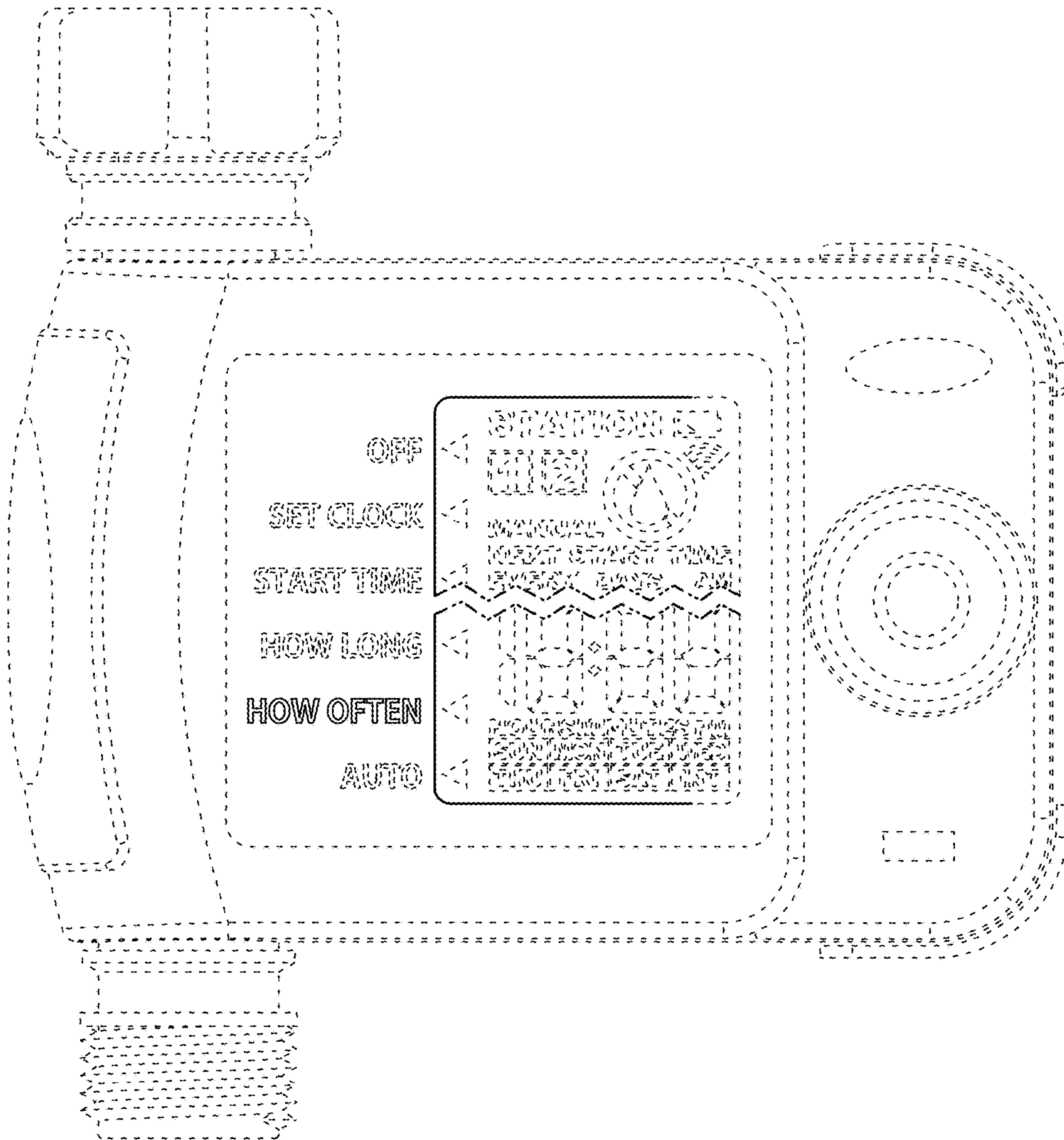
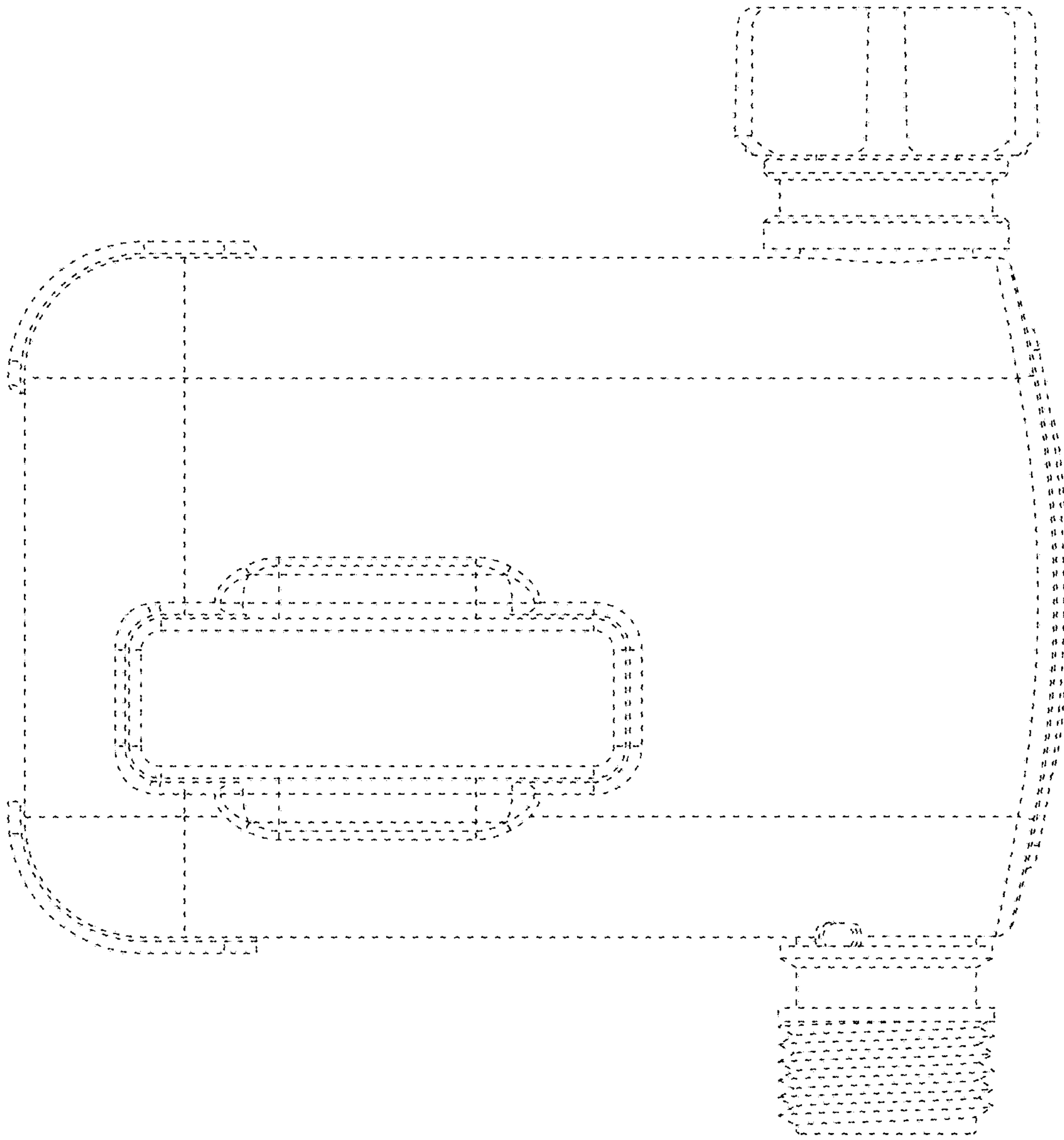
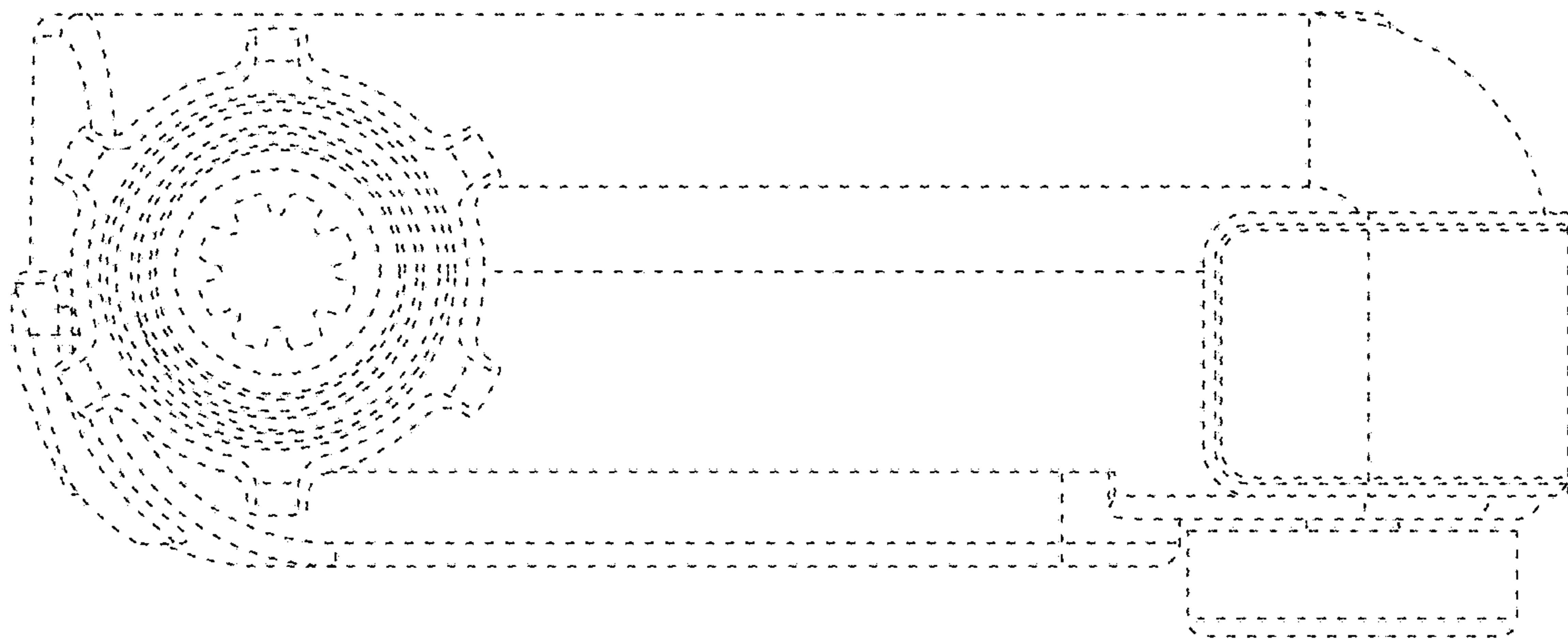


FIG. 7

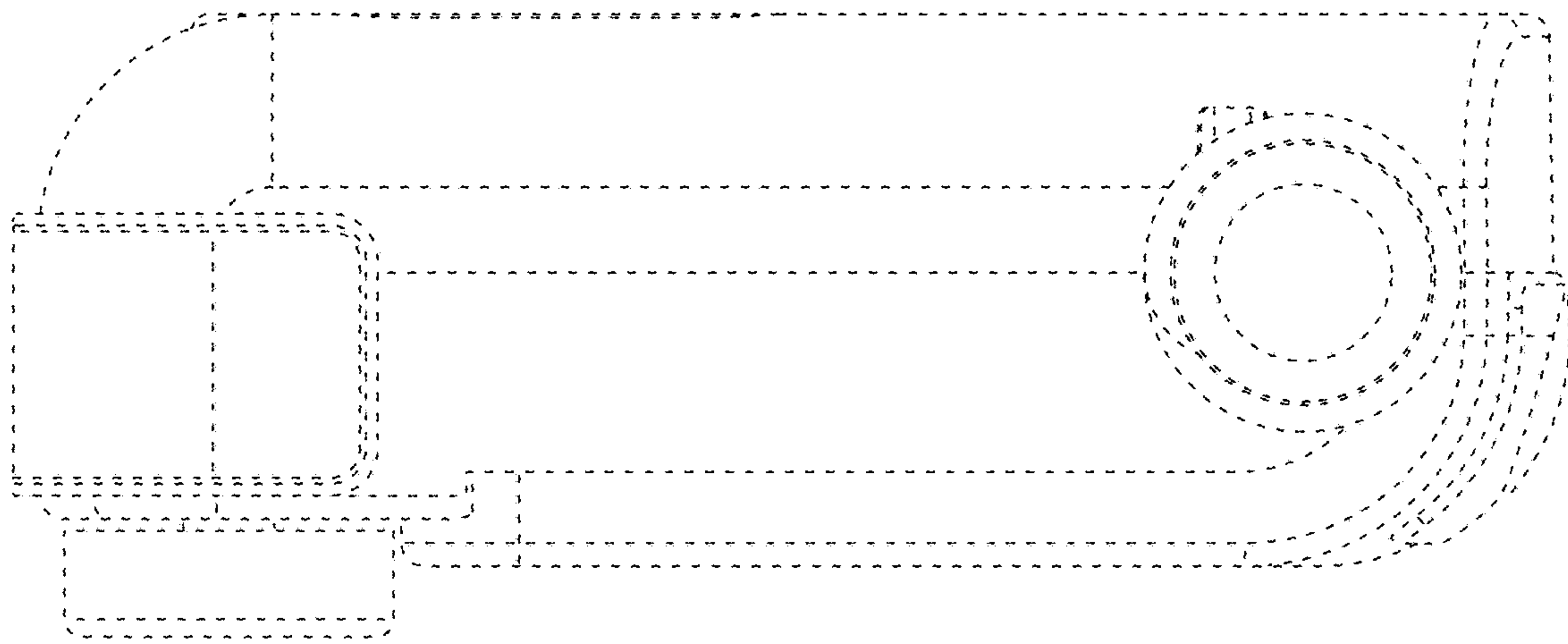


**FIG. 8**



**FIG. 9**





**FIG. 10**

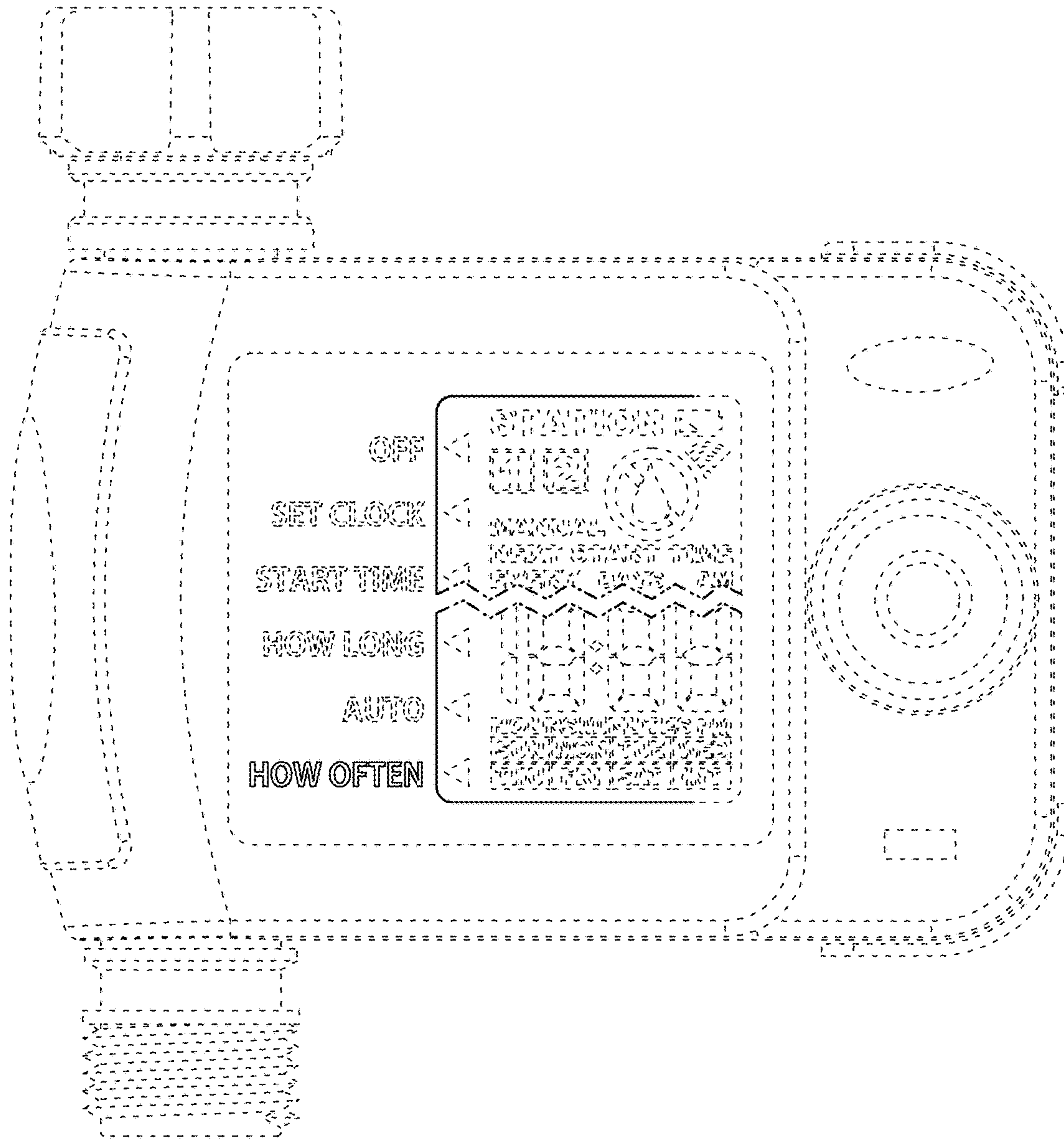


FIG. 11

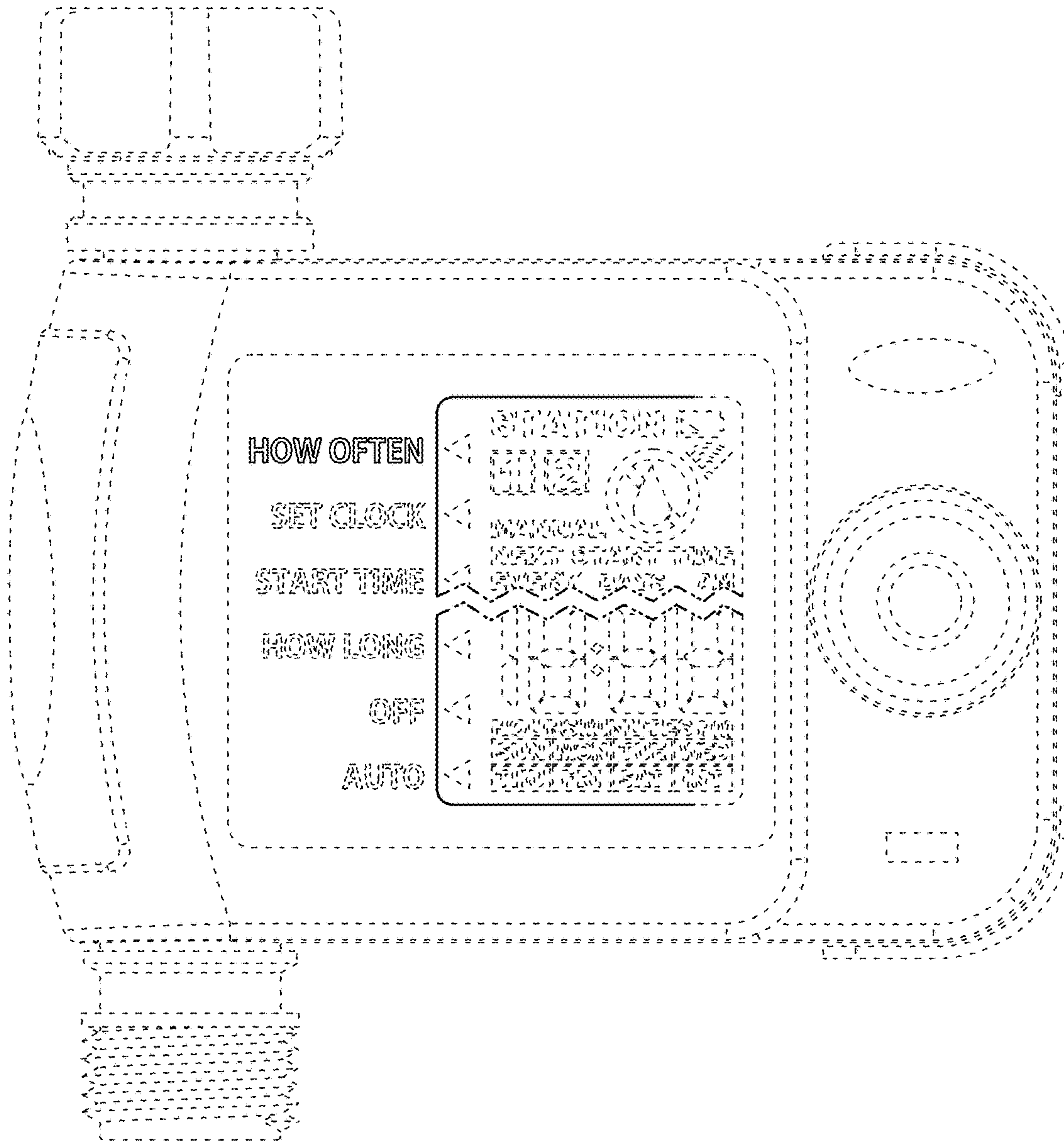


FIG. 12



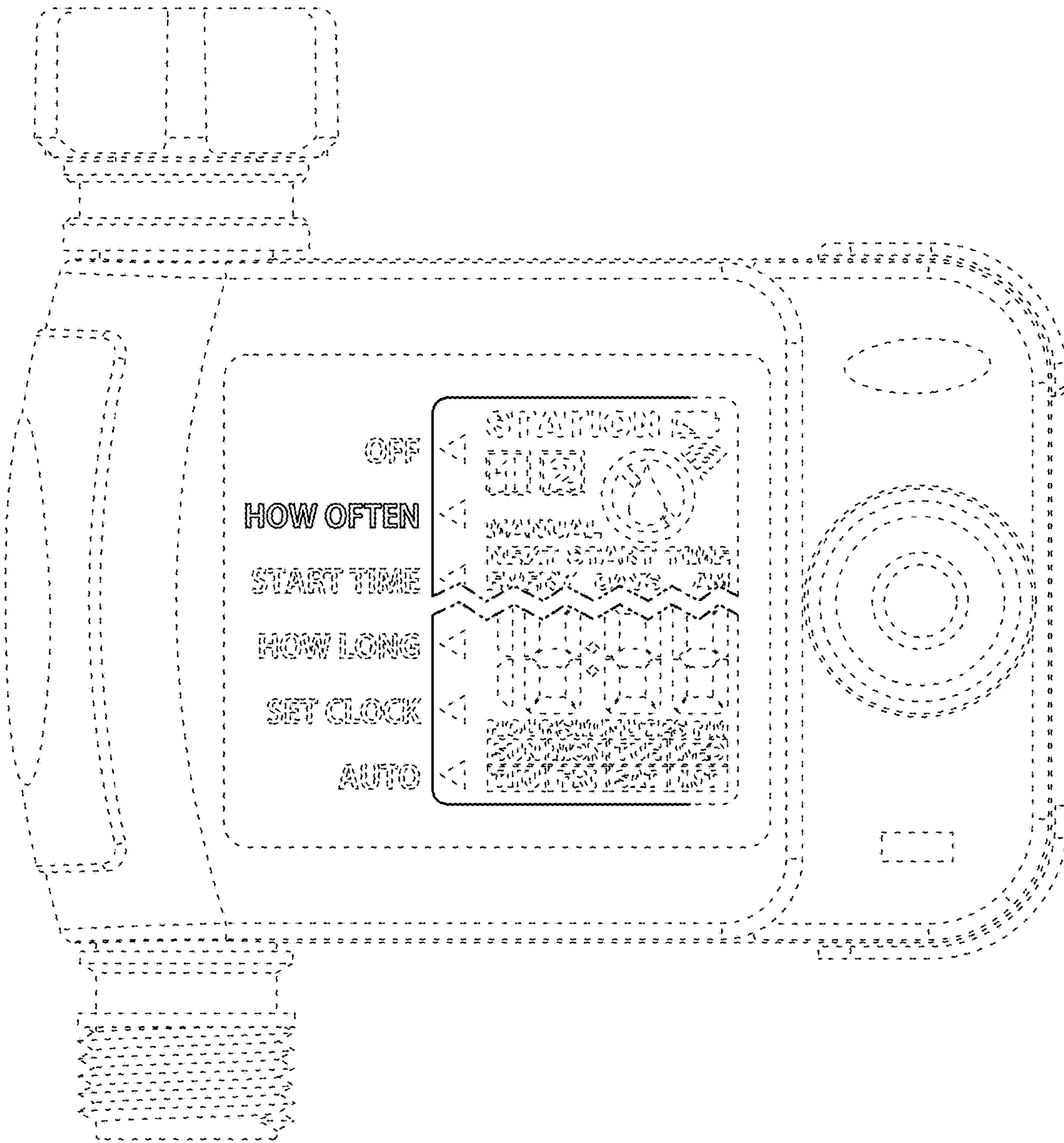


FIG. 13

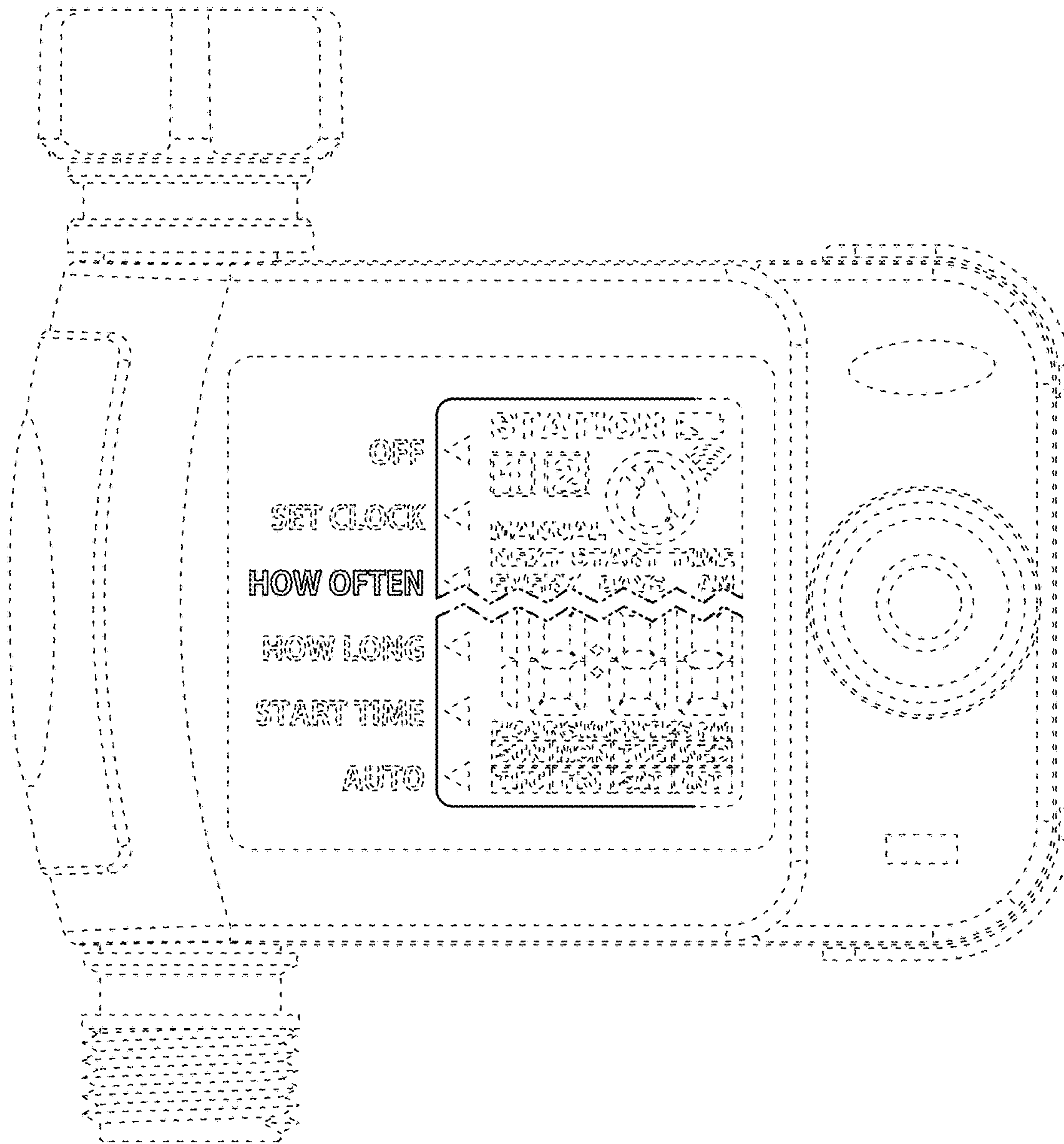


FIG. 14

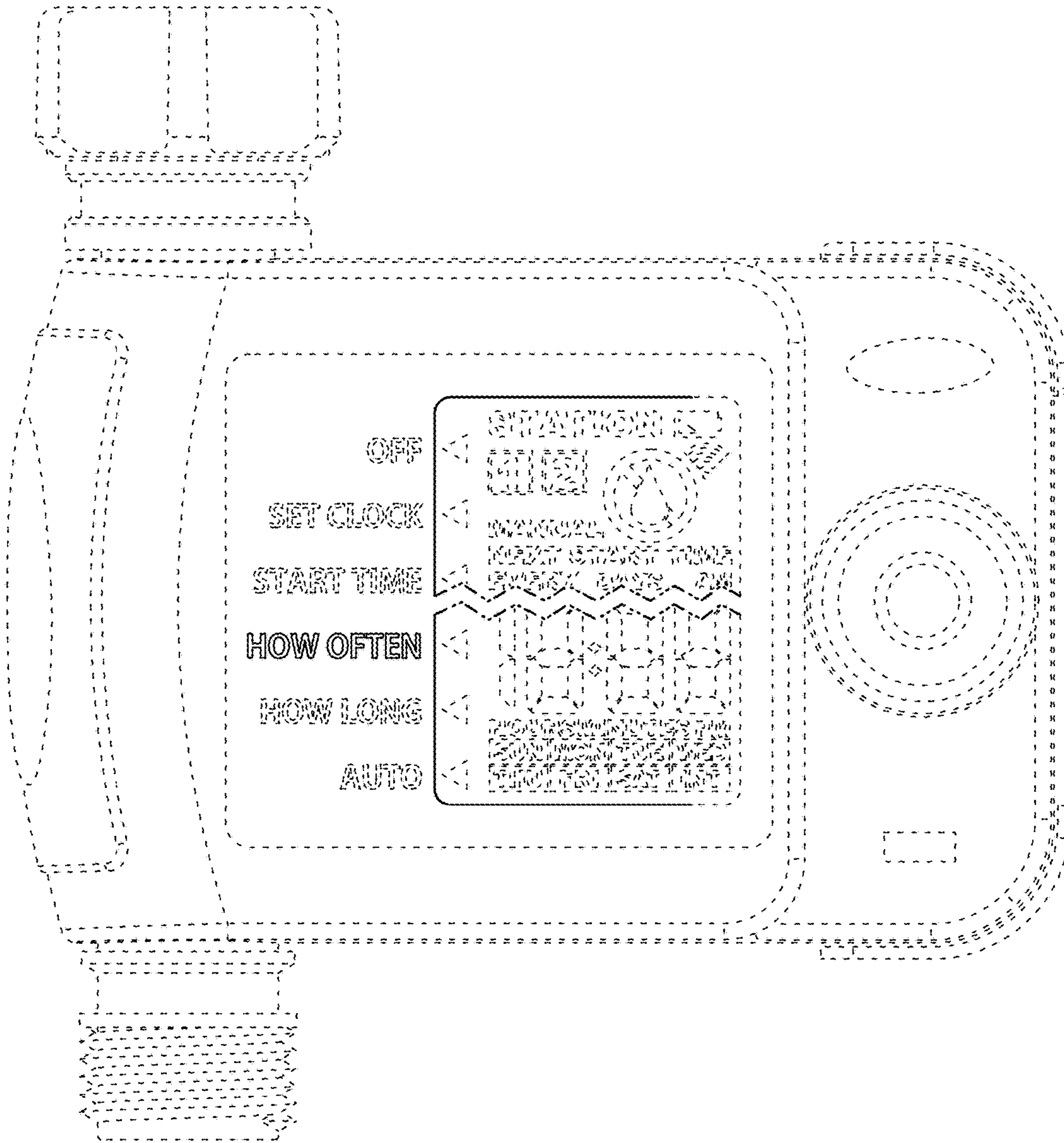
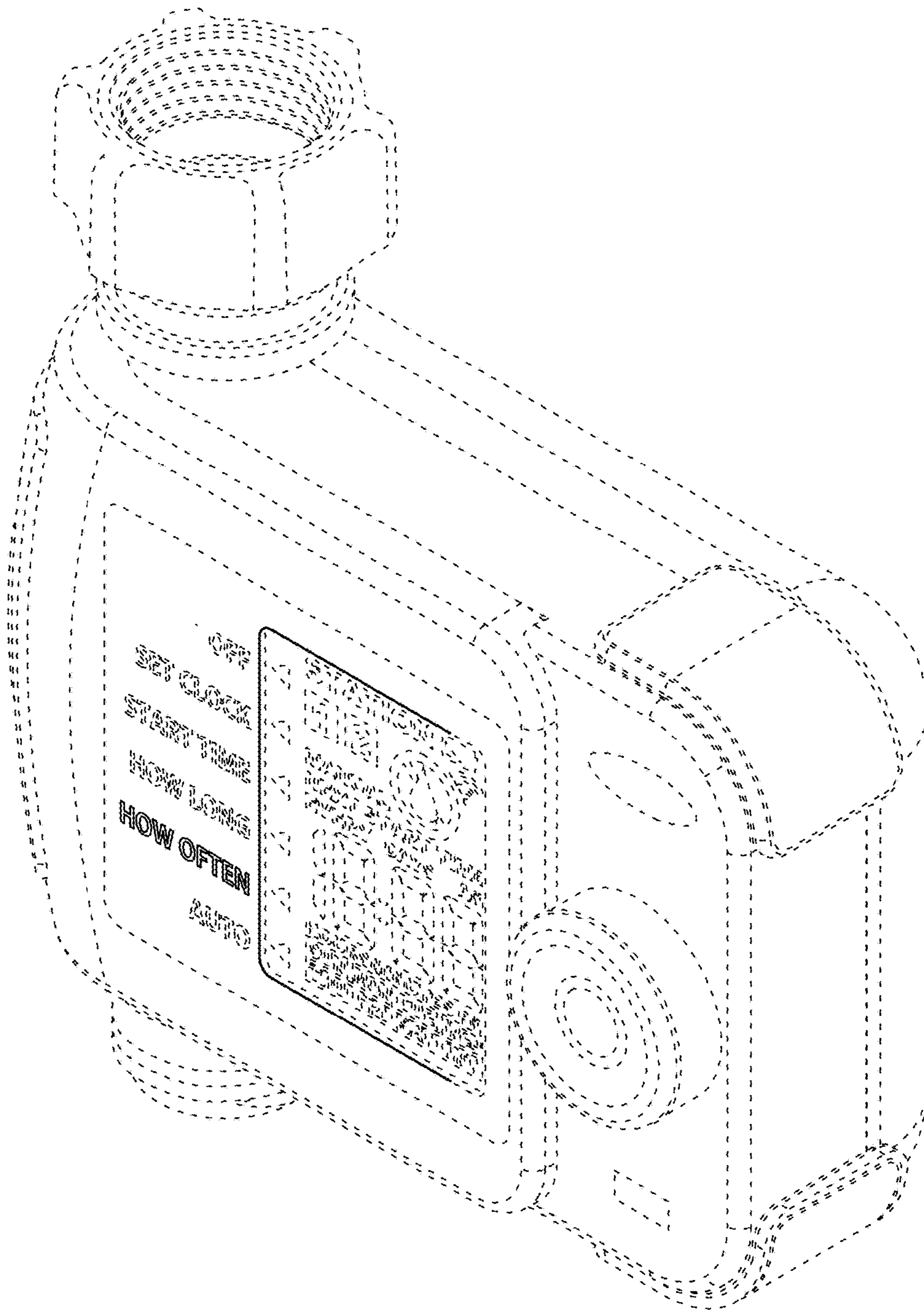
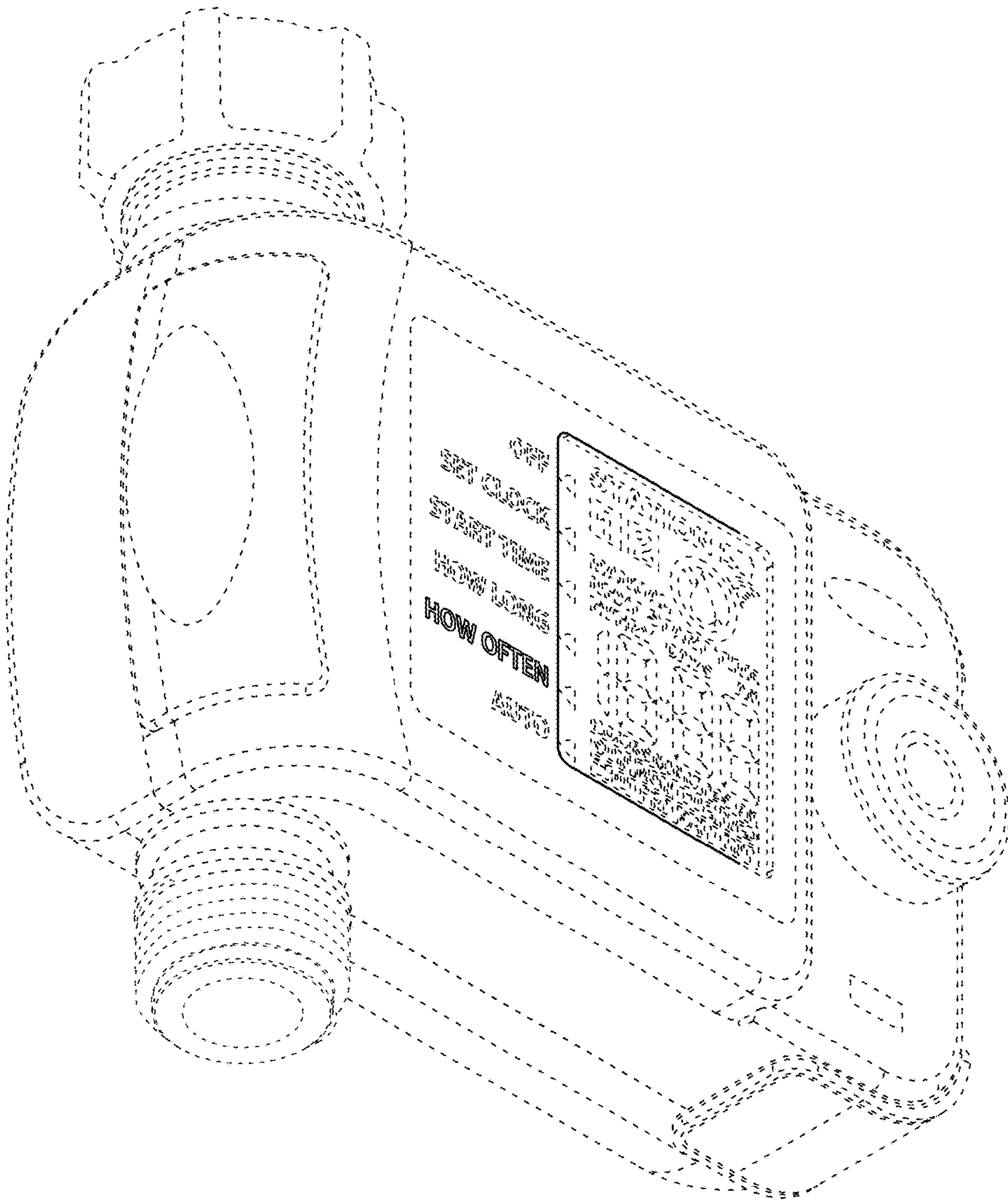


FIG. 15

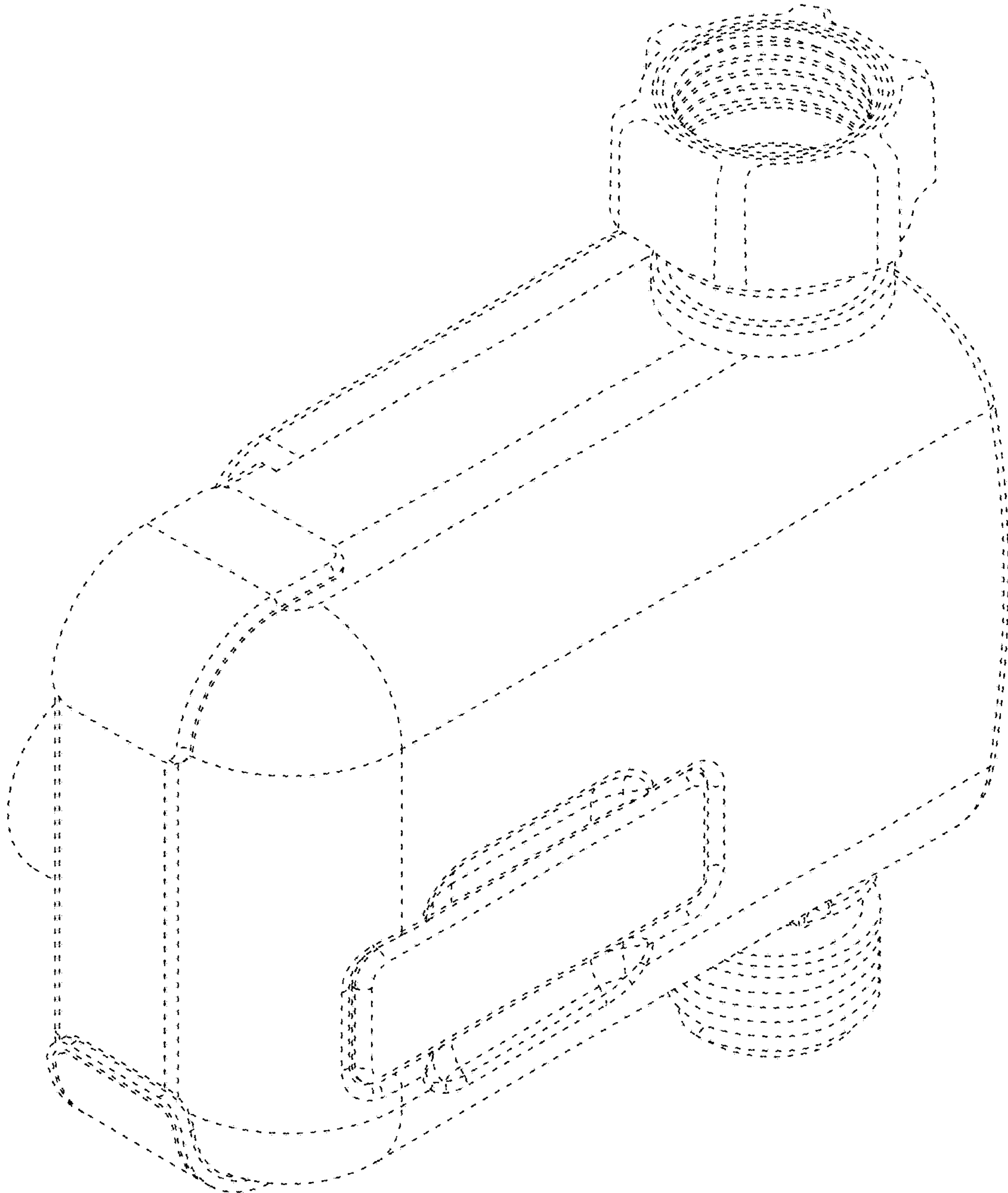




**FIG. 16**

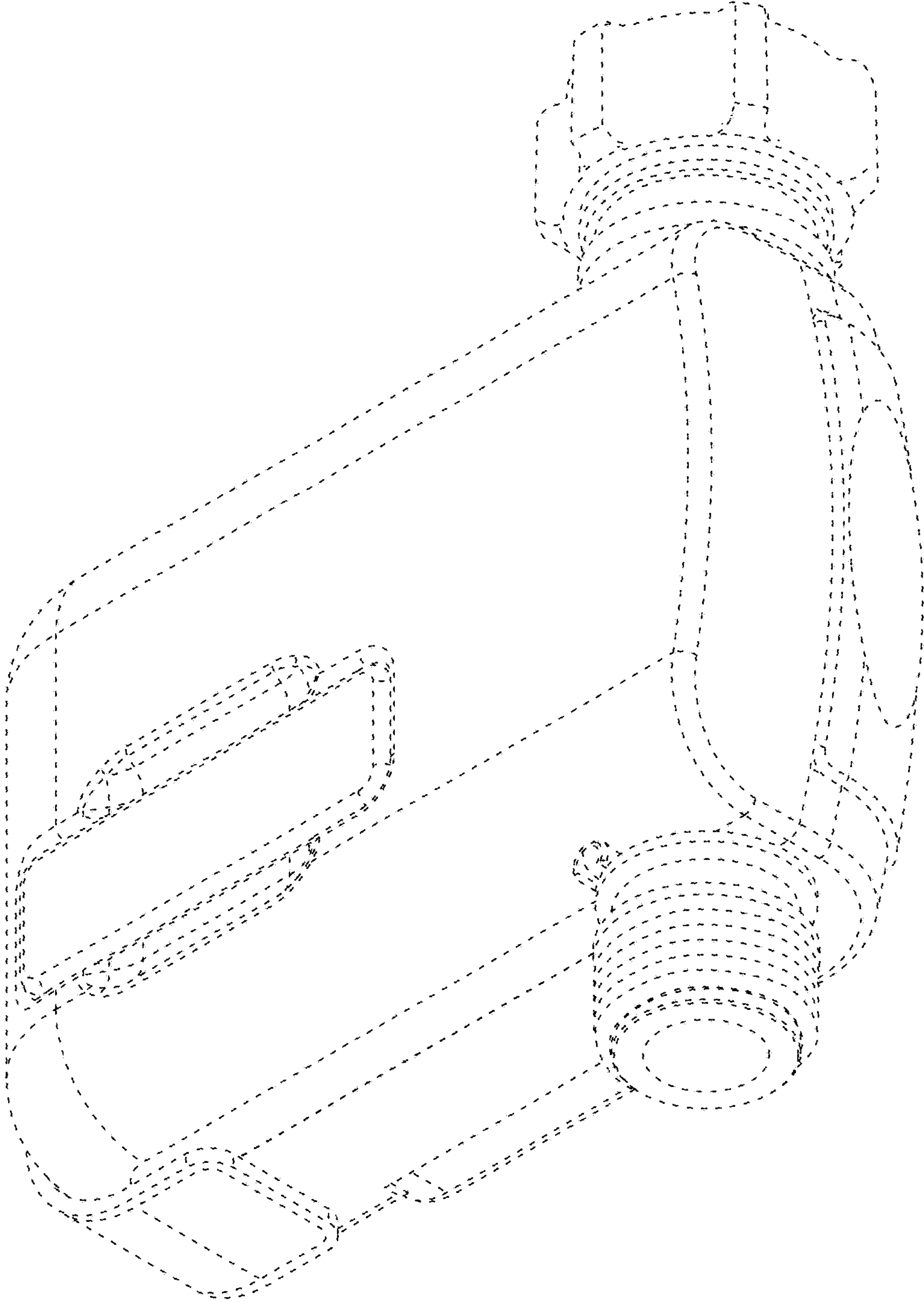


**FIG. 17**

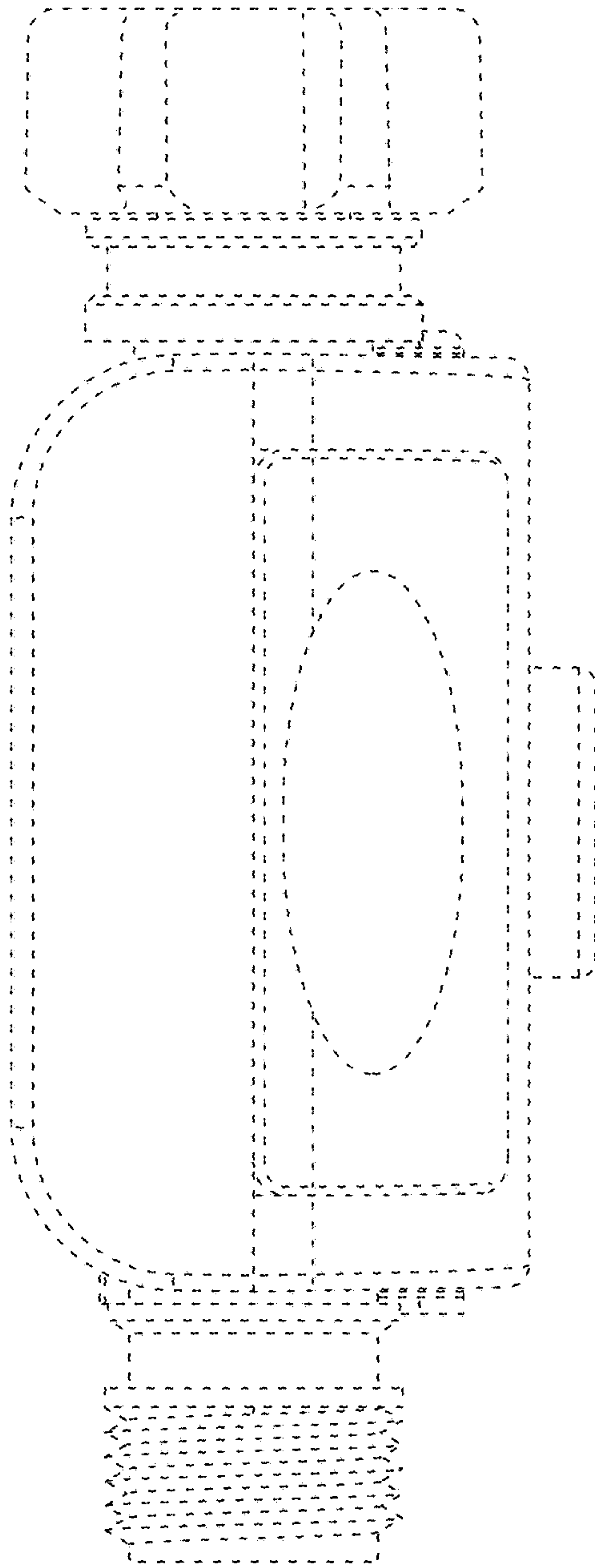


**FIG. 18**

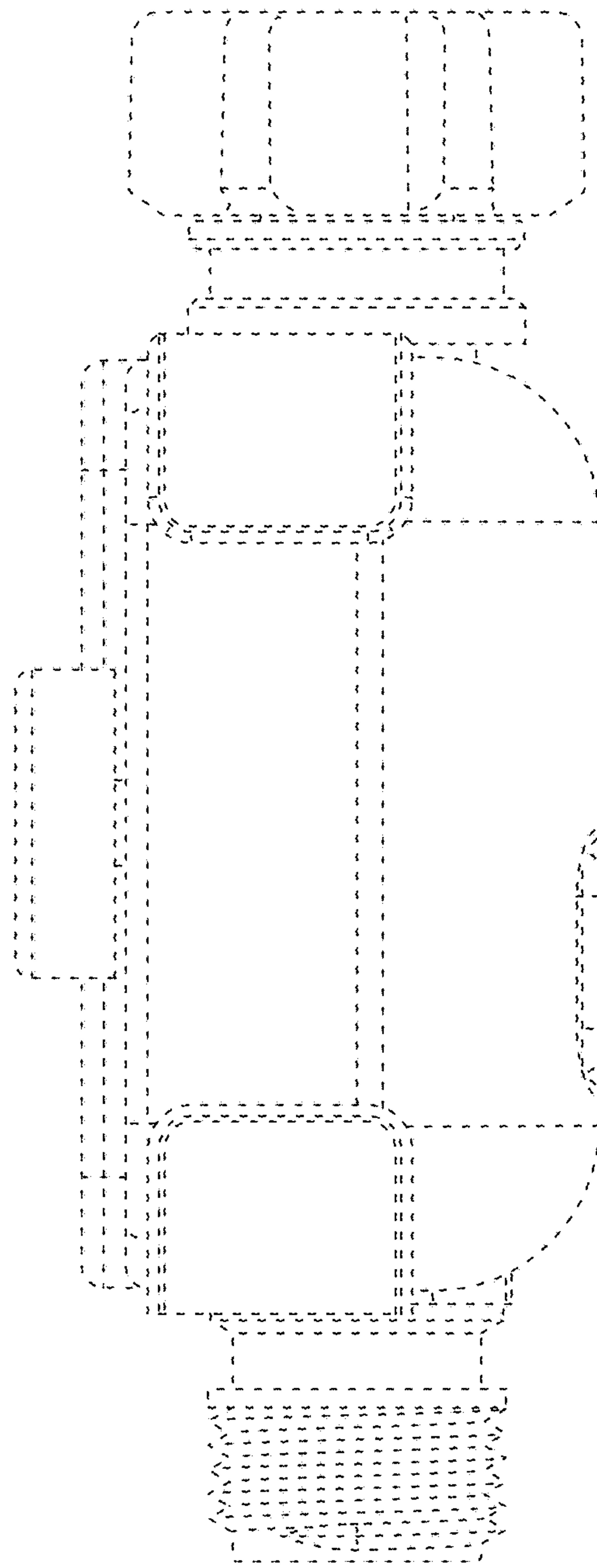




**FIG. 19**



**FIG. 20**



**FIG. 21**

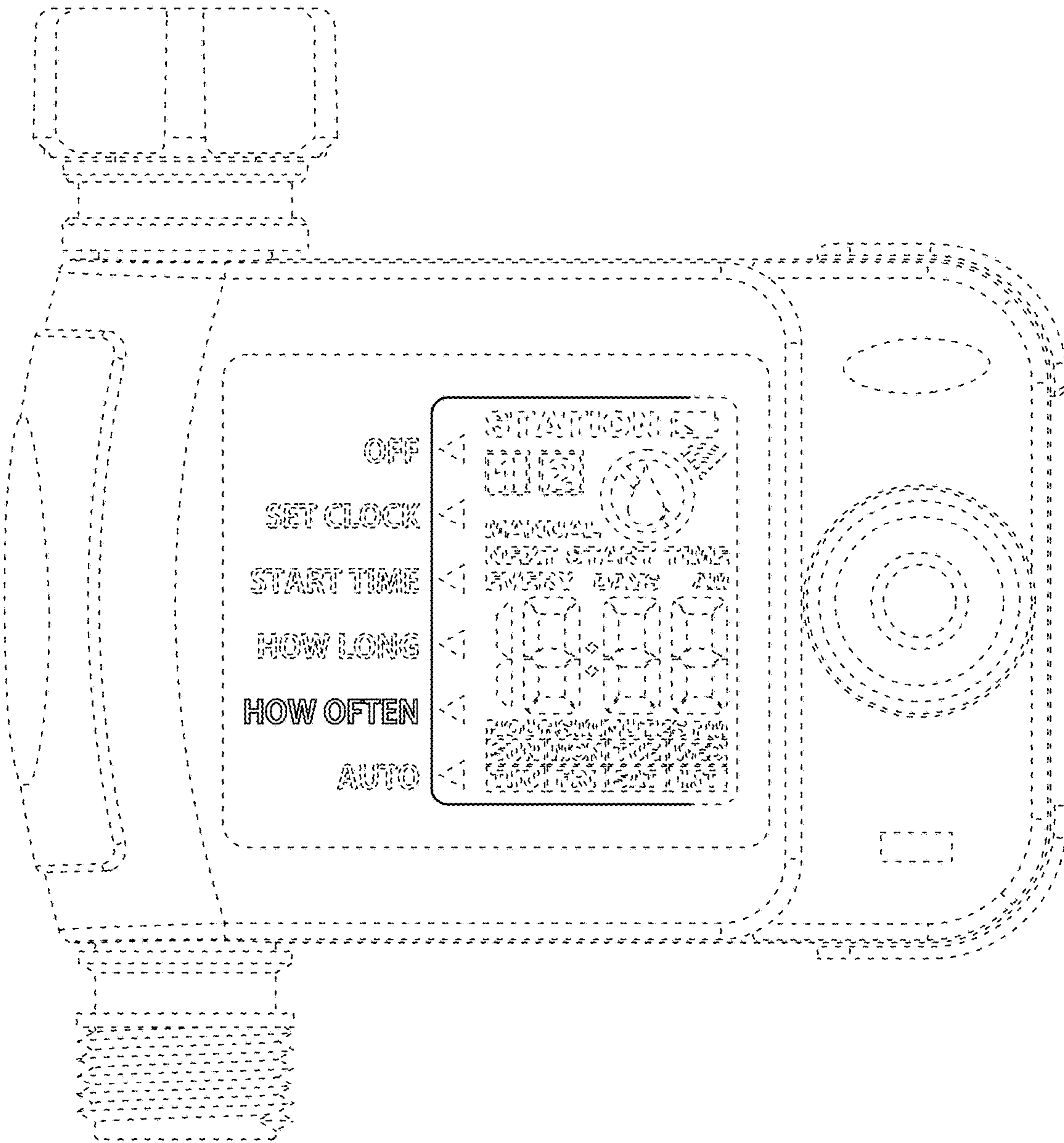


FIG. 22



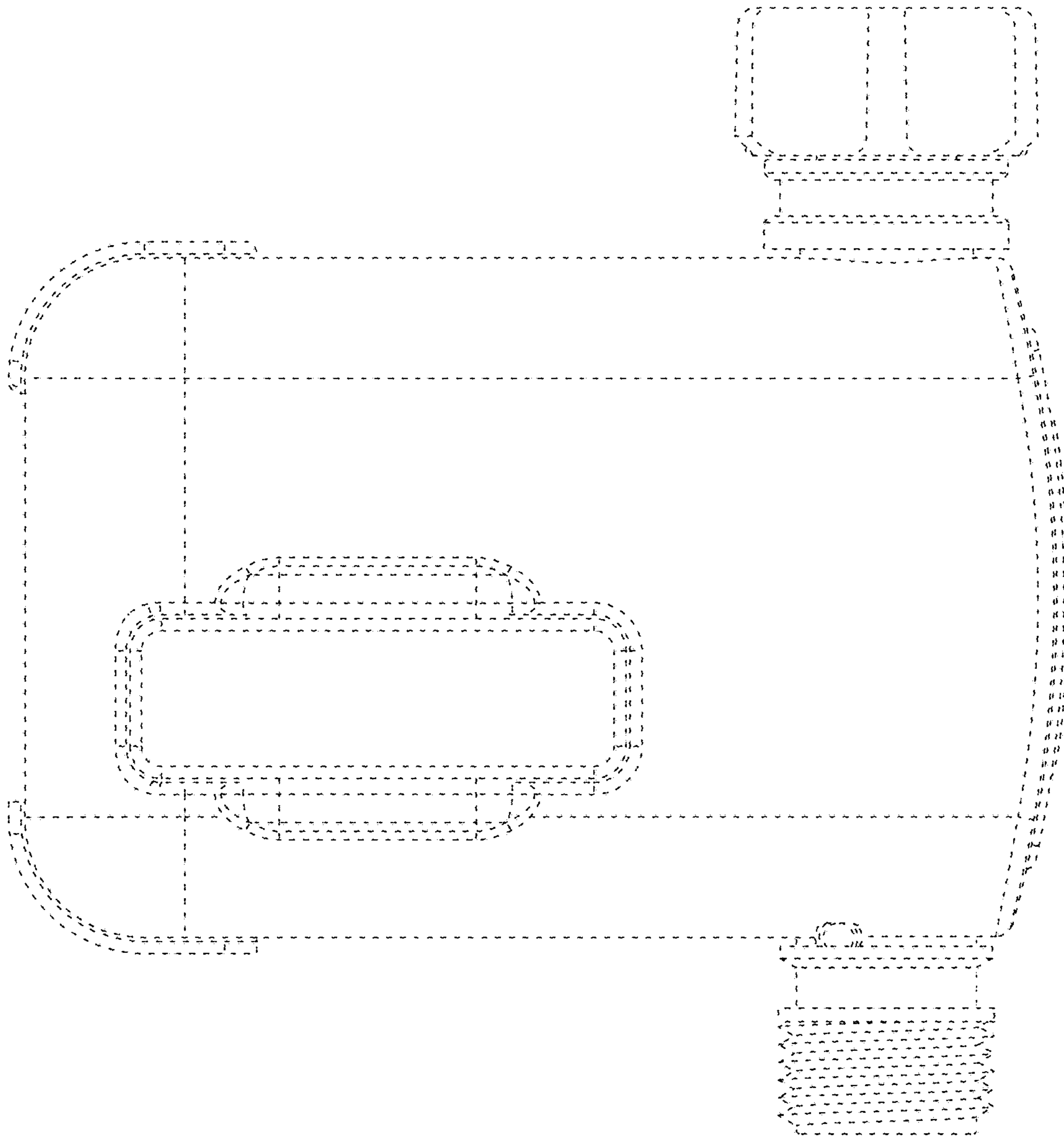
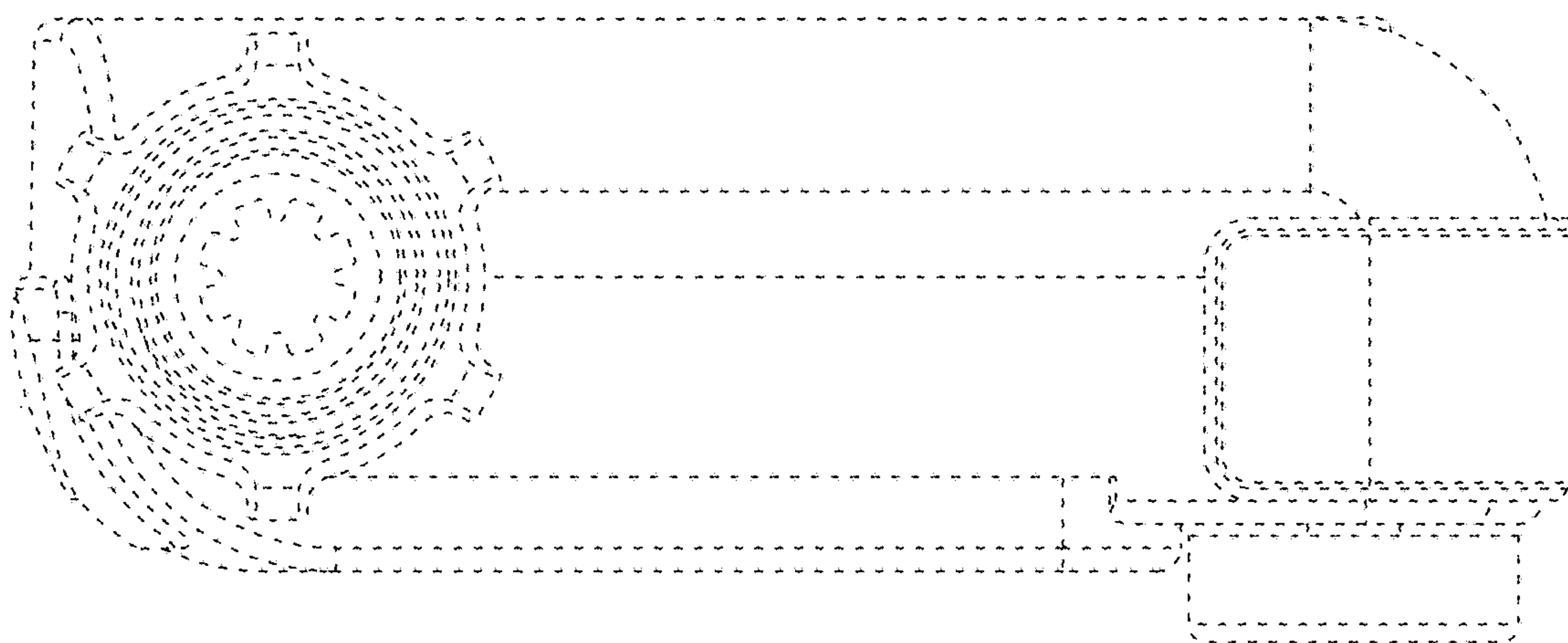
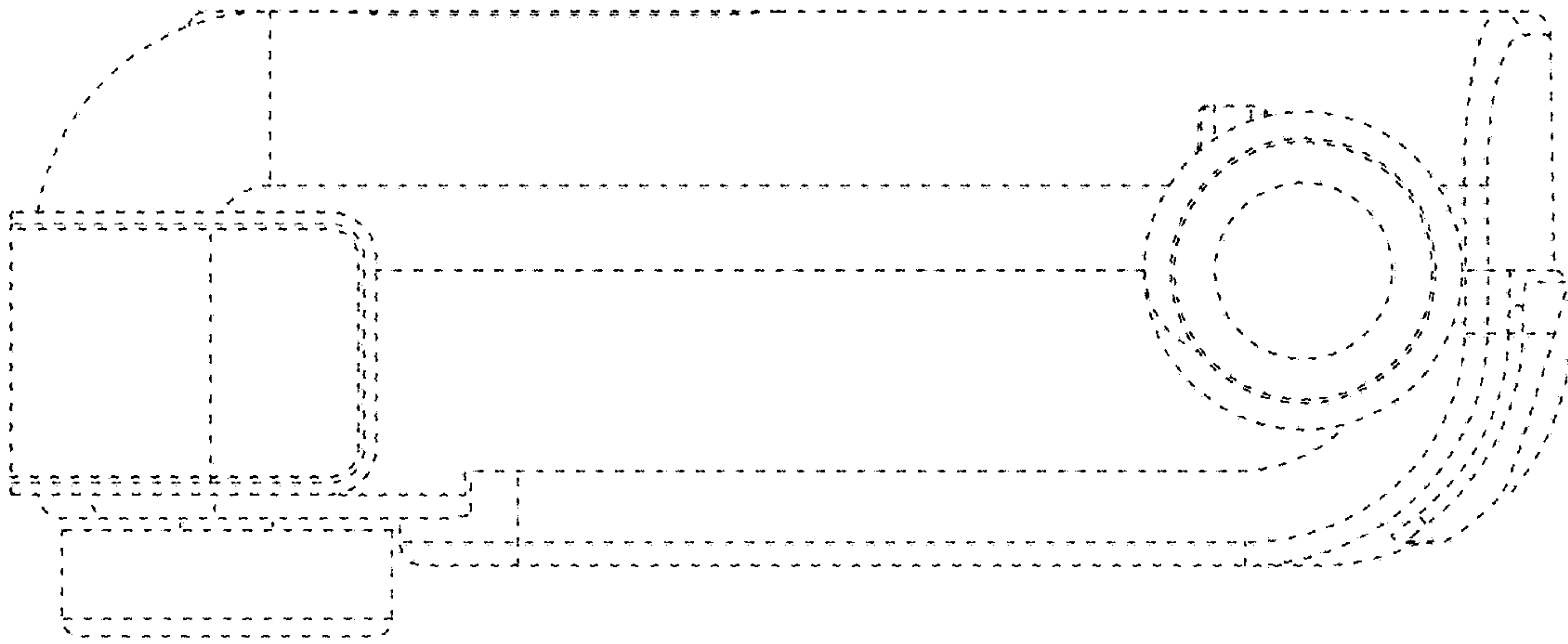


FIG. 23



**FIG. 24**



**FIG. 25**

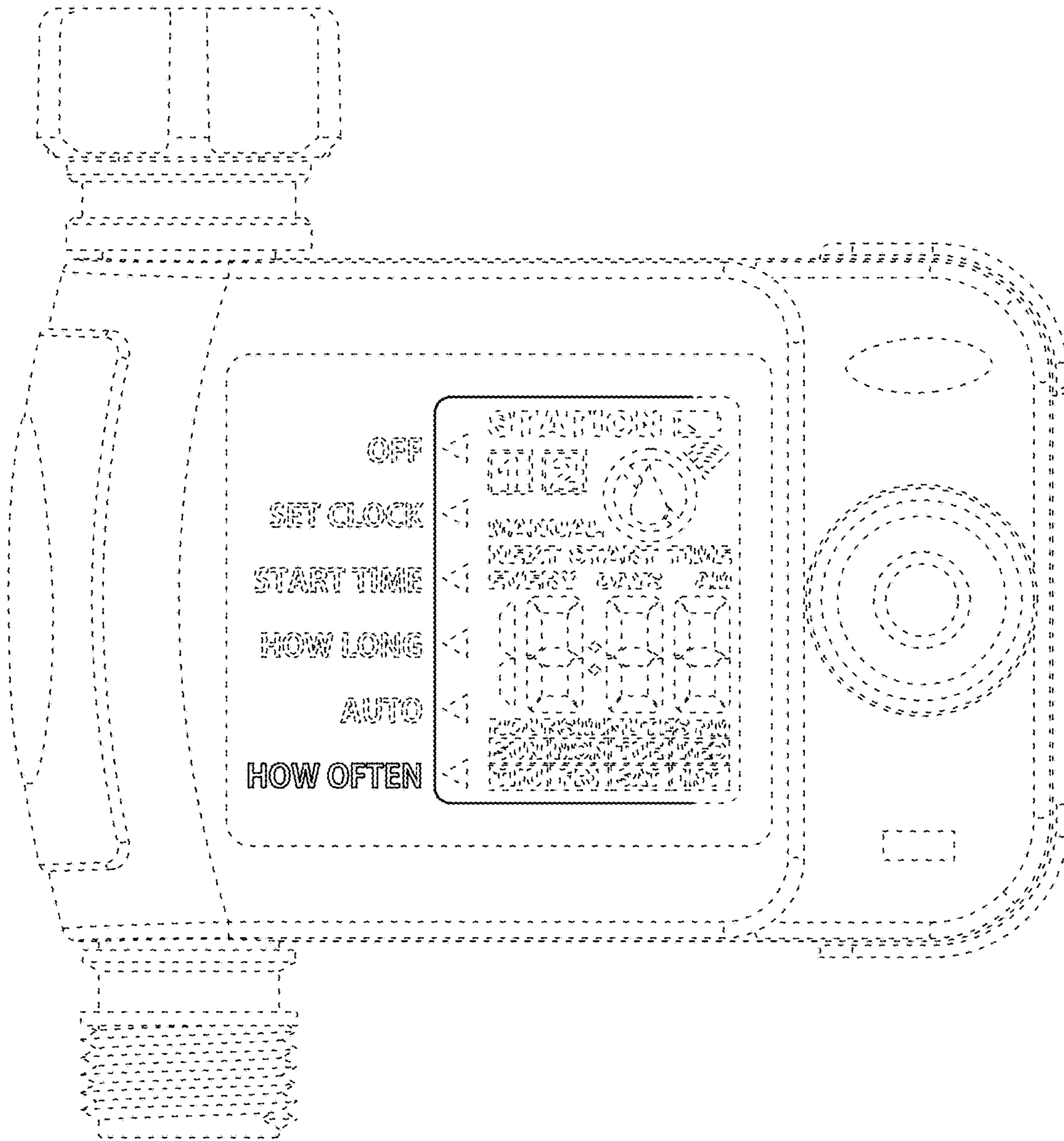


FIG. 26



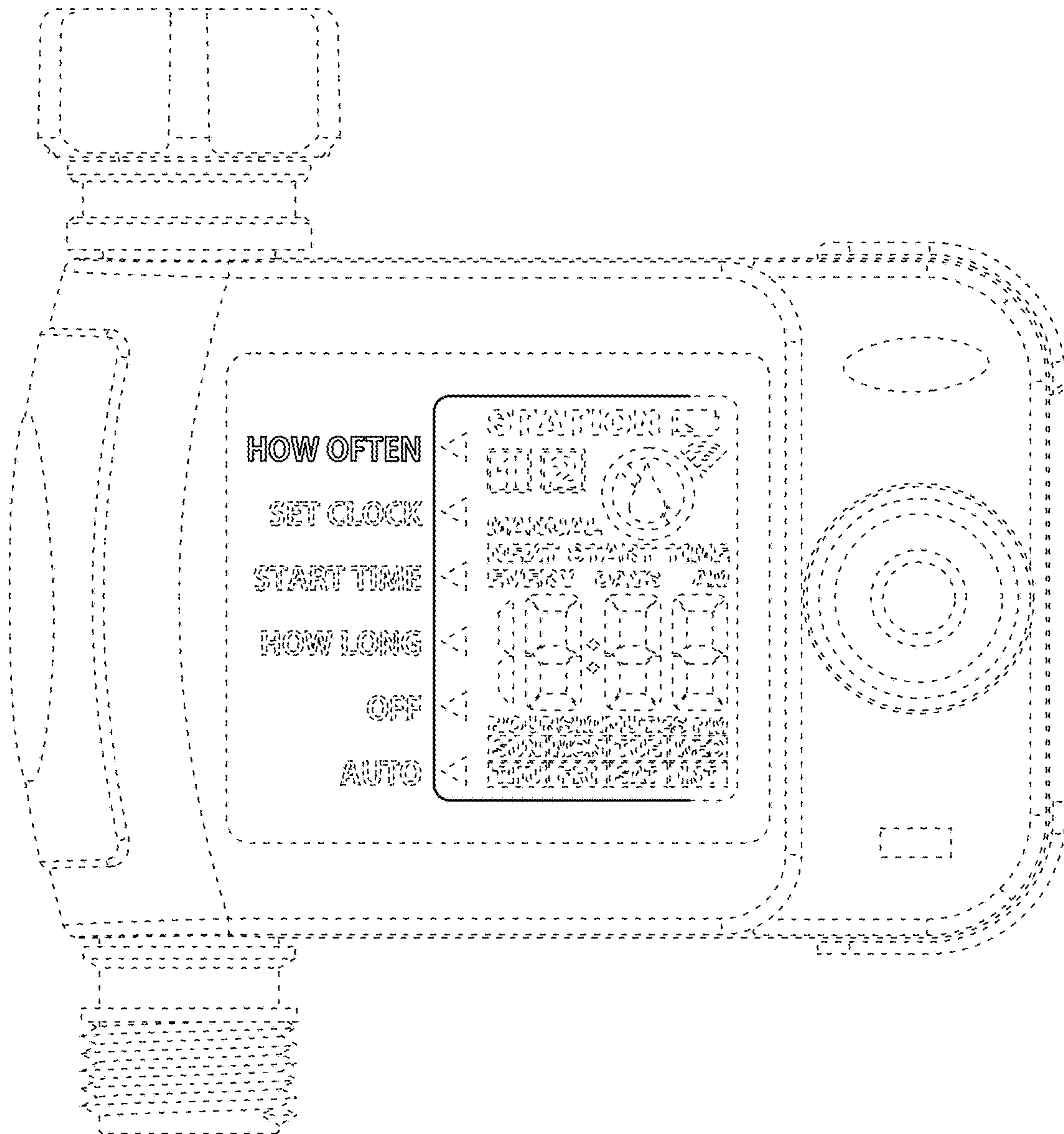


FIG. 27

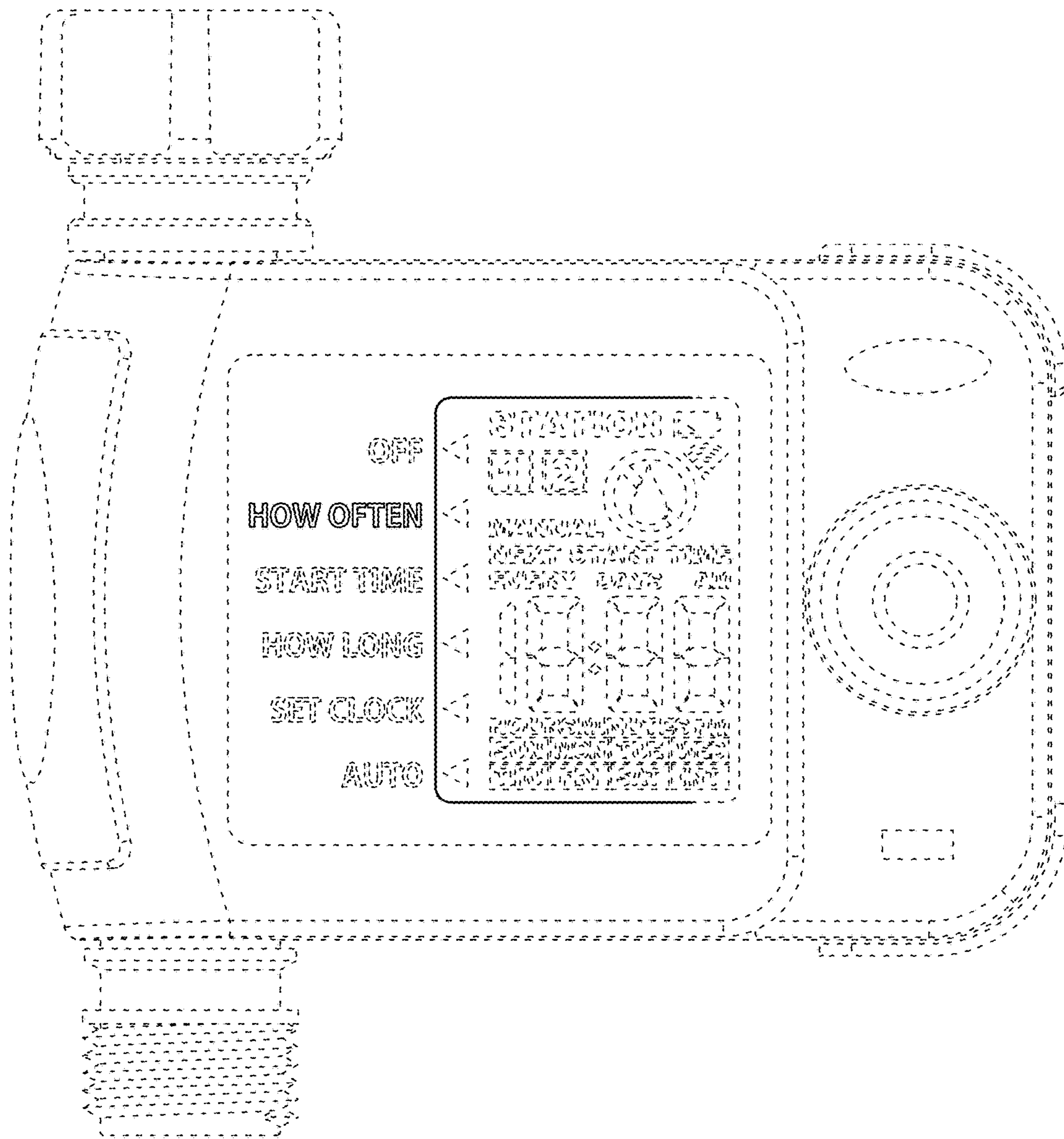


FIG. 28

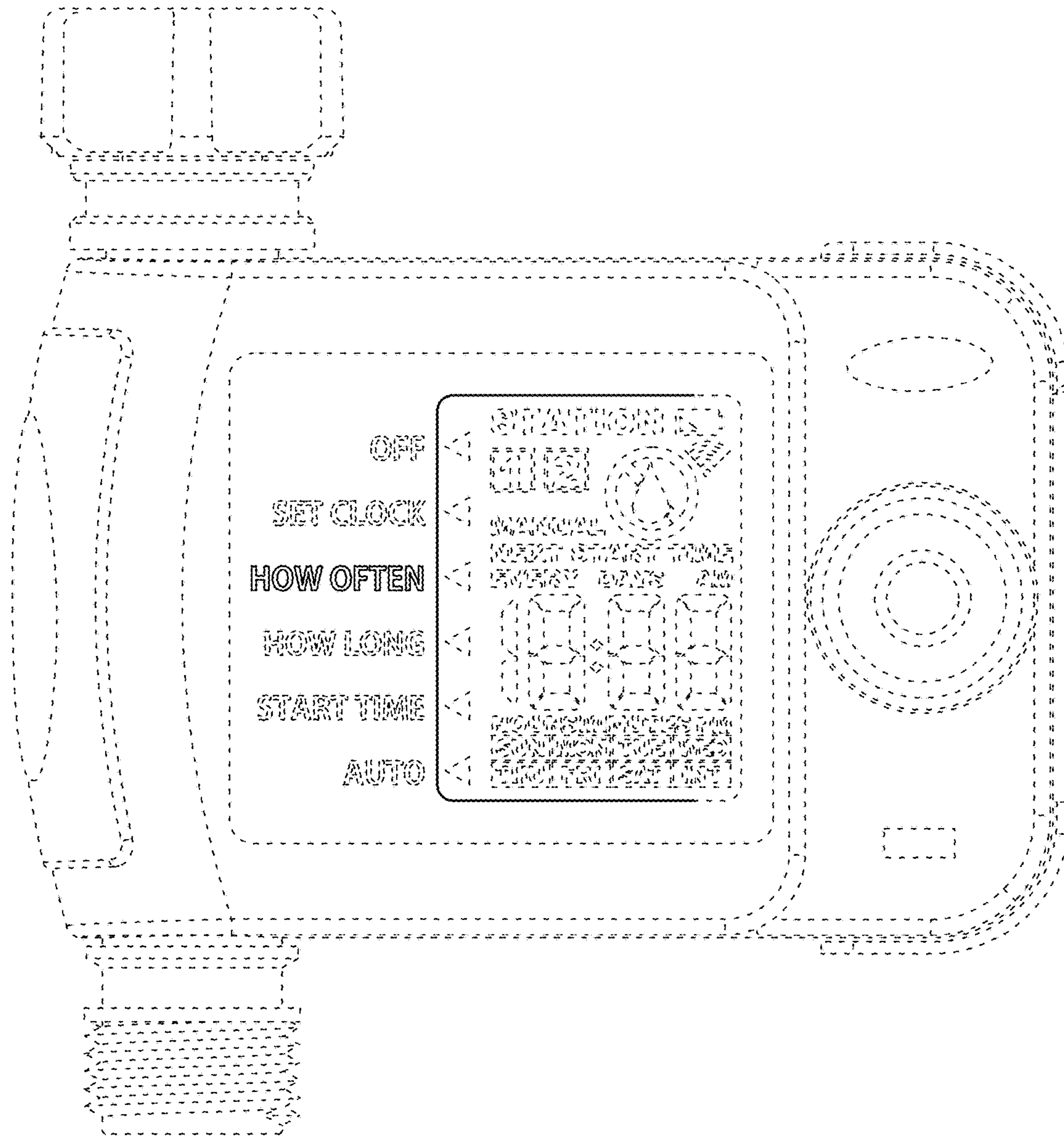


FIG. 29

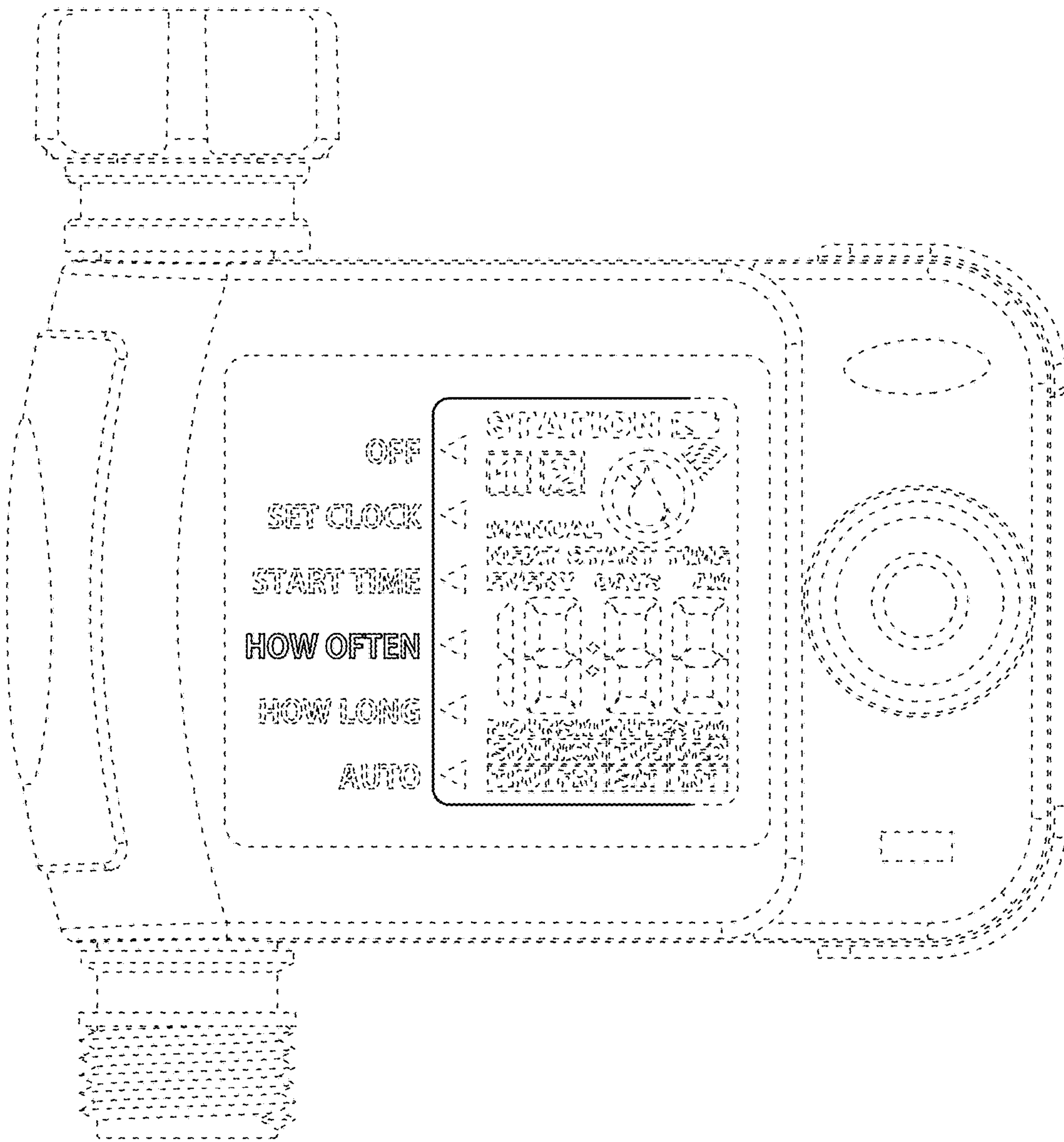


FIG. 30