



US00D857537S

(12) **United States Design Patent**
Achter

(10) **Patent No.:** **US D857,537 S**

(45) **Date of Patent:** **** Aug. 27, 2019**

(54) **TRIAxIAL SENSOR**

G01P 2015/125; G01P 2015/13; G01P 2015/135; G01R 33/0047; G01R 33/34

See application file for complete search history.

(71) Applicant: **PRÜFTECHNIK Dieter Busch AG**,
Ismaning (DE)

(72) Inventor: **Karl Achter**, Ismaning (DE)

(73) Assignee: **PRÜFTECHNIK Dieter Busch AG**,
Ismaning (DE)

(**) Term: **15 Years**

(21) Appl. No.: **29/647,023**

(22) Filed: **May 9, 2018**

(30) **Foreign Application Priority Data**

Feb. 22, 2018 (EP) 004720837

(51) **LOC (12) Cl.** **10-04**

(52) **U.S. Cl.**
USPC **D10/83; D10/85**

(58) **Field of Classification Search**
USPC D10/83, 84, 85
CPC G01P 15/00; G01P 15/001; G01P 15/003;
G01P 15/006; G01P 15/02; G01P 15/03;
G01P 15/04; G01P 15/08; G01P 15/0802;
G01P 2015/0805; G01P 2015/0862; G01P
2015/0885; G01P 2015/0888; G01P
2015/0891; G01P 2015/0894; G01P
2015/0897; G01P 2015/09; G01P
2015/093; G01P 2015/097; G01P
2015/105; G01P 2015/11; G01P 2015/12;

(56) **References Cited**

U.S. PATENT DOCUMENTS

6,295,870 B1 * 10/2001 Hulsing, II F02G 1/044
73/514.29

* cited by examiner

Primary Examiner — Antoine Duval Davis

(74) *Attorney, Agent, or Firm* — Millman IP Inc.

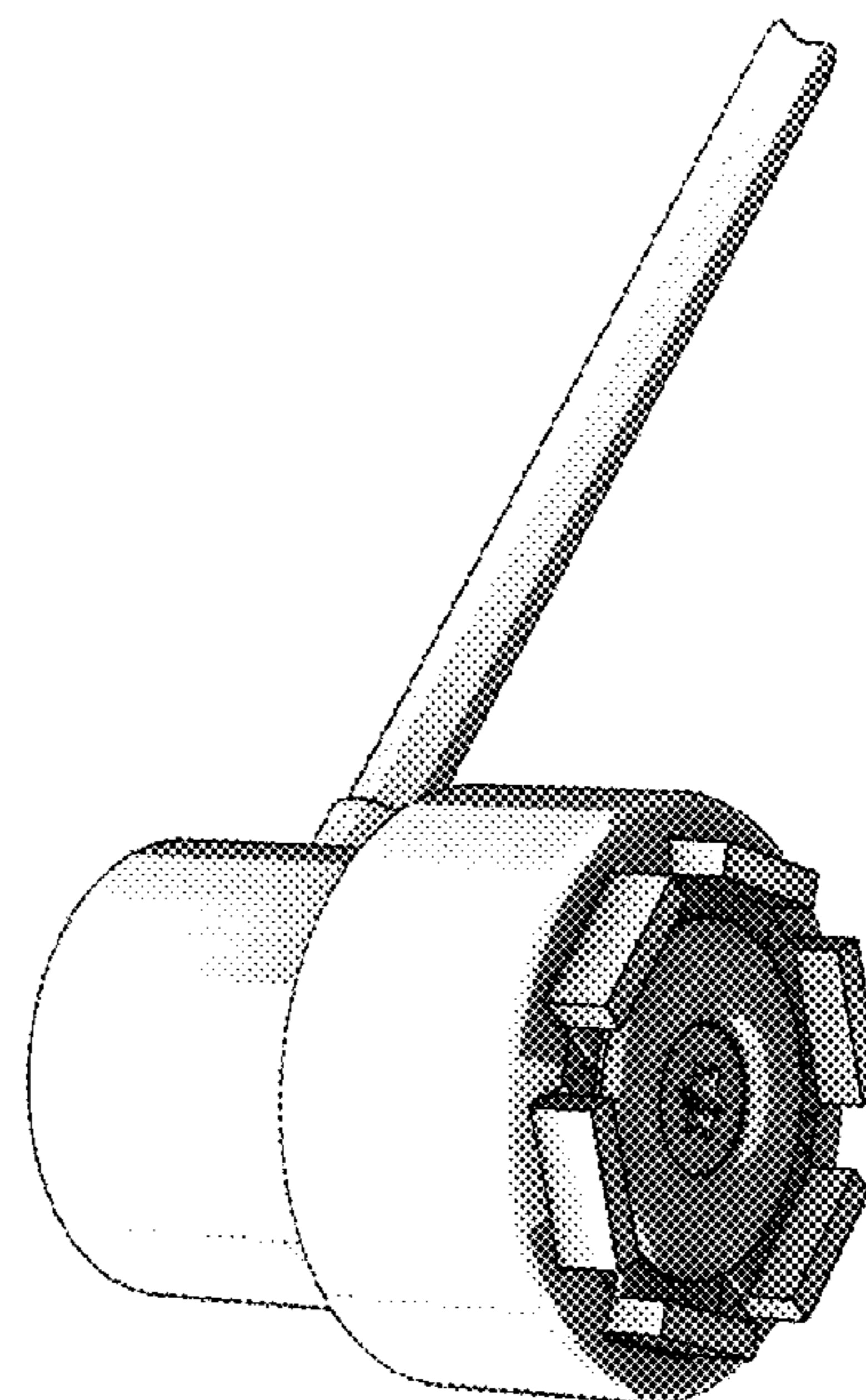
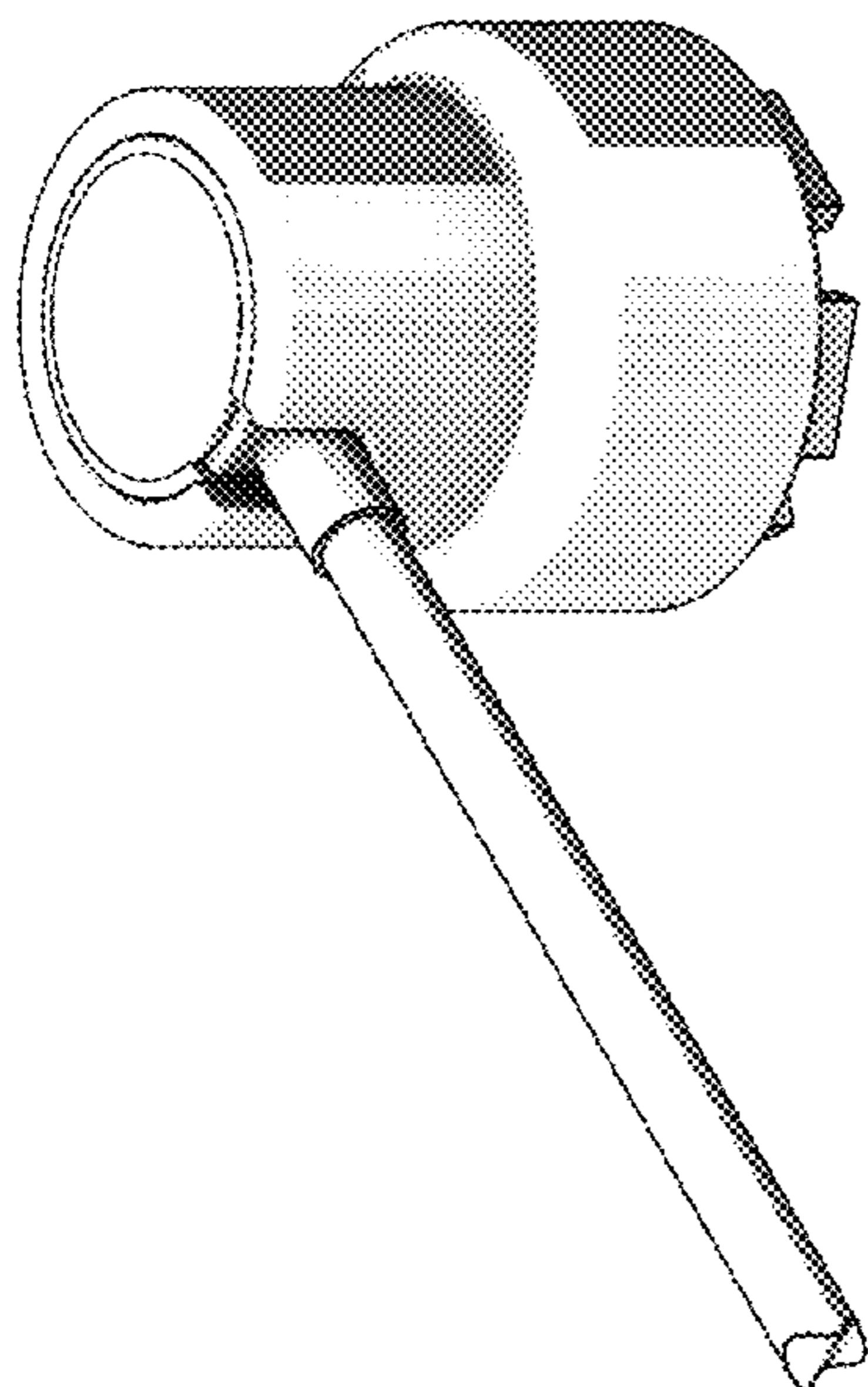
(57) **CLAIM**

The ornamental design for a triaxial sensor, as shown and described.

DESCRIPTION

FIG. 1 is a perspective view from below, to the back and to the right side of a new design for a triaxial sensor;
FIG. 2 is an exploded perspective view from below, to the back and to the right side thereof;
FIG. 3 is a perspective view from above, to the front and to the left side thereof;
FIG. 4 is a perspective view from below and to the right side thereof;
FIG. 5 is a perspective view from above, to the back and to the right side thereof; and,
FIG. 6 is a front elevation view thereof.

1 Claim, 6 Drawing Sheets



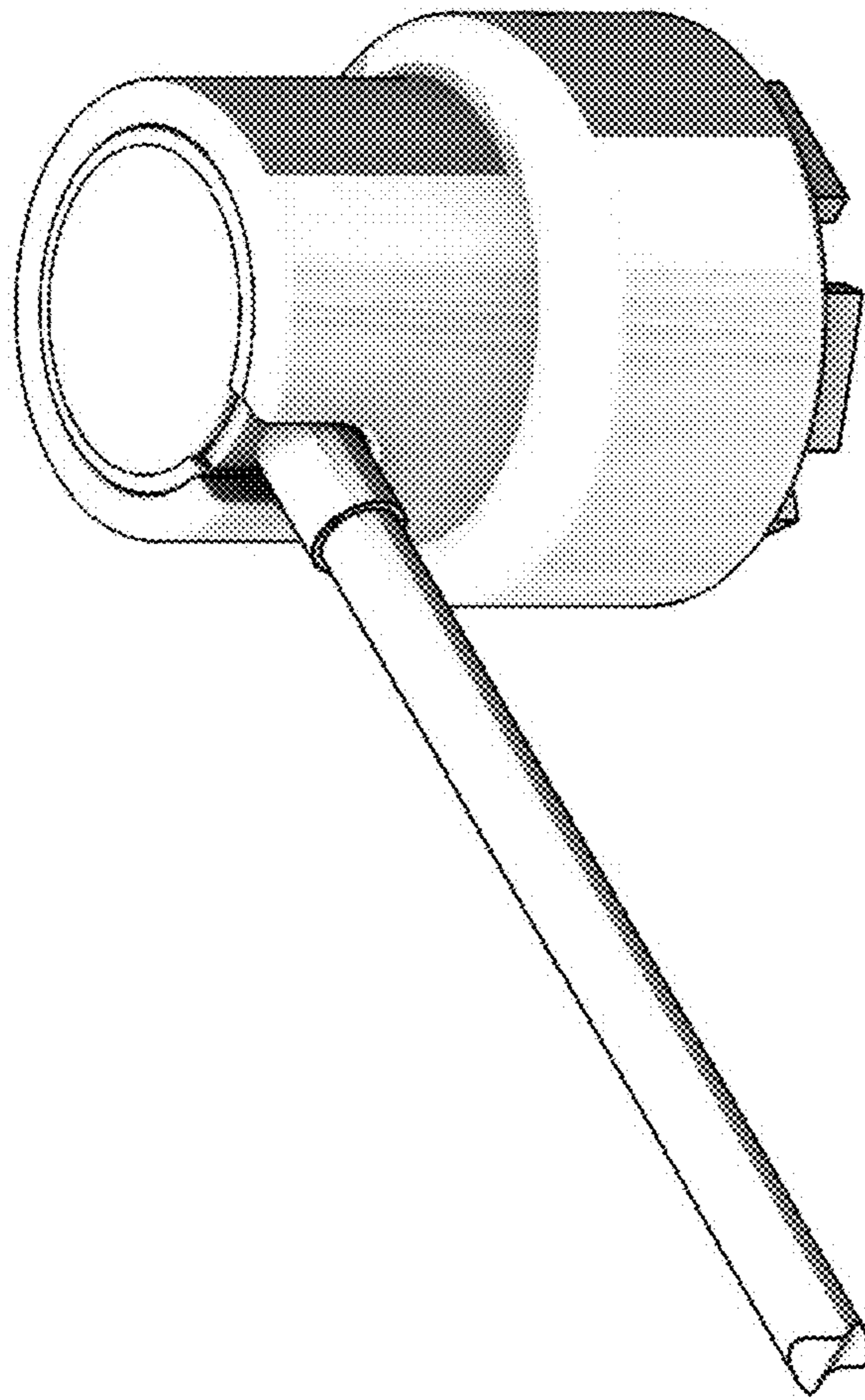


FIG. 1

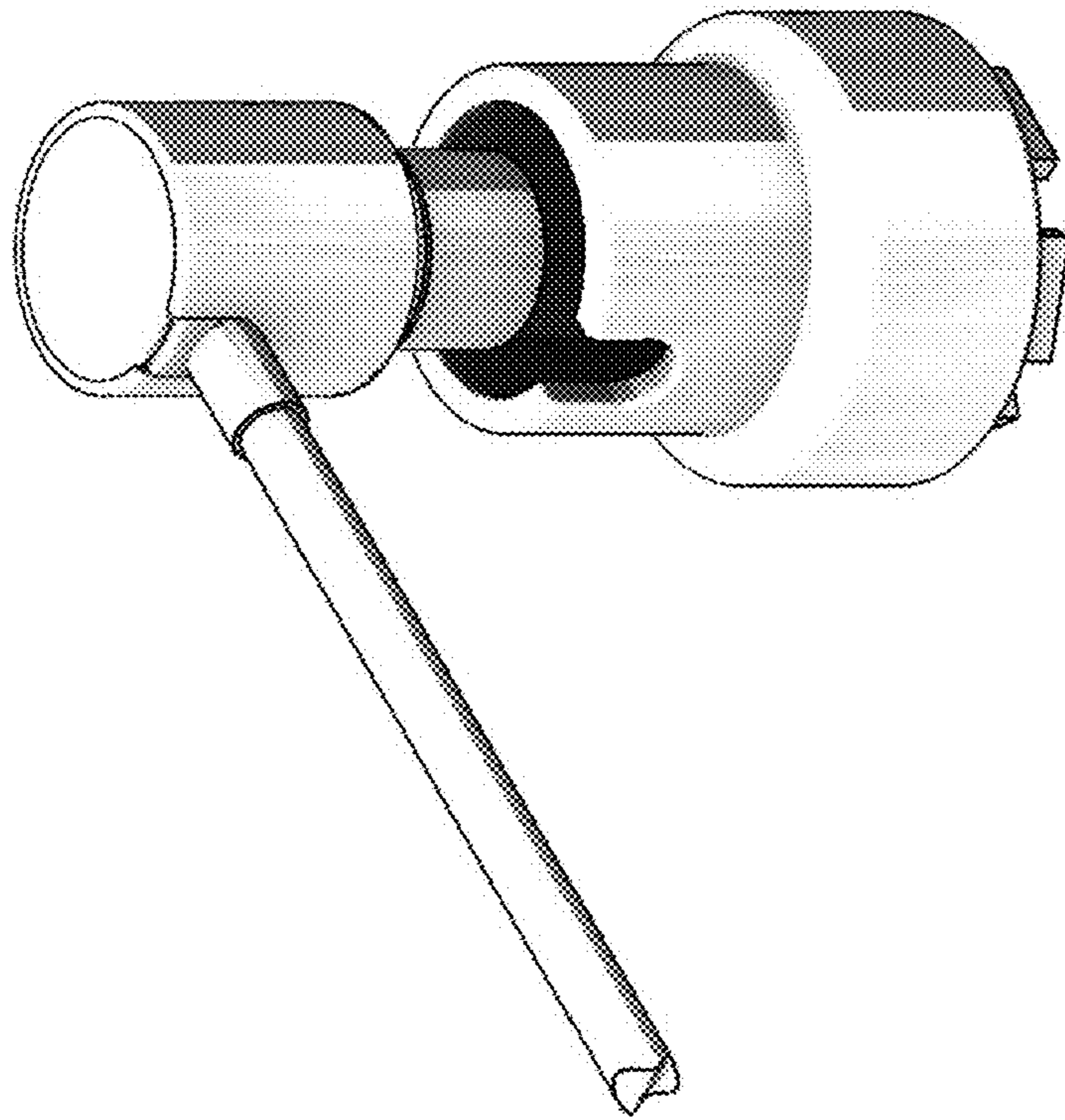


FIG. 2

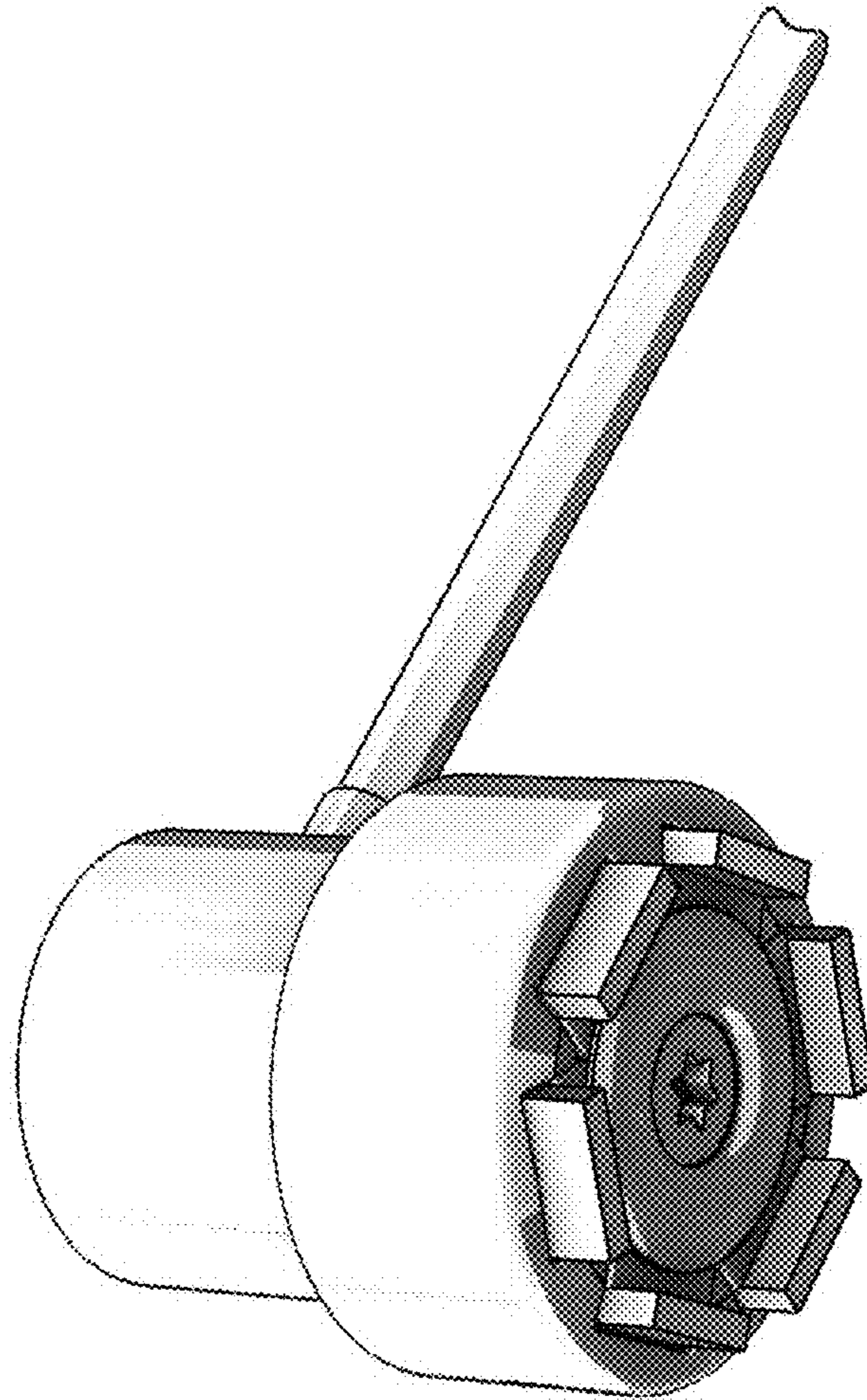


FIG. 3

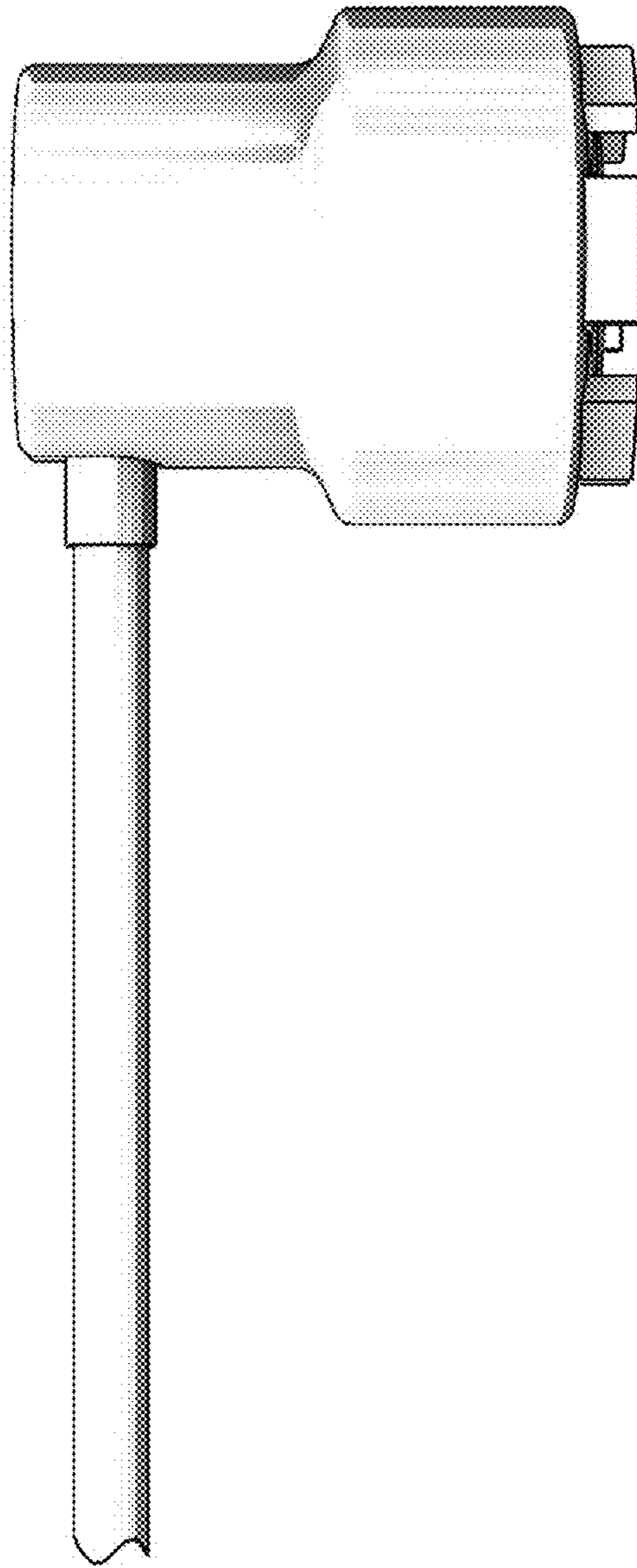


FIG. 4

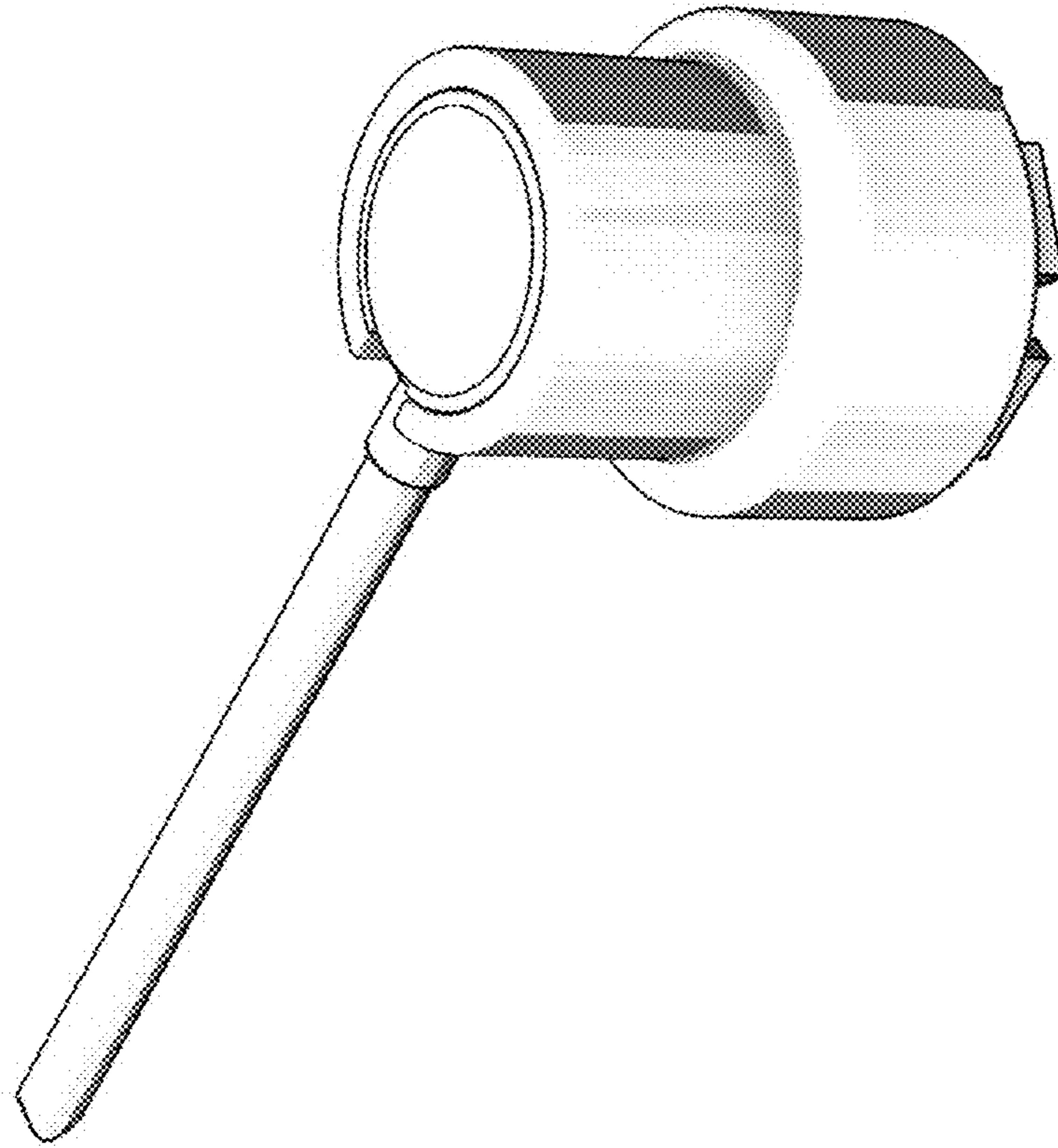


FIG. 5

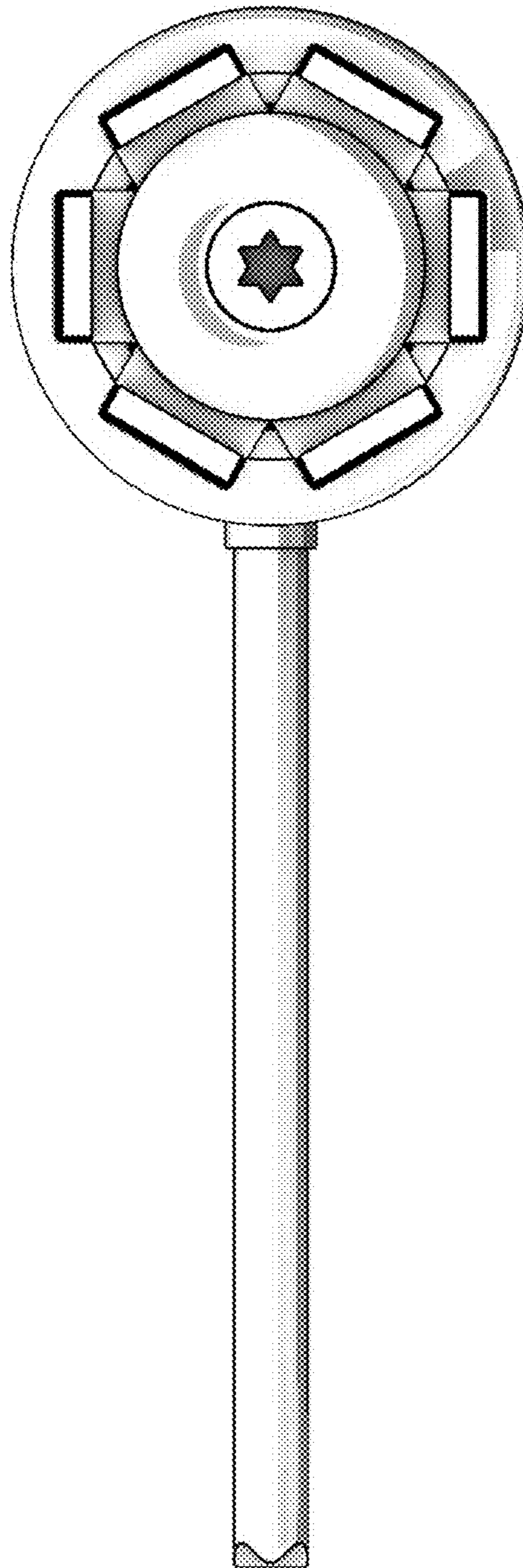


FIG. 6