

US00D857536S

(12) **United States Design Patent** (10) **Patent No.:** **US D857,536 S**  
**Zhang et al.** (45) **Date of Patent:** **\*\* Aug. 27, 2019**

(54) **VOLATILE MATTER ANALYZER**

35/00-35/1097; G01N  
2035/00019-2035/1093; G01N  
2204/022-2204/0228

(71) Applicant: **Hunan Sundy Science and Technology Co., LTD.**, Hunan (CN)

See application file for complete search history.

(72) Inventors: **Mingqing Zhang**, Hunan (CN); **Pan Wen**, Hunan (CN)

(56) **References Cited**

(73) Assignee: **Hunan Sundy Science and Technology Co., LTD.**, Hunan (CN)

U.S. PATENT DOCUMENTS

(\*\*) Term: **15 Years**

D838,613 S \* 1/2019 Barton ..... D10/81

(21) Appl. No.: **29/631,927**

\* cited by examiner

(22) Filed: **Jan. 4, 2018**

*Primary Examiner* — Antoine Duval Davis

(30) **Foreign Application Priority Data**

(74) *Attorney, Agent, or Firm* — JCIPRNET

Jul. 4, 2017 (CN) ..... 2017 3 0288631

(51) **LOC (12) Cl.** ..... **10-04**

(52) **U.S. Cl.**  
USPC ..... **D10/81**

(58) **Field of Classification Search**  
USPC ..... D10/81

CPC .. G01N 21/00; G01N 21/01; G01N 2201/022;  
G01N 2201/0221; G01N 2201/0222;  
G01N 2201/0224; G01N 2201/0225;  
G01N 2201/0227; G01N 2201/0228;  
G01N 2201/024; G01N 2201/0245; G01N  
2021/0112-21/958; G01N  
2021/0106-2021/9586; G01N

(57) **CLAIM**

The ornamental design for a volatile matter analyzer, as shown and described.

**DESCRIPTION**

FIG. 1 is a perspective view of a volatile matter analyzer showing our new design;

FIG. 2 is a front view thereof;

FIG. 3 is a rear view thereof;

FIG. 4 is a left side view thereof;

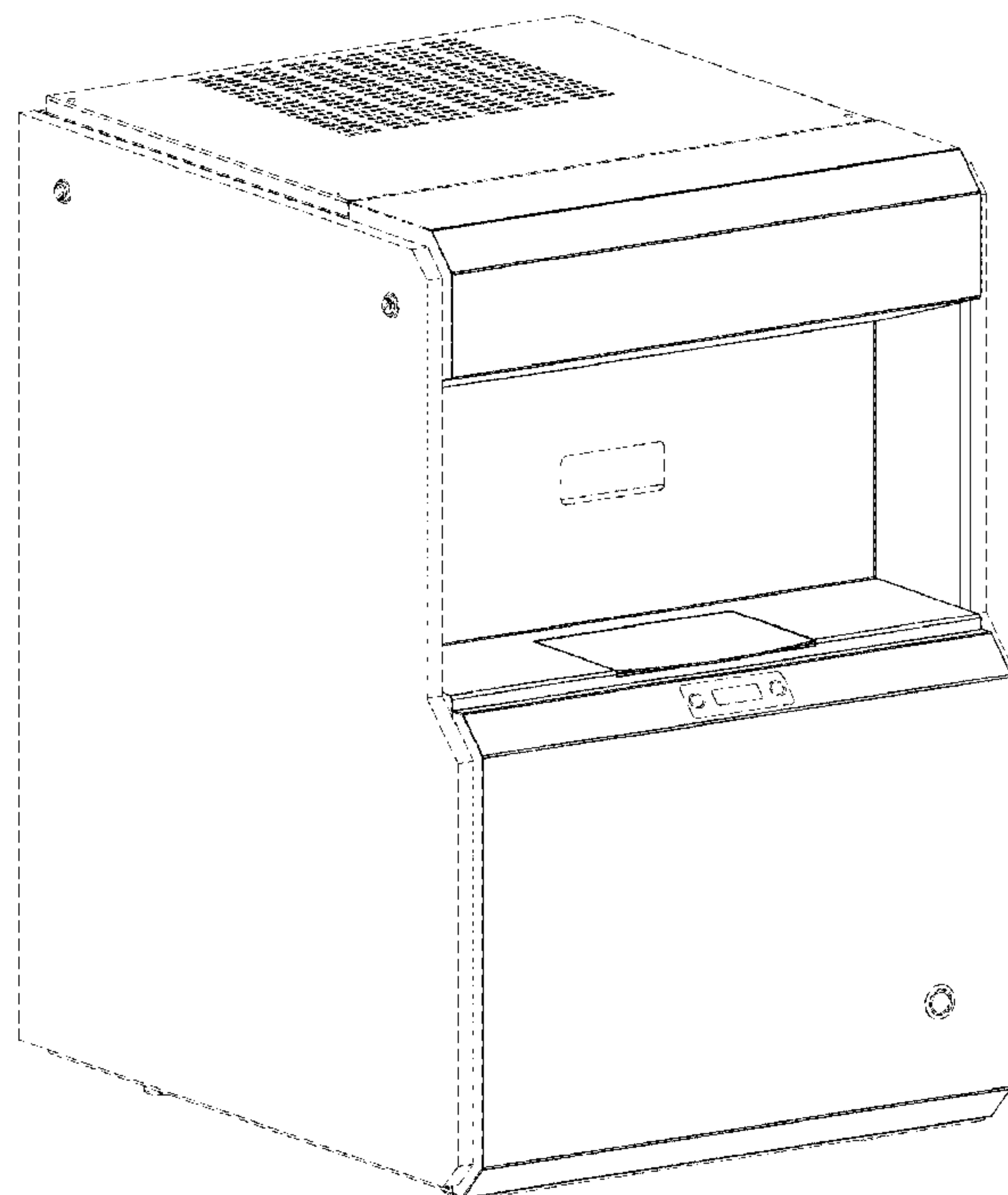
FIG. 5 is a right side view thereof;

FIG. 6 is top view thereof; and,

FIG. 7 is a bottom view thereof.

The broken lines illustrate portion of the volatile matter analyzer and form no part of the claimed design.

**1 Claim, 7 Drawing Sheets**



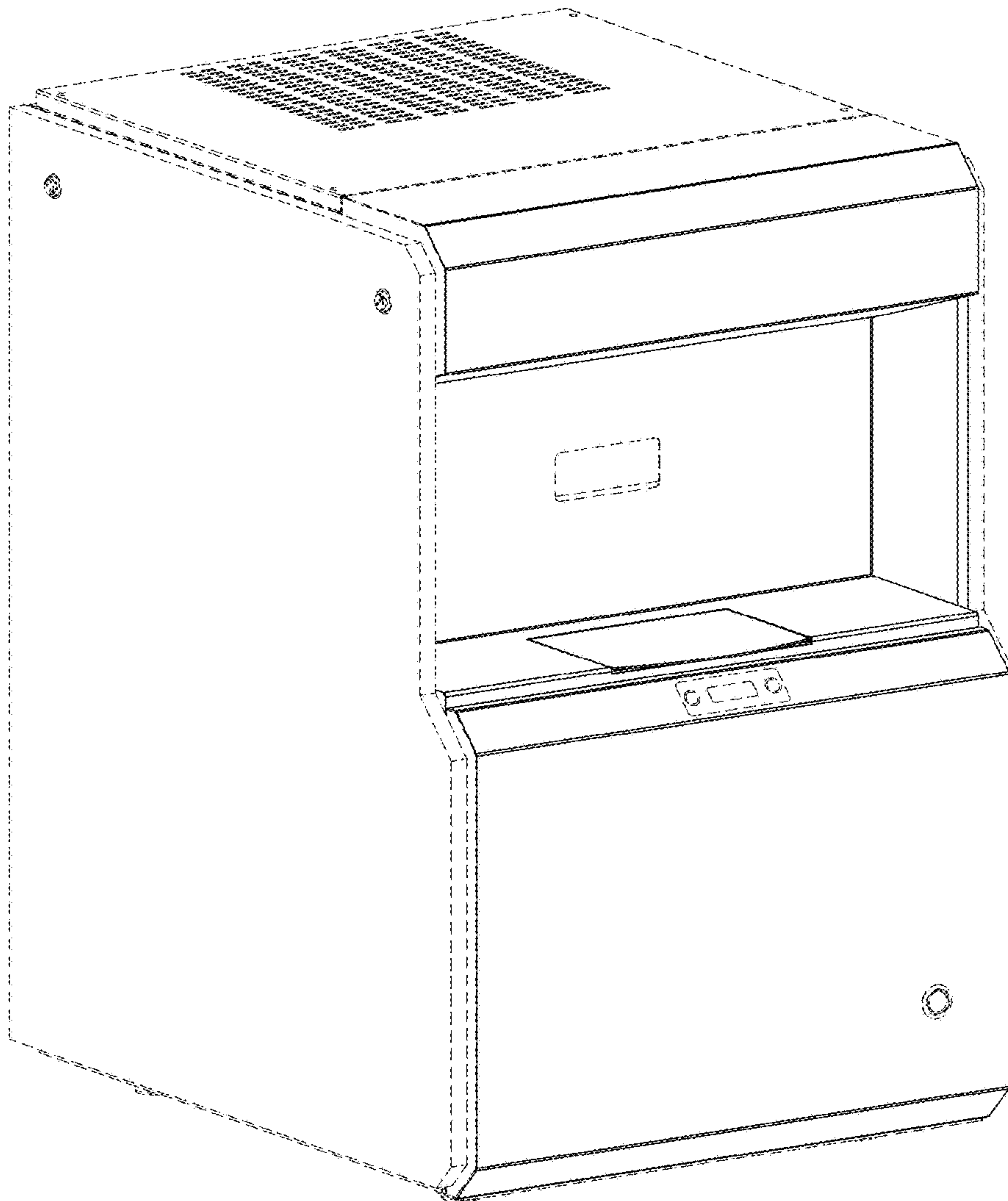


FIG. 1

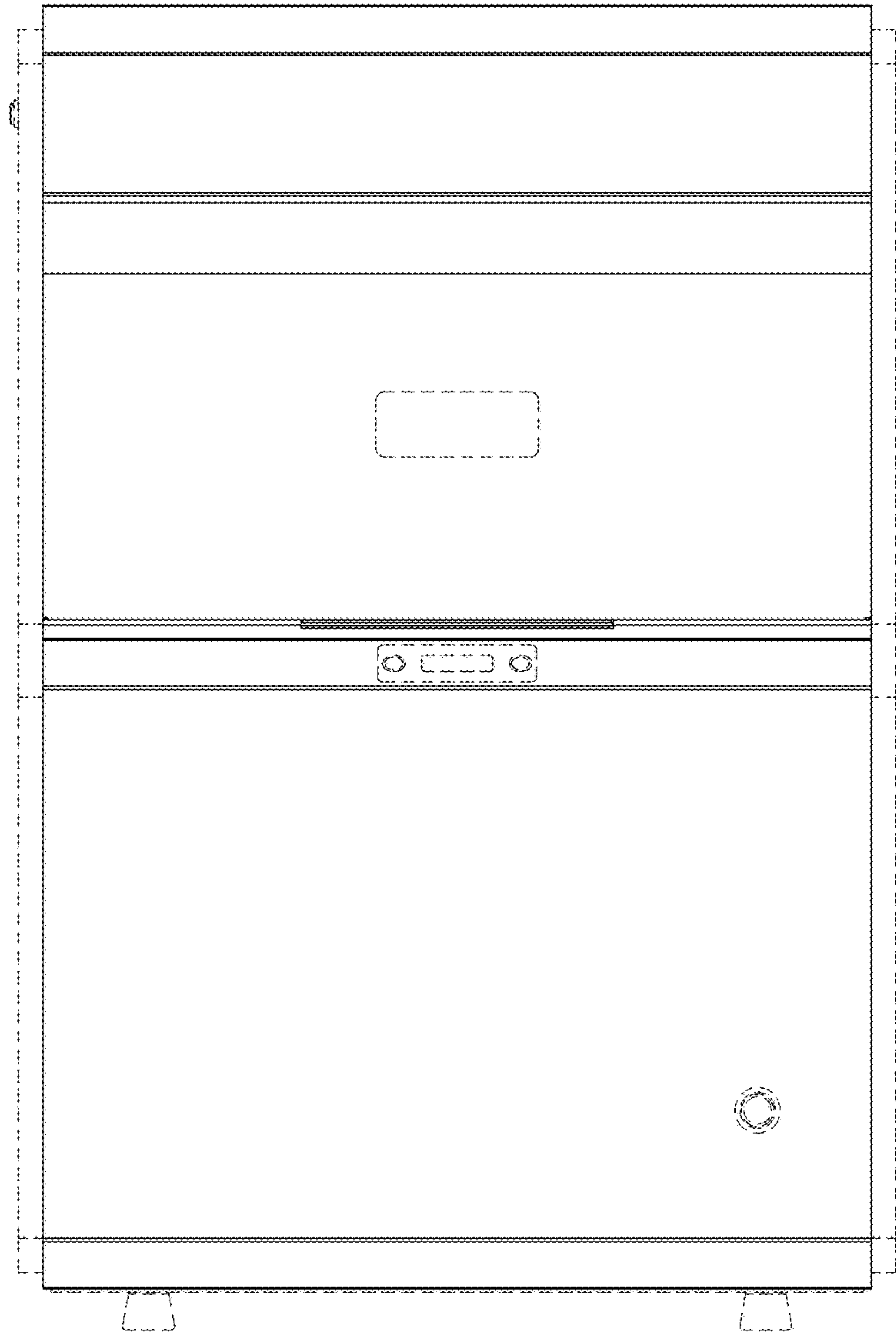


FIG. 2

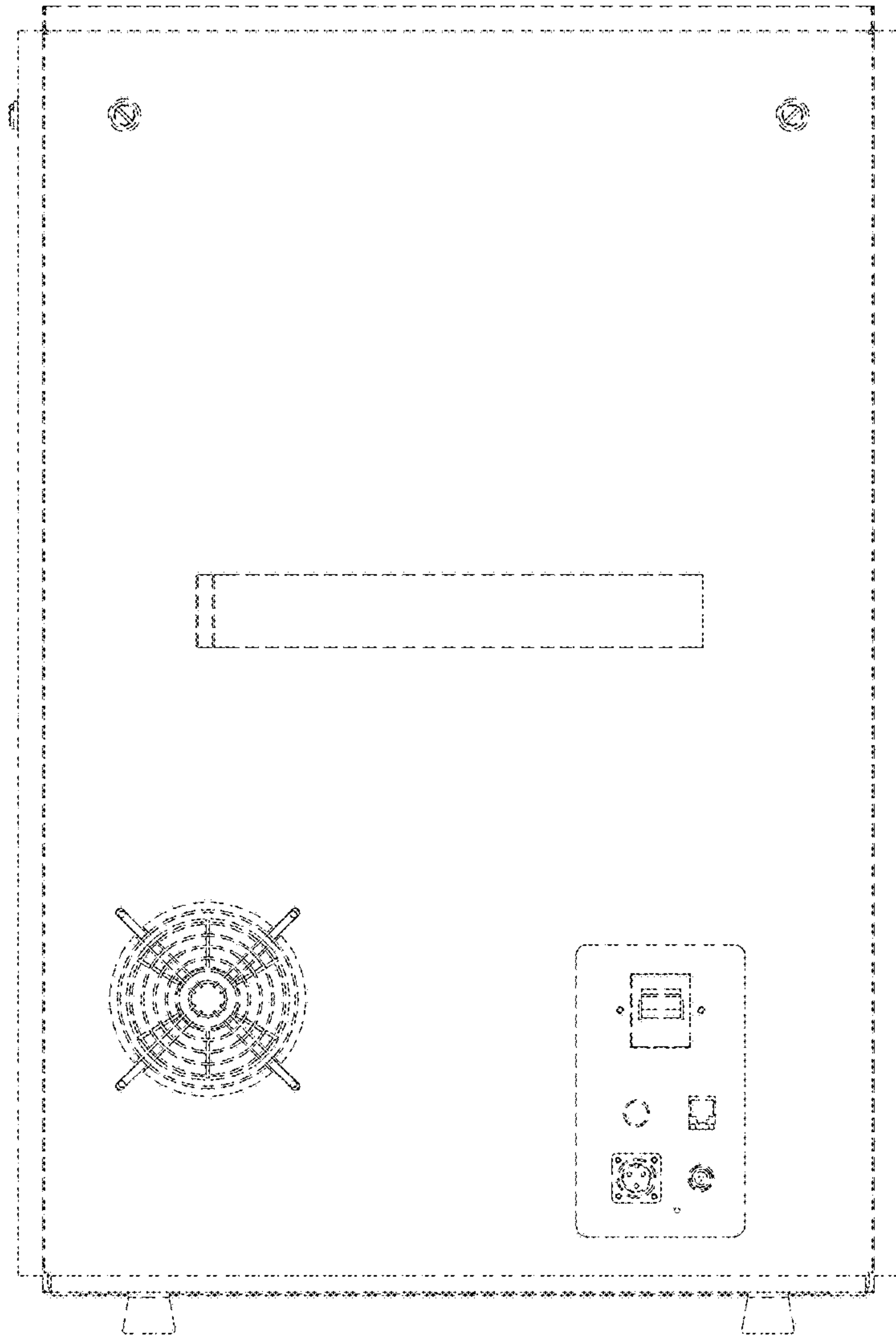


FIG. 3

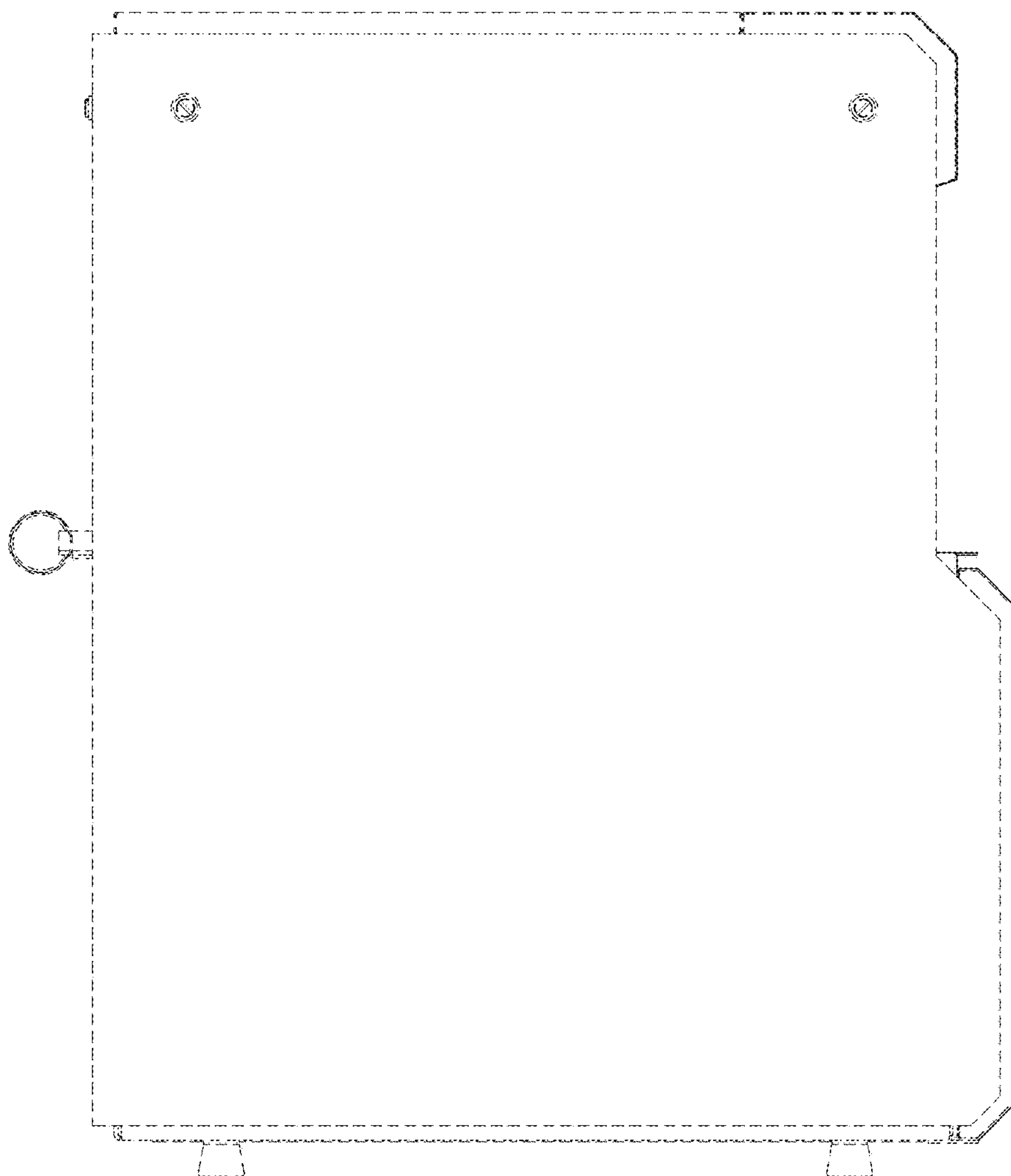


FIG. 4

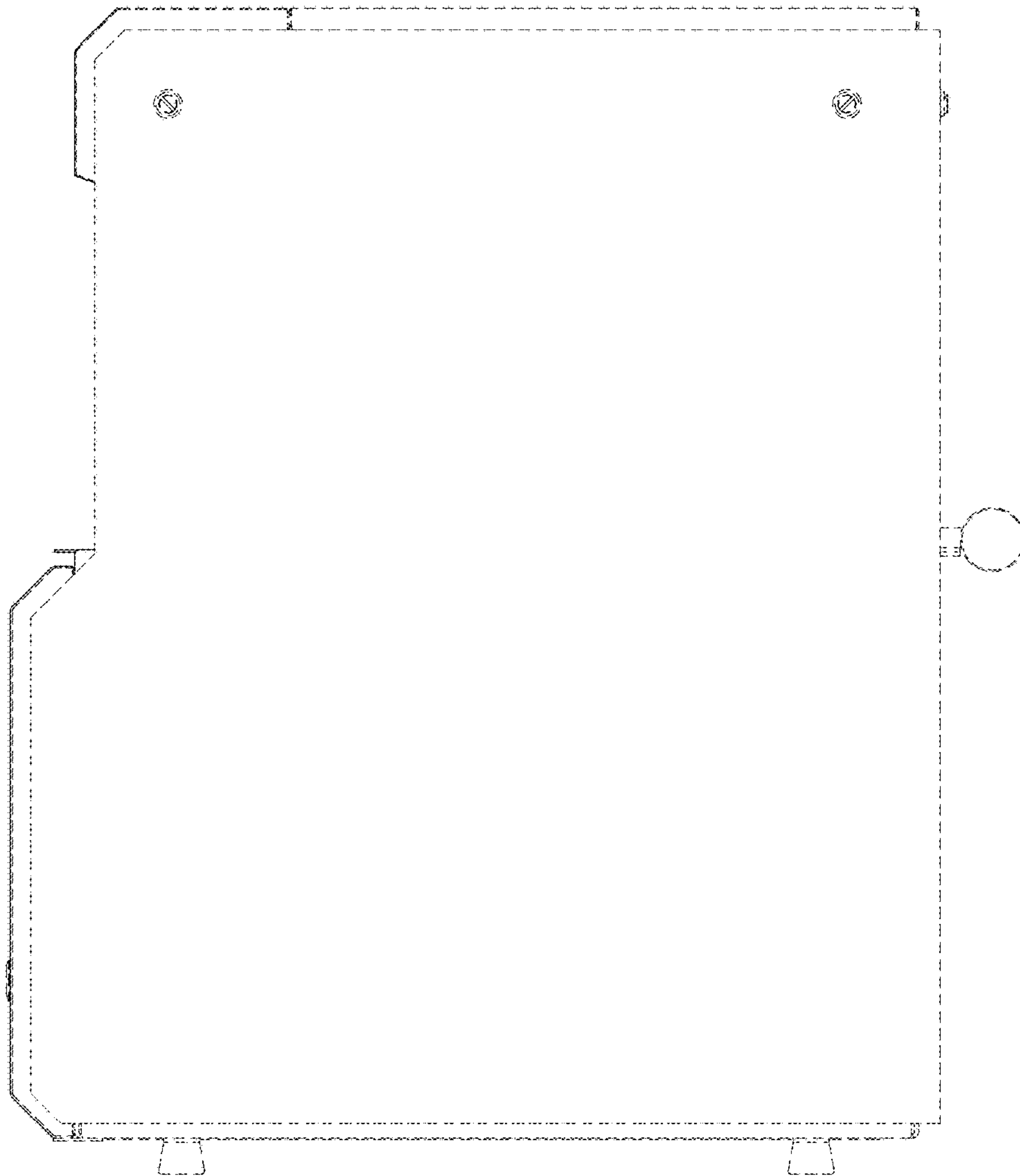


FIG. 5

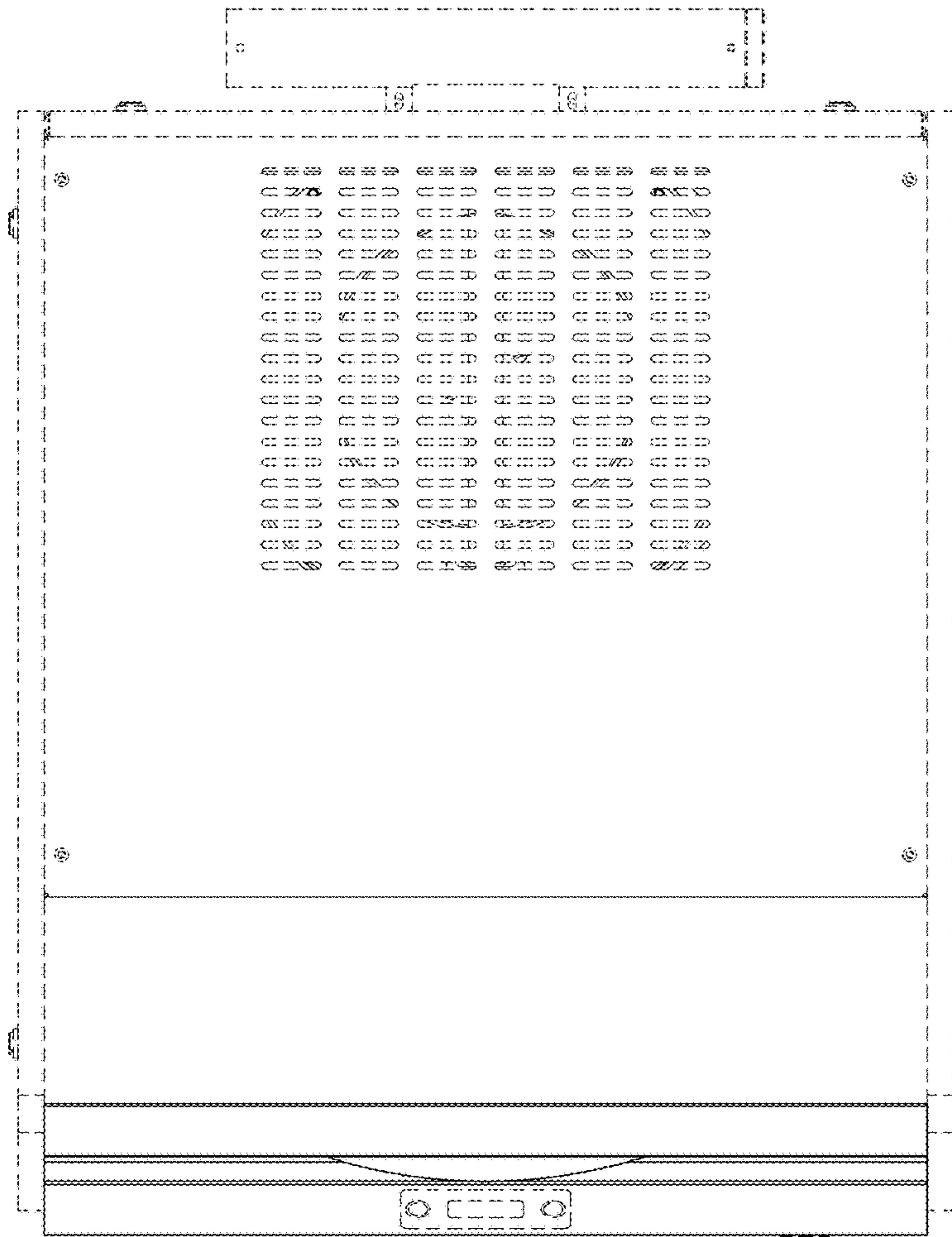


FIG. 6



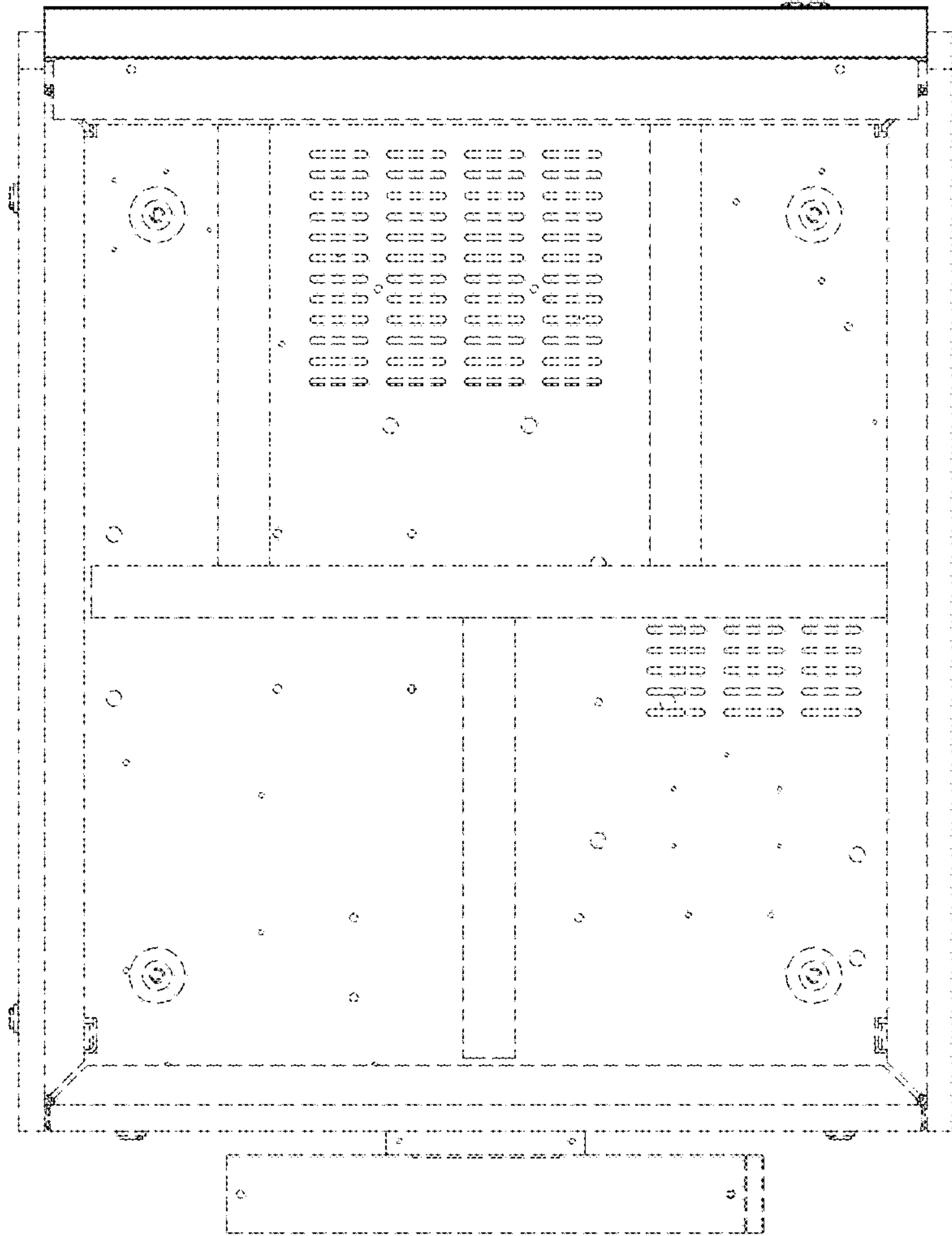


FIG. 7