



US00D857534S

(12) **United States Design Patent** (10) **Patent No.:** **US D857,534 S**
Dunford et al. (45) **Date of Patent:** **** Aug. 27, 2019**

(54) **PORTABLE TEST INSTRUMENT**

G01N 27/9066; G01N 27/9073; G01N 27/908; G01N 27/9086; G01N 27/9093

See application file for complete search history.

(71) Applicant: **JENTEK Sensors, Inc.**, Marlborough, MA (US)

(56) **References Cited**

(72) Inventors: **Todd M Dunford**, Amherst, MA (US); **Neil J Goldfine**, Cocoa Beach, FL (US); **Stuart D Chaplan**, Watertown, MA (US); **Yanko K Sheiretov**, Waltham, MA (US); **Scott A Denenberg**, Newton, MA (US)

U.S. PATENT DOCUMENTS

5,117,182	A *	5/1992	Cecco	G01N 27/904
					324/220
D339,994	S *	10/1993	Rohmann	D10/78
5,914,595	A *	6/1999	Pirou	G01N 27/9013
					324/220
D514,963	S *	2/2006	Shionoiri	D10/78
D841,497	S *	2/2019	Blair et al.	D10/78
2004/0257072	A1 *	12/2004	Samson	G01N 27/902
					324/242
2011/0089937	A1 *	4/2011	Petrosky	G01N 27/90
					324/220

(73) Assignee: **JENTEK Sensors, Inc.**, Marlborough, MA (US)

(Continued)

(**) Term: **15 Years**

Primary Examiner — Antoine Duval Davis

(21) Appl. No.: **29/666,705**

(74) *Attorney, Agent, or Firm* — Zachary M. Thomas

(22) Filed: **Oct. 15, 2018**

(57) **CLAIM**

The ornamental design for a portable test instrument, substantially as shown and described.

Related U.S. Application Data

DESCRIPTION

(63) Continuation of application No. 29/603,661, filed on May 11, 2017, now Pat. No. Des. 830,863.

(51) **LOC (12) Cl.** **10-04**

(52) **U.S. Cl.**
USPC **D10/75; D10/78**

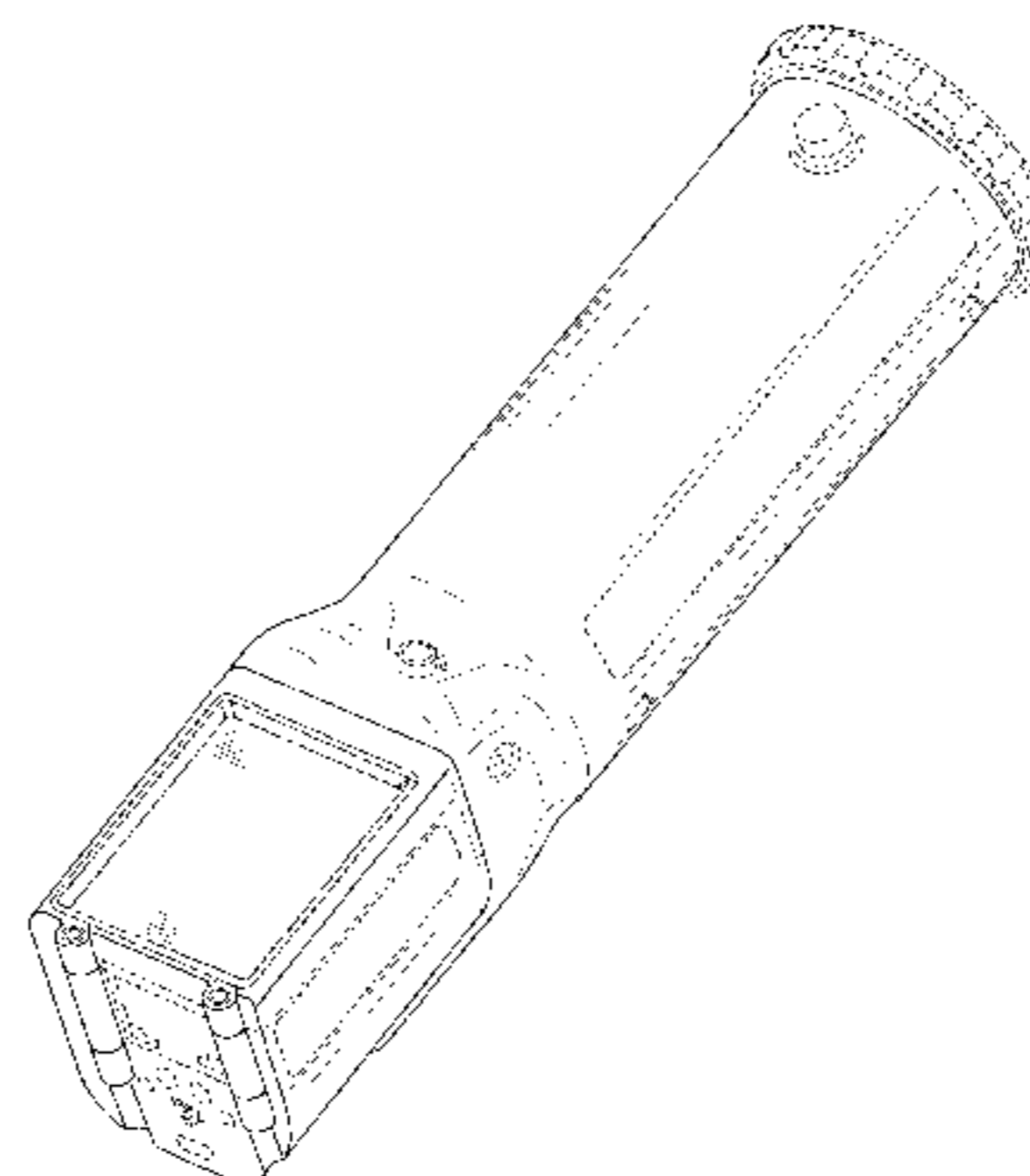
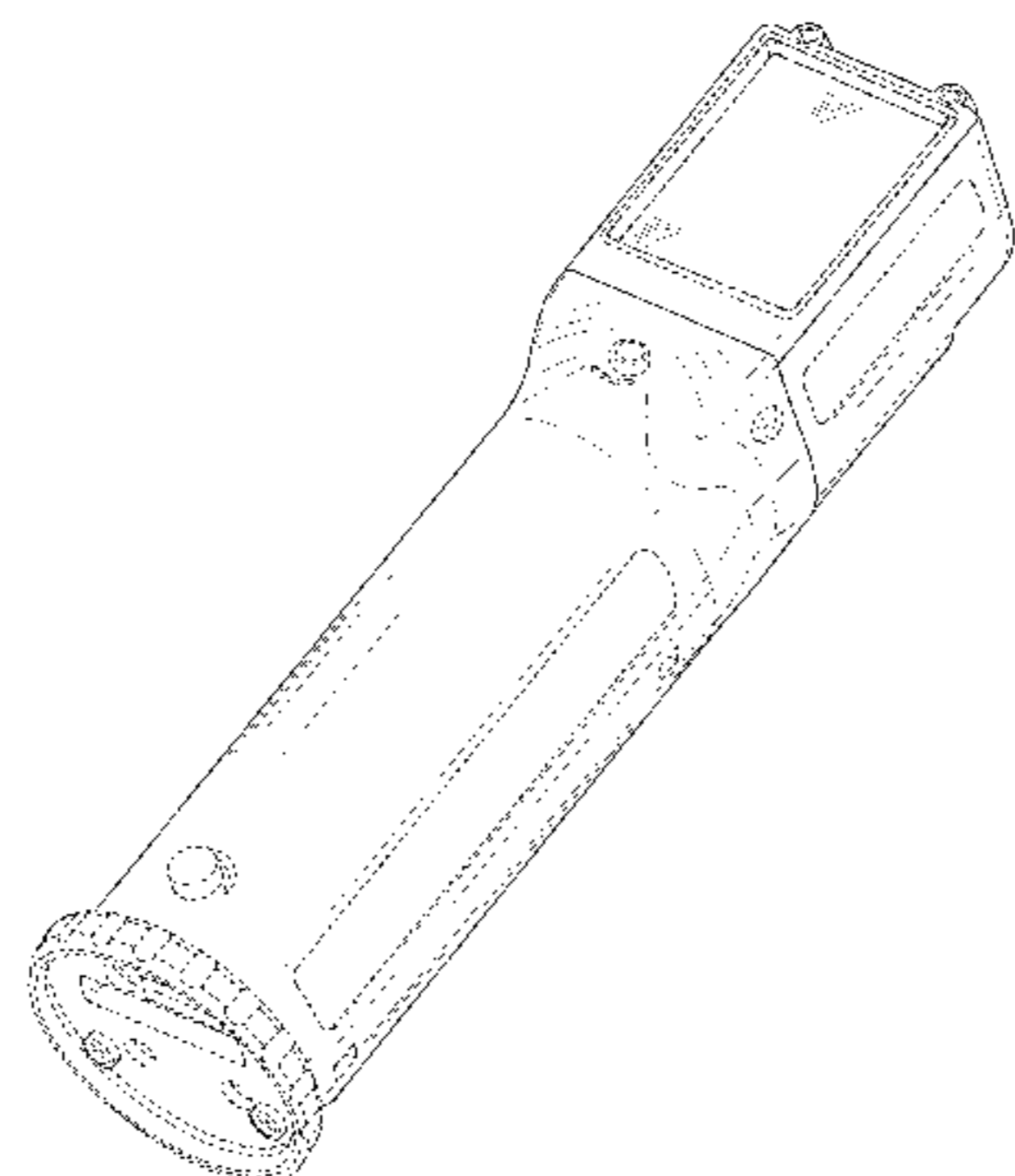
(58) **Field of Classification Search**
USPC D10/75, 78
CPC G01N 27/82; G01N 27/825; G01N 27/83; G01N 27/84; G01N 27/85; G01N 27/87; G01N 27/90; G01N 27/9006; G01N 27/9013; G01N 27/902; G01N 27/9026; G01N 27/9033; G01N 27/904; G01N 27/9046; G01N 27/9053; G01N 27/906;

FIG. 1 is a front perspective view of the portable test instrument;
FIG. 2 is a back perspective view thereof;
FIG. 3 is a top view thereof;
FIG. 4 is a bottom view thereof;
FIG. 5 is a left side view thereof;
FIG. 6 is a back view thereof; and,
FIG. 7 is a front view thereof.

The broken lines shown in the figures are for the purpose of illustrating the environmental structure and form no part of the claimed design. The unevenly-spaced broken line at the front end and visible in FIGS. 2-5 illustrate the boundary of the claimed design and form no part thereof.

The right side of the portable test instrument is a mirror image of the left side of the portable test instrument depicted in FIG. 5.

(Continued)



The shade lines in the figures show contour and not surface ornamentation.

1 Claim, 6 Drawing Sheets

(56) **References Cited**

U.S. PATENT DOCUMENTS

2015/0323502 A1* 11/2015 Suetsugu G01N 27/902
324/240

* cited by examiner

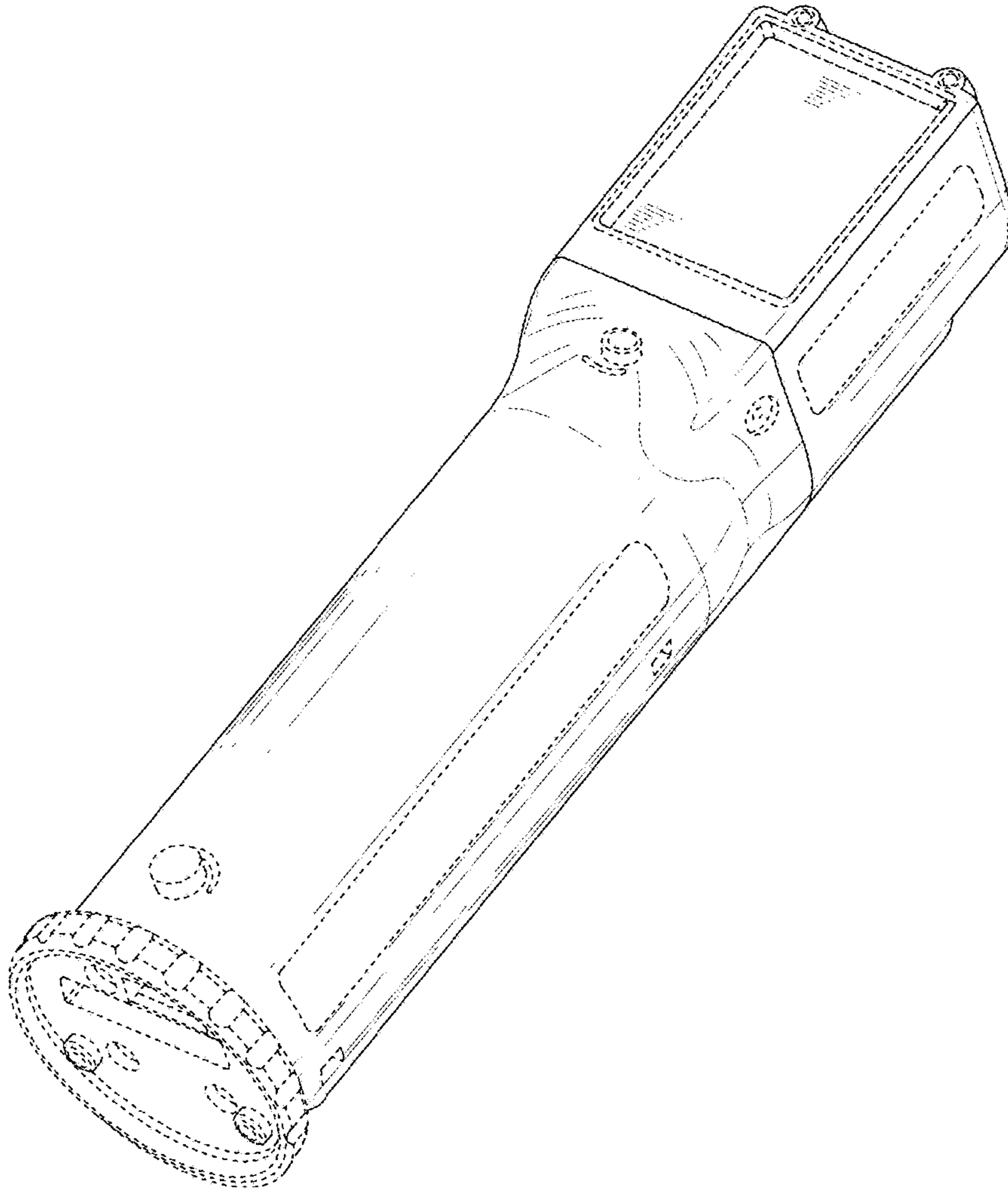


FIG. 1

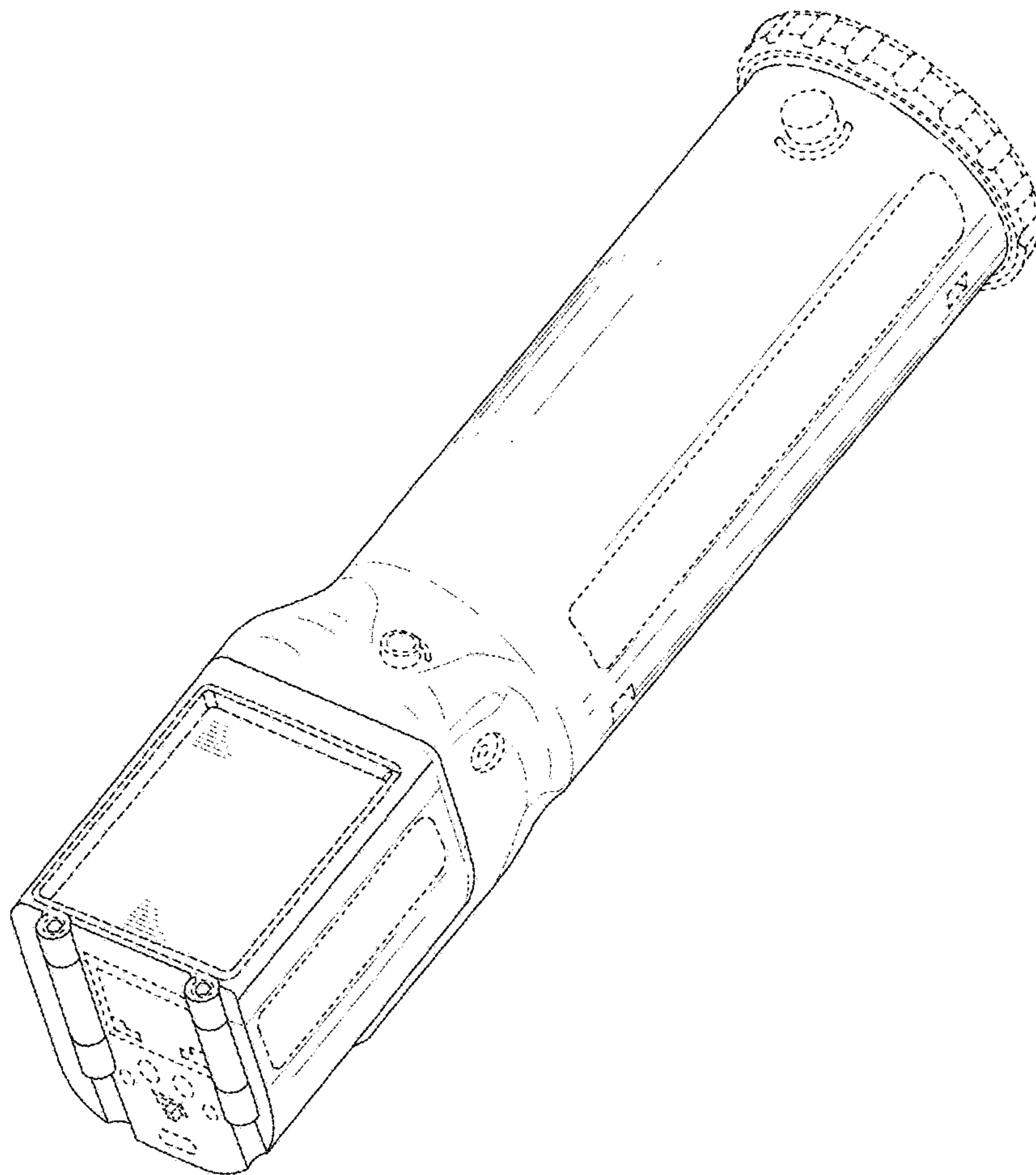


FIG. 2

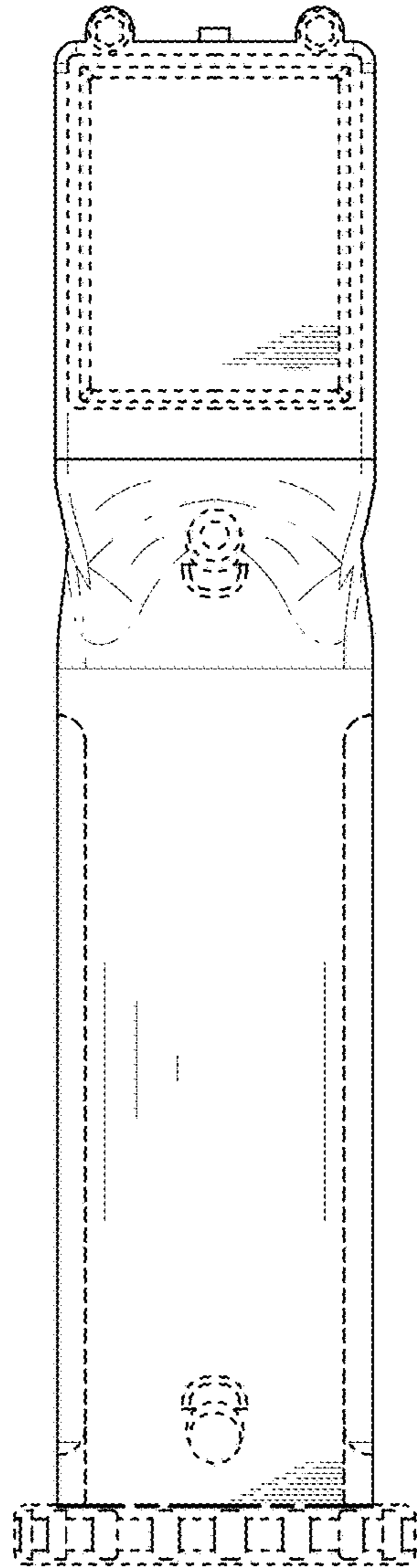


FIG. 3

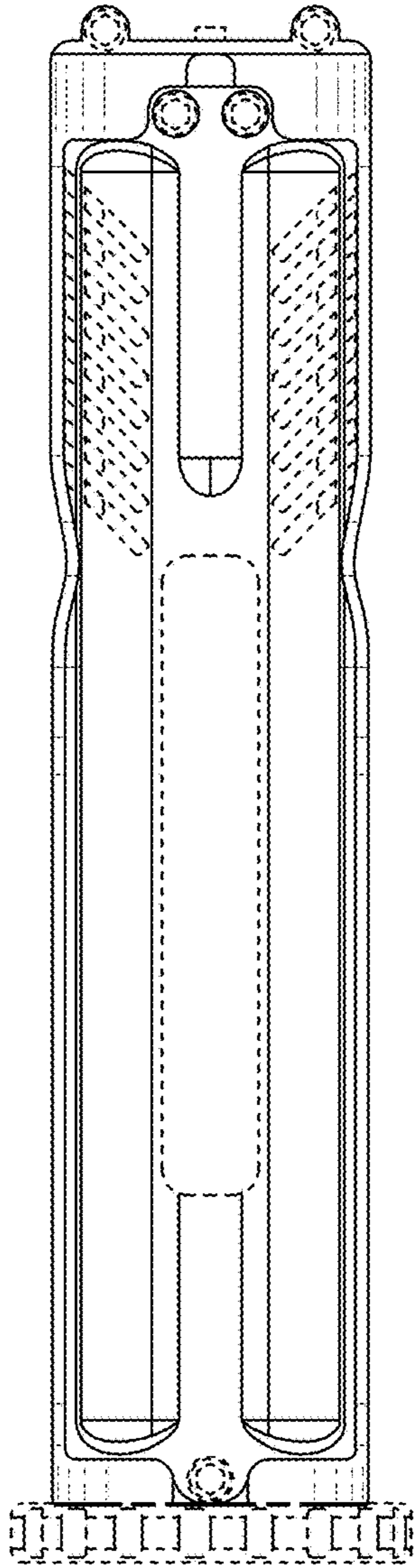


FIG. 4

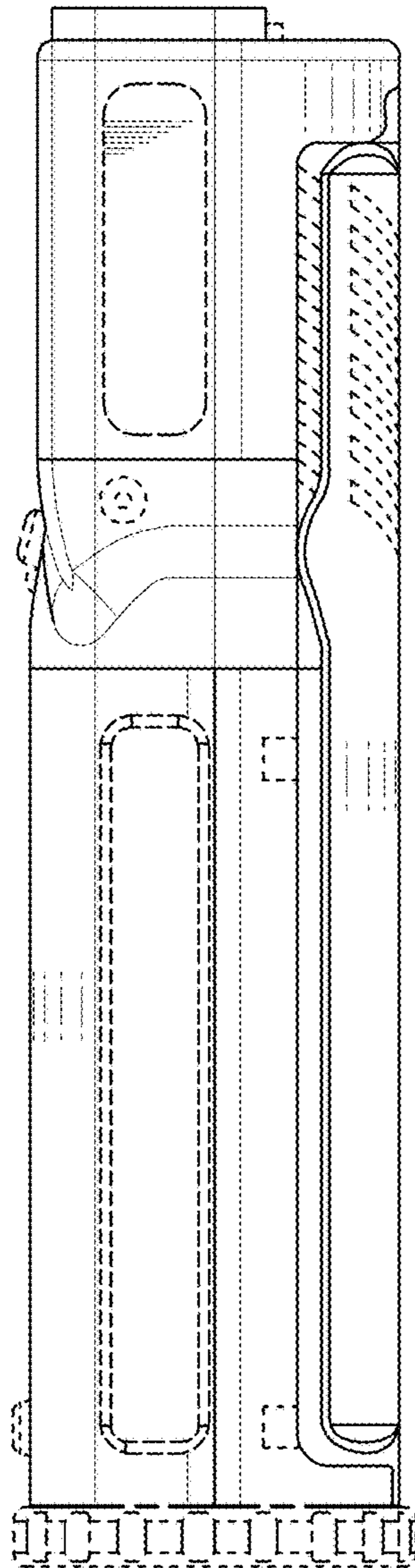


FIG. 5

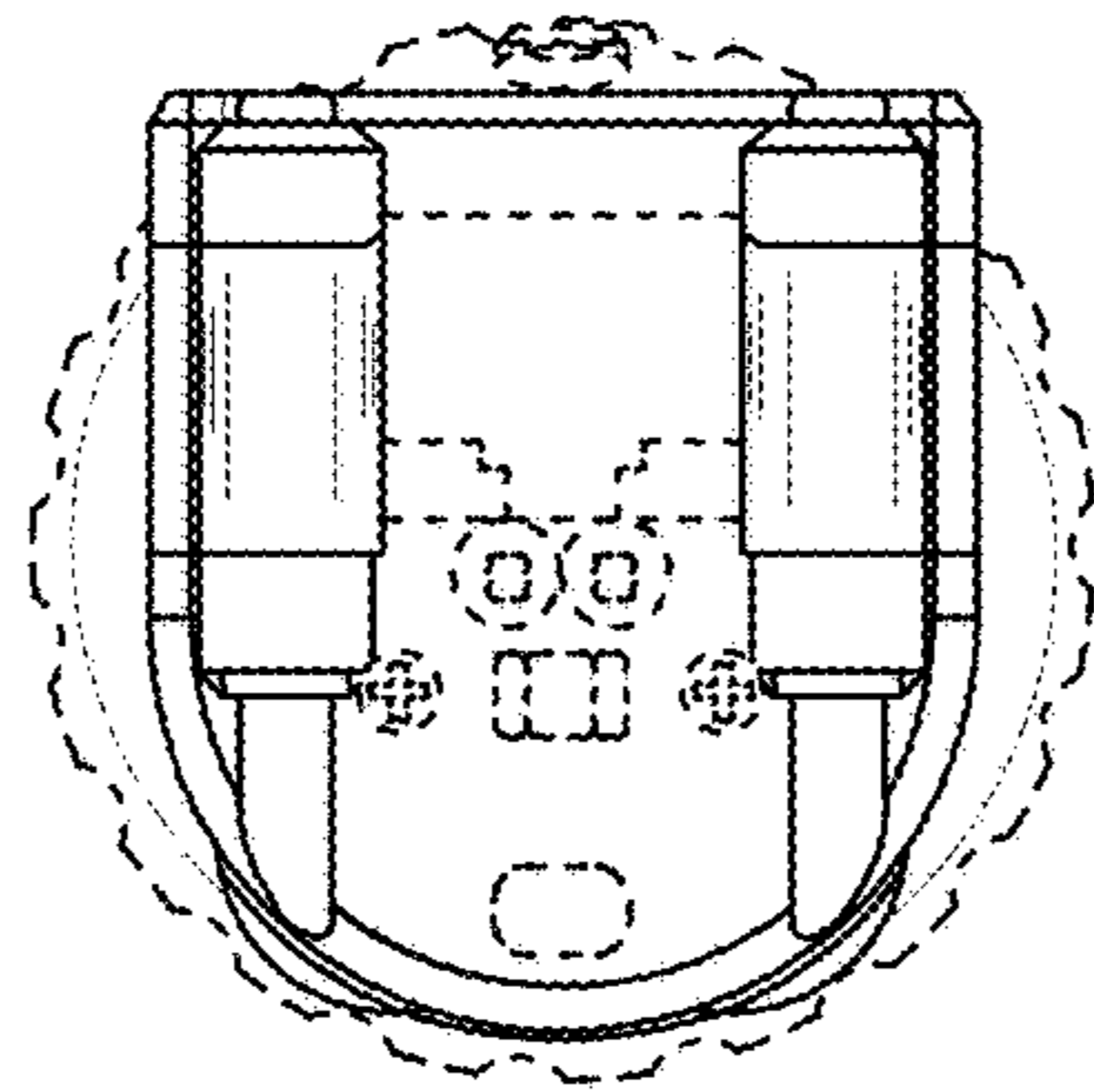


FIG. 6

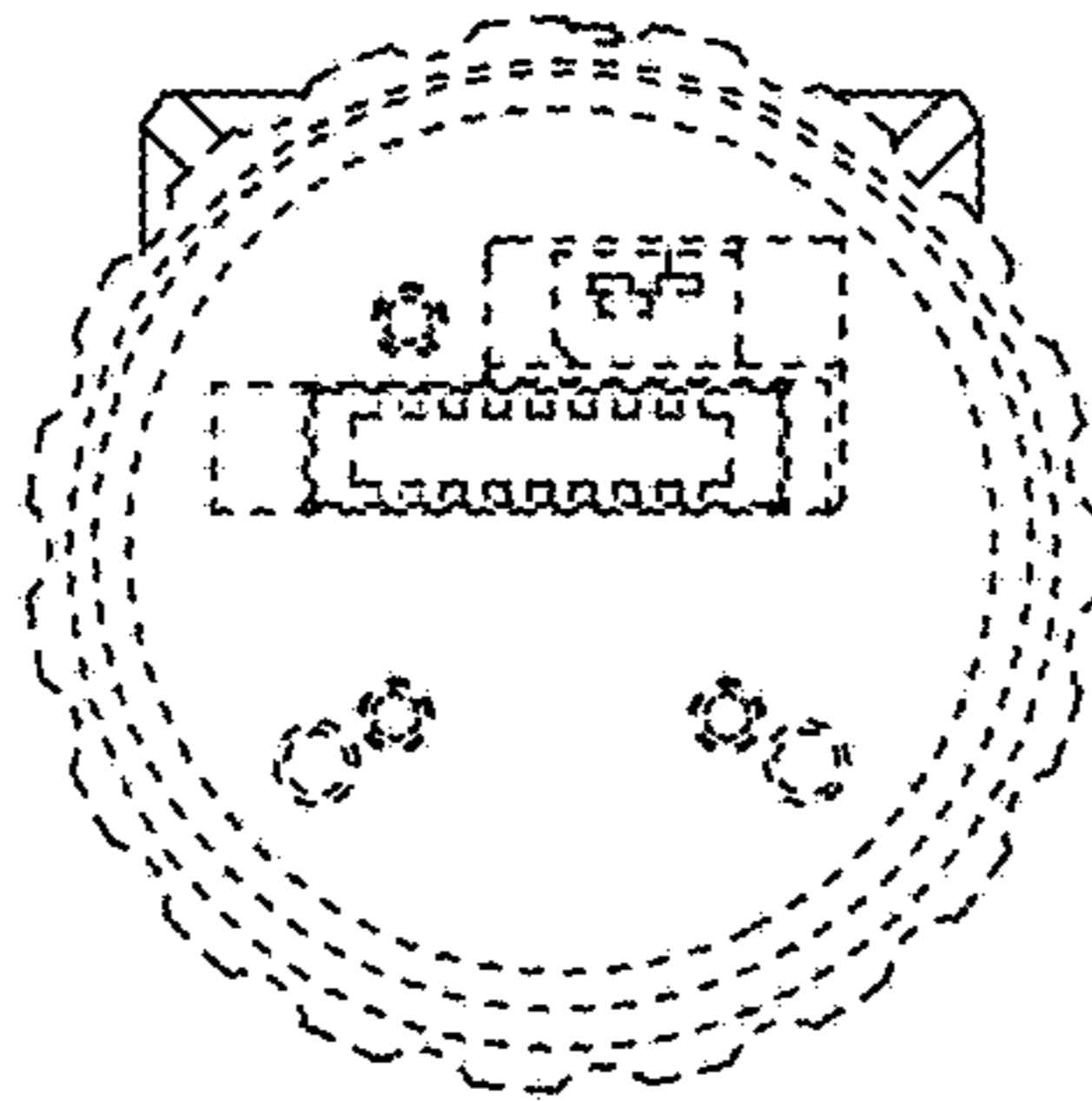


FIG. 7