



US00D857533S

(12) **United States Design Patent**  
**White, Jr.**

(10) **Patent No.:** **US D857,533 S**

(45) **Date of Patent:** **\*\* Aug. 27, 2019**

(54) **TAPE MEASURE ACCESSORY**

(71) Applicant: **Willie O. White, Jr.**, Pleasant Garden,  
NC (US)

(72) Inventor: **Willie O. White, Jr.**, Pleasant Garden,  
NC (US)

(\*\*) Term: **15 Years**

(21) Appl. No.: **29/645,826**

(22) Filed: **Apr. 30, 2018**

**Related U.S. Application Data**

(63) Continuation-in-part of application No. 15/177,837,  
filed on Jun. 9, 2016, now Pat. No. 9,970,743.

(51) **LOC (12) Cl.** ..... **10-04**

(52) **U.S. Cl.**

USPC ..... **D10/74**

(58) **Field of Classification Search**

USPC ..... D10/72, 74

CPC ..... G01B 3/1071; G01B 2003/1079; G01B  
3/10; G01B 3/1056; G01B 2003/1076;  
G01B 3/1074

See application file for complete search history.

(56) **References Cited**

**U.S. PATENT DOCUMENTS**

6,295,739 B1 \* 10/2001 Kraft ..... G01B 3/1071  
33/755

6,663,153 B2 \* 12/2003 Brunson ..... G01B 3/1071  
294/2

7,024,792 B2 \* 4/2006 Graham ..... G01B 3/1071  
33/759

D556,065 S \* 11/2007 Jones ..... D10/74

8,590,171 B2 \* 11/2013 Ricalde ..... G01B 3/1056  
33/758

D792,792 S 7/2017 White, Jr.  
2004/0221471 A1 \* 11/2004 Graham ..... G01B 3/1071  
33/770

\* cited by examiner

*Primary Examiner* — Antoine Duval Davis

(74) *Attorney, Agent, or Firm* — Dunlap Bennett &  
Ludwig PLLC

(57) **CLAIM**

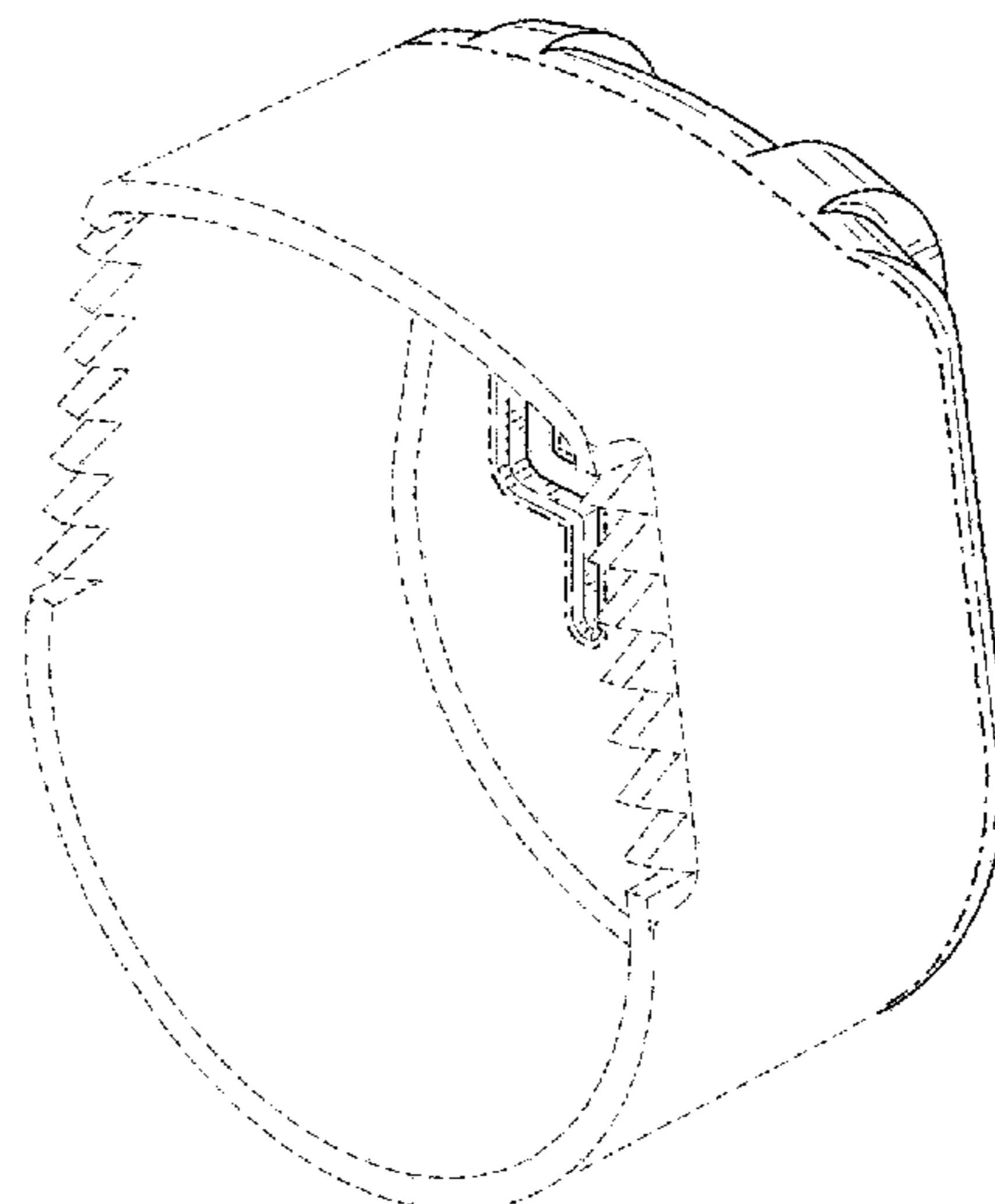
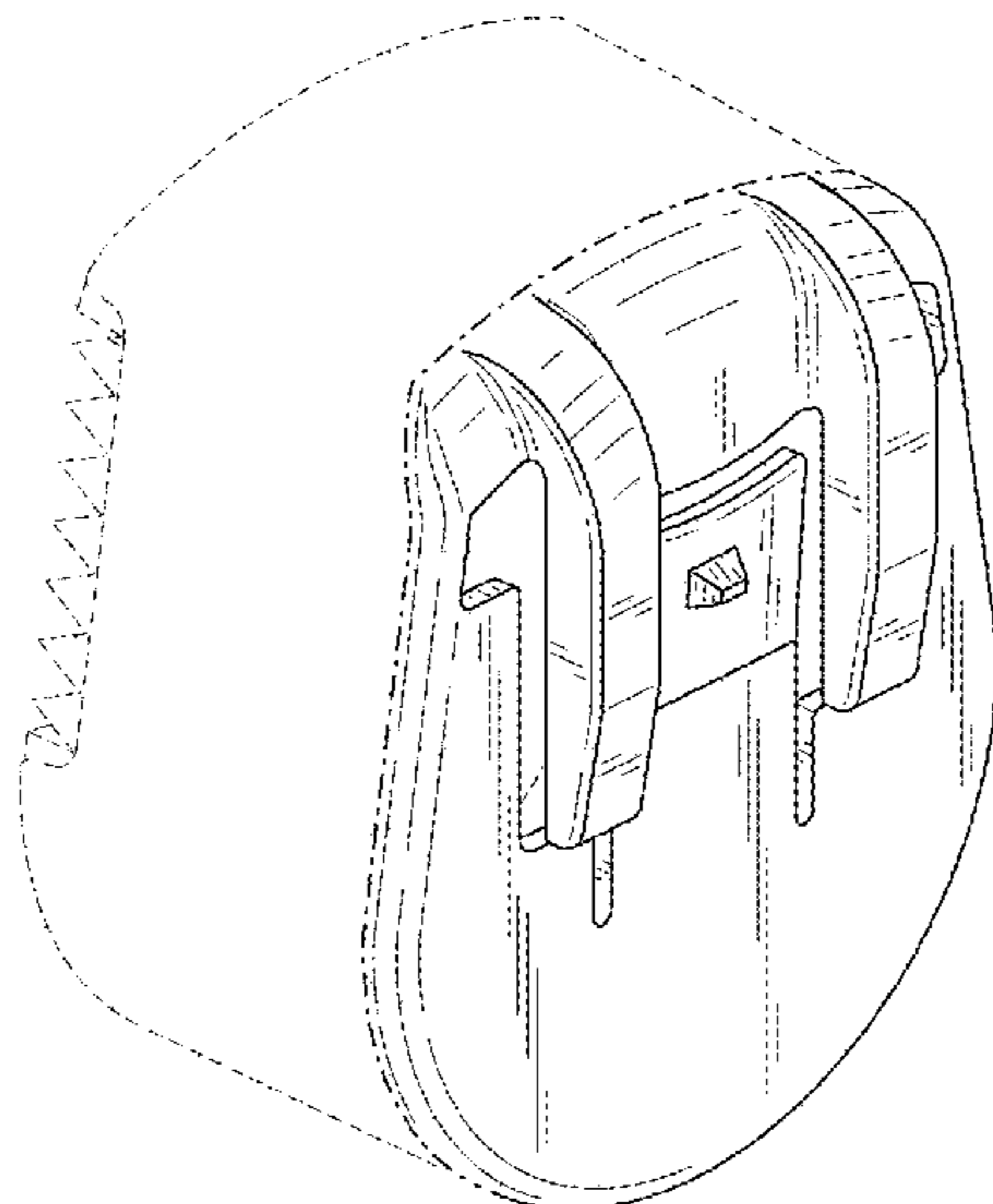
The ornamental design for a tape measure accessory, as  
shown and described.

**DESCRIPTION**

FIG. 1 is a front perspective view of the tape measure  
accessory, showing my new design;  
FIG. 2 is a rear perspective view thereof;  
FIG. 3 is a front elevation view thereof;  
FIG. 4 is a rear elevation view thereof;  
FIG. 5 is a left elevation view thereof, the right elevation  
view being a mirror image thereof;  
FIG. 6 is a top plan view thereof; and,  
FIG. 7 is a bottom plan view thereof.

The broken lines consisting of evenly spaced lines in the  
drawings depict portions of the tape measure accessory that  
form no part of the claimed design, while the broken lines  
consisting of dash-dot-dash lines in the drawings depict the  
boundary of the claimed invention and it is understood that  
the claim extends to the boundary that forms no part of the  
claimed design.

**1 Claim, 5 Drawing Sheets**



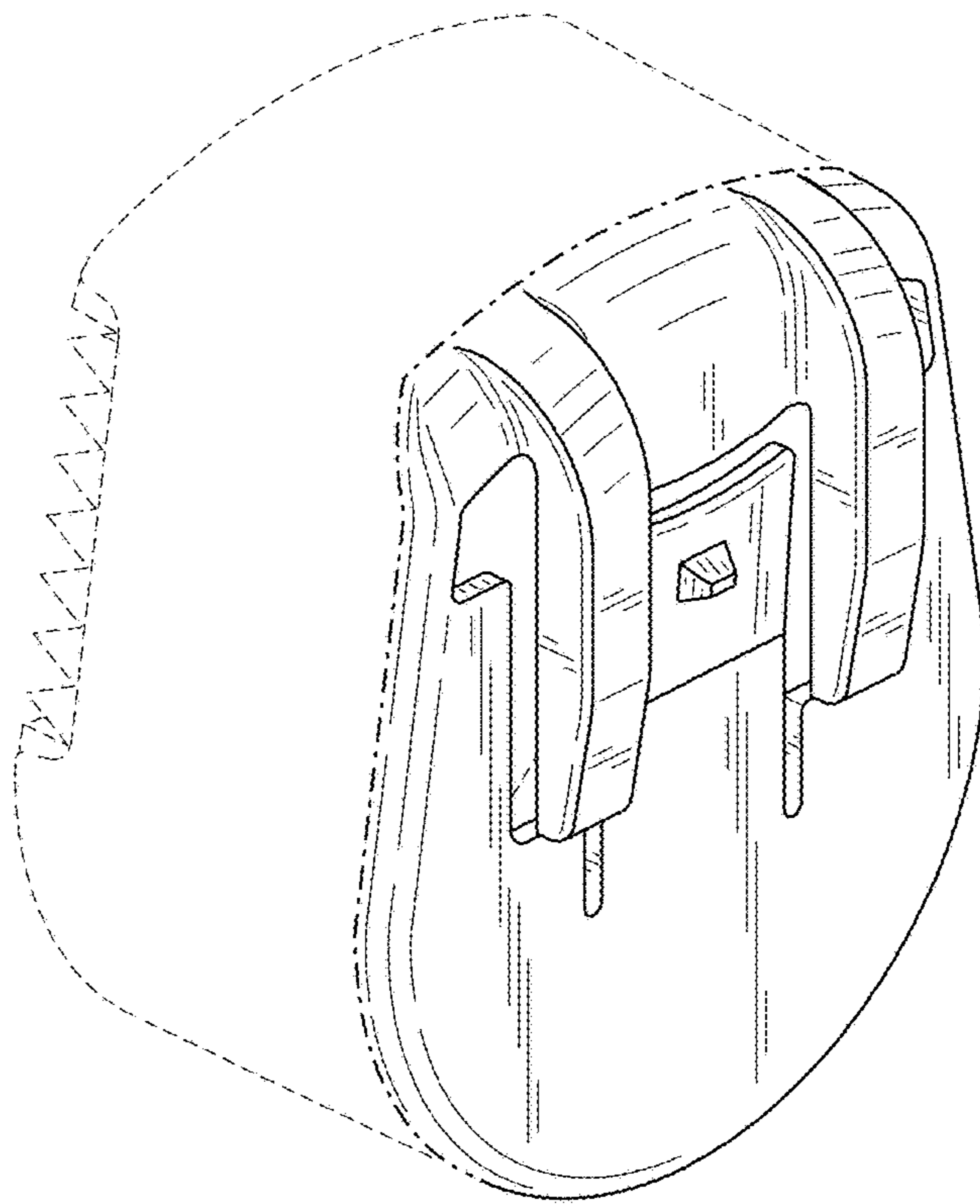


FIG. 1

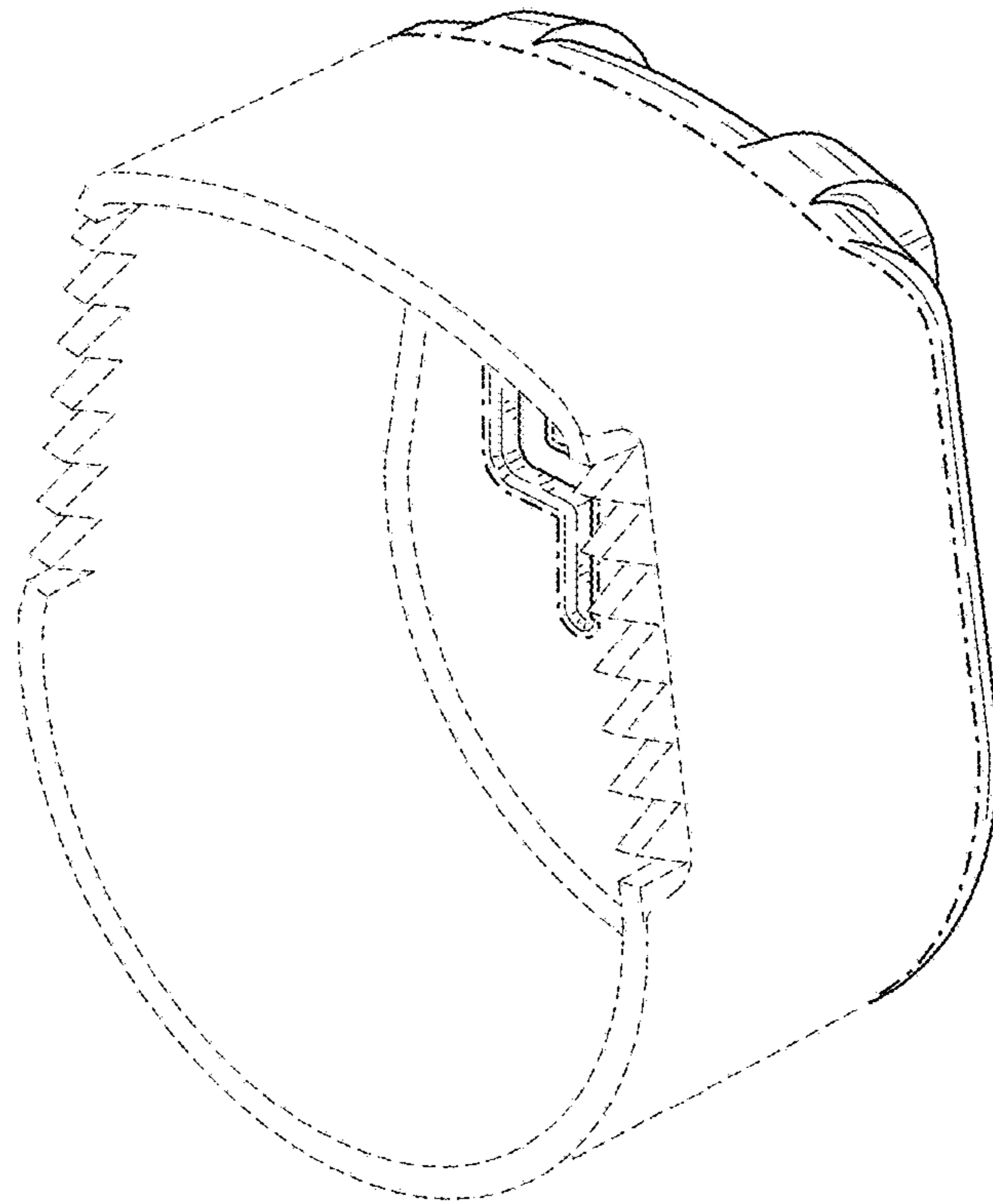


FIG. 2

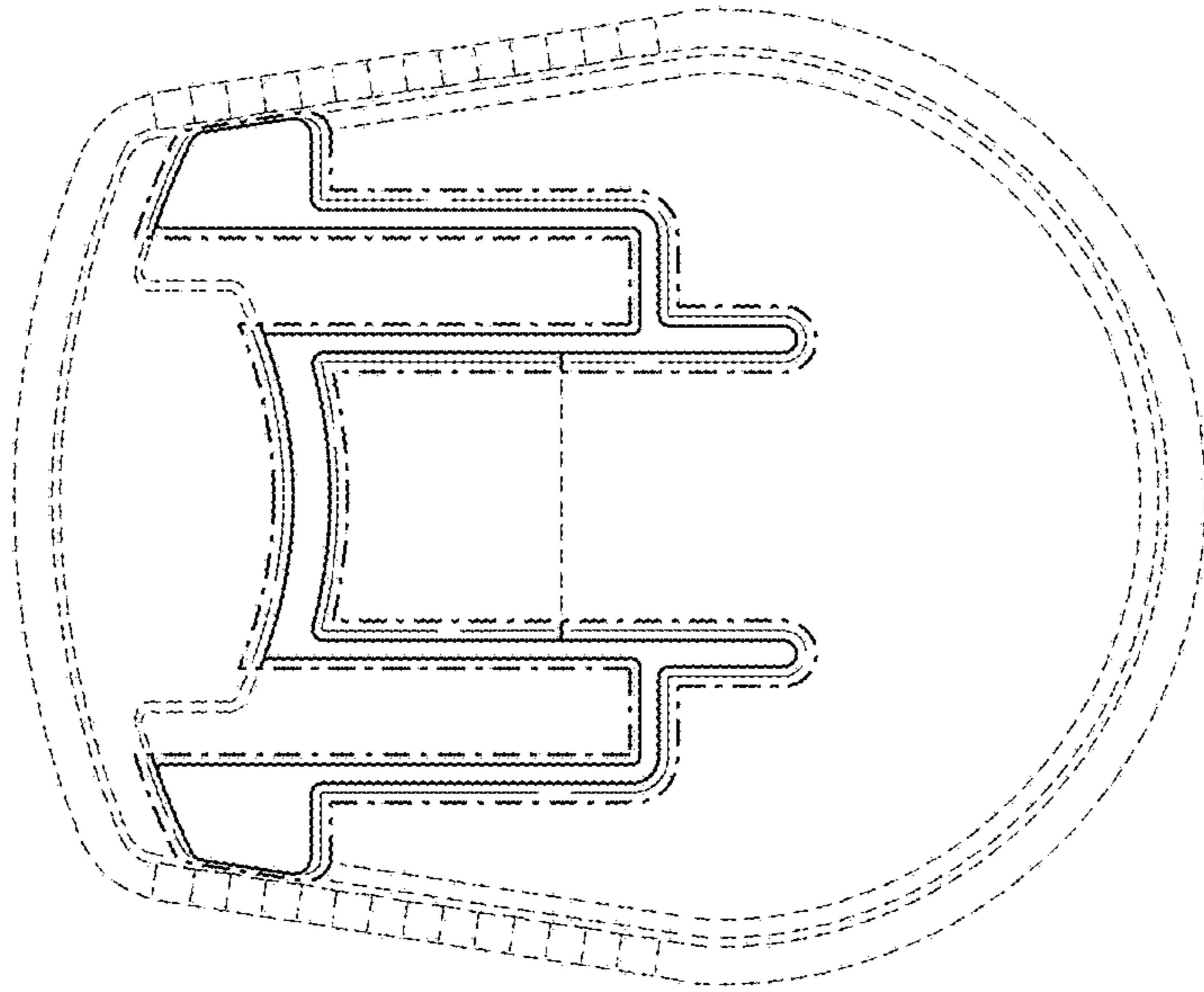


FIG. 4

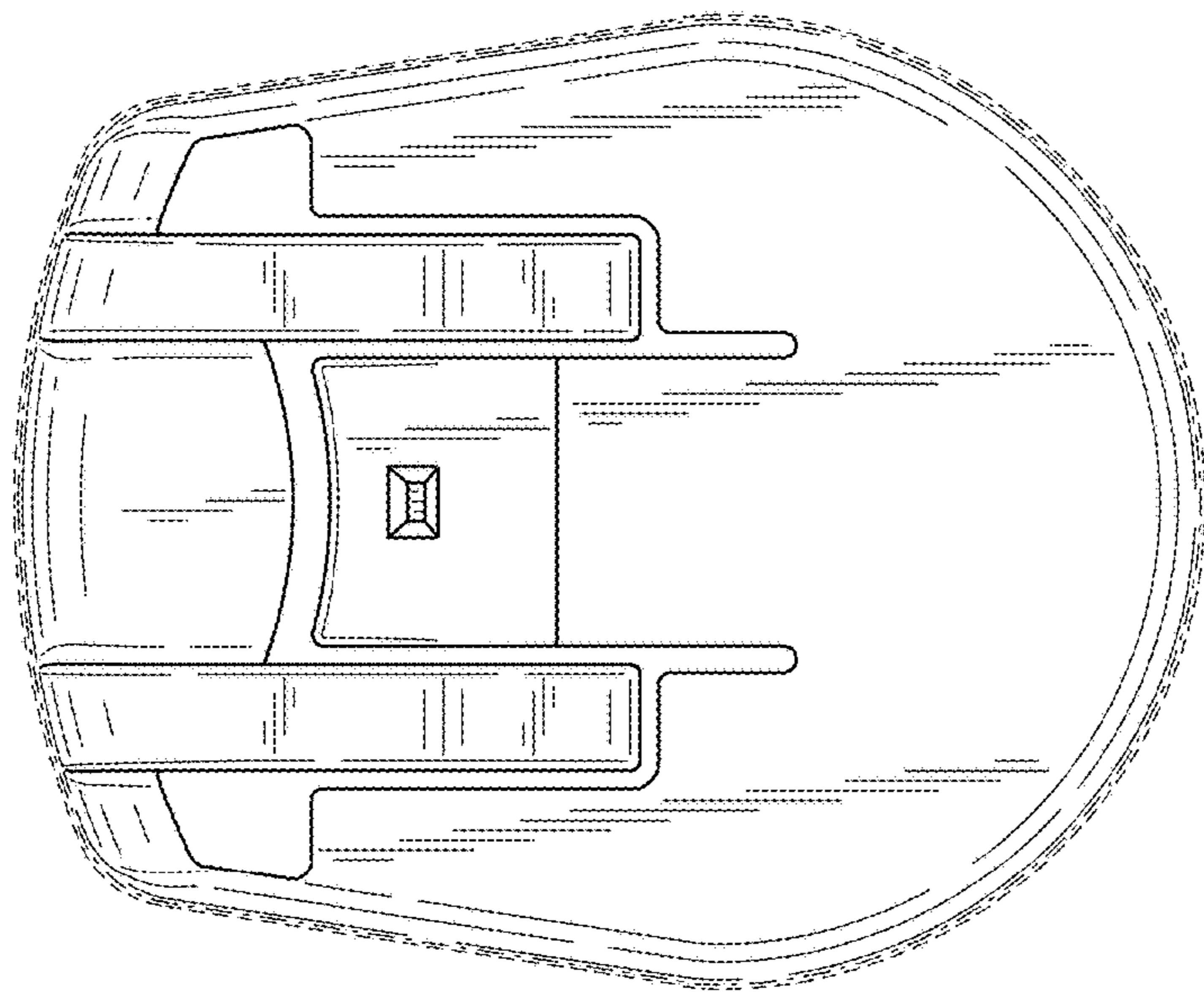


FIG. 3

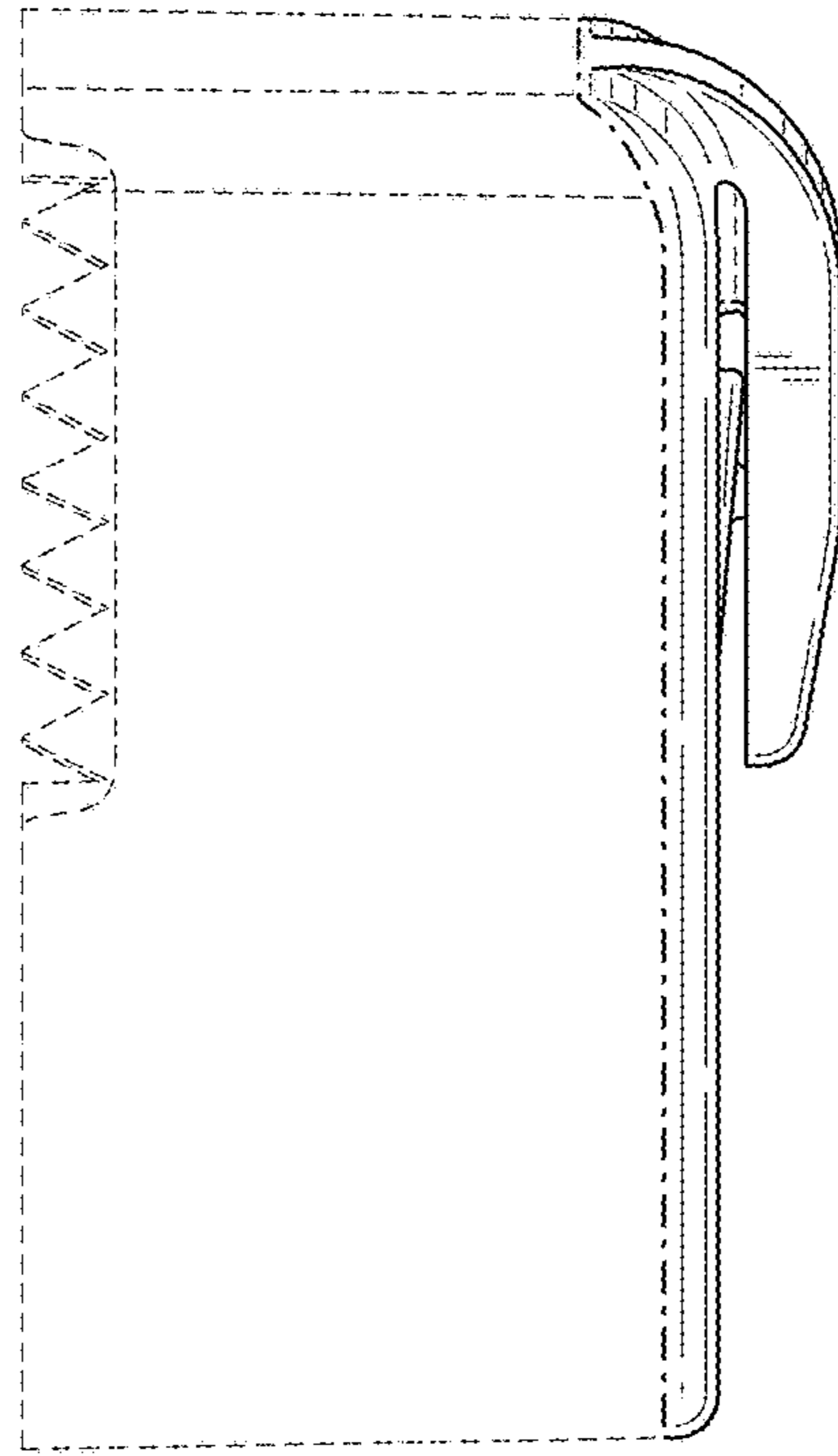


FIG. 5

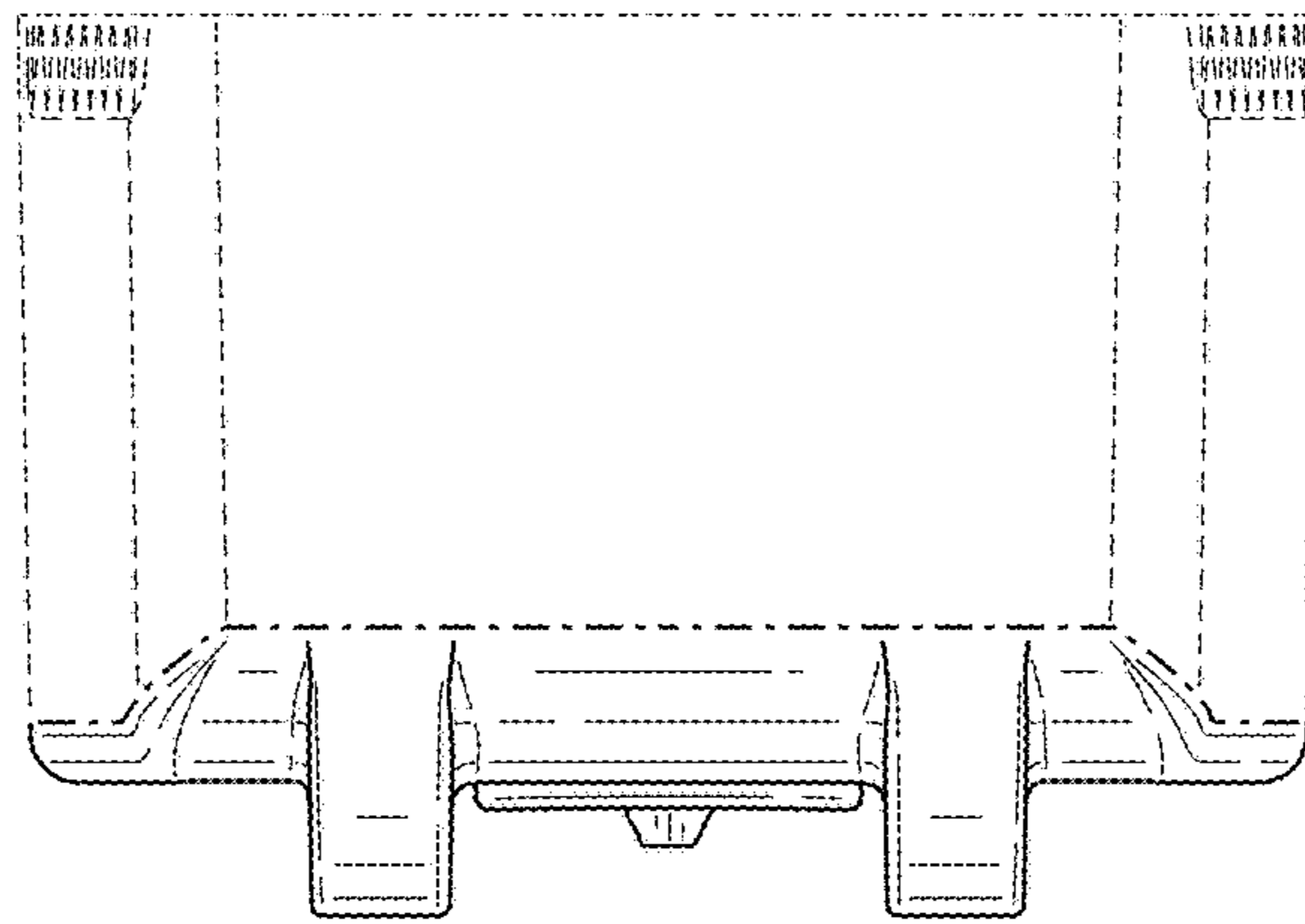


FIG. 6

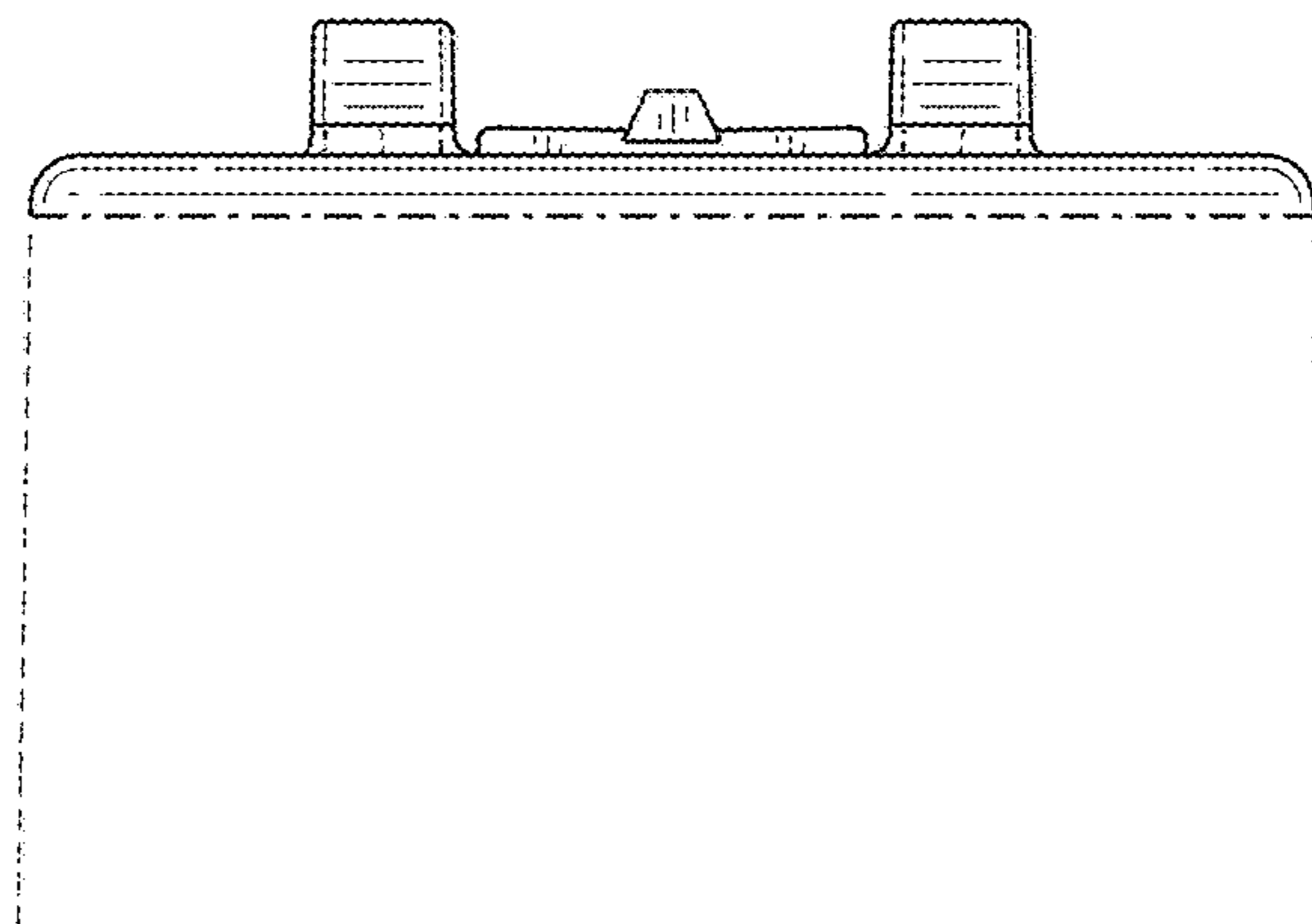


FIG. 7