



US00D857531S

(12) **United States Design Patent** (10) **Patent No.:** **US D857,531 S**  
**Kano et al.** (45) **Date of Patent:** **\*\* Aug. 27, 2019**

(54) **PHOTOELECTRIC SENSOR**

11/2504; G01B 11/2509; G01B 11/2513;  
G01B 11/2518; G01B 11/2522; G01B  
11/2527;

(71) Applicant: **Panasonic Intellectual Property  
Management Co., Ltd., Osaka (JP)**

(Continued)

(72) Inventors: **Yasuyuki Kano, Osaka (JP); Hiroyuki  
Satou, Osaka (JP); Tsutomu Egashira,  
Kumamoto (JP)**

(56)

**References Cited**

**U.S. PATENT DOCUMENTS**

(73) Assignee: **Panasonic Intellectual Property  
Management Co., Ltd., Osaka (JP)**

D531,525 S 11/2006 Dold et al.  
D737,163 S \* 8/2015 Yamamoto ..... D10/106.6  
(Continued)

(\*\*) Term: **15 Years**

**FOREIGN PATENT DOCUMENTS**

(21) Appl. No.: **29/648,548**

JP D1514160 12/2014  
JP D1516182 1/2015

(22) Filed: **May 22, 2018**

(Continued)

(30) **Foreign Application Priority Data**

Jan. 24, 2018 (JP) ..... 2018-001267

*Primary Examiner* — Antoine Duval Davis

(51) **LOC (12) Cl.** ..... **10-40**

(74) *Attorney, Agent, or Firm* — Panasonic IP  
Management; Kerry S. Culpepper

(52) **U.S. Cl.**

USPC ..... **D10/70; D10/106.6**

(57) **CLAIM**

(58) **Field of Classification Search**

USPC ..... D10/70, 106.6

We claim the ornamental design for a photoelectric sensor,  
as shown and described.

**DESCRIPTION**

CPC ..... G01B 11/00; G01B 11/002; G01B 11/005;

G01B 11/007; G01B 11/02; G01B

11/022; G01B 11/024; G01B 11/026;

G01B 11/028; G01B 11/03; G01B 11/04;

G01B 11/043; G01B 11/046; G01B

11/06; G01B 11/0608; G01B 11/0616;

G01B 11/0625; G01B 11/0633; G01B

11/0641; G01B 11/065; G01B 11/0658;

G01B 11/0666; G01B 11/0675; G01B

11/0683; G01B 11/0691; G01B 11/08;

G01B 11/10; G01B 11/105; G01B 11/12;

G01B 11/14; G01B 11/16; G01B 11/161;

G01B 11/162; G01B 11/164; G01B

11/165; G01B 11/167; G01B 11/18;

G01B 11/20; G01B 11/22; G01B 11/24;

G01B 11/2408; G01B 11/2416; G01B

11/2425; G01B 11/2433; G01B 11/2441;

G01B 11/245; G01B 11/25; G01B

FIG. 1 is a front perspective view of a photoelectric sensor  
of the present invention;

FIG. 2 is a front view thereof;

FIG. 3 is a rear view thereof;

FIG. 4 is a first side view thereof;

FIG. 5 is a second side view thereof;

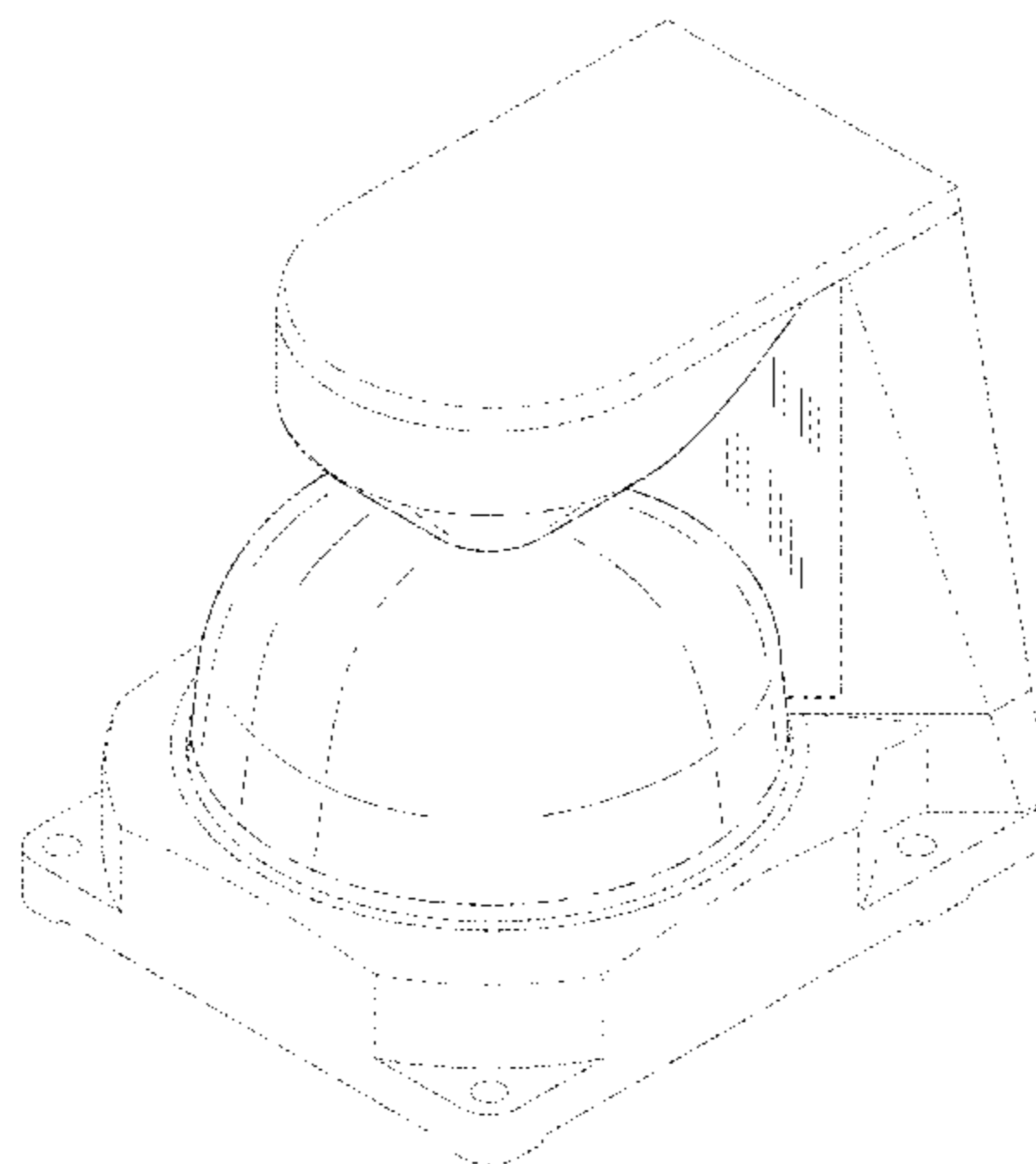
FIG. 6 is a top view thereof;

FIG. 7 is a bottom view thereof; and,

FIG. 8 is a cross-sectional view taken along the line 8-8 in  
FIG. 2.

The broken lines in the drawings represent portions of the  
photoelectric sensor that form no part of the claimed design.  
Additionally, the dash-dot-dashed lines in the drawings  
define the boundaries of the claimed design.

**1 Claim, 8 Drawing Sheets**



(58) **Field of Classification Search**

CPC ..... G01B 11/2531; G01B 11/2536; G01B 11/254; G01B 11/2545; G01B 11/255; G01B 11/26; G01B 11/27; G01B 11/272; G01B 11/275; G01B 11/2755; G01B 11/28; G01B 11/285; G01B 11/30; G01B 11/303; G01B 11/306; G01J 1/00; G01J 1/02; G01J 1/0204; G01J 1/0209; G01J 1/0214; G01J 1/0228; G01J 1/0233; G01J 1/0266; G01J 1/0271; G01J 2001/028; G01J 1/0219; G01J 1/0223; G01J 1/0238; G01J 1/0242; G01J 1/0247; G01J 1/0252; G01J 2001/0257; G01J 2001/0261; G01J 2001/0285; G01J 1/029; G01J 1/0295; G01J 1/18; G01J 1/16; G01V 8/005; G01V 8/02; G01V 8/10; G01V 8/12; G01V 8/14; G01V 8/16; G01V 8/18;

G01V 8/20; G01V 8/22; G01V 8/24; G01V 8/26; G01V 8/00; H03K 2014/9634; H03K 17/9629; H03K 17/9631; H03K 17/9636; H03K 17/9638

See application file for complete search history.

(56)

**References Cited**

U.S. PATENT DOCUMENTS

D737,695 S 9/2015 Angenendt et al.  
D749,438 S \* 2/2016 Tsukuda ..... D10/106.6  
D753,520 S \* 4/2016 Takenaka ..... D10/106.1

FOREIGN PATENT DOCUMENTS

JP D1516302 1/2015  
JP D1516303 1/2015

\* cited by examiner

FIG. 1

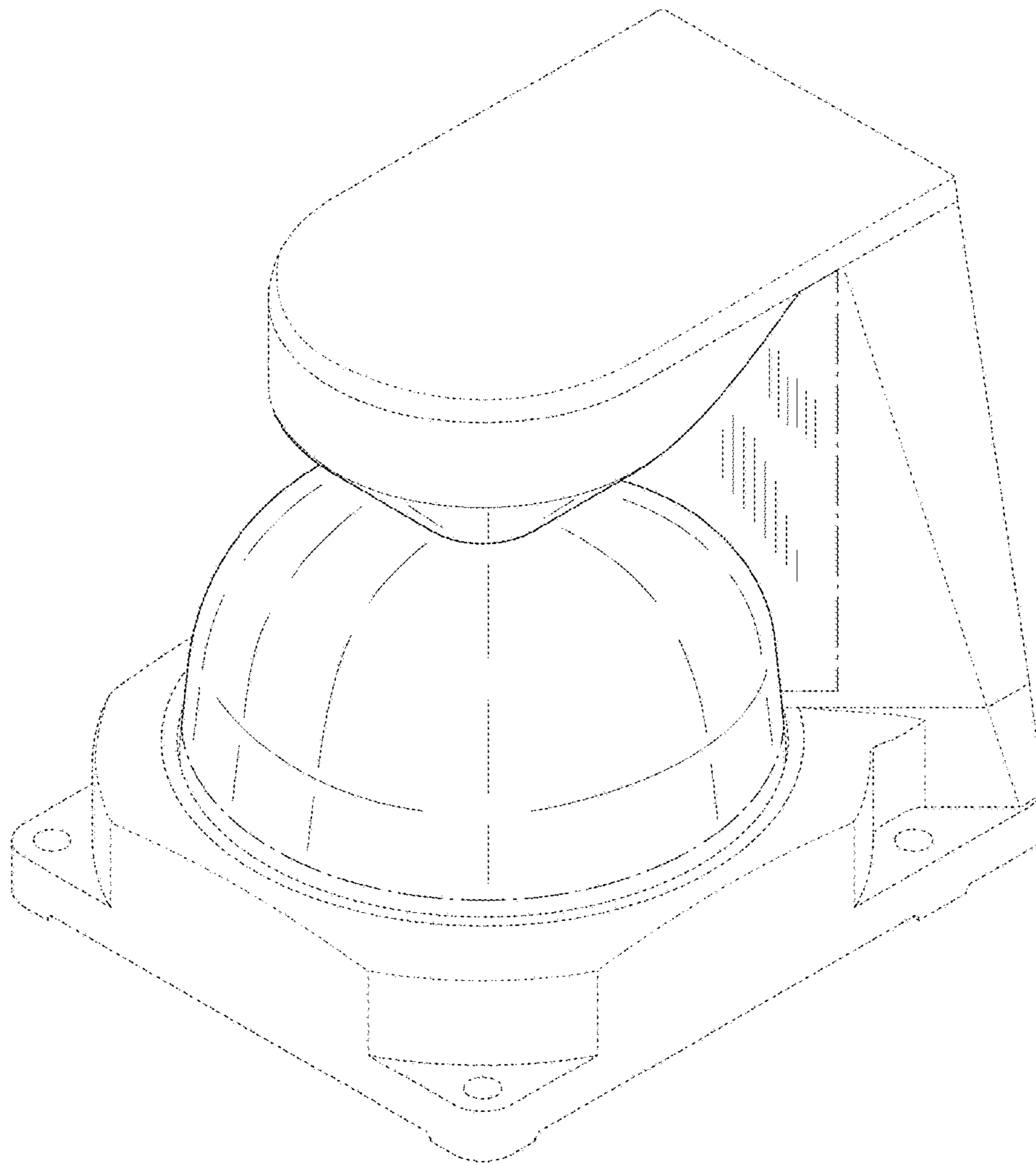


FIG. 2

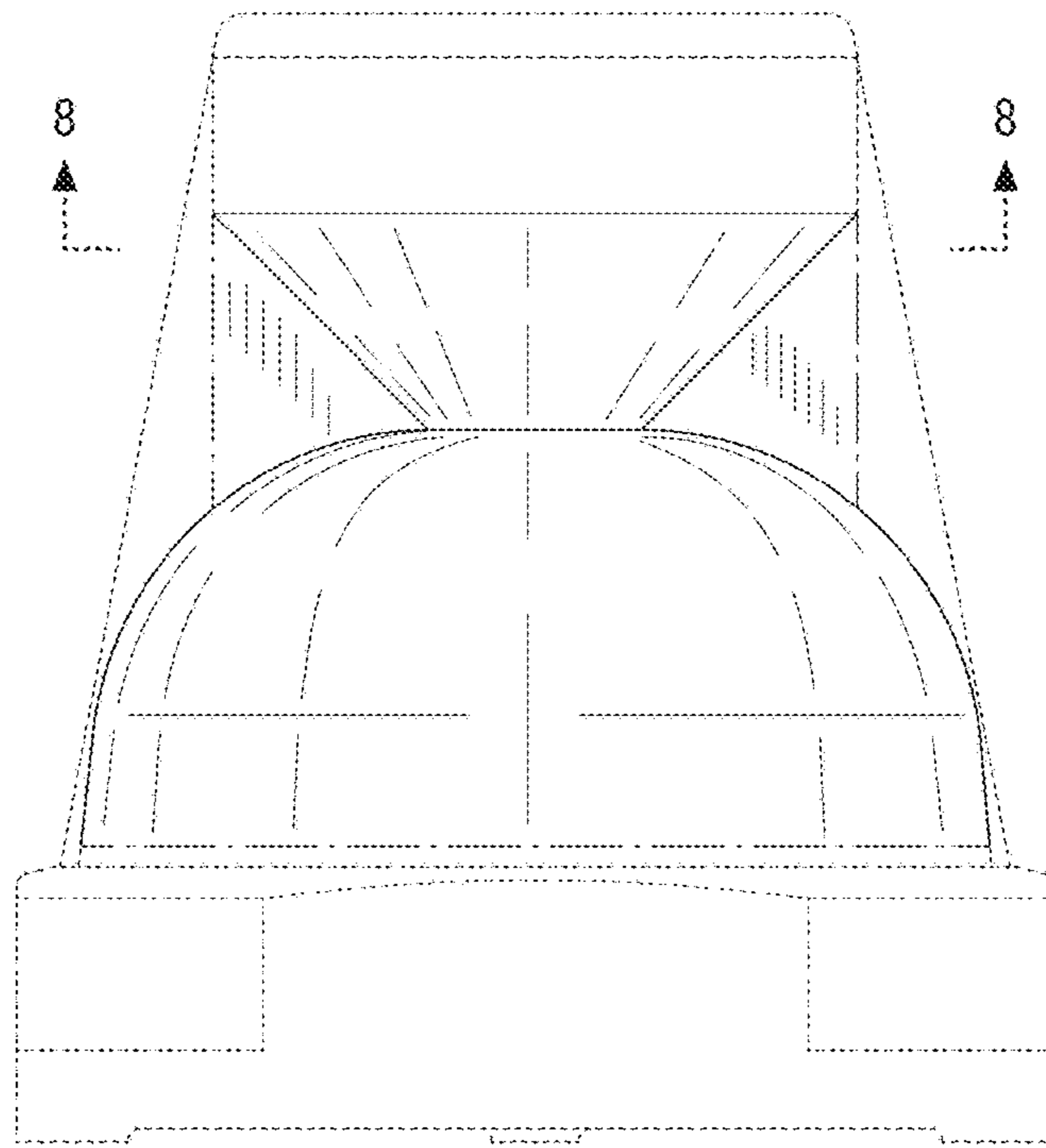


FIG. 3

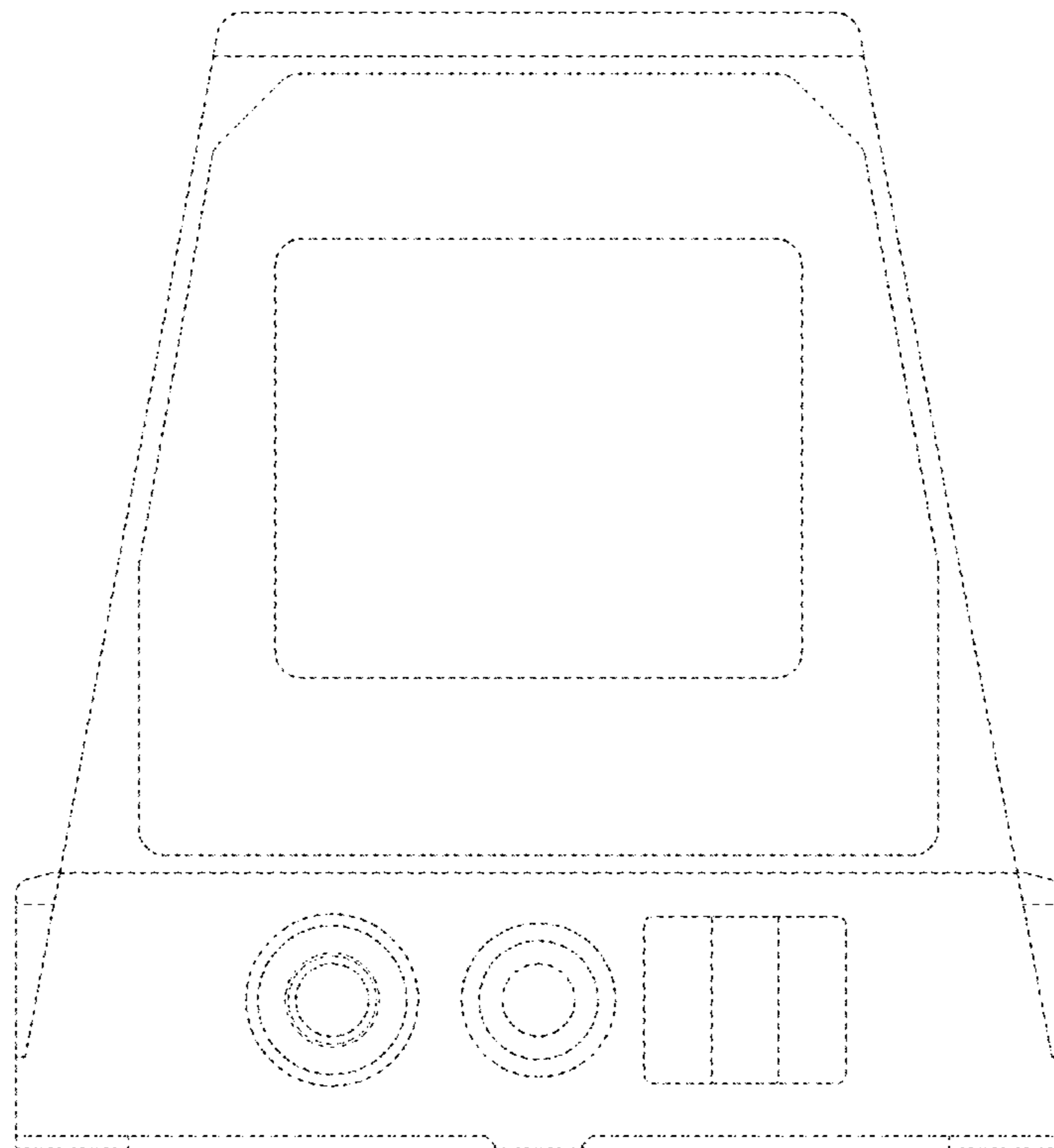


FIG. 4

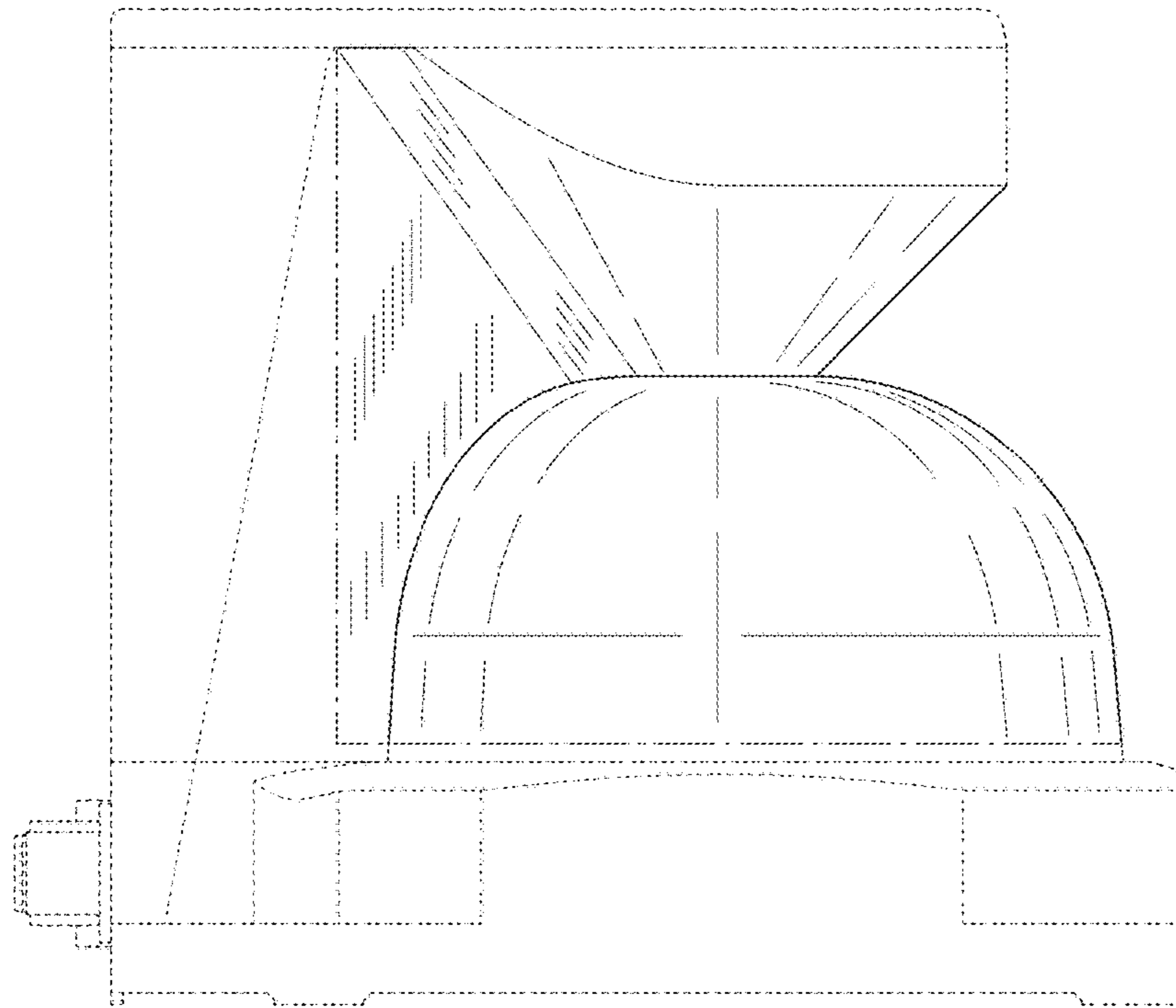


FIG. 5

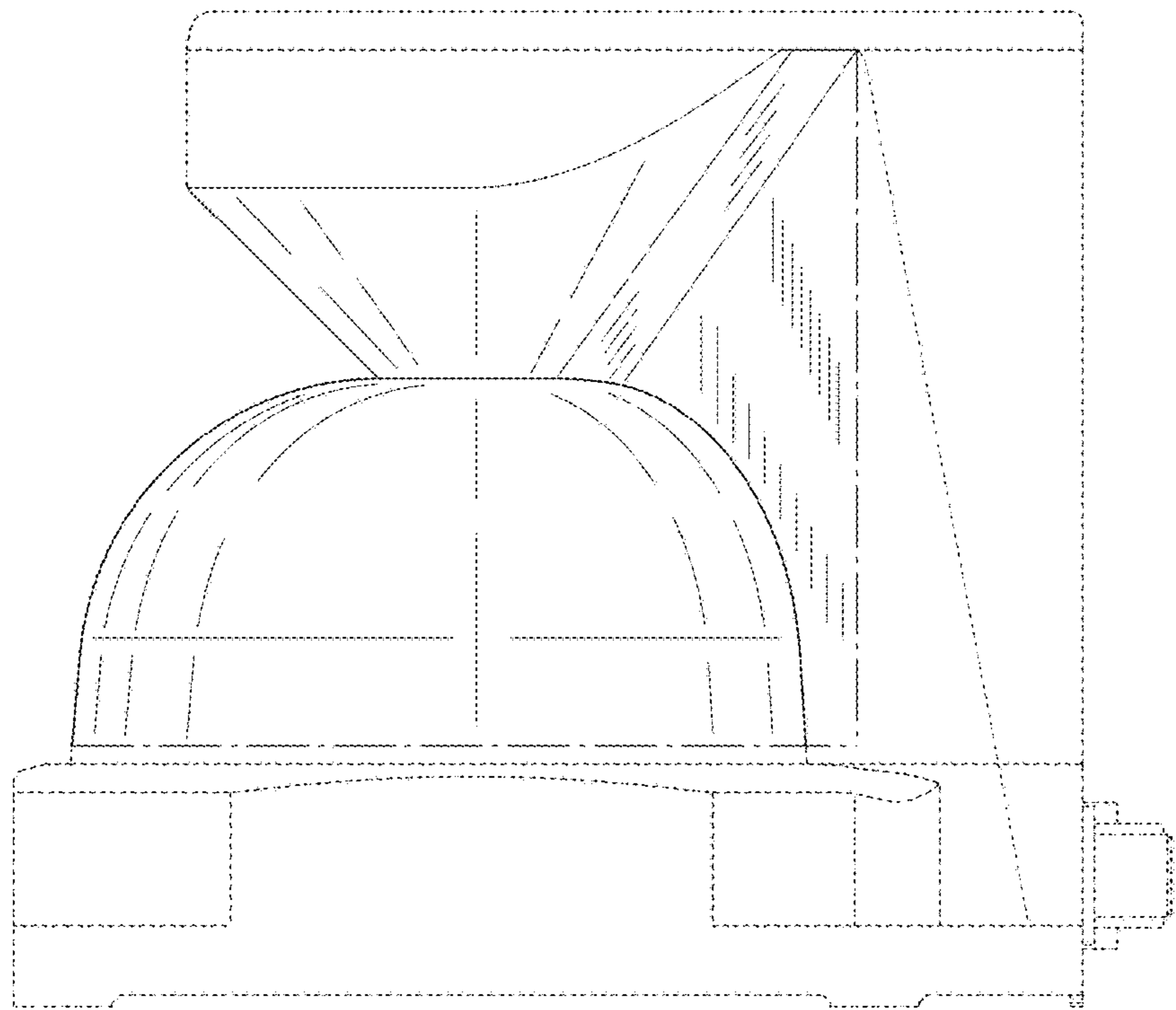


FIG. 6

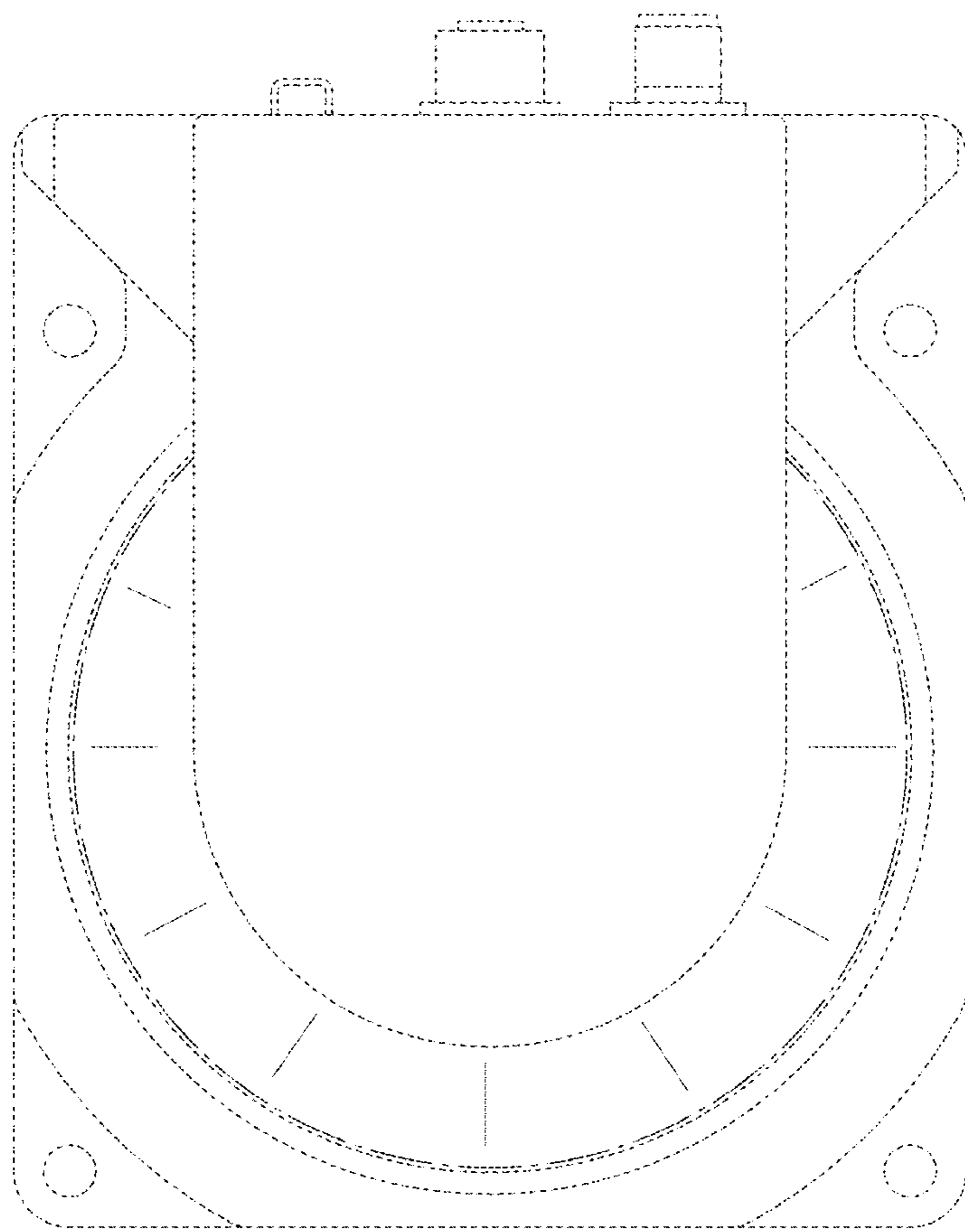




FIG. 7

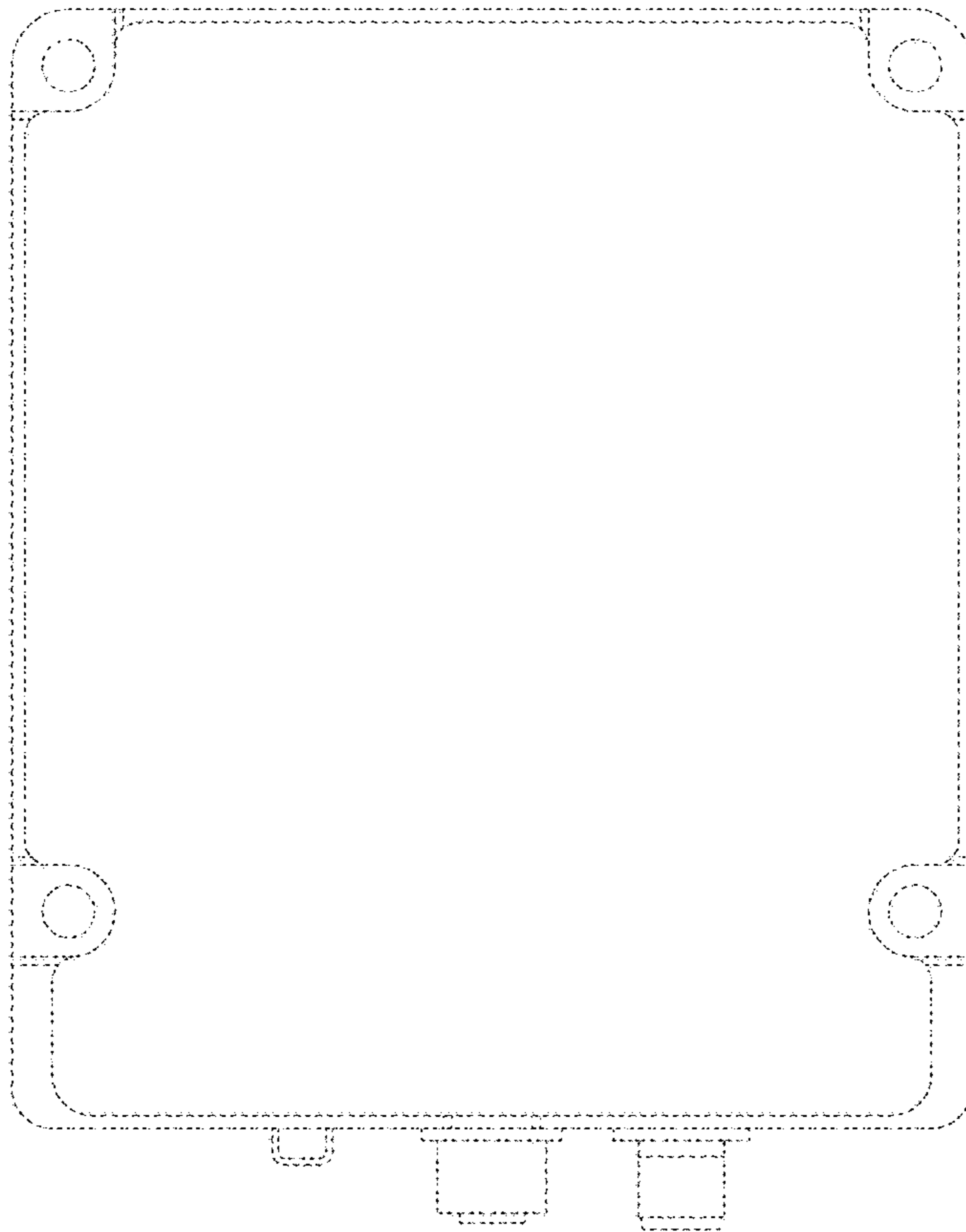


FIG. 8

