



US00D857530S

(12) **United States Design Patent**
Dellaert et al.

(10) **Patent No.:** **US D857,530 S**

(45) **Date of Patent:** **** Aug. 27, 2019**

(54) **DEPTH MAPPING DEVICE**

7,752,771 B2 * 7/2010 Wu G01B 5/18
33/542

(71) Applicant: **Facebook Technologies, LLC**, Menlo Park, CA (US)

* cited by examiner

(72) Inventors: **Frank Joris Maria Jan Dellaert**, Palo Alto, CA (US); **Saara Khan**, Mountain View, CA (US)

Primary Examiner — Antoine Duval Davis

(74) *Attorney, Agent, or Firm* — Fenwick & West LLP

(73) Assignee: **Facebook Technologies, LLC**, Menlo Park, CA (US)

(57) **CLAIM**

(**) Term: **15 Years**

We claim the ornamental design for a depth mapping device, as shown and described.

(21) Appl. No.: **29/643,141**

(22) Filed: **Apr. 4, 2018**

(51) **LOC (12) Cl.** **10-04**

(52) **U.S. Cl.**
USPC **D10/65**

(58) **Field of Classification Search**
USPC D10/65, 70
CPC G01B 3/28
See application file for complete search history.

DESCRIPTION

FIG. 1 is a top isometric view of a depth mapping device showing the new design.

FIG. 2 is a front view thereof.

FIG. 3 is a back view thereof.

FIG. 4 is a left view thereof.

FIG. 5 is right view thereof.

FIG. 6 is a top view thereof; and,

FIG. 7 is a bottom view thereof.

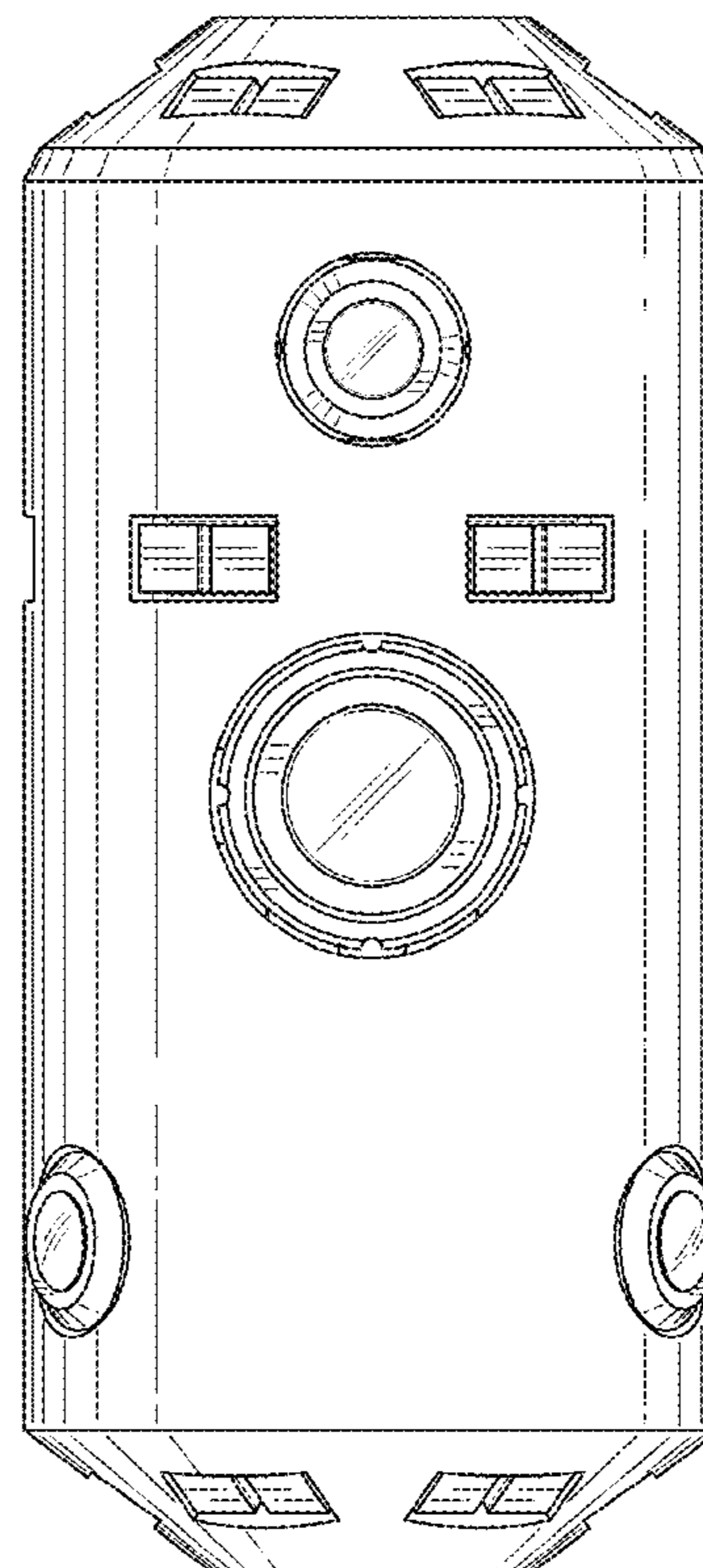
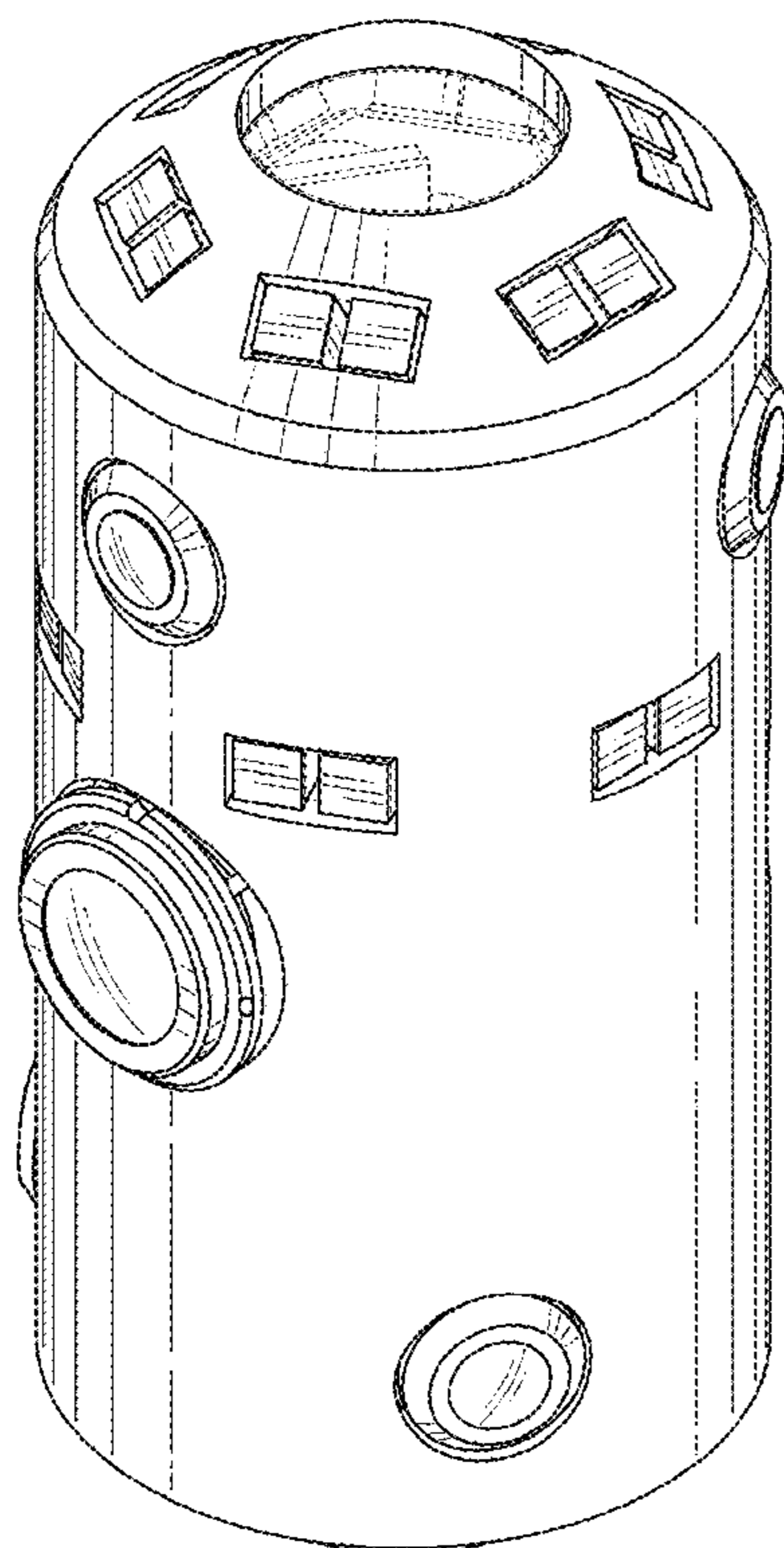
The broken lines in the figures form no part of the claimed design.

(56) **References Cited**

U.S. PATENT DOCUMENTS

5,038,600 A * 8/1991 Friedman G01B 3/28
33/502

1 Claim, 7 Drawing Sheets



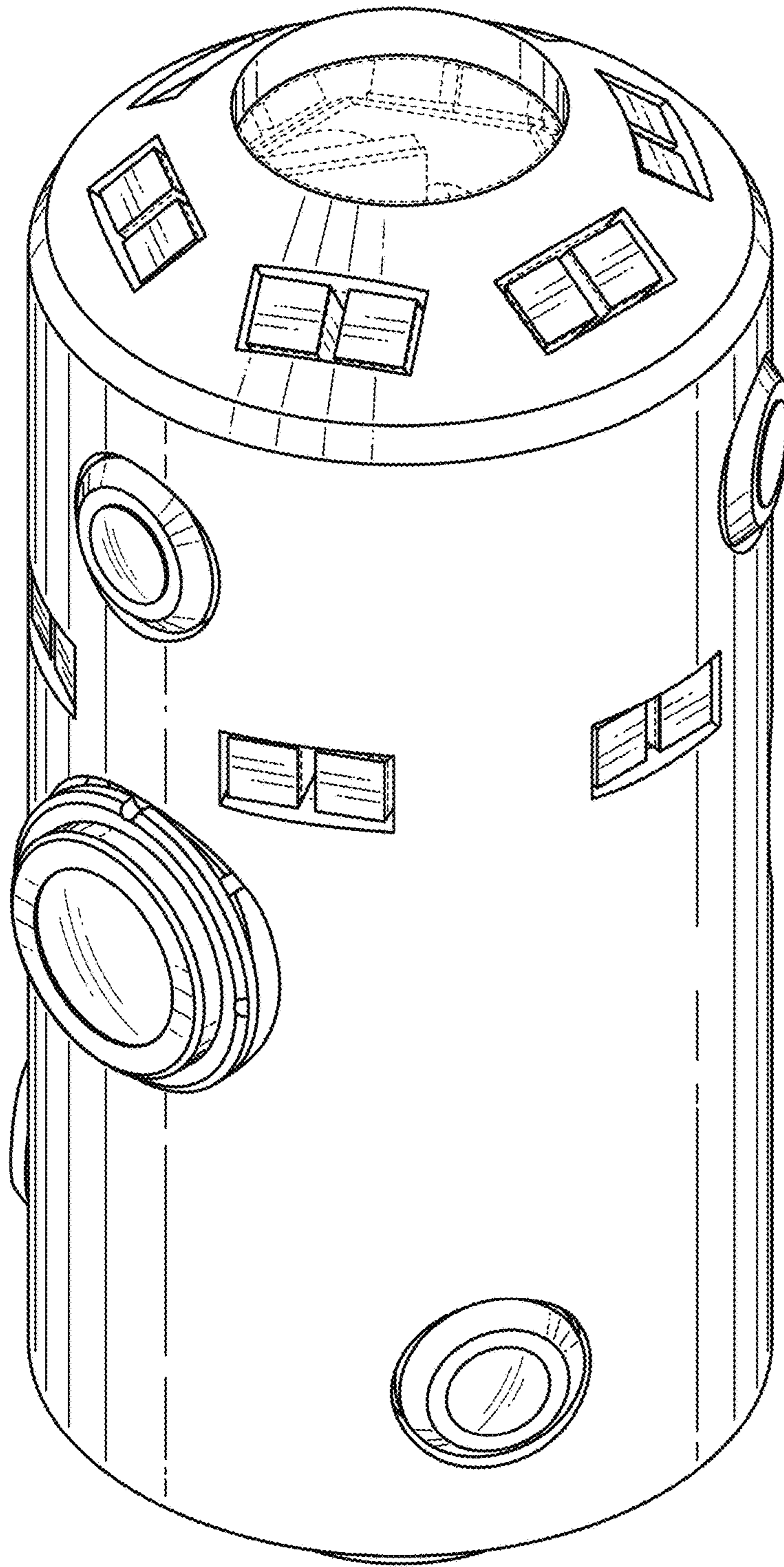


FIG. 1

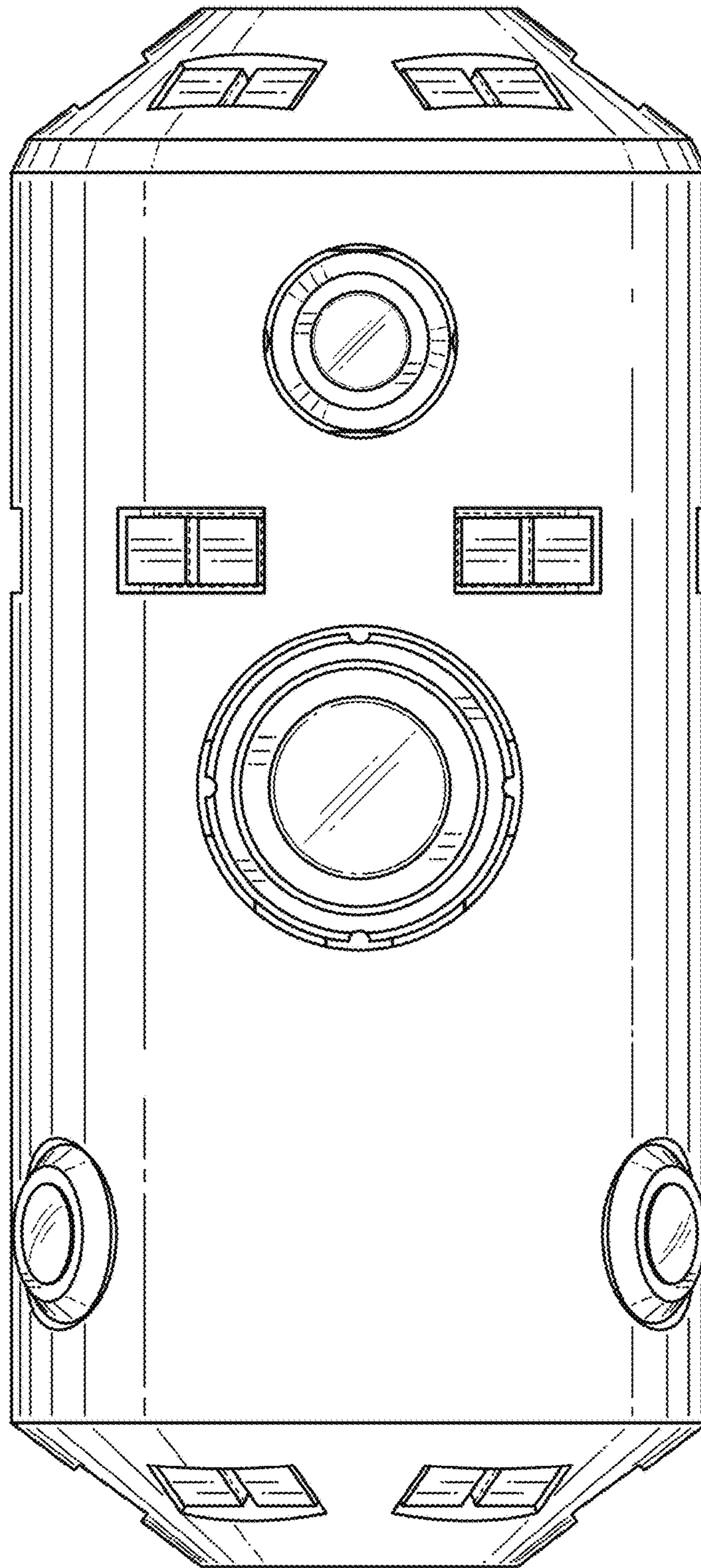


FIG. 2

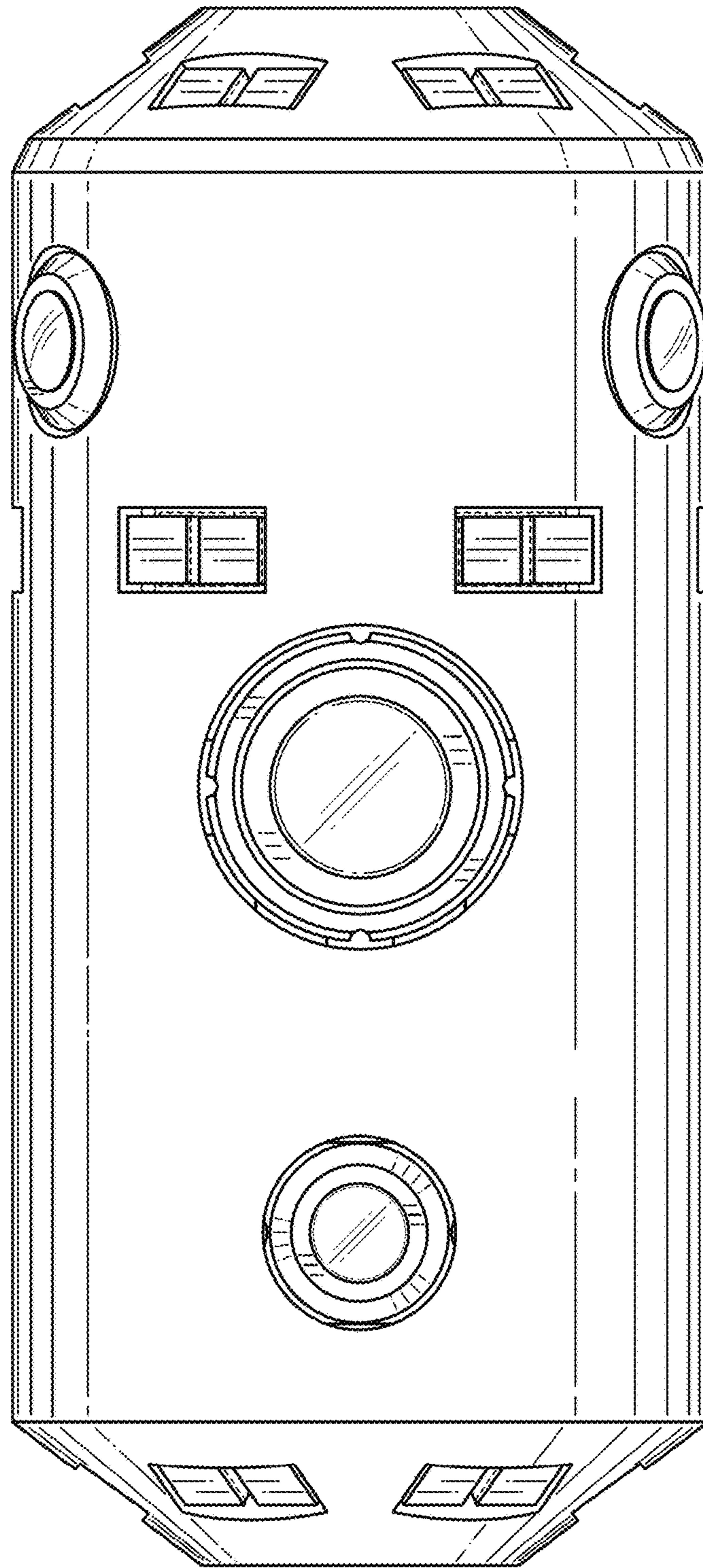


FIG. 3

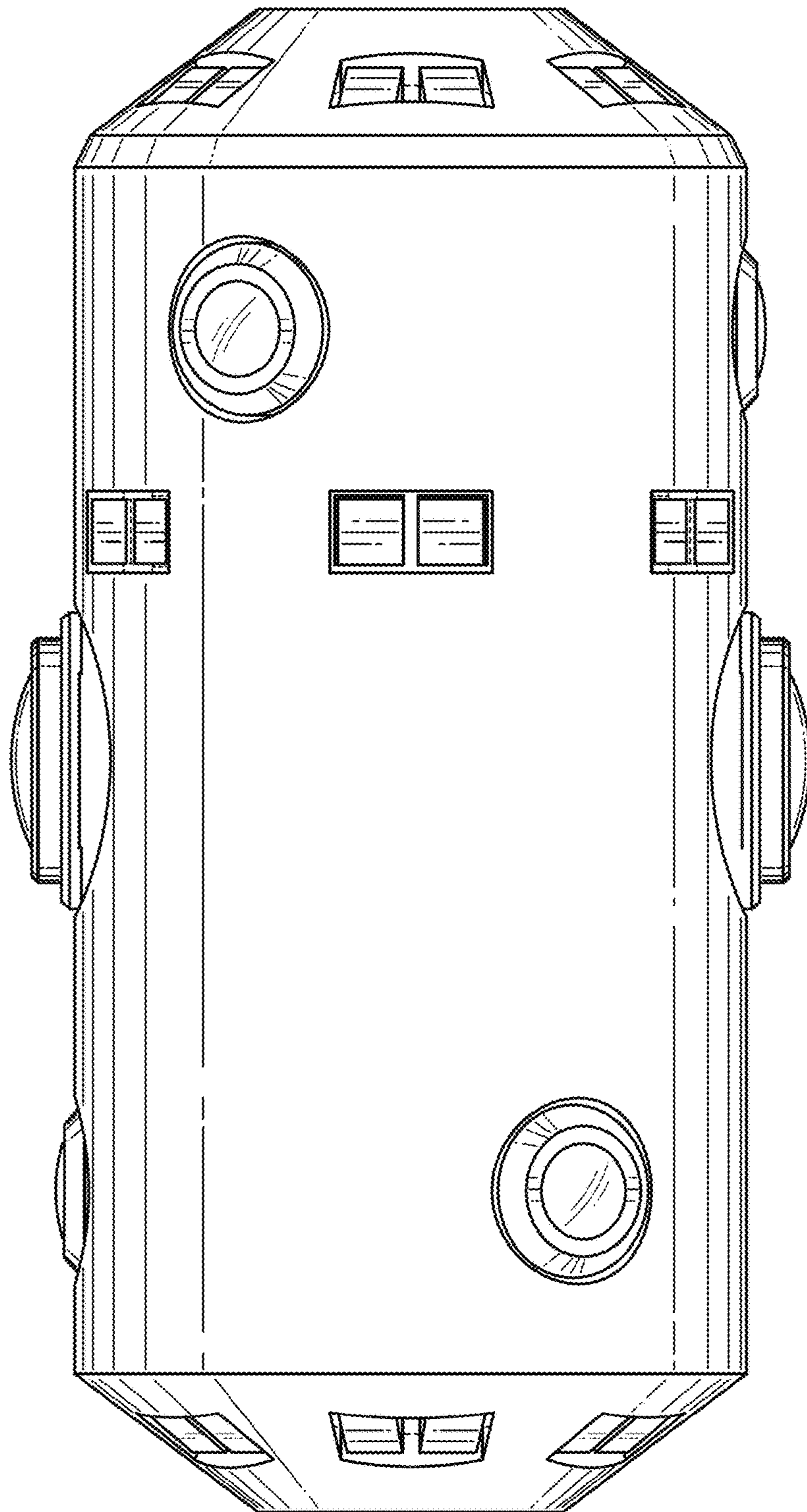


FIG. 4

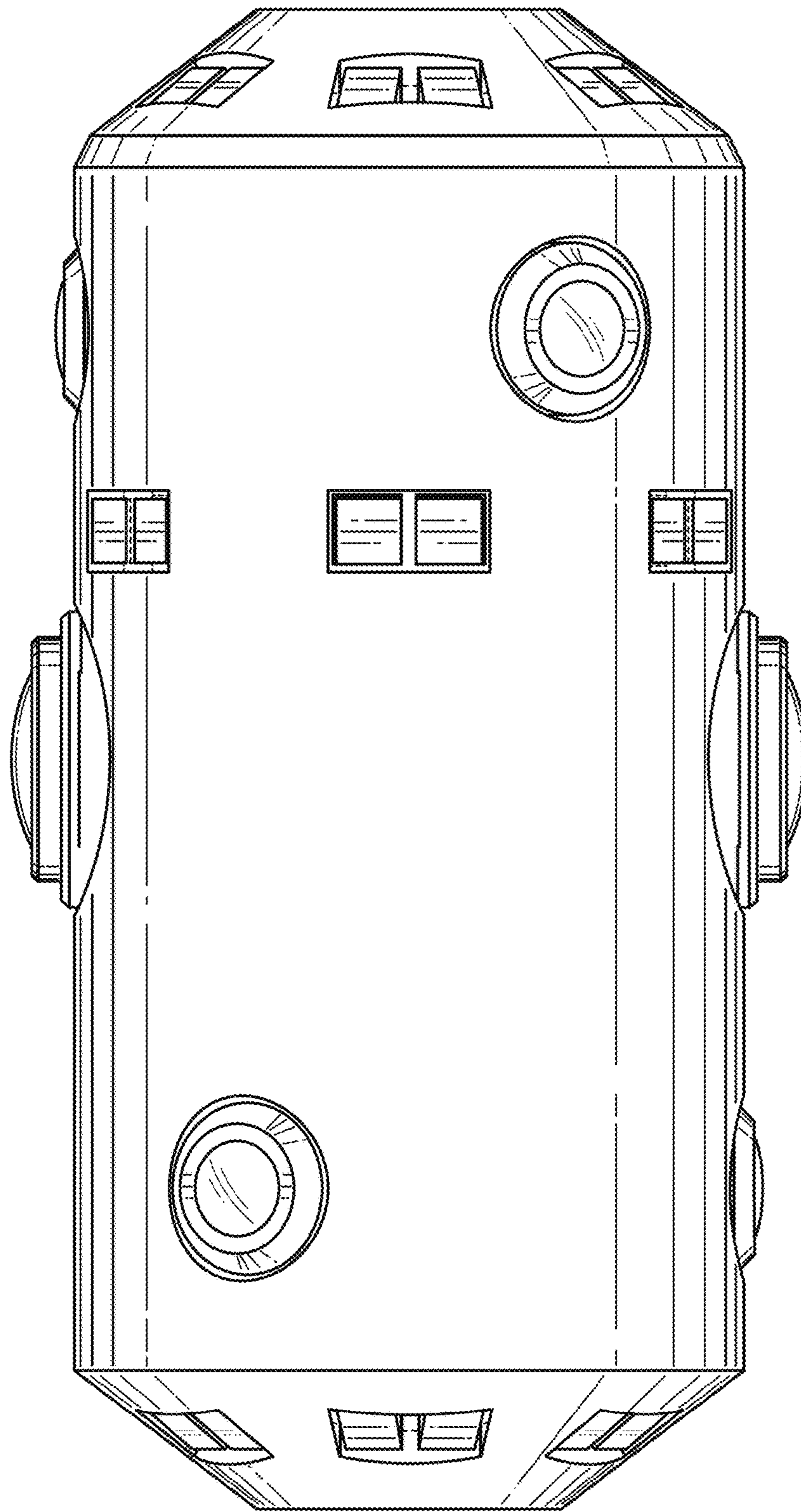


FIG. 5

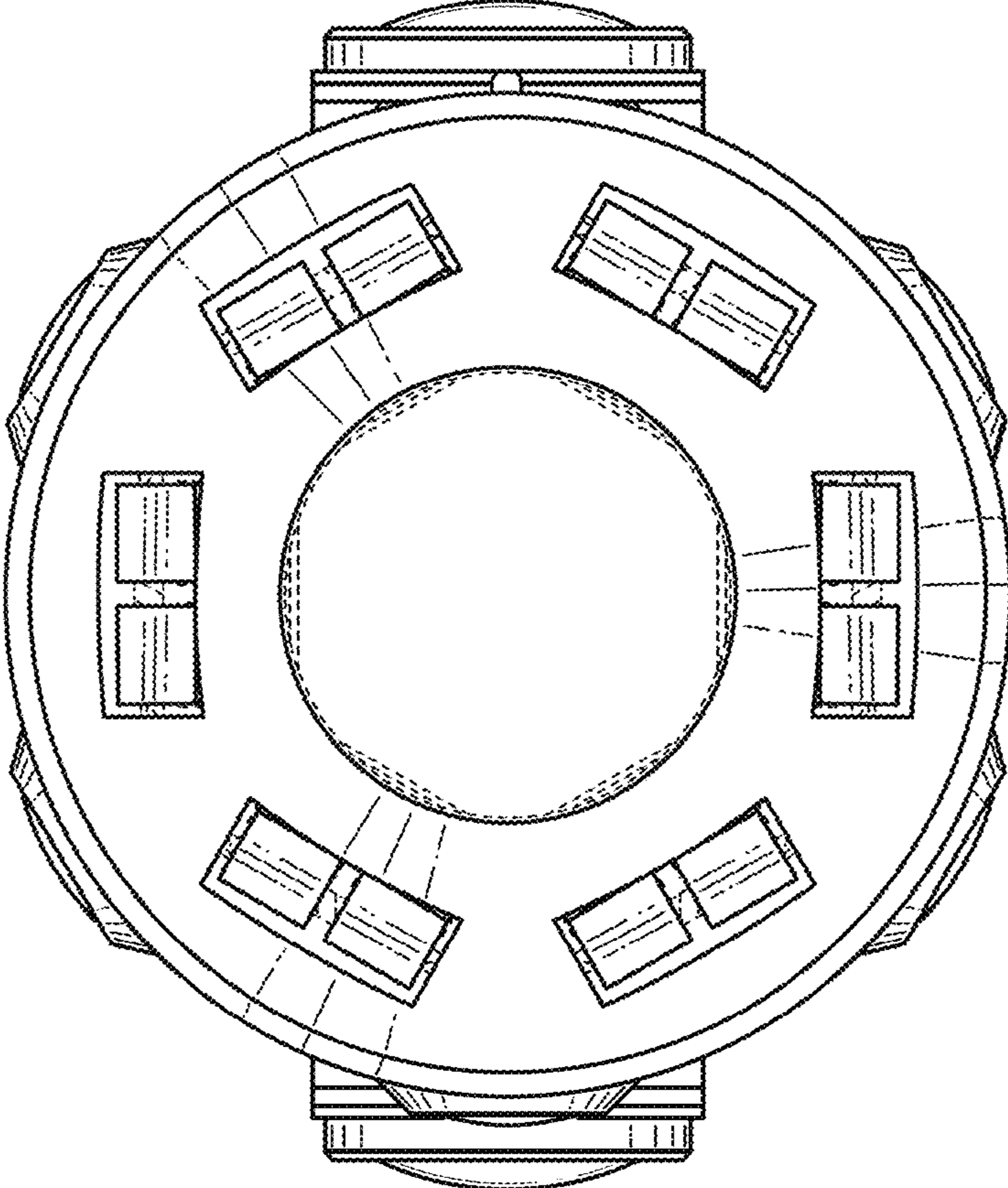


FIG. 6

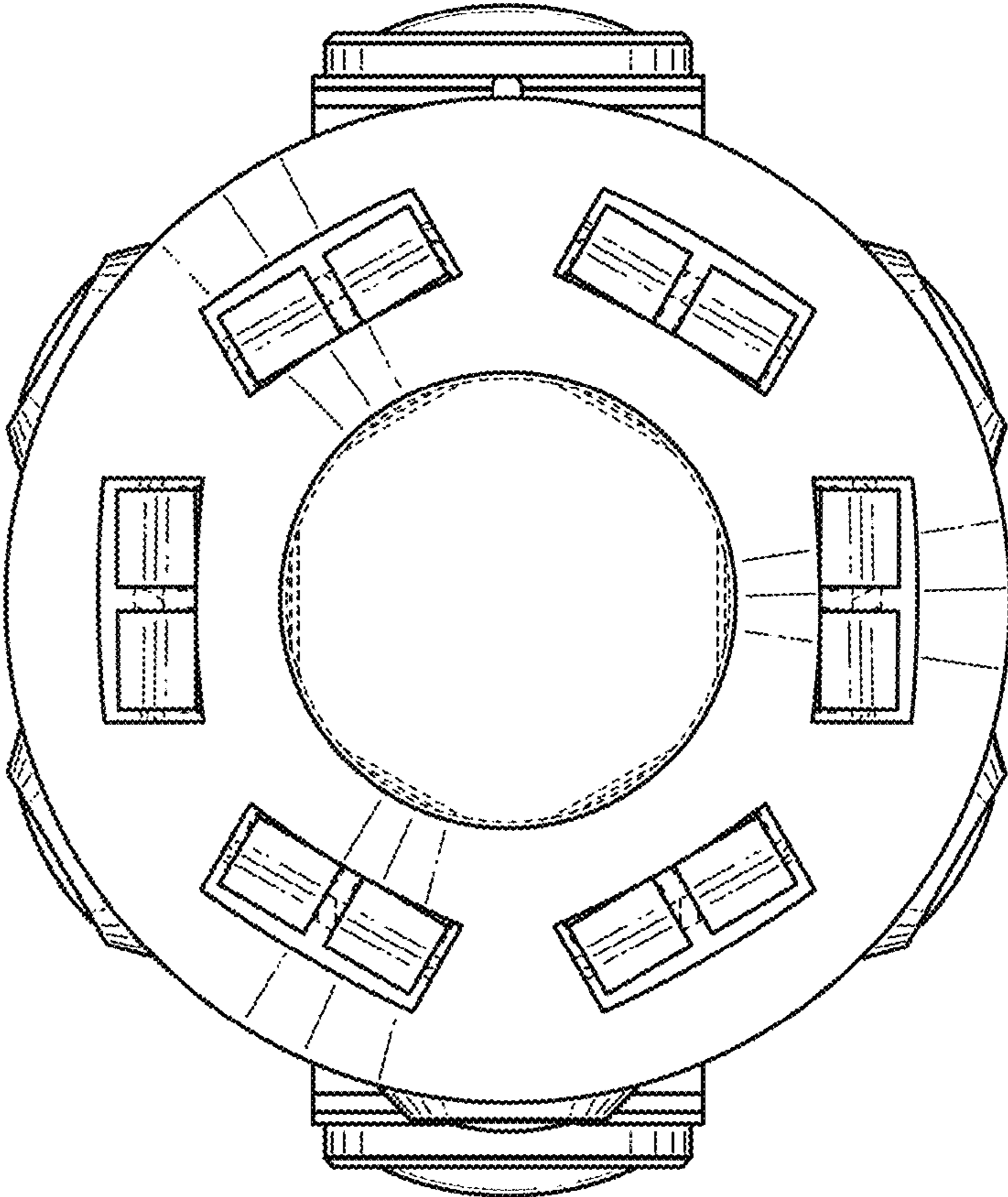


FIG. 7