



US00D857529S

(12) **United States Design Patent** (10) **Patent No.:** **US D857,529 S**
Rodriguez et al. (45) **Date of Patent:** **** Aug. 27, 2019**

- (54) **IRRIGATION CONTROLLER**
- (71) Applicant: **Orbit Irrigation Products, LLC**, North Salt Lake, UT (US)
- (72) Inventors: **Hugo Rodriguez**, Lake Oswego, OR (US); **Amy Marie Yamasaki**, Fruit Heights, UT (US)
- (73) Assignee: **Orbit Irrigation Products, LLC**, North Salt Lake, UT (US)
- (**) Term: **15 Years**
- (21) Appl. No.: **29/640,145**
- (22) Filed: **Mar. 12, 2018**
- (51) **LOC (12) Cl.** **10-04**
- (52) **U.S. Cl.**
 USPC **D10/49; D10/40; D13/162.1**
- (58) **Field of Classification Search**
 USPC **D10/40, 49, 50, 102, 103; D13/162, D13/162.1, 164, 168, 173, 177, 184; D23/246**
 CPC **B05B 12/02; G01F 11/30; G05D 11/00; F16K 31/02; A01G 25/16; A01G 25/162; A01G 25/165; A01G 27/003; A01G 27/008; Y10T 137/86397; Y10T 137/87877; Y10T 137/86461; Y10T 137/86389**
 See application file for complete search history.

- D779,343 S 2/2017 Ericksen
 D781,160 S 3/2017 Ericksen
 D782,340 S 3/2017 Ericksen
 (Continued)

OTHER PUBLICATIONS

U.S. Appl. No. 29/640,167, filed Mar. 12, 2018, Rodriguez.
(Continued)

Primary Examiner — Antoine Duval Davis
(74) *Attorney, Agent, or Firm* — Austin Rapp

(57) **CLAIM**

The ornamental design for an irrigation controller, as shown and described.

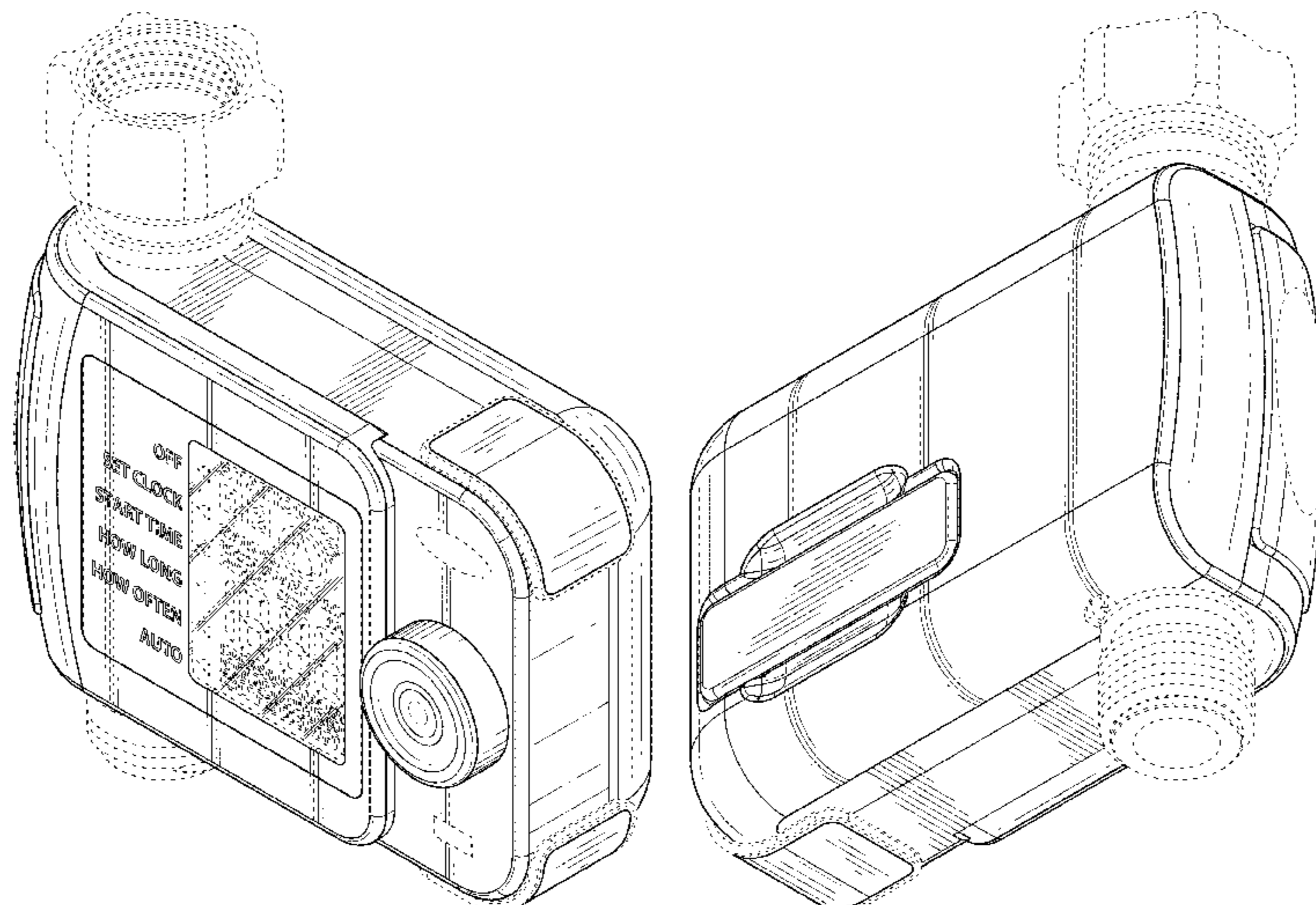
DESCRIPTION

FIG. 1 is a first top perspective view of an irrigation controller, according to our new design;
 FIG. 2 is a first bottom perspective view of the irrigation controller shown in FIG. 1;
 FIG. 3 is a second top perspective view of the irrigation controller shown in FIG. 1;
 FIG. 4 is a second bottom perspective view of the irrigation controller shown in FIG. 1;
 FIG. 5 is a left side elevational view of the irrigation controller shown in FIG. 1;
 FIG. 6 is a right side elevational view of the irrigation controller shown in FIG. 1;
 FIG. 7 is a front side elevational view of the irrigation controller shown in FIG. 1;
 FIG. 8 is a rear side elevational view of the irrigation controller shown in FIG. 1;
 FIG. 9 is a top view of the irrigation controller shown in FIG. 1; and,
 FIG. 10 is a bottom view of the irrigation controller shown in FIG. 1.
 The portions of the irrigation controller shown in broken lines form no part of the claimed design.

(56) **References Cited**
U.S. PATENT DOCUMENTS

- D559,708 S * 1/2008 Michael D10/40
 D647,411 S * 10/2011 Barton D10/40
 D657,263 S * 4/2012 Nies D10/40
 D658,519 S 5/2012 Connolly
 D659,029 S 5/2012 Connolly
 D682,714 S * 5/2013 Barton D10/40
 D713,271 S 9/2014 Ericksen
 9,380,750 B2 * 7/2016 Wang A01G 25/165
 D778,738 S 2/2017 Ericksen

1 Claim, 10 Drawing Sheets



(56)

References Cited

U.S. PATENT DOCUMENTS

D787,955 S 5/2017 Ericksen
D810,700 S * 2/2018 Jenkins D13/162

OTHER PUBLICATIONS

U.S. Appl. No. 29/640,175, filed Mar. 12, 2018, Rodriguez.
U.S. Appl. No. 29/640,179, filed Mar. 12, 2018, Rodriguez.
Orbit Irrigation Products, Inc., The product(s) shown in attachment 1 were sold or offered for sale by Orbit Irrigation Products, Inc., on or before Nov. 2008.
Robert Bosch Tool Corporation, The product(s) shown in attachment 2 were sold or offered for sale by Robert Bosch Tool Corporation under the brand name Nelson on or before Mar. 19, 2013.
Melnor, Inc., The product(s) shown in attachment 3 were sold or offered for sale by Melnor, Inc., on or before Mar. 19, 2013.
Rain Bird Corporation, the product(s) shown in attachment 4 was sold or offered for sale by Rain Bird Corporation at least by Mar. 19, 2012.
Orbit Irrigation Products, Inc., the product(s) shown in attachment 5 were sold or offered for sale by Orbit Irrigation Products, Inc., at least by Mar. 19, 2012.
Orbit Irrigation Products, Inc., the product(s) shown in attachment 6 was sold or offered for sale by Orbit Irrigation Products, Inc., at least by Mar. 19, 2012.

Orbit Irrigation Products, Inc., Lowe's Hose End 2014 Product Review, the items shown in Attachment 7 were disclosed and/or offered sale in a private meeting on Jun. 11, 2013.
Orbit Irrigation Products, Inc., Product No. 56544 2-Outlet Hose Faucet Timer, online catalog, apparently published on or before Apr. 28, 2015, Retrieved from the Internet Apr. 20, 2016 <URL: <http://www.homedepot.com/p/Orbit-2-Outlet-Hose-Faucet-Timer-56544/205585024>> (shown in attachment 8).
Orbit Irrigation Products, Inc., Hose Faucet Timers, Product Nos. 24695 and 24723 the items shown in Attachment 9 were disclosed and/or offered sale in a private meeting on Mar. 13, 2013.
Notice of Allowance and Fee(s) Due (including a Notice of Allowability for a Design Application section, and an examiner's amendment to the record section), U.S. Appl. No. 29/640,167, dated Apr. 11, 2019 (shown in attachment 10).
Notice of Allowance and Fee(s) Due (including a Notice of Allowability for a Design Application section, and an examiner's amendment to the record section), U.S. Appl. No. 29/640,167, dated May 1, 2019 (shown in attachment 11).
Notice of Allowance and Fee(s) Due (including a Notice of Allowability for a Design Application section, and an examiner's amendment section), U.S. Appl. No. 29/640,175, dated Feb. 26, 2019 (shown in attachment 12).
Notice of Allowance and Fee(s) Due (including a Notice of Allowability for a Design Application section), U.S. Appl. No. 29/640,179, dated Apr. 11, 2019 (shown in attachment 13).

* cited by examiner

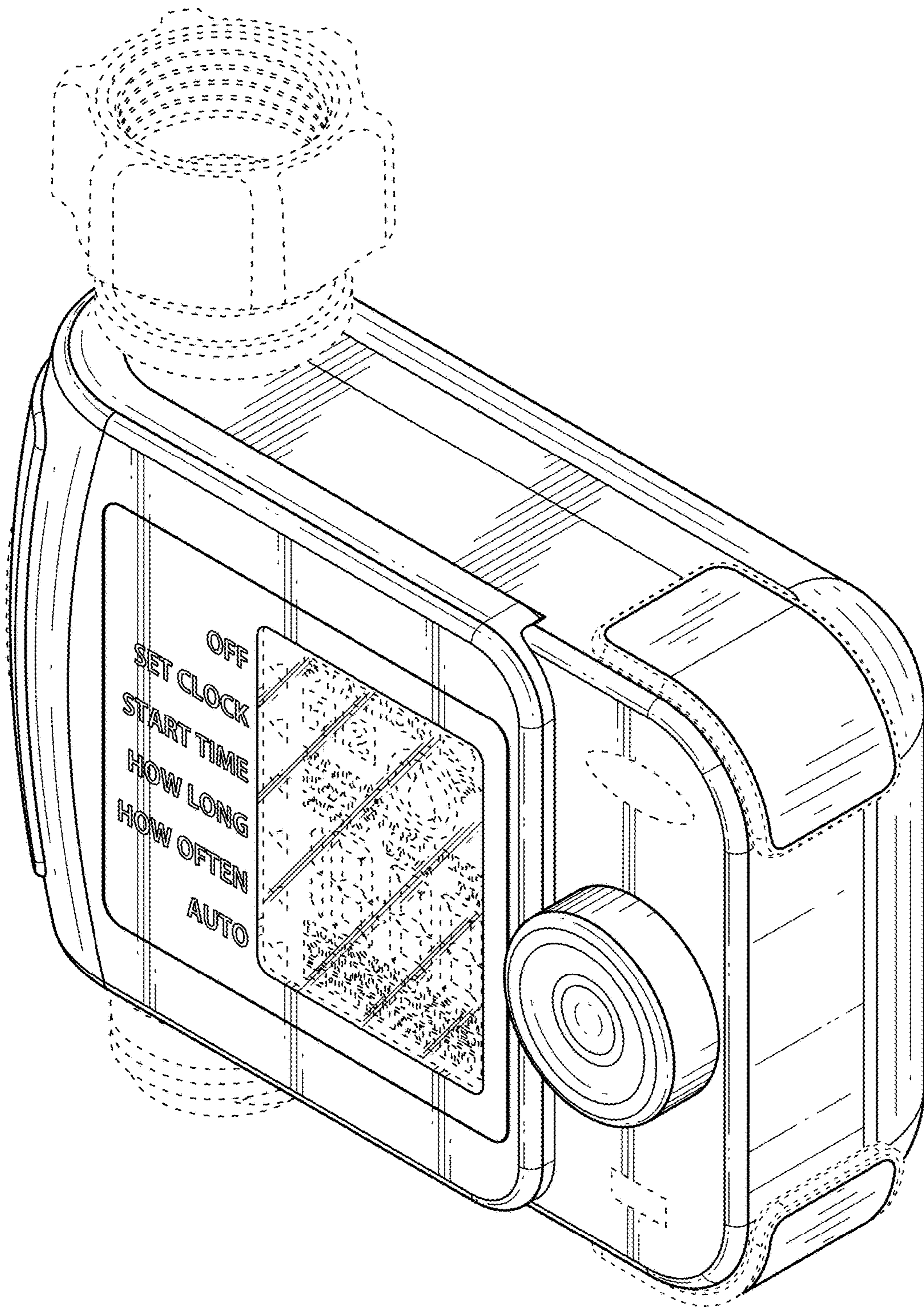


FIG. 1

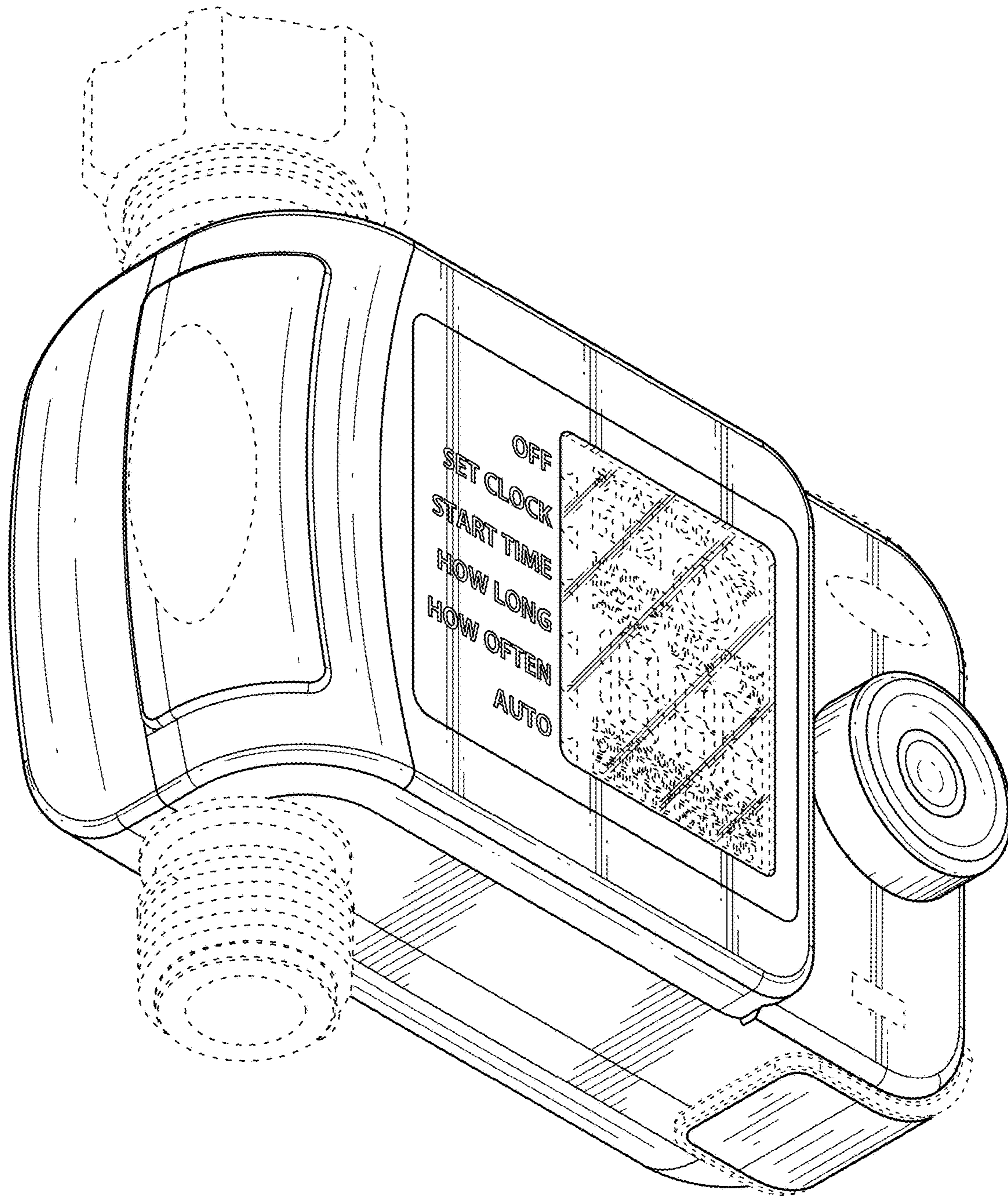


FIG. 2

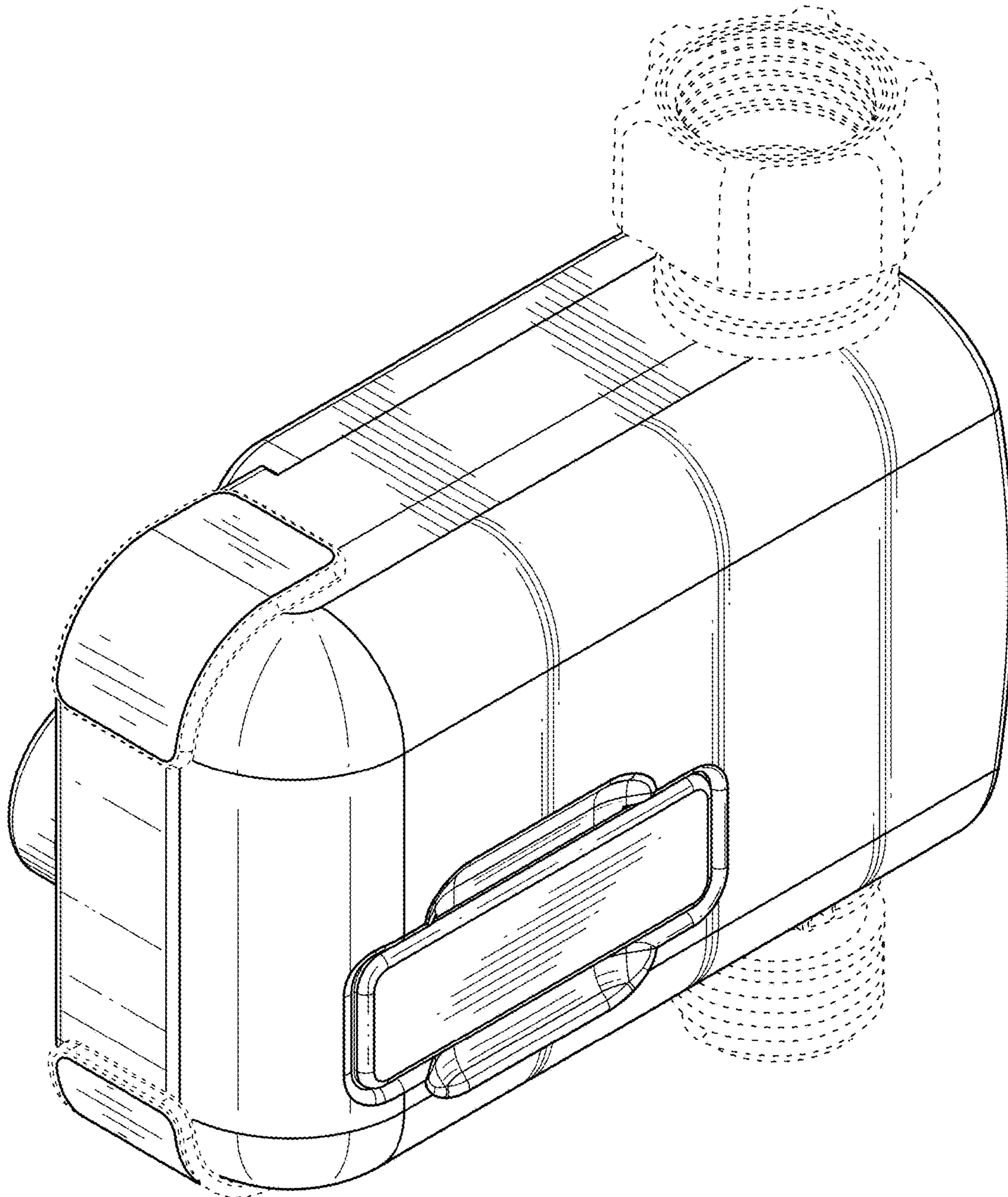


FIG. 3

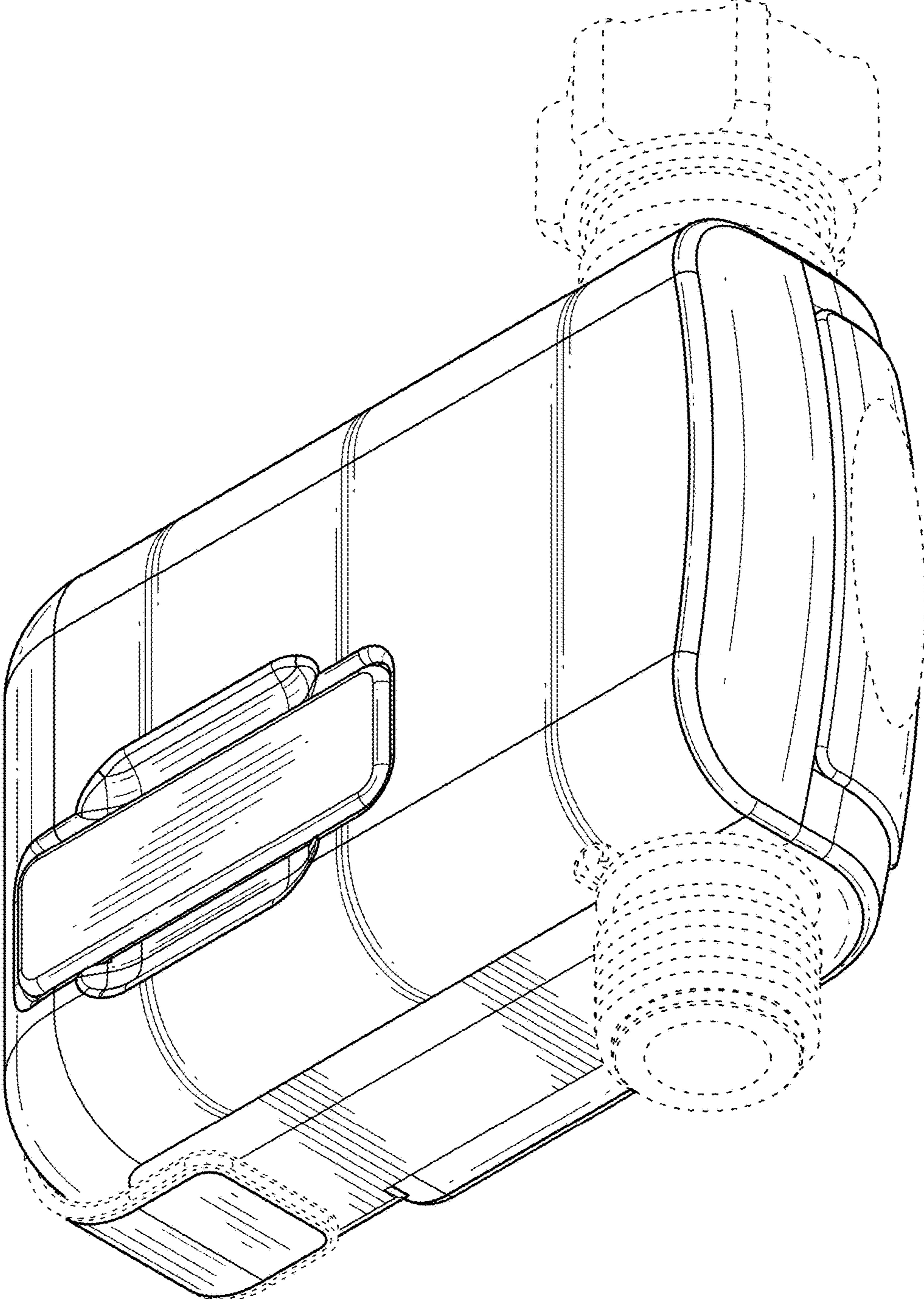


FIG. 4

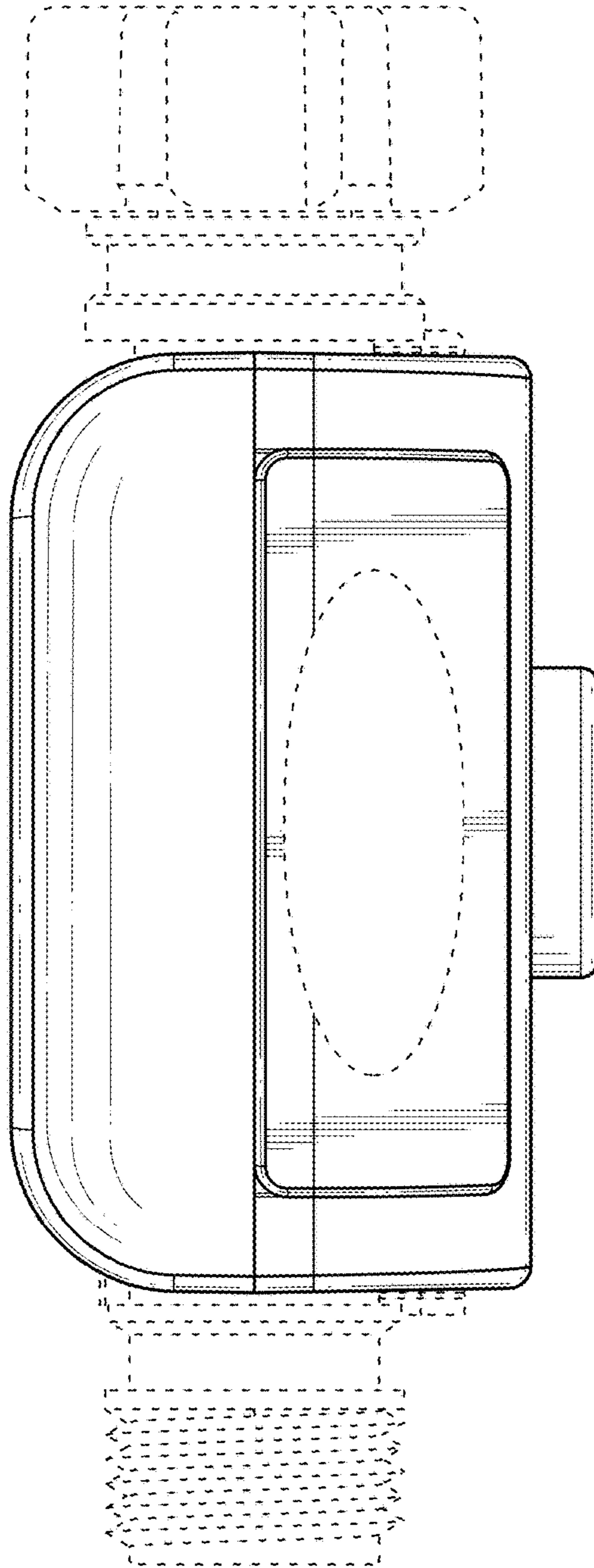


FIG. 5

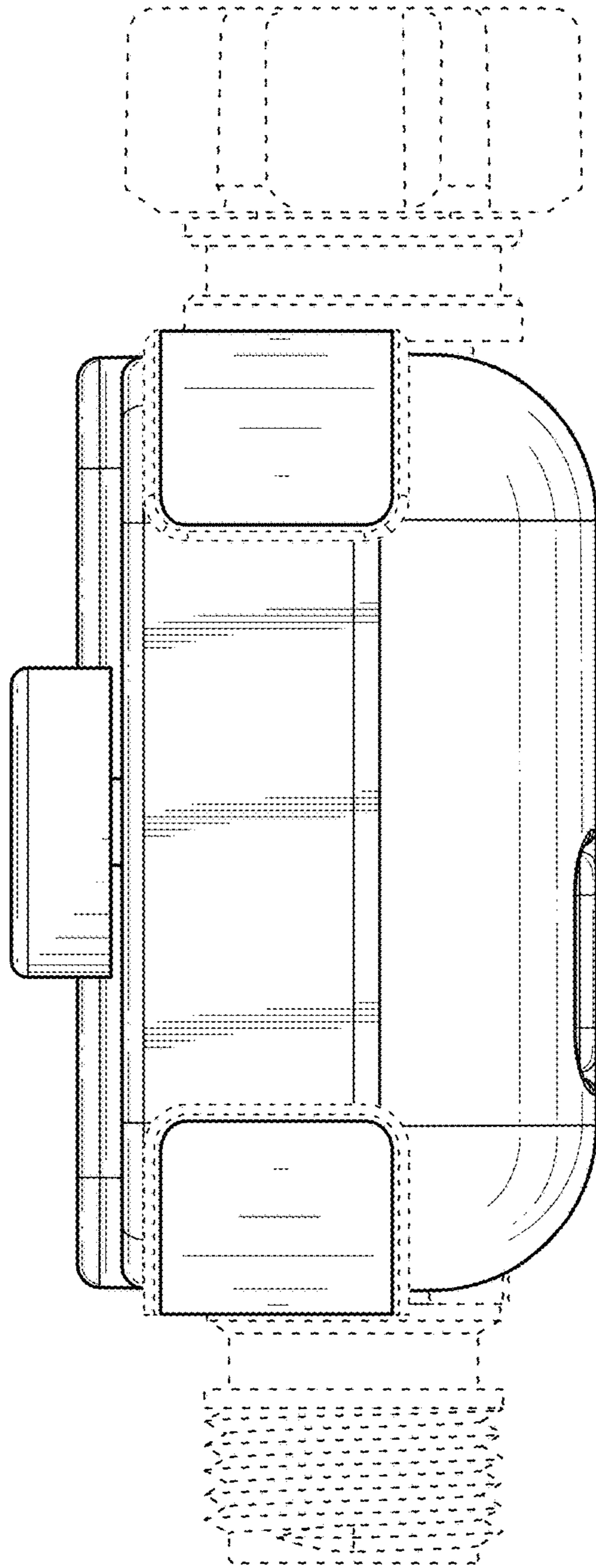


FIG. 6

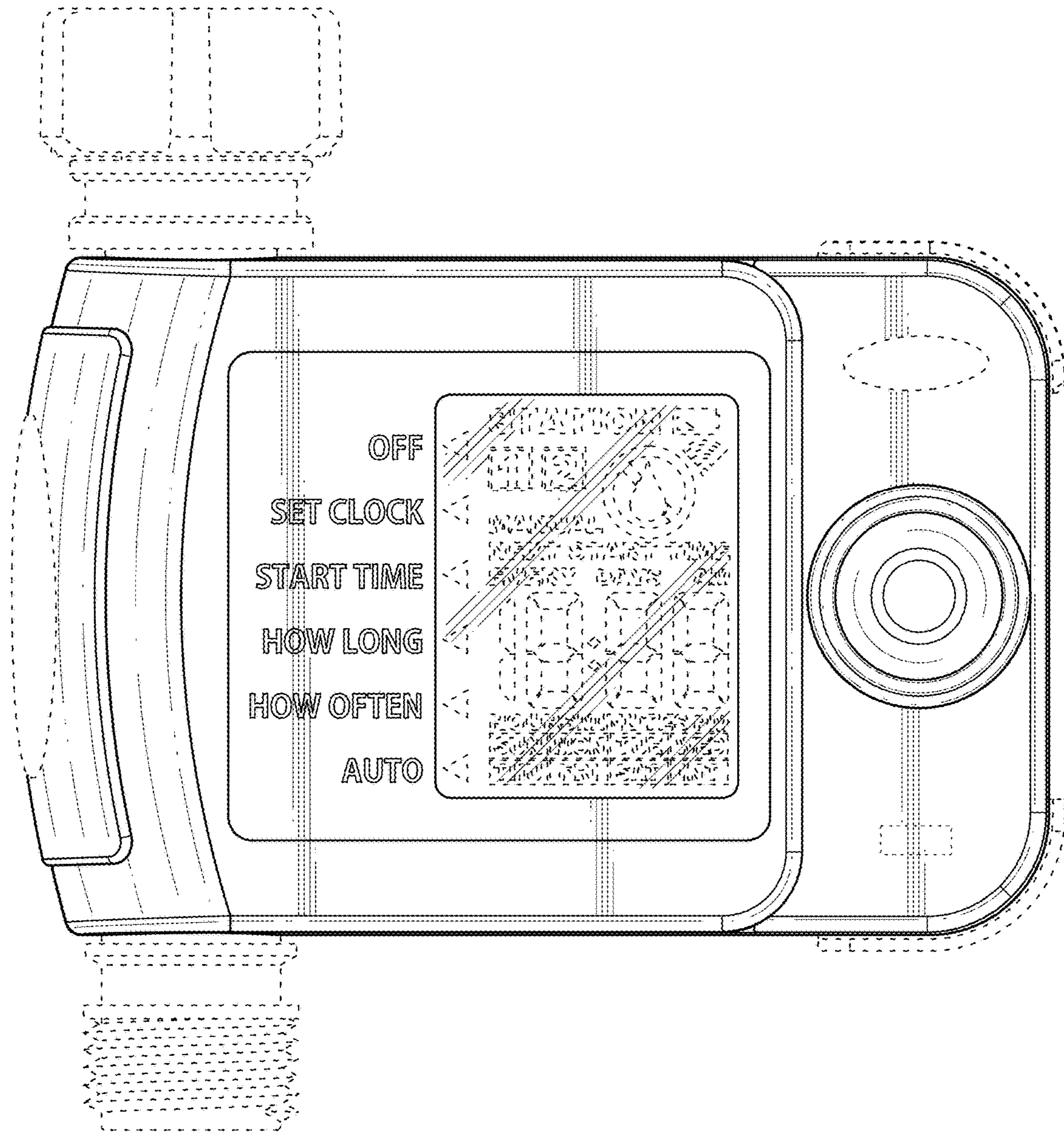


FIG. 7

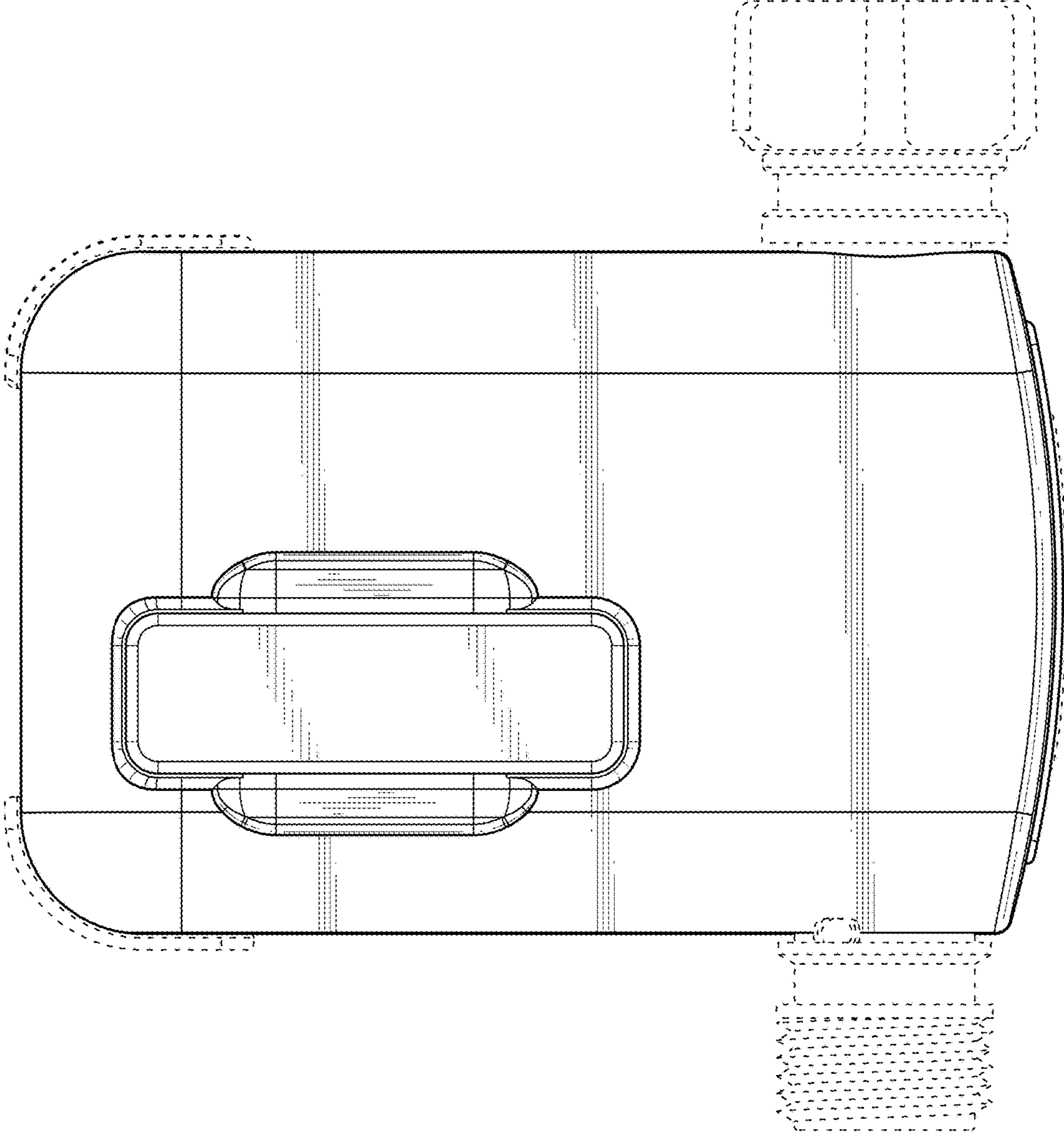


FIG. 8

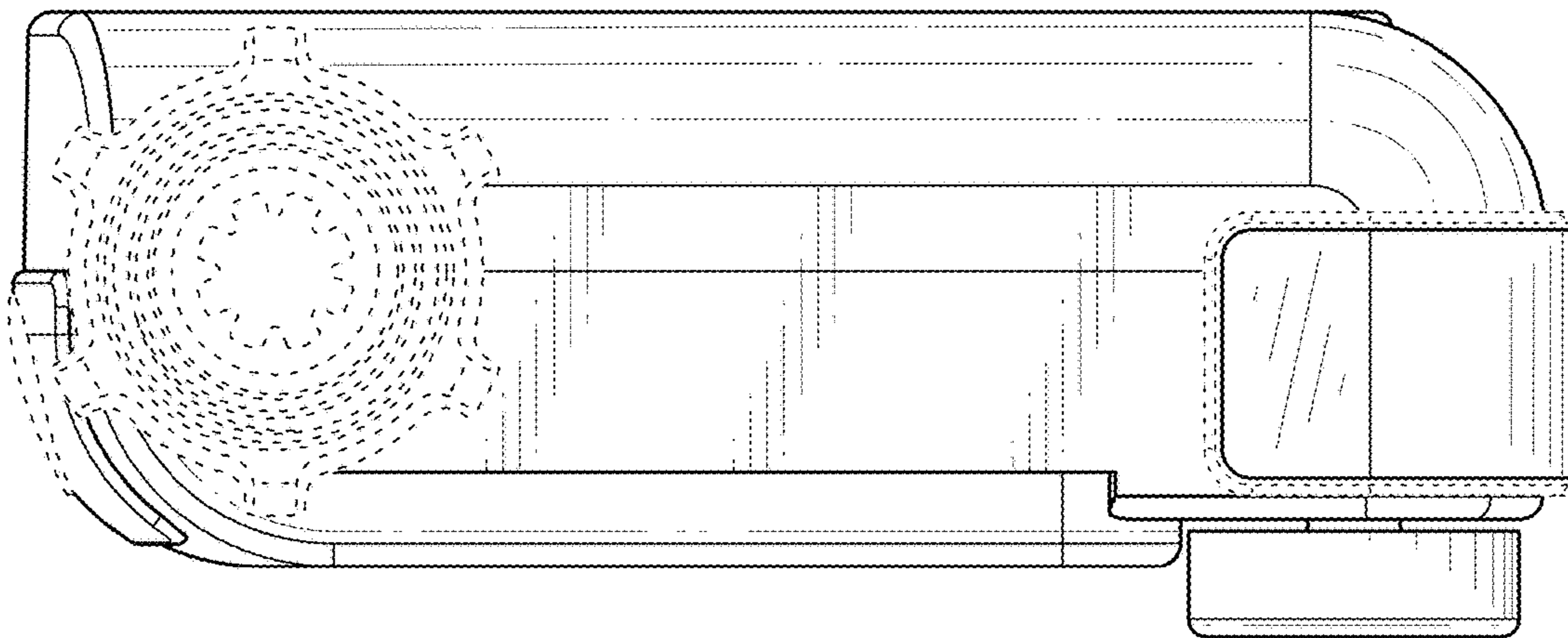


FIG. 9

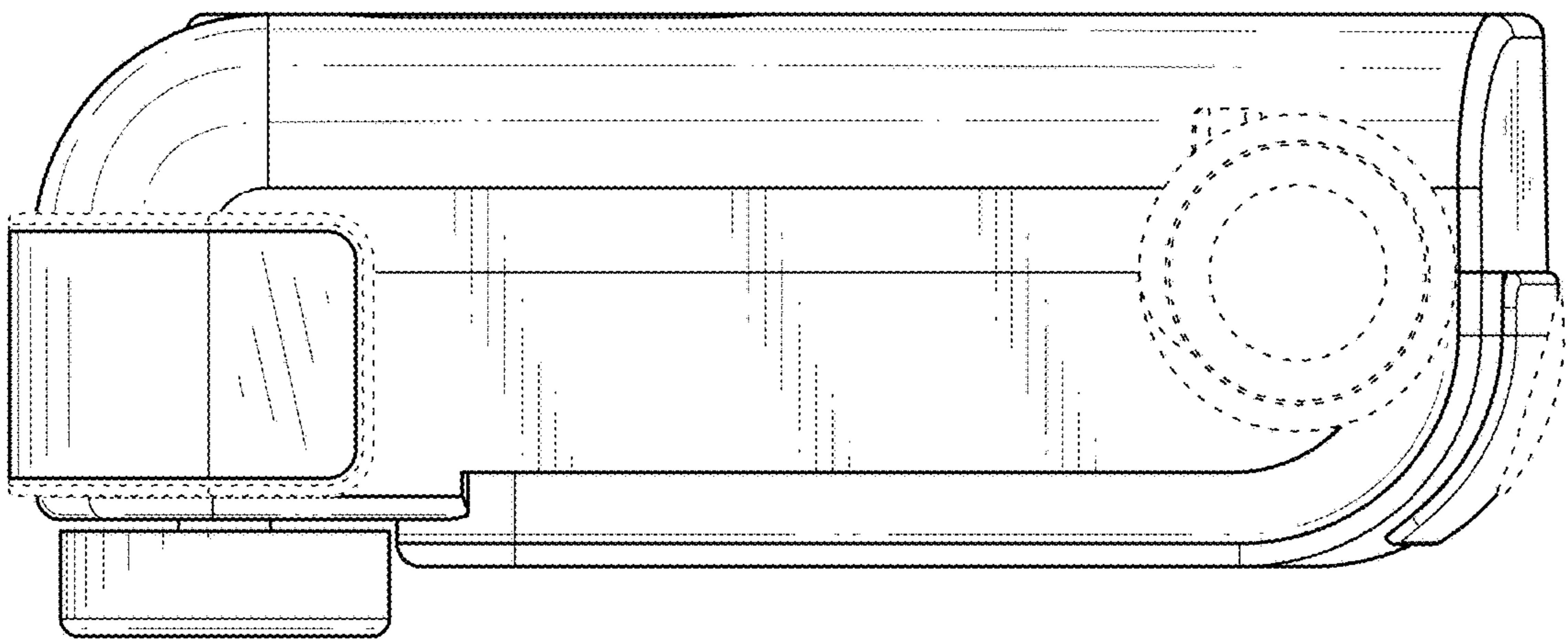


FIG. 10