



US00D857528S

(12) **United States Design Patent** (10) **Patent No.:** **US D857,528 S**  
**Moilanen et al.** (45) **Date of Patent:** **\*\* Aug. 27, 2019**

(54) **WATCH WITH DISPLAY**

(56) **References Cited**

(71) Applicant: **Garmin Switzerland GmbH**,  
Schaffhausen (CH)

U.S. PATENT DOCUMENTS

(72) Inventors: **Marcus A. Moilanen**, Olathe, KS (US);  
**Peter J. Henne**, Overland Park, KS  
(US); **Aaron X. Molina**, Kansas City,  
MO (US)

|             |         |                    |         |
|-------------|---------|--------------------|---------|
| D222,784 S  | 12/1971 | Granges .....      | D10/39  |
| 3,733,809 A | 5/1973  | Reiter et al. .... | 368/232 |
| 3,740,944 A | 6/1973  | Chopard .....      | 368/281 |
| 3,901,023 A | 8/1975  | Uebelhardt .....   | 368/281 |
| D317,265 S  | 6/1991  | Giolla et al. .... | D10/39  |
| 5,226,023 A | 7/1993  | Grimm .....        | 368/223 |

(Continued)

(73) Assignee: **Garmin Switzerland GmbH** (CH)

OTHER PUBLICATIONS

(\*\*) Term: **15 Years**

U.S. Appl. No. 29/552,623, filed Jan. 25, 2016 entitled Watch With Display.

(21) Appl. No.: **29/647,188**

(Continued)

(22) Filed: **May 10, 2018**

*Primary Examiner* — Sandra S Snapp

*Assistant Examiner* — Katherine Glennon

**Related U.S. Application Data**

(63) Continuation of application No. 29/594,287, filed on Feb. 16, 2017, now abandoned.

(74) *Attorney, Agent, or Firm* — Samuel M. Korte; Max M. Ali

(51) **LOC (12) Cl.** ..... **10-02**

(57) **CLAIM**

(52) **U.S. Cl.**

The ornamental design for a watch with display, as shown and described.

USPC ..... **D10/38**; D10/30; D14/344

(58) **Field of Classification Search**

**DESCRIPTION**

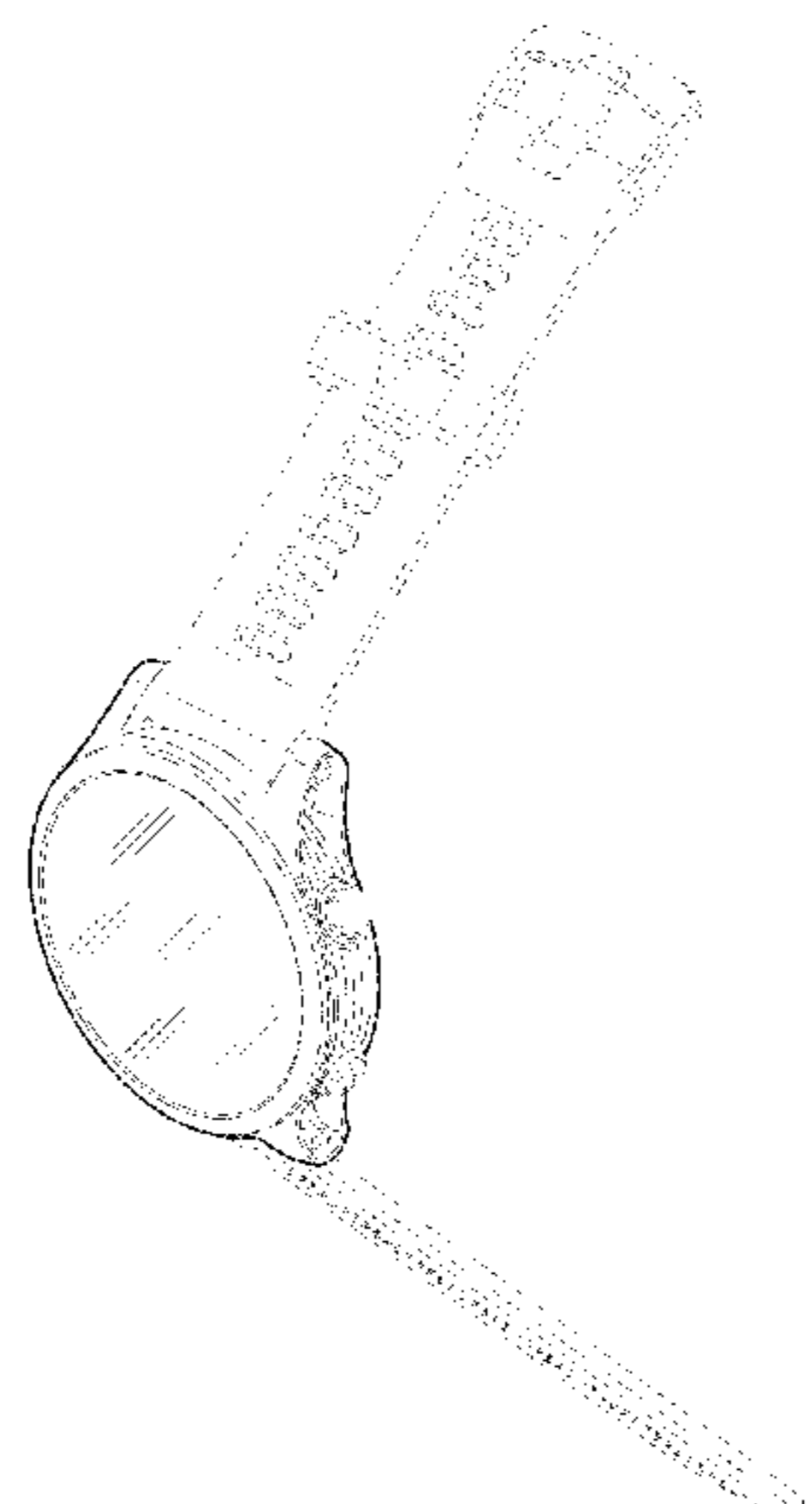
USPC ..... D10/1, 4, 6, 15, 30–39, 41, 44–45,  
D10/122–126, 131–132; D14/344

CPC ..... G04B 19/00; G04B 19/025; G04B 19/04;  
G04B 19/046; G04B 19/048; G04B  
19/06; G04B 19/08; G04B 19/085; G04B  
19/087; G04B 19/10; G04B 19/103;  
G04B 19/106; G04B 47/042; G04B  
47/04; G04B 19/11; G04B 19/16; G04B  
19/166; G04B 19/18; G04B 19/22; G04B  
19/223; G04B 19/24; G04B 19/30; G04B  
37/00; G04B 37/0008; G04B 37/02;  
G04B 37/04; G04B 37/12; G04B 39/002;  
G04B 39/006; G04B 39/008; G04B  
45/0069; G04B 45/0076; G04B 45/04;  
G04B 45/00

FIG. 1 is a front perspective view of a watch with display according to the present invention;  
FIG. 2 is a rear perspective view of the watch with display;  
FIG. 3 is a top view of the watch with display;  
FIG. 4 is a front view of the watch with display;  
FIG. 5 is a bottom view of the watch with display;  
FIG. 6 is a rear view of the watch with display;  
FIG. 7 is a left side view of the watch with display; and,  
FIG. 8 is a right side view of the watch with display.  
The broken lines shown in FIGS. 1 through 8 represent portions of the watch with display that form no part of the claimed design.

See application file for complete search history.

**1 Claim, 4 Drawing Sheets**



(56)

References Cited

U.S. PATENT DOCUMENTS

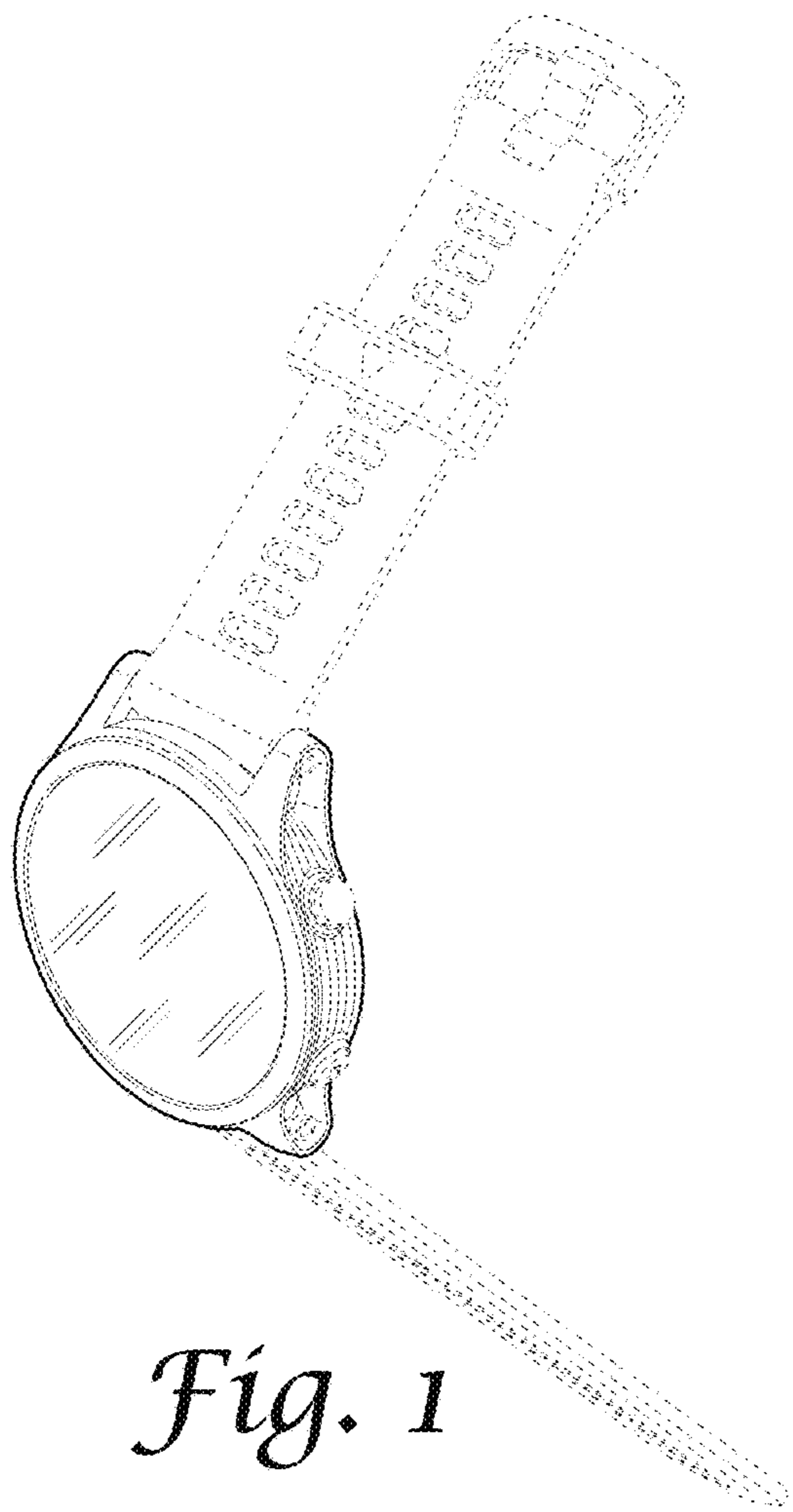
5,974,000 A \* 10/1999 Pfeil ..... G04G 21/00  
368/10  
D417,158 S 11/1999 Krauss ..... D10/30  
D459,241 S 6/2002 Bodino ..... D10/32  
D460,002 S \* 7/2002 Wunderman ..... D10/32  
D471,115 S 3/2003 Buechner ..... D10/39  
6,577,558 B1 6/2003 Ricci ..... 368/228  
D504,624 S \* 5/2005 Bodino ..... D10/39  
D509,150 S \* 9/2005 Bodino ..... D10/32  
D538,182 S 3/2007 Lalo ..... D10/32  
D573,486 S \* 7/2008 Sanz ..... D10/38  
D585,310 S 1/2009 Allison ..... D10/39  
D592,975 S 5/2009 Markl ..... D10/32  
D596,510 S 7/2009 Register et al. .... D10/38  
D602,386 S \* 10/2009 Ueda ..... D10/32  
D607,346 S 1/2010 Bove et al. .... D10/38  
D610,922 S 3/2010 Lammers-Meis et al. .... D10/32  
D633,812 S 3/2011 Yurman ..... D10/32  
D657,697 S 4/2012 Lammers-Meis et al. .... D10/38  
D658,079 S 4/2012 Emch ..... D10/38  
D658,518 S 5/2012 Behling ..... D10/39  
D659,554 S \* 5/2012 Yurman ..... D10/32  
D660,726 S 5/2012 Register et al. .... D10/38  
D660,727 S 5/2012 Parmigiani ..... D10/38  
D661,206 S 6/2012 Register et al. .... D10/38  
D664,865 S 8/2012 Luk Ying Yee ..... D10/38  
D682,712 S \* 5/2013 Lammers-Meis ..... D10/38  
D684,486 S \* 6/2013 Messmer ..... D10/39  
D690,611 S \* 10/2013 Inoue ..... D10/39  
D725,497 S 3/2015 Henne  
D739,268 S \* 9/2015 Lammers-Meis ..... D10/30  
D740,136 S \* 10/2015 Henne ..... D10/30  
D742,761 S \* 11/2015 Grazian ..... D10/30  
D743,282 S \* 11/2015 Park ..... D10/30  
D756,240 S \* 5/2016 Register ..... D10/30  
D769,134 S \* 10/2016 Schwamkrug ..... D10/38  
D772,081 S \* 11/2016 Lee ..... D10/30  
D773,944 S \* 12/2016 Wang ..... D10/30  
D789,808 S \* 6/2017 Kimura ..... D10/30  
D805,405 S \* 12/2017 Henne ..... D10/30  
D805,406 S \* 12/2017 Register ..... D10/30  
9,835,457 B2 \* 12/2017 Morris ..... G06F 16/29  
D806,581 S \* 1/2018 Register ..... D10/30  
D806,582 S 1/2018 Register ..... D10/30  
D836,464 S \* 12/2018 Liu ..... D10/30  
D836,465 S \* 12/2018 Register ..... D10/30  
D839,753 S \* 2/2019 Domke ..... D10/30  
2013/0088942 A1 \* 4/2013 Perko ..... G04R 60/10  
368/278

OTHER PUBLICATIONS

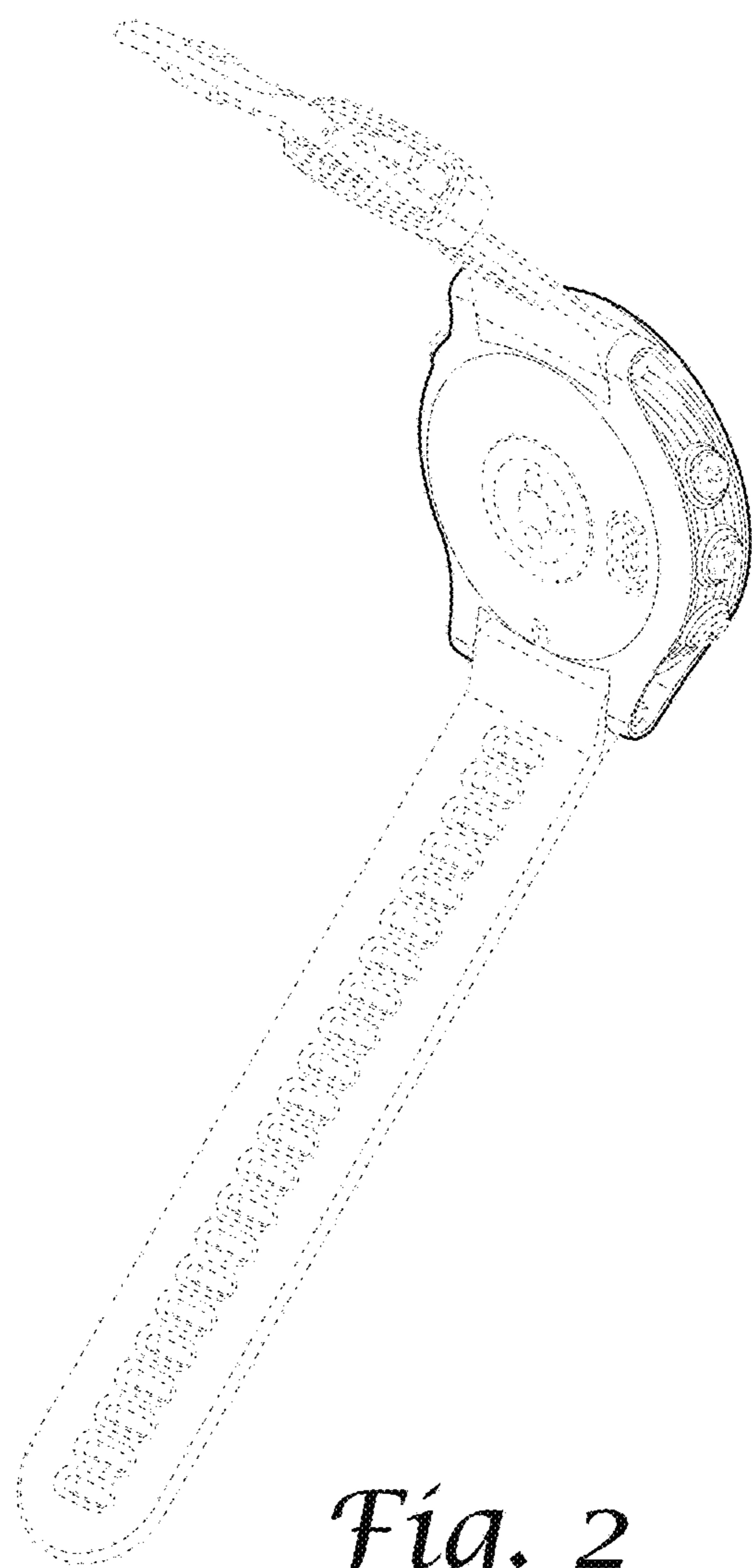
Garmin Forerunner 405, published Jan. 2008.  
Garmin Forerunner 610, published Mar. 2011.  
Printout from <http://consumer.huawei.com/en/wearables/huawei-watch/index.htm> published prior to Dec. 15, 2016.  
Printout from <http://www.apple.com/watch/> published prior to Jan. 25, 2016.  
Printout from <http://www.chrono24.com/hublot/formula-1-king-power-f1-ceramic-limited-sealed--id1818204.htm> published prior to Dec. 15, 2016.  
Printout from <http://www.computerworld.com/article/2643100/moto-360-review-an-elegant-smartwatch-with-exceptional-features.html> published prior to May 8, 2015.

Printout from <http://www.cookoo2.com/>, published prior to May 21, 2015.  
Printout from <http://www.lindewerdelin.com/products/watches/spidolite>, published prior to May 21, 2012.  
Printout from [http://www.ralphlauren.fr/category/index.jsp?categoryId=53519341&ab=fr\\_FR\\_Watches\\_LP\\_Slot\\_5\\_S1](http://www.ralphlauren.fr/category/index.jsp?categoryId=53519341&ab=fr_FR_Watches_LP_Slot_5_S1) published prior to Dec. 15, 2016.  
Printout from <http://www.suunto.com/en-US/Product-search/See-all-Sports-Watches/?sortby=New&searchTerm=traverse&page=0> published prior to Dec. 15, 2016.  
Printout from <http://www.tagheuer.com/int-en/luxury-watches/carrera/carrera-calibre-heuer-01-chronograph-titanium-43mm-grey-others-bracelet> published prior to Aug. 15, 2016.  
Printout from <http://www.tagheuer.com/int-en/luxury-watches/carrera/carrera-calibre-1867automatic-chronograph43-mm-black-steel-bracelet-car2a10-ba0799>, published prior to Aug. 15, 2016.  
Printout from <http://www.t-touch.com/en-en/#!/t-touch-expert-solar> published prior to Dec. 15, 2016.  
Printout from [https://iet.com/product/detail/fc92daab81424e10baa5175e0ea8729?icmp=pla:gal:NJ\\_dur\\_Cwin\\_Mens\\_Clothing\\_Shoes\\_Accessones\\_a1\\_Mens\\_Clothing\\_Shoes\\_Accessories\\_Mens\\_Watches\\_Mens\\_Watches\\_a1:na:PLA\\_791051016\\_46779163368\\_pla-322827945084:na:na:na:28code=PLA15](https://iet.com/product/detail/fc92daab81424e10baa5175e0ea8729?icmp=pla:gal:NJ_dur_Cwin_Mens_Clothing_Shoes_Accessones_a1_Mens_Clothing_Shoes_Accessories_Mens_Watches_Mens_Watches_a1:na:PLA_791051016_46779163368_pla-322827945084:na:na:na:28code=PLA15) published prior to Apr. 6, 2017.  
Printout from <https://www.amazon.com/Salvatore-Ferragamo-F55LGO6877-S113-Carbon/dp/B007O20FO8> published prior to Apr. 6, 2017.  
Printout from <https://www.amazon.com/Welder-K28-7100-Chronograph-Ion-Plated-Stainless/dp/B001PRFJOY> published prior to Dec. 15, 2016.  
Printout from [https://www.asus.com/ZenWatch/ASUS\\_ZenWatch\\_WI500Q/](https://www.asus.com/ZenWatch/ASUS_ZenWatch_WI500Q/) published prior to Jan. 25, 2016.  
Printout from <https://www.audemarspiguat.com/en/watch-collection/royal-oak-offshore/> published prior to Dec. 15, 2016.  
Printout from [https://www.bloomingdales.com/shop/product/g-shock-g-steel-53.8mm?ID=2725010&pla\\_country=US&cm\\_mmc=Google-PLA-ADC--Jewelry%20%26%20Accessories-NA--G-shock--889232168203USA&CAWELAID=120156070005934945&CAGPSPN=pla&CAAGID=47685648719&CATCI=pla-383074889643&CATARGETID=120156070006241384&cadevice=c&gclid=EAlalOobChMlvMbeIL3B1wIVk6DsCh3QDwnNMEAQ-YASABEgJNgvD\\_BwE](https://www.bloomingdales.com/shop/product/g-shock-g-steel-53.8mm?ID=2725010&pla_country=US&cm_mmc=Google-PLA-ADC--Jewelry%20%26%20Accessories-NA--G-shock--889232168203USA&CAWELAID=120156070005934945&CAGPSPN=pla&CAAGID=47685648719&CATCI=pla-383074889643&CATARGETID=120156070006241384&cadevice=c&gclid=EAlalOobChMlvMbeIL3B1wIVk6DsCh3QDwnNMEAQ-YASABEgJNgvD_BwE), published prior to Dec. 15, 2016.  
Printout from <https://www.cnet.com/products/lg-g-watch/review/> published prior to Jan. 25, 2016.  
Printout from <https://www.omegawatches.com/watch-omega-speedmaster-moonwatch-professional-chronograph-42-mm-31133423001002> published prior to Apr. 6, 2017.  
Printout from <https://www.sonymobile.com/global-en/products/smart-products/smartwatch-3-swr50/> published prior to Jan. 25, 2016.  
Printout from [www.drainmaker.com/2012/04/suunto-ambit-in-depth-review.html](http://www.drainmaker.com/2012/04/suunto-ambit-in-depth-review.html) published prior to Sep. 29, 2015.  
Printout from [www.suunto.com/en-US/Products/Sports-Watches/Suunto-Ambit2/Suunto-Ambit2-Black/](http://www.suunto.com/en-US/Products/Sports-Watches/Suunto-Ambit2/Suunto-Ambit2-Black/) published prior to Sep. 29, 2015.  
Printout from [www.theaaronloy.com/wp-content/uploads/2013/07/Casio-MT-G-G-Shock-Watch.jpg](http://www.theaaronloy.com/wp-content/uploads/2013/07/Casio-MT-G-G-Shock-Watch.jpg) published prior to Sep. 29, 2015.  
Printout from [www.watchtowhat.com/wp-content/uploads/2015/03/casio-edifice-8.jpg](http://www.watchtowhat.com/wp-content/uploads/2015/03/casio-edifice-8.jpg) published prior to Sep. 29, 2015.  
Suunto Core, published prior to May 21, 2012.  
Suunto Elementum, published prior to May 21, 2012.  
Suunto X10, published prior to May 21, 2012.  
Timex eCompass, published prior to May 21, 2012.  
Tissot Touch Around, published prior to May 21, 2012.

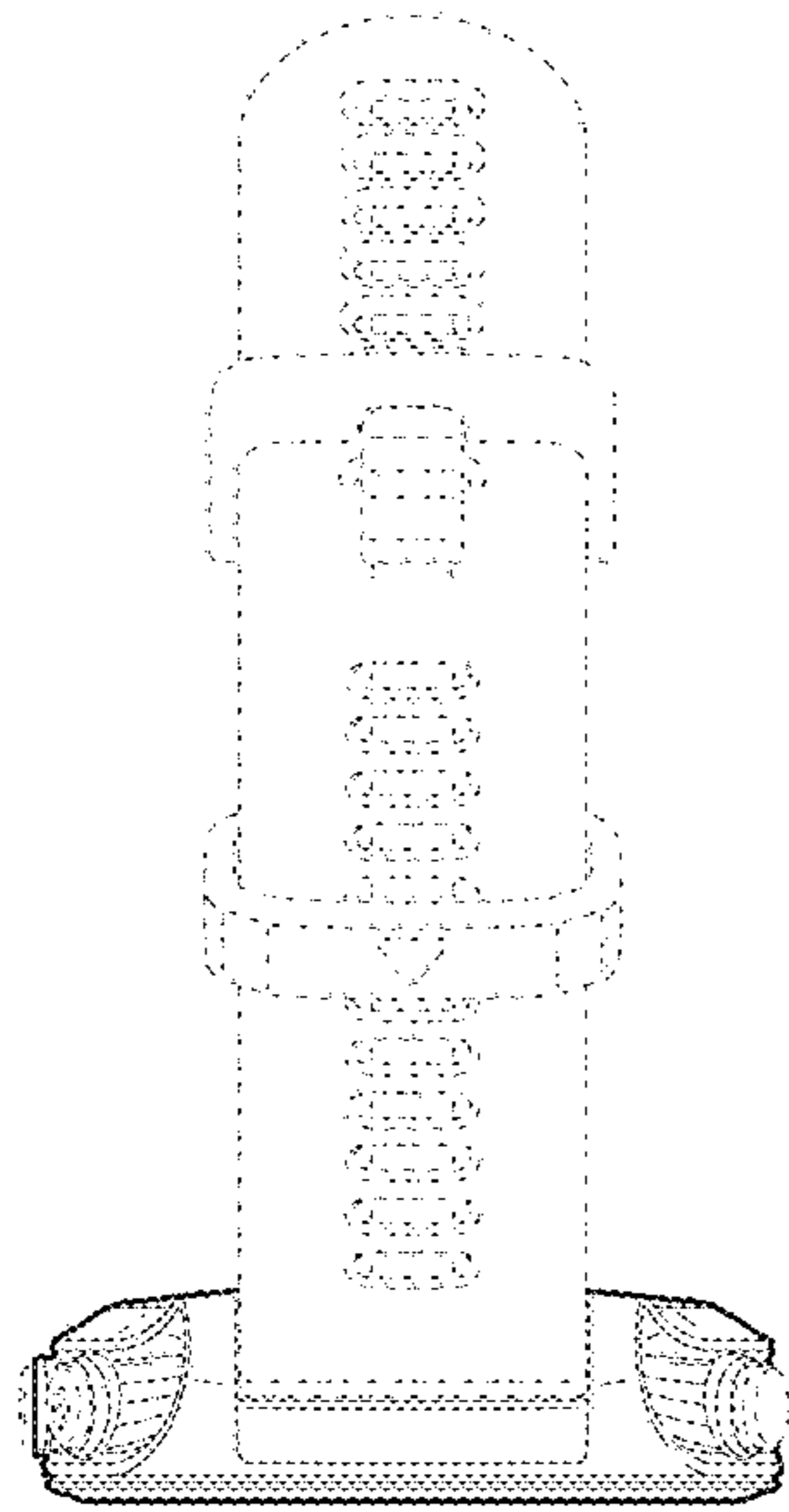
\* cited by examiner



*Fig. 1*

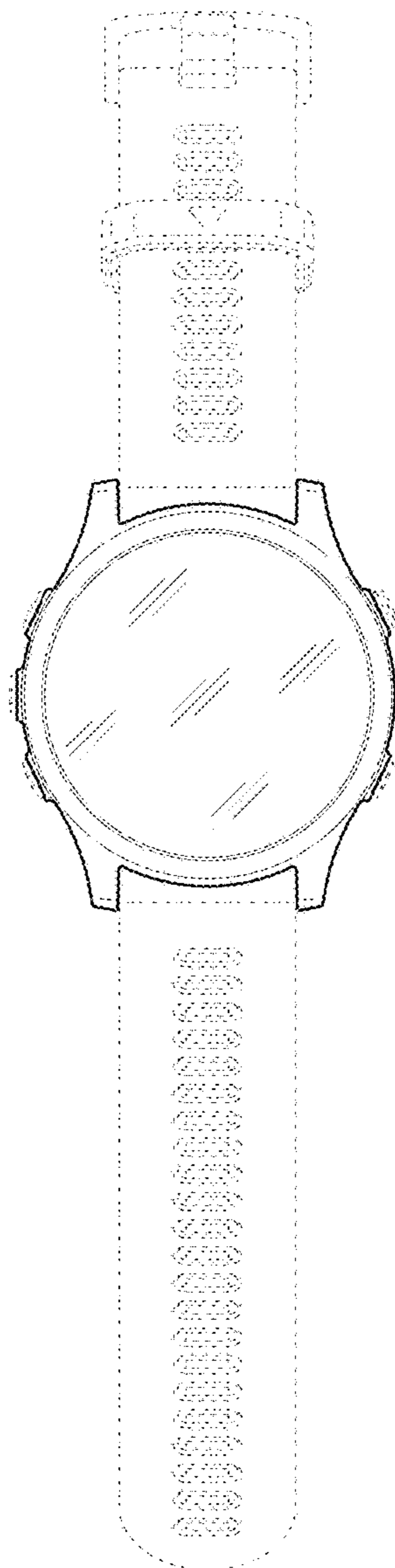


*Fig. 2*

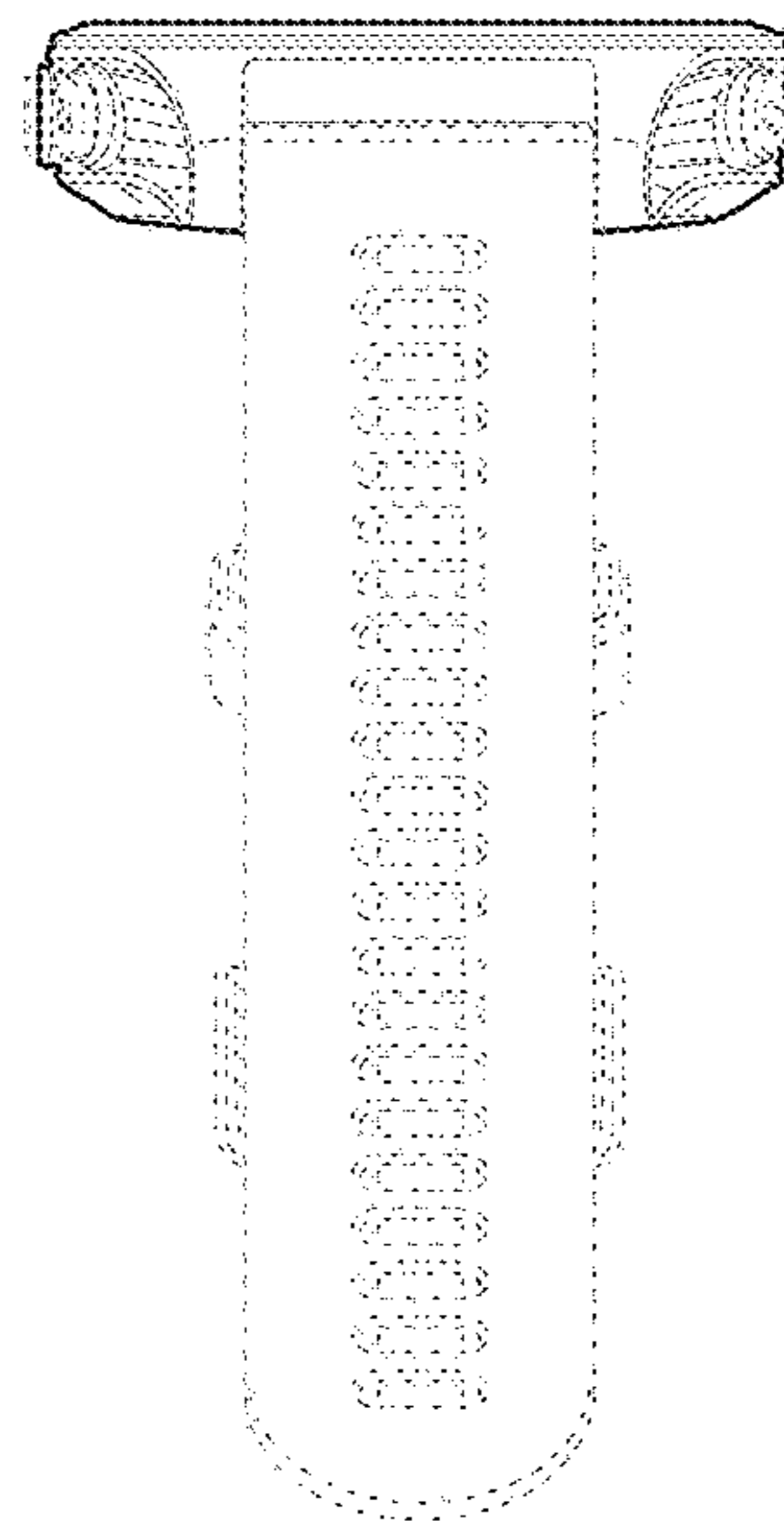


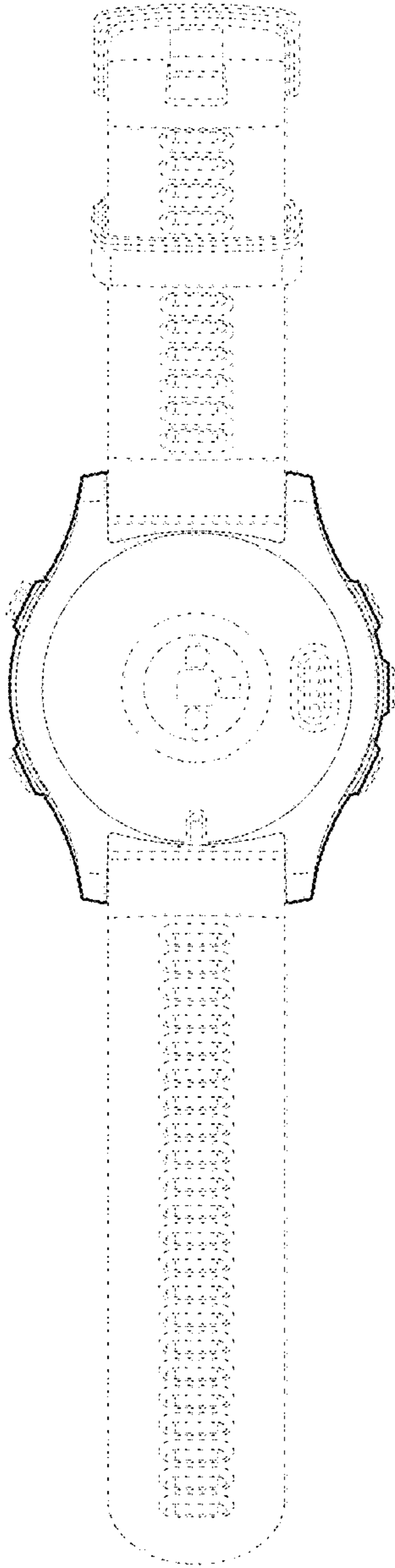
*Fig. 3*

*Fig. 4*

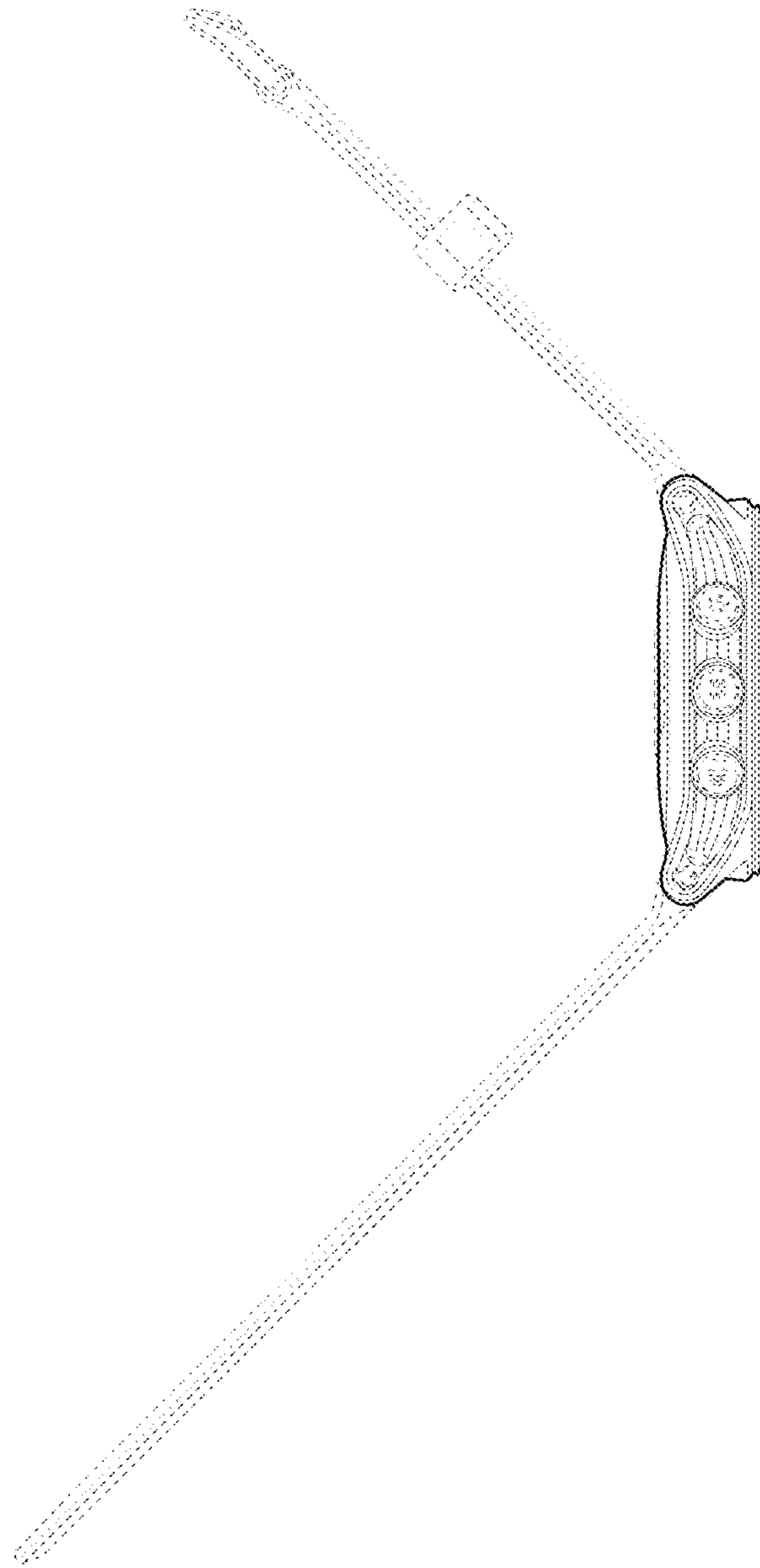


*Fig. 5*

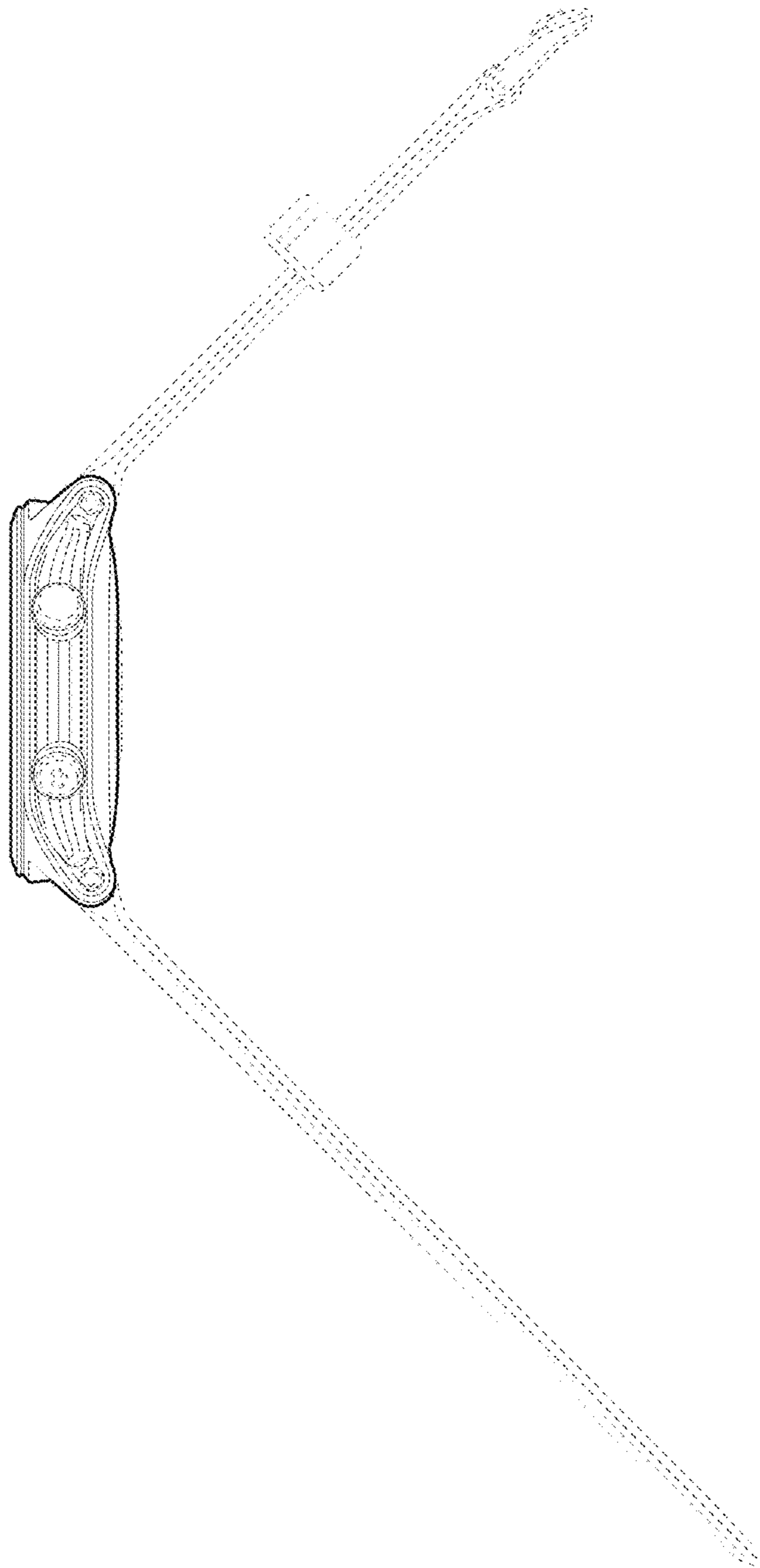




*Fig. 6*



*Fig. 7*



*Fig. 8*