

US00D857526S

(12) **United States Design Patent** (10) **Patent No.:** **US D857,526 S**
Roberts et al. (45) **Date of Patent:** **** Aug. 27, 2019**

- (54) **CAMERA WATCH**
- (71) Applicant: **Google LLC**, Mountain View, CA (US)
- (72) Inventors: **Rachael Elizabeth Roberts**, San Francisco, CA (US); **Romain Clement**, Mountain View, CA (US); **Xi Chen**, San Jose, CA (US); **Luc Vincent**, Palo Alto, CA (US)
- (73) Assignee: **Google LLC**, Mountain View, CA (US)
- (**) Term: **15 Years**
- (21) Appl. No.: **29/609,743**
- (22) Filed: **Jul. 5, 2017**

D356,956 S	4/1995	Hitter	
D367,240 S	2/1996	Svast	
D373,538 S	9/1996	Riley	
D378,739 S	4/1997	Strasser	
D407,601 S	4/1999	Midden et al.	
D433,949 S *	11/2000	Helleu	D10/30
6,192,253 B1	2/2001	Charlier et al.	
D451,116 S	11/2001	Kono et al.	
D455,659 S	4/2002	Goto	
D488,724 S	4/2004	Bertucci	
6,809,774 B1	10/2004	Yamazaki et al.	
D500,450 S *	1/2005	Strasser	D10/30
D502,200 S *	2/2005	Abe	D16/200
D505,086 S	5/2005	Fernandez	
D519,858 S	5/2006	Migliorati	
D560,513 S	1/2008	Glassman	
D564,559 S *	3/2008	Stephens	D16/208
D582,955 S *	12/2008	Sekine	D16/218
D588,024 S	3/2009	Binggeli	

(Continued)

Related U.S. Application Data

- (62) Division of application No. 29/501,922, filed on Sep. 10, 2014, now Pat. No. Des. 795,709.
- (51) **LOC (12) Cl.** **10-02**
- (52) **U.S. Cl.**
USPC **D10/32; D16/208**
- (58) **Field of Classification Search**
USPC D10/30, 32, 123, 124, 126;
D16/132-136, 200, 202, 205, 206, 208,
D16/209, 211, 218, 219, 220; D21/514
CPC G03B 17/02; G03B 17/04; G03B 17/56;
G03B 15/03; G03B 19/04; H04N 5/2251;
H04N 5/2252; H04N 5/2253; H04N
5/2254; G02B 7/02; G02B 7/04; G02B
7/14
See application file for complete search history.

Primary Examiner — Susan E Krakower
Assistant Examiner — L. A. Grabenstetter
(74) *Attorney, Agent, or Firm* — Lerner, David, Littenberg, Krumholz & Mentlik, LLP

(57) **CLAIM**

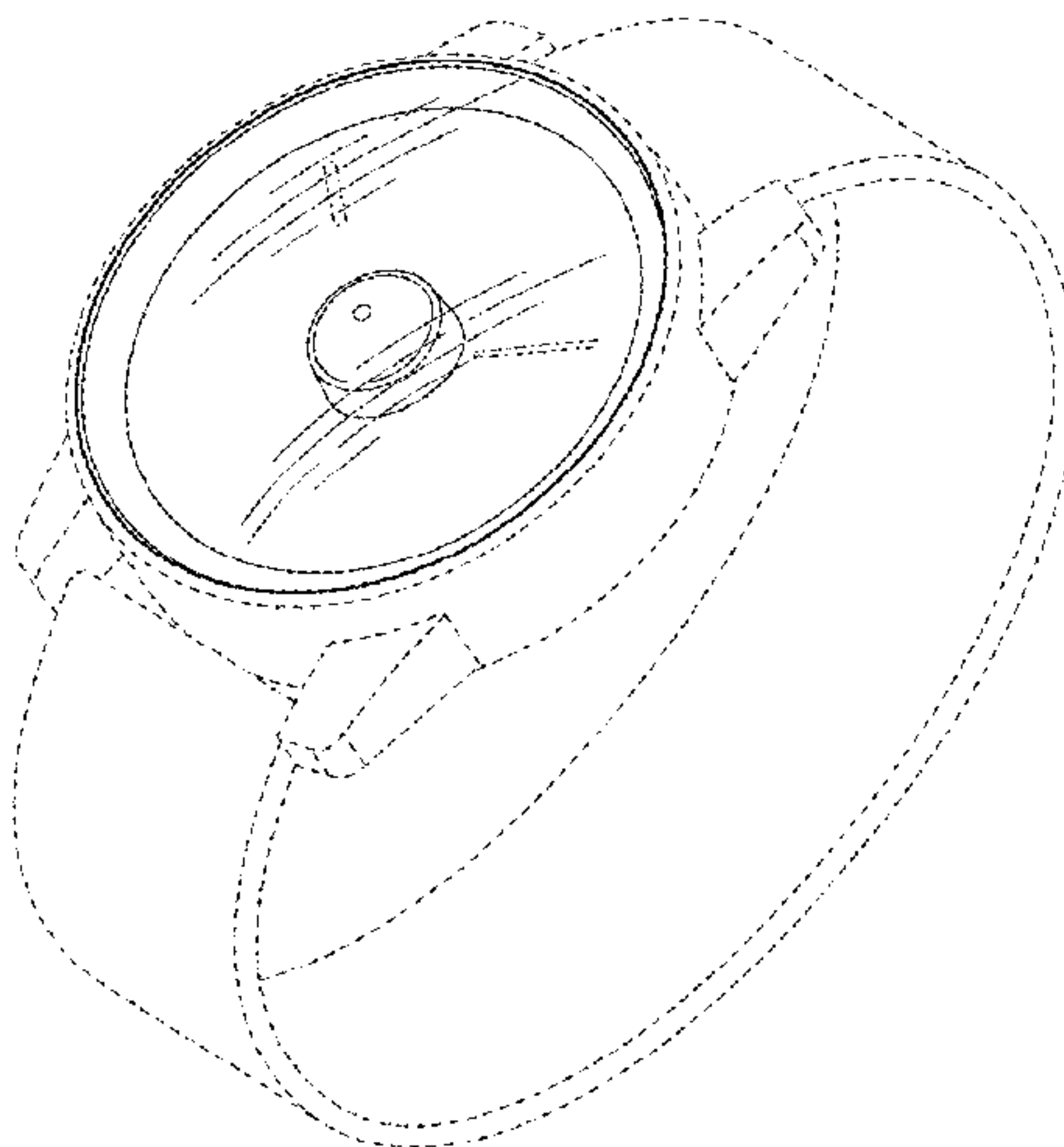
The ornamental design for a camera watch, as shown and described.

DESCRIPTION

FIG. 1 is a front perspective view of a camera watch according to our design;
FIG. 2 is a top view thereof;
FIG. 3 is a bottom view thereof;
FIG. 4 is a right side view thereof;
FIG. 5 is a left side view thereof;
FIG. 6 is a front view thereof; and,
FIG. 7 is a rear view thereof.
The broken lines, including broken lines depicting watch hands and a watch strap, represent unclaimed portions of the camera watch that form no part of the claimed design.

- (56) **References Cited**
U.S. PATENT DOCUMENTS
D22,649 S 7/1893 Casler
D186,180 S 9/1959 Diamond
D243,318 S * 2/1977 Kurihara D10/32

1 Claim, 4 Drawing Sheets



(56)

References Cited

U.S. PATENT DOCUMENTS

D612,269	S *	3/2010	Leung	D10/32
D624,442	S	9/2010	Clerc	
D624,443	S	9/2010	Cerrato	
D629,703	S *	12/2010	Giannini	D10/32
D635,472	S *	4/2011	Dalla Libera	D10/32
D640,936	S *	7/2011	Teixeia	D10/32
D656,845	S	4/2012	Maier	
8,157,457	B2 *	4/2012	Khamsepoor	F16M 11/08 348/373
D664,865	S	8/2012	Luk Ying Yee	
D665,439	S *	8/2012	Khamsepoor	D16/202
8,251,595	B2 *	8/2012	Koyama	G03B 17/04 396/349
8,279,716	B1	10/2012	Gossweiler, III et al.	
D678,081	S	3/2013	Cabiddu	
D684,486	S	6/2013	Messmer et al.	
8,475,059	B2 *	7/2013	Khamsepoor	H04N 5/2251 348/373
8,506,158	B2 *	8/2013	Keung	A44C 5/0084 224/164
D690,344	S *	9/2013	Hollinger	D16/200
8,665,364	B2 *	3/2014	Lin	G03B 17/02 250/239
2011/0214158	A1 *	9/2011	Pasquero	G06F 21/35 726/2
2011/0243547	A1 *	10/2011	Khamsepoor	F16M 11/08 396/428
2011/0243548	A1 *	10/2011	Khamsepoor	G03B 17/04 396/428
2014/0143785	A1 *	5/2014	Mistry	G06F 1/163 718/104

* cited by examiner

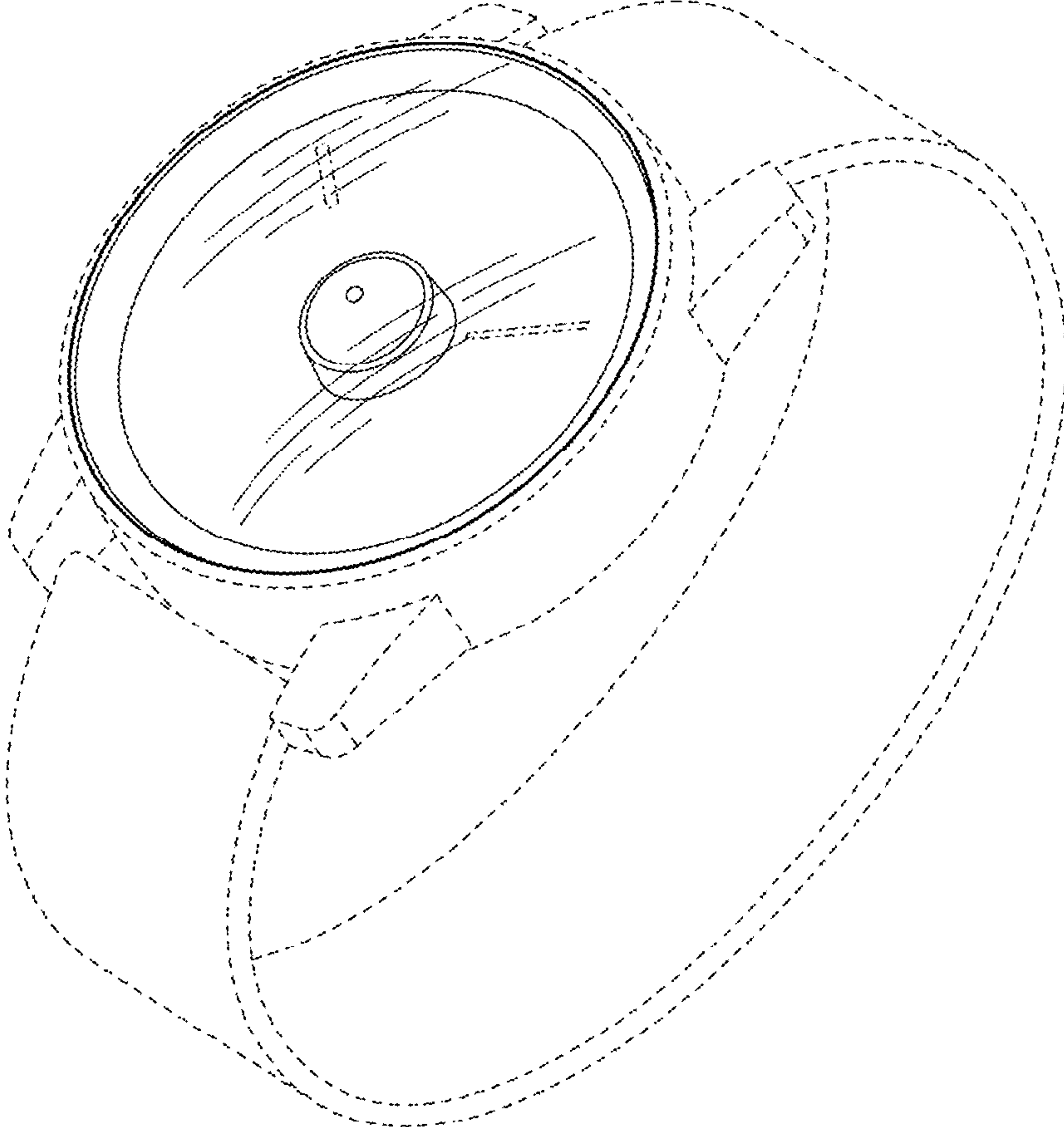


FIG. 1

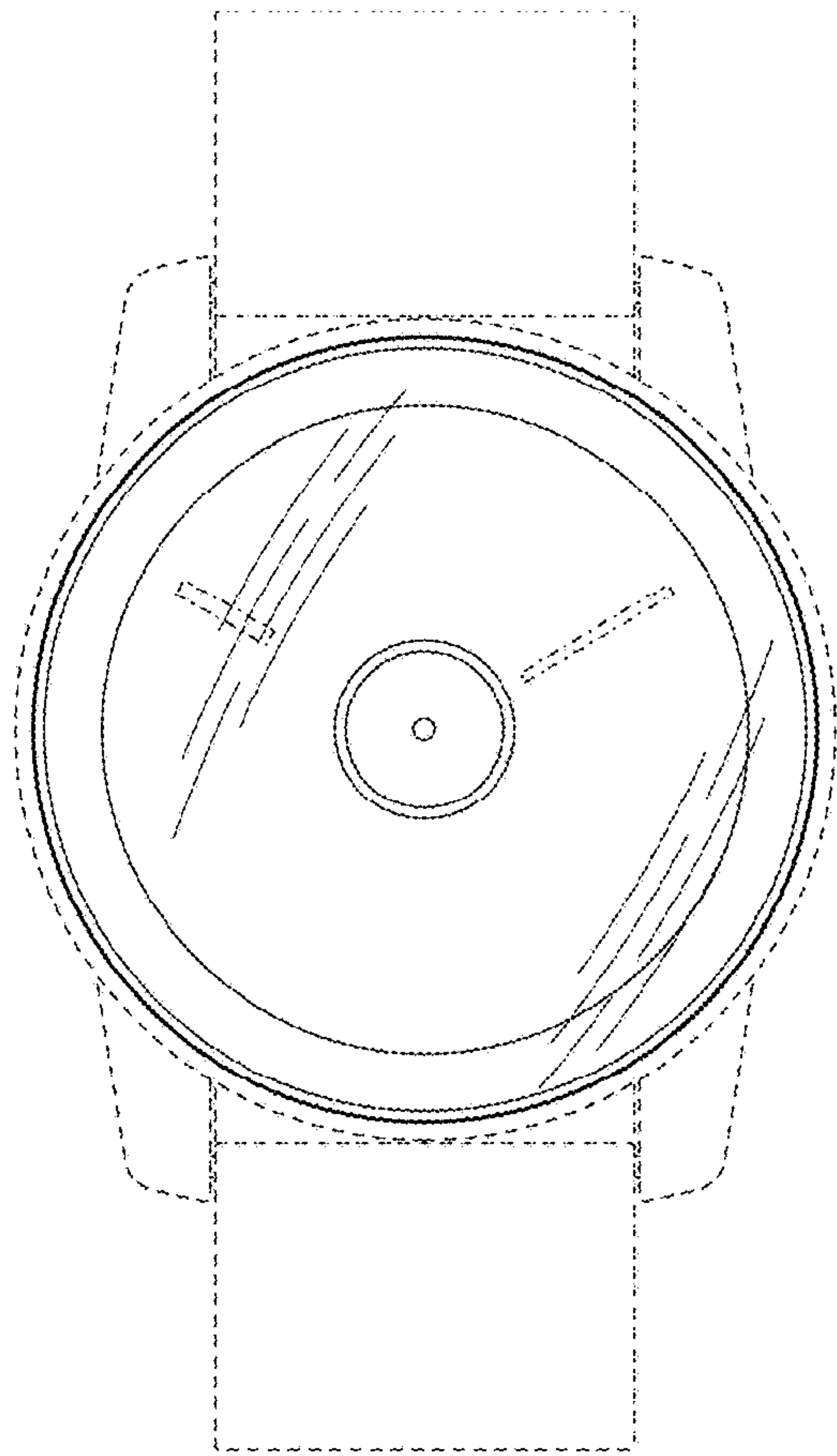


FIG. 2

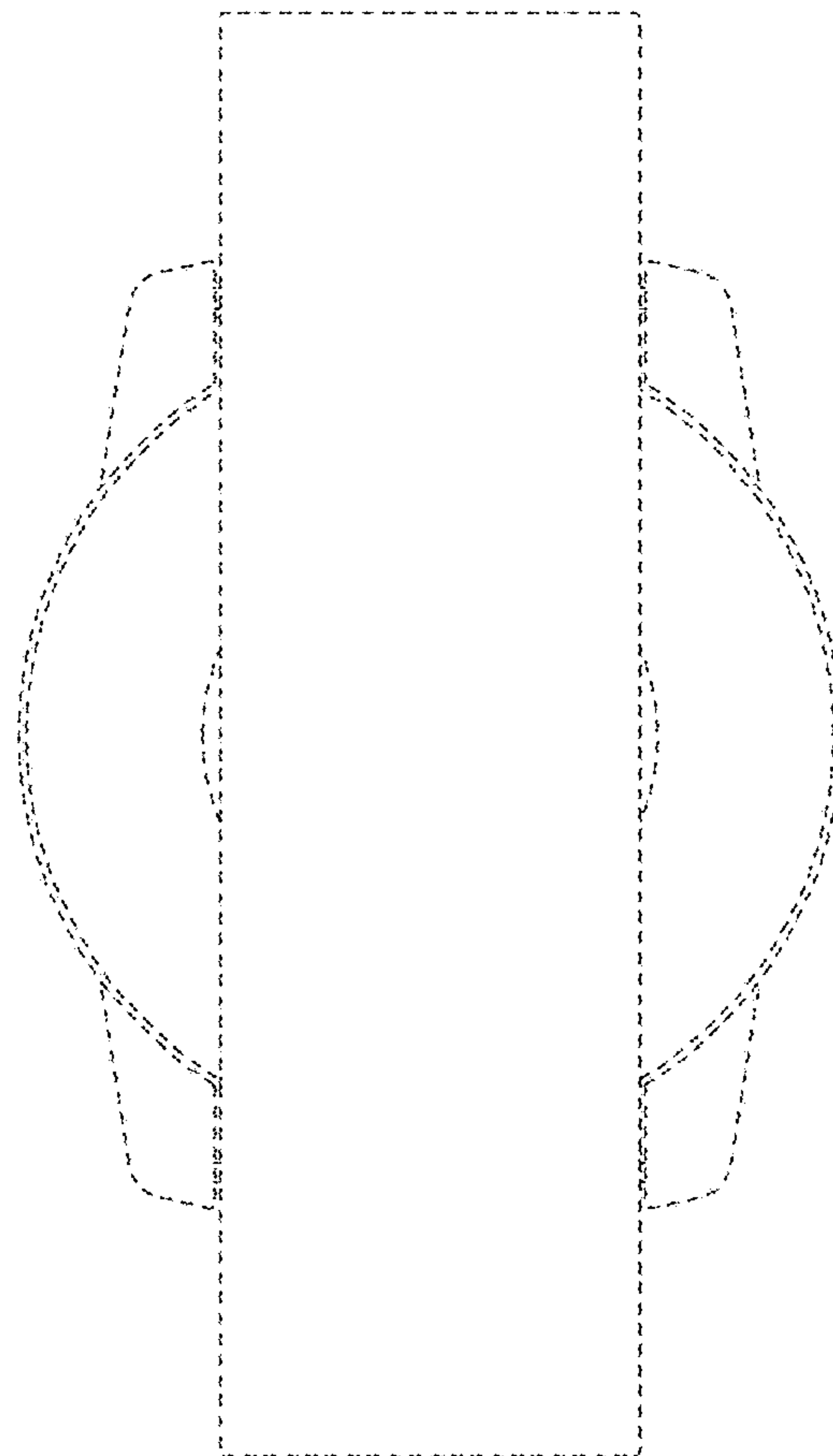


FIG. 3

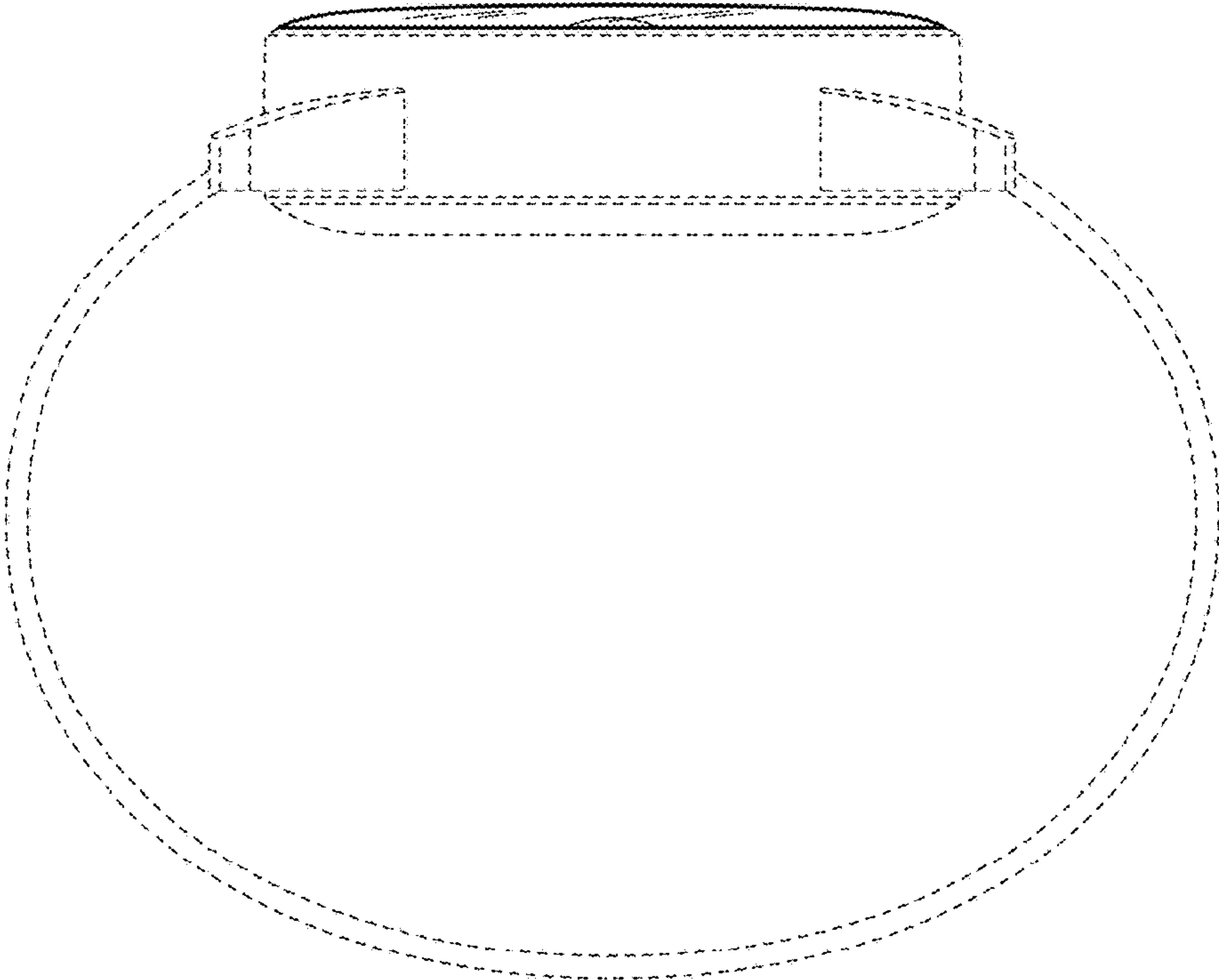


FIG. 4

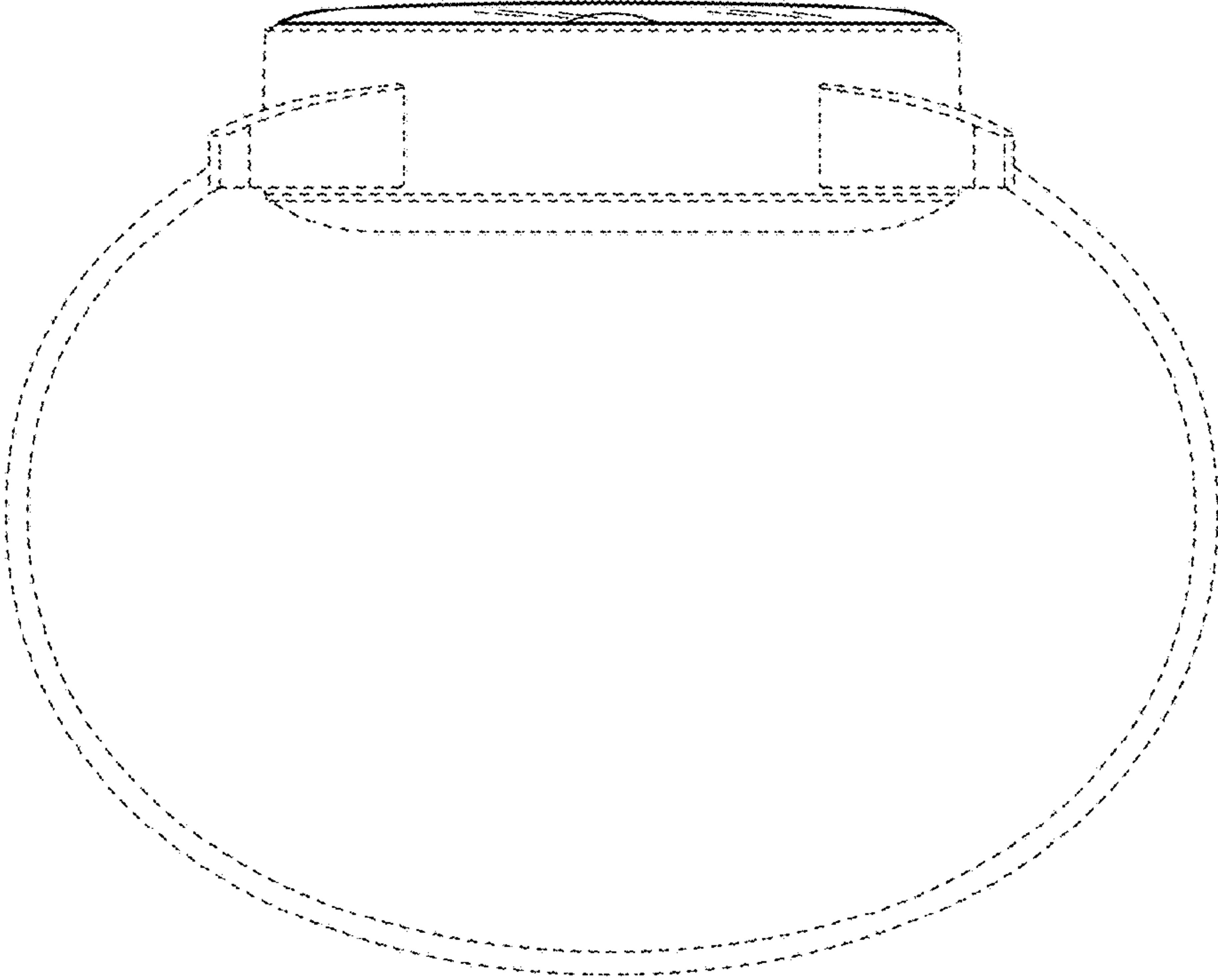


FIG. 5

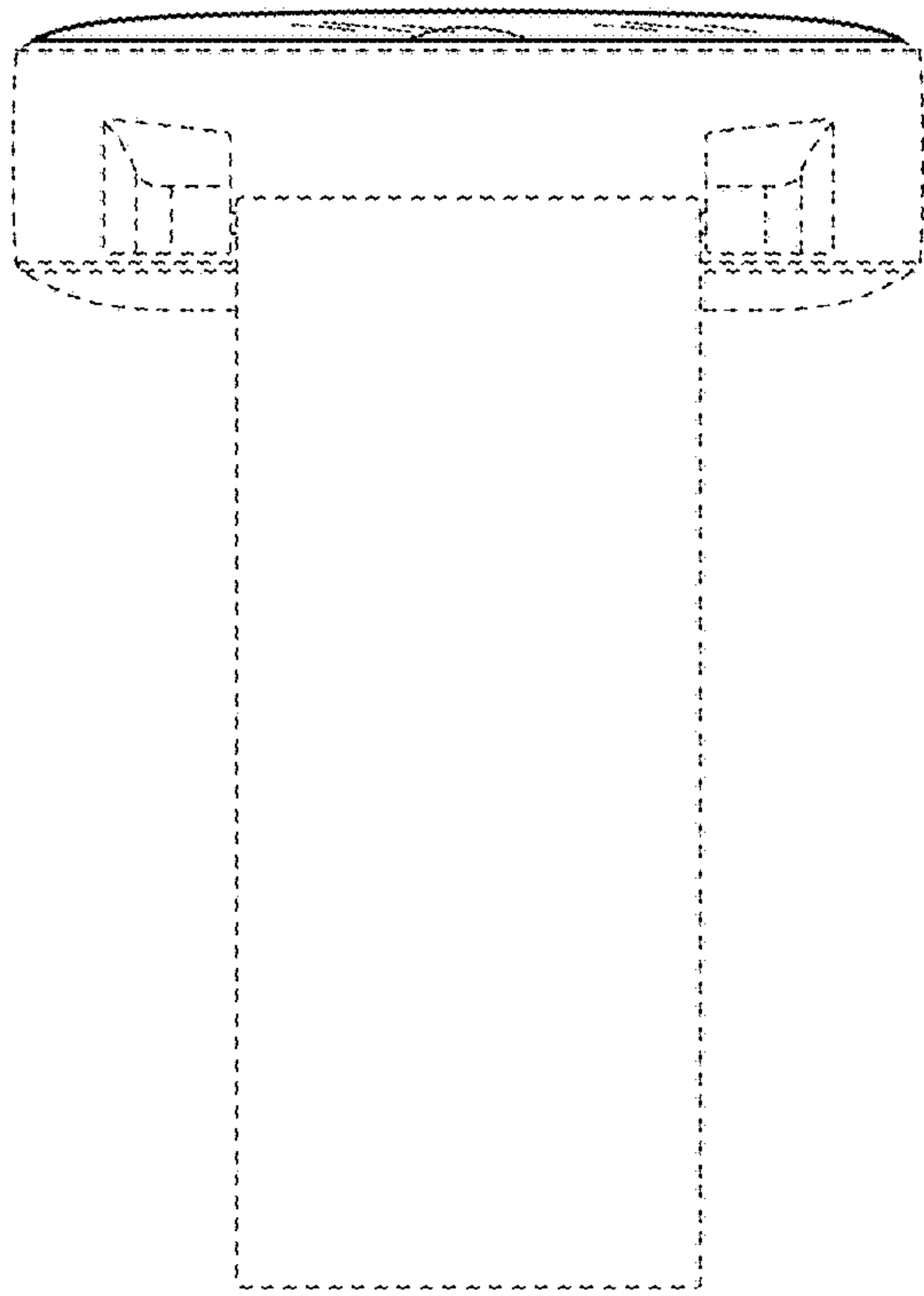


FIG. 6

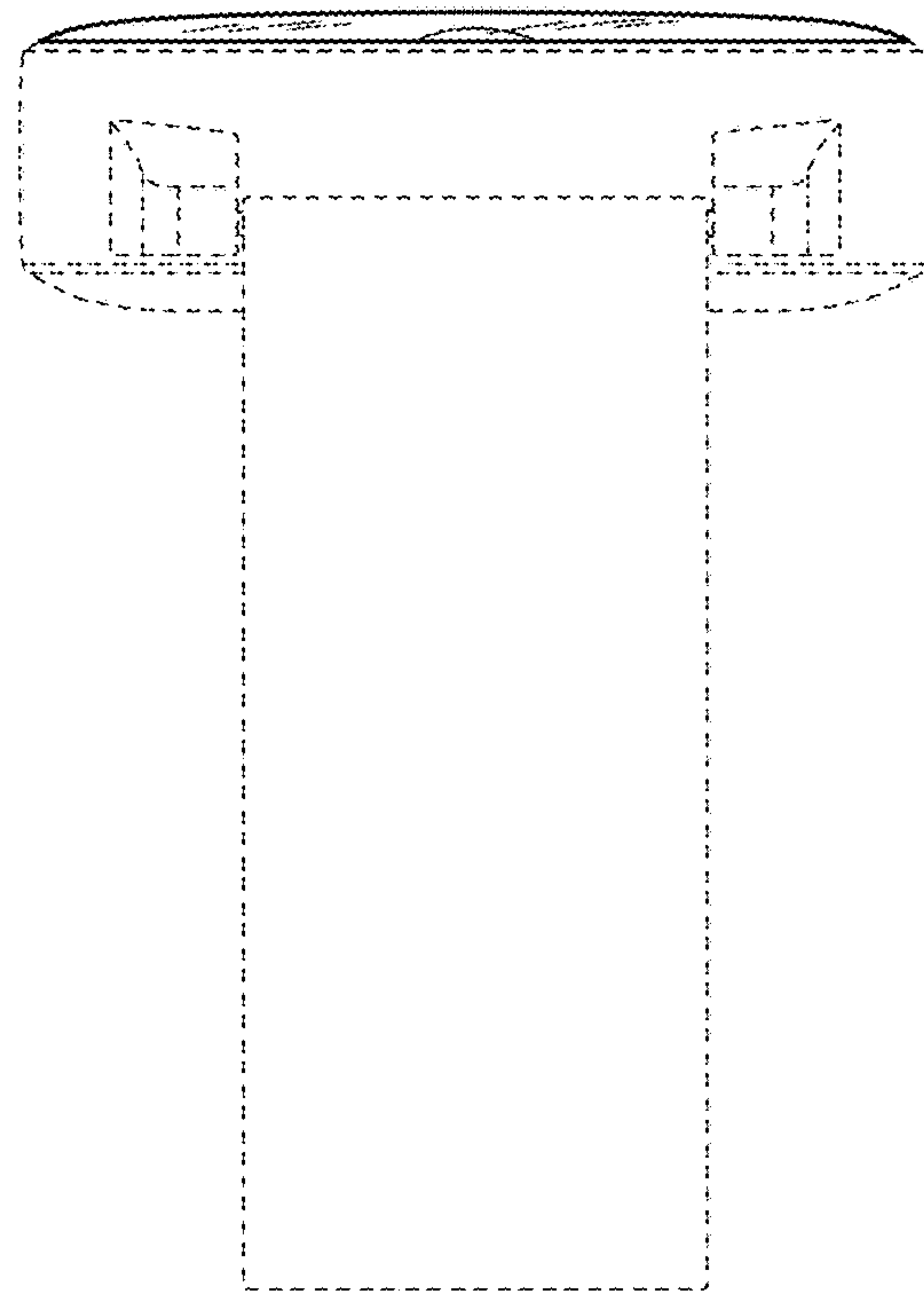


FIG. 7