



US00D857525S

(12) **United States Design Patent** (10) **Patent No.:** **US D857,525 S**  
**Kwong** (45) **Date of Patent:** **\*\* Aug. 27, 2019**

- (54) **WATCHCASE**
- (71) Applicant: **CITIZEN WATCH CO., LTD.**,  
Nishitokyo-shi, Tokyo (JP)
- (72) Inventor: **Cheng Yu Kwong**, Kowloon (HK)
- (73) Assignee: **Citizen Watch Co., Ltd.** (JP)
- (\*\*) Term: **15 Years**
- (21) Appl. No.: **29/638,592**
- (22) Filed: **Feb. 28, 2018**
- (51) **LOC (12) Cl.** ..... **10-02**
- (52) **U.S. Cl.**  
USPC ..... **D10/30; D10/128**
- (58) **Field of Classification Search**  
USPC ..... **D10/30-32, 37-39, 122-124, 126, 128**  
See application file for complete search history.

- D760,606 S \* 7/2016 Bonadei ..... D10/128
- D793,880 S \* 8/2017 Takahashi ..... D10/30
- D795,729 S \* 8/2017 Monachon
- D797,597 S \* 9/2017 Monachon ..... D10/128
- D820,693 S \* 6/2018 Hoi ..... D10/39
- D821,231 S \* 6/2018 Pan ..... D10/70
- D823,136 S \* 7/2018 Takahashi ..... D10/30
- D823,139 S \* 7/2018 Kuroda ..... D10/39
- D824,782 S \* 8/2018 Bernheim ..... D10/30
- D824,783 S \* 8/2018 Bernheim ..... D10/30

\* cited by examiner

*Primary Examiner* — Karen E Kearney  
*Assistant Examiner* — Katherine Glennon  
 (74) *Attorney, Agent, or Firm* — RatnerPrestia

(57) **CLAIM**

The ornamental design for a watchcase, as shown and described.

**DESCRIPTION**

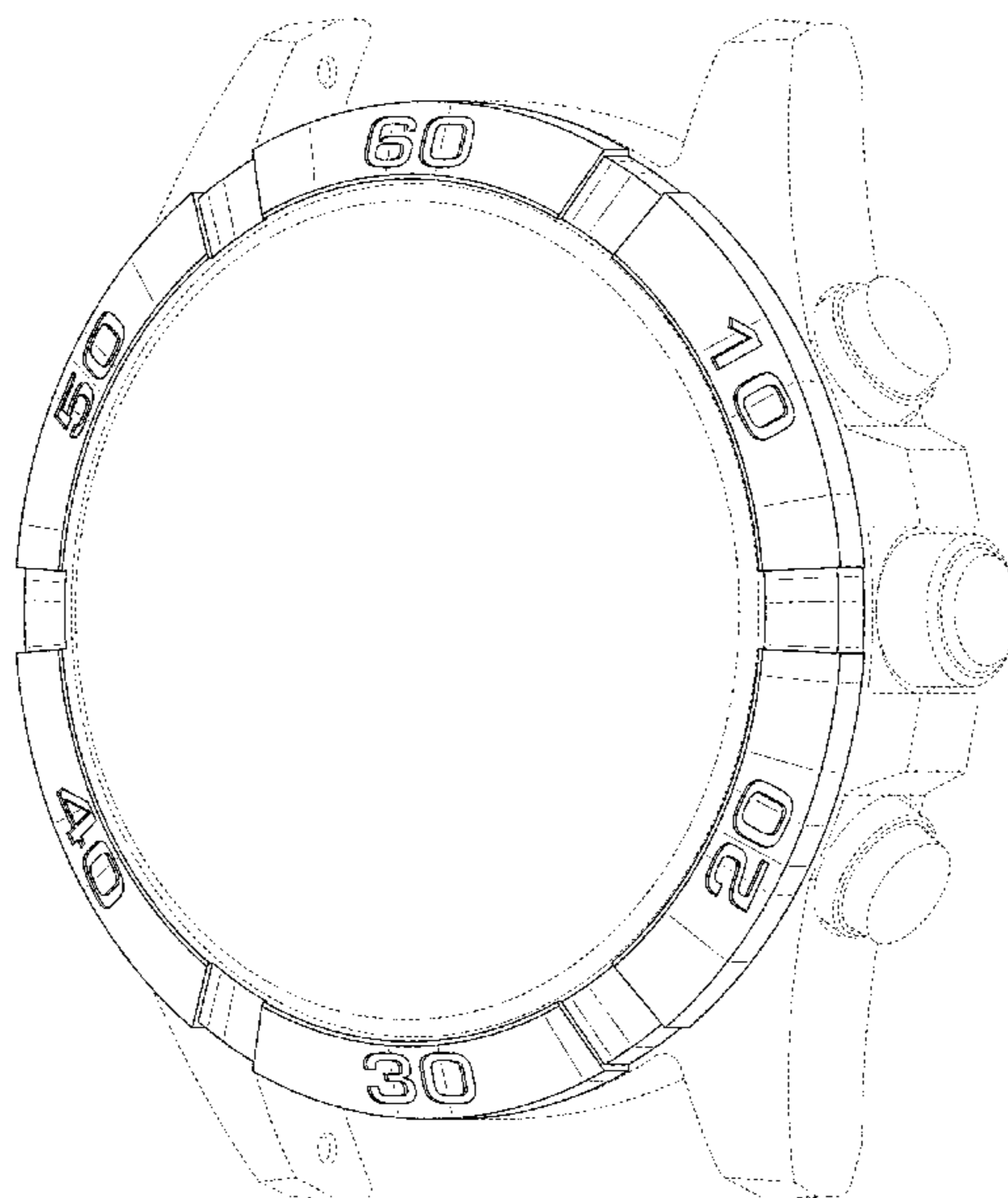
FIG. 1 is an enlarged perspective view of a watchcase showing my new design;  
 FIG. 2 is a front elevational view thereof;  
 FIG. 3 is a left side elevational view thereof;  
 FIG. 4 is a right side elevational view thereof;  
 FIG. 5 is a rear elevational view thereof;  
 FIG. 6 is a top plan view thereof; and,  
 FIG. 7 is a bottom plan view thereof.  
 The broken lines illustrate portions of the watchcase that form no part of the claimed design.

**1 Claim, 7 Drawing Sheets**

(56) **References Cited**

**U.S. PATENT DOCUMENTS**

- D380,698 S \* 7/1997 Paredes ..... D10/128
- D399,763 S \* 10/1998 Rabassa ..... D10/38
- D400,803 S \* 11/1998 Kennedy ..... D10/30
- D504,330 S \* 4/2005 Dias ..... D10/32
- D543,886 S \* 6/2007 Pandel ..... D10/128
- D599,218 S \* 9/2009 Izuka ..... D10/32
- D632,592 S \* 2/2011 Actis-Datta ..... D10/32
- D664,864 S \* 8/2012 Kawashima ..... D10/32
- D711,751 S \* 8/2014 Laucella ..... D10/39
- D754,549 S \* 4/2016 Takahashi ..... D10/128



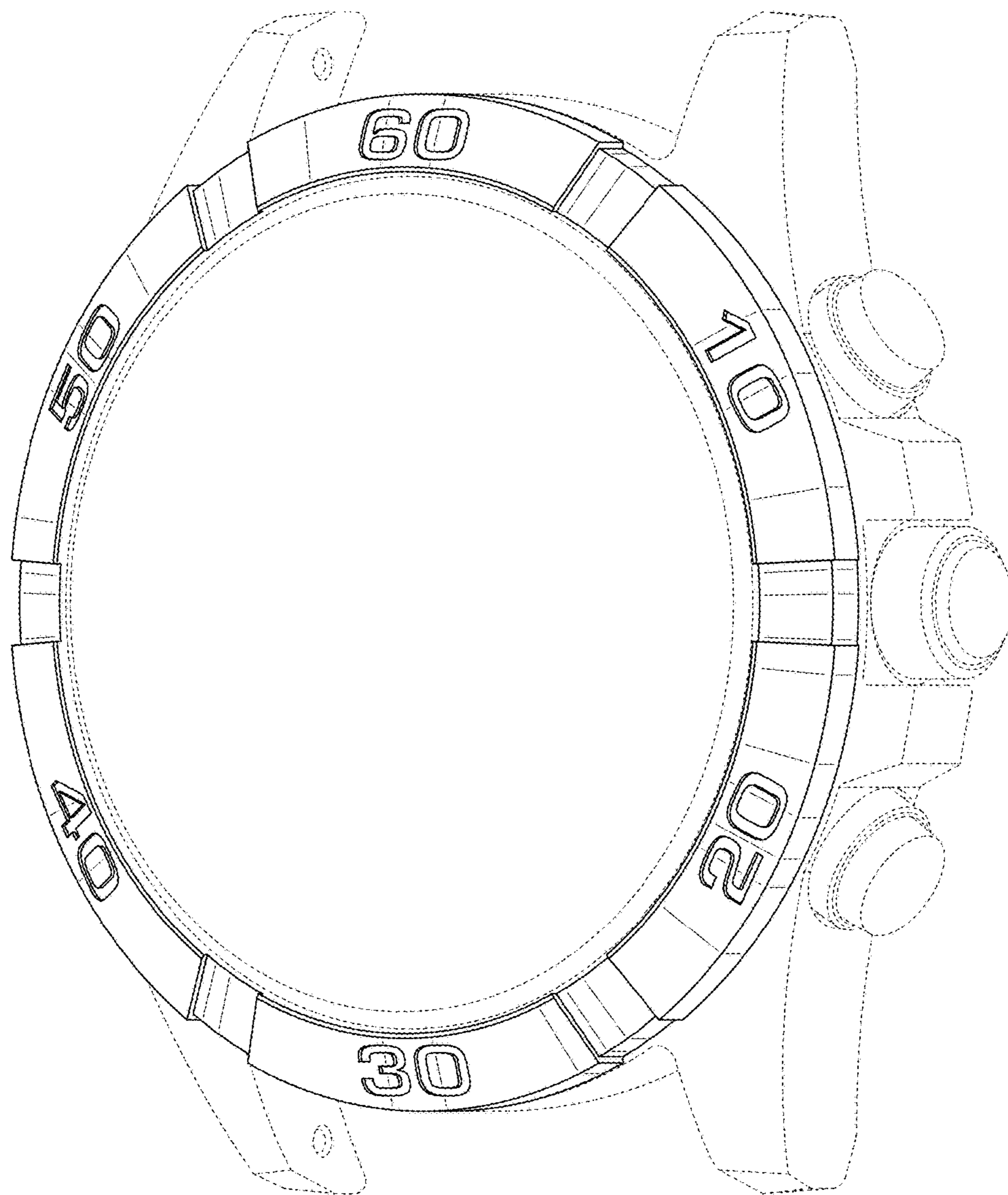


FIG. 1

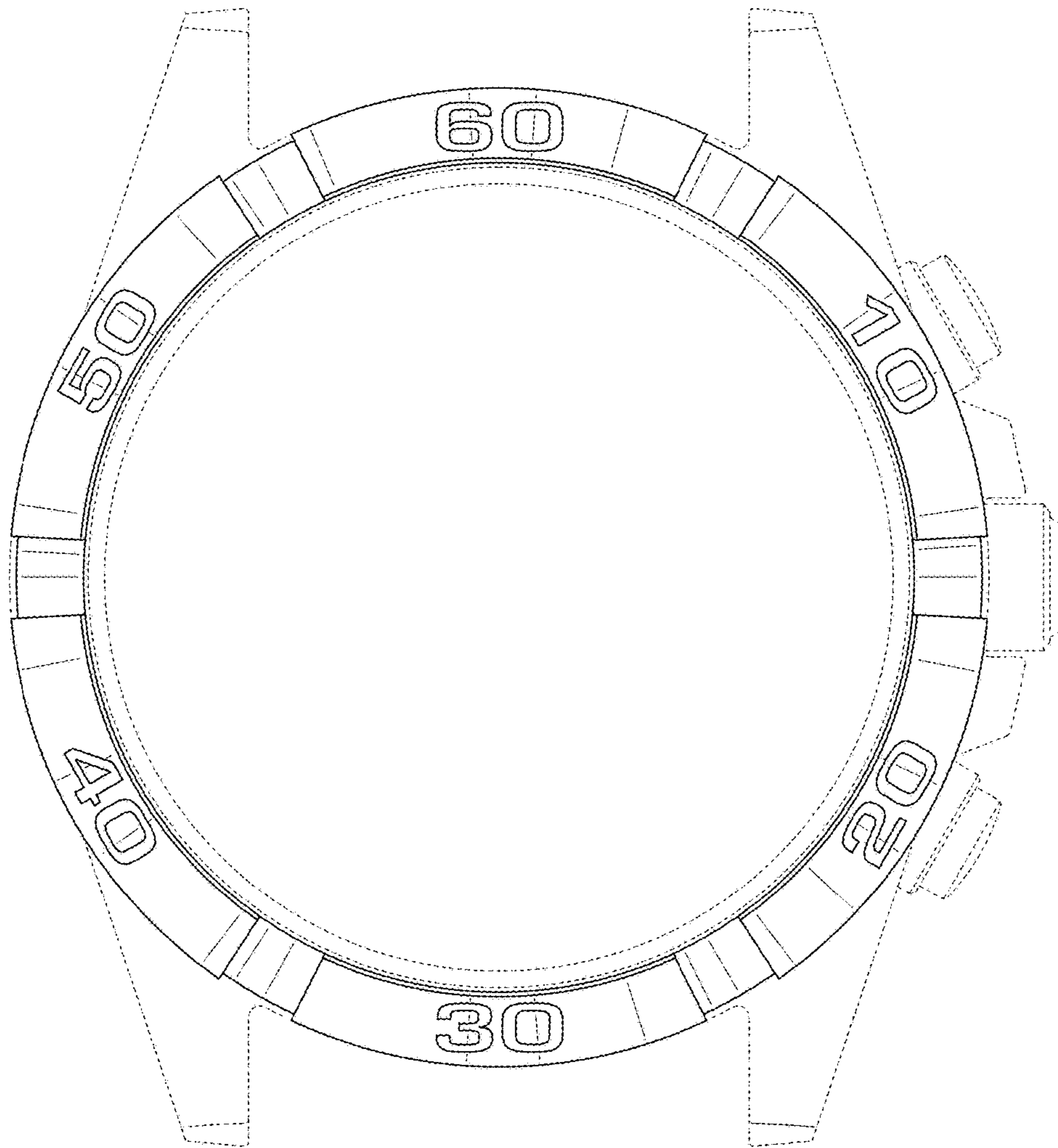


FIG. 2

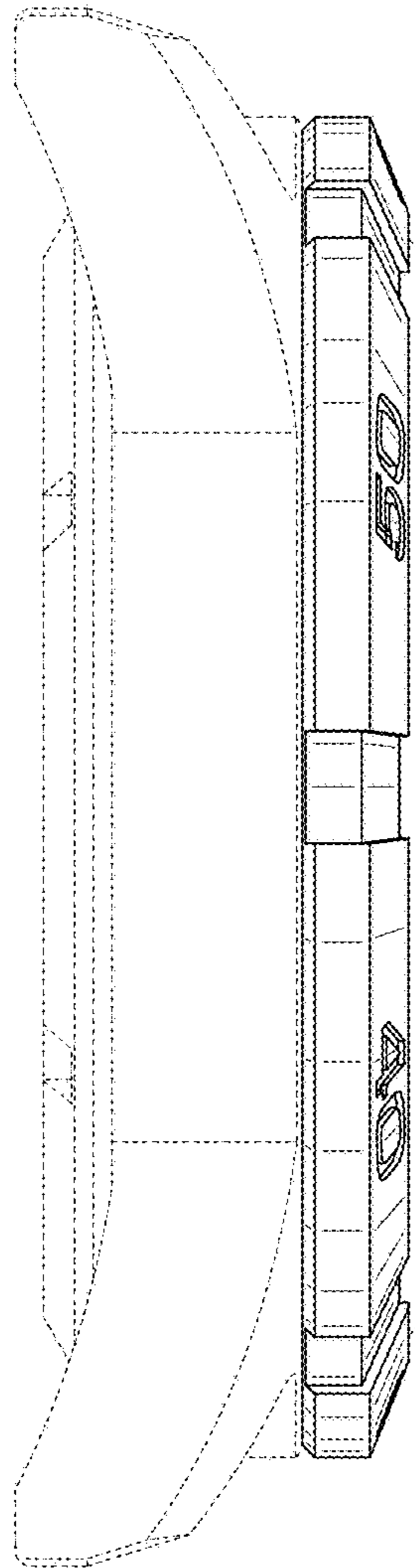


FIG. 3

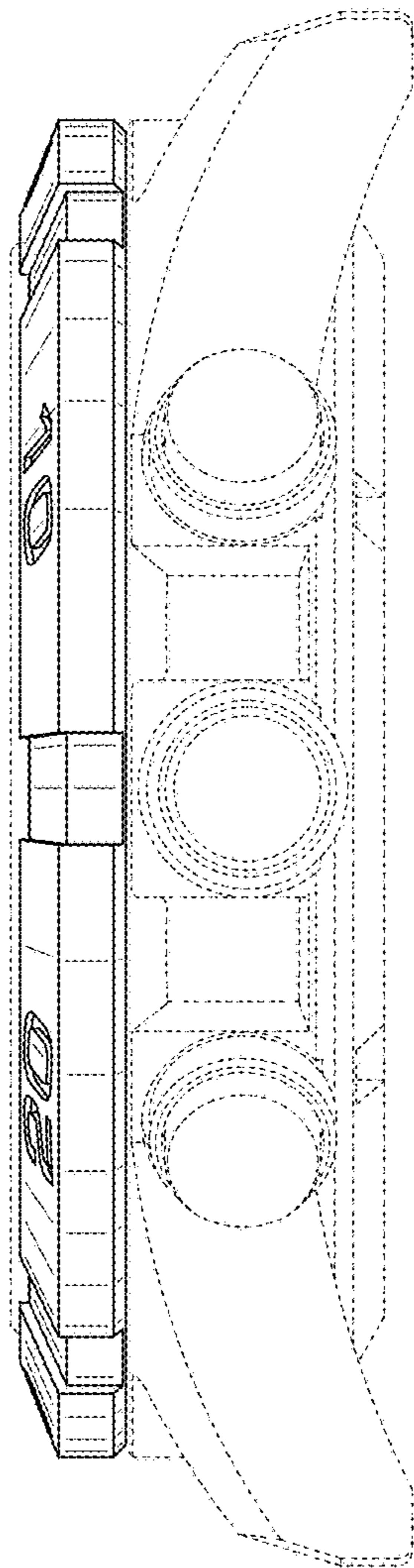


FIG. 4

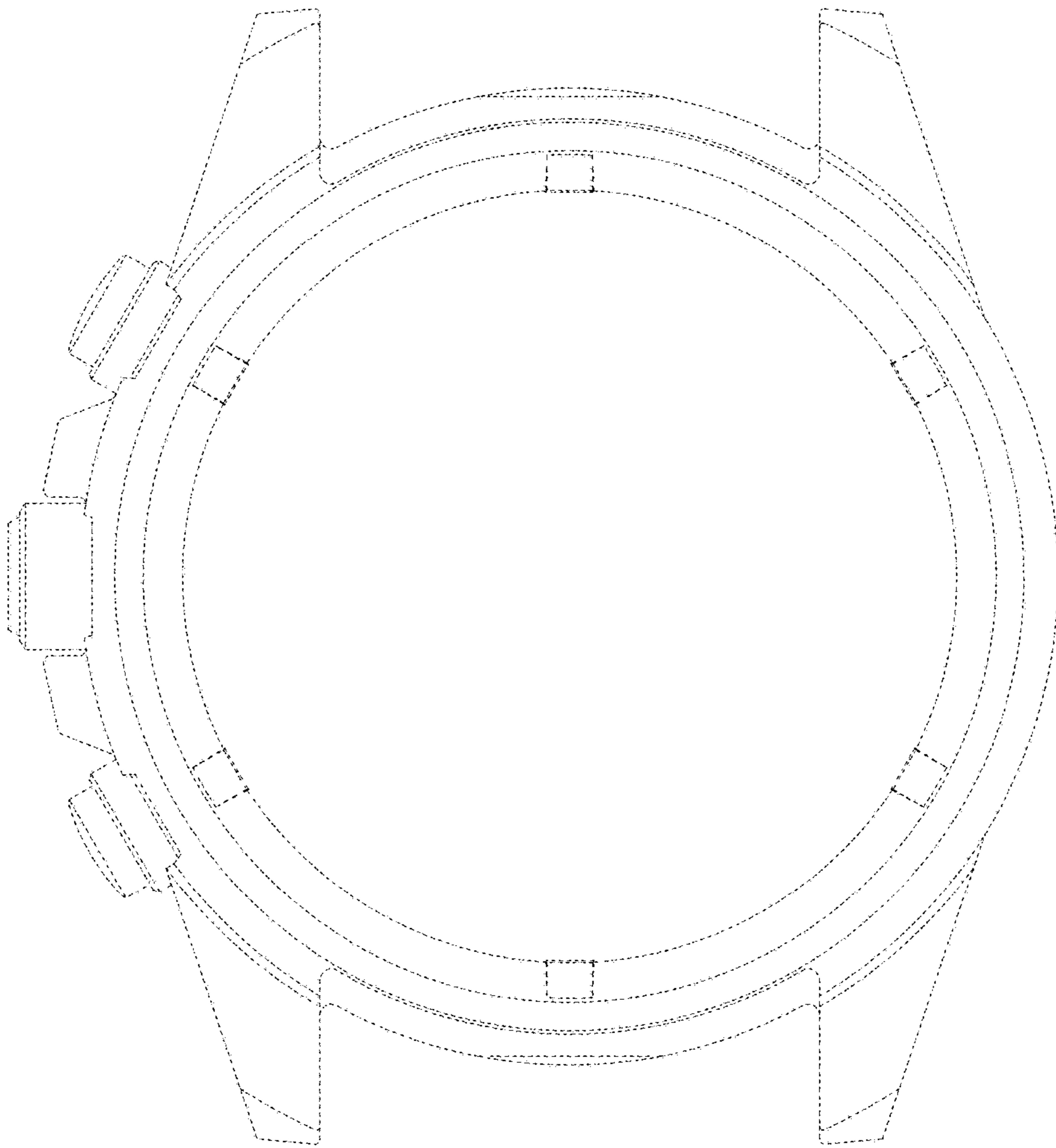


FIG. 5

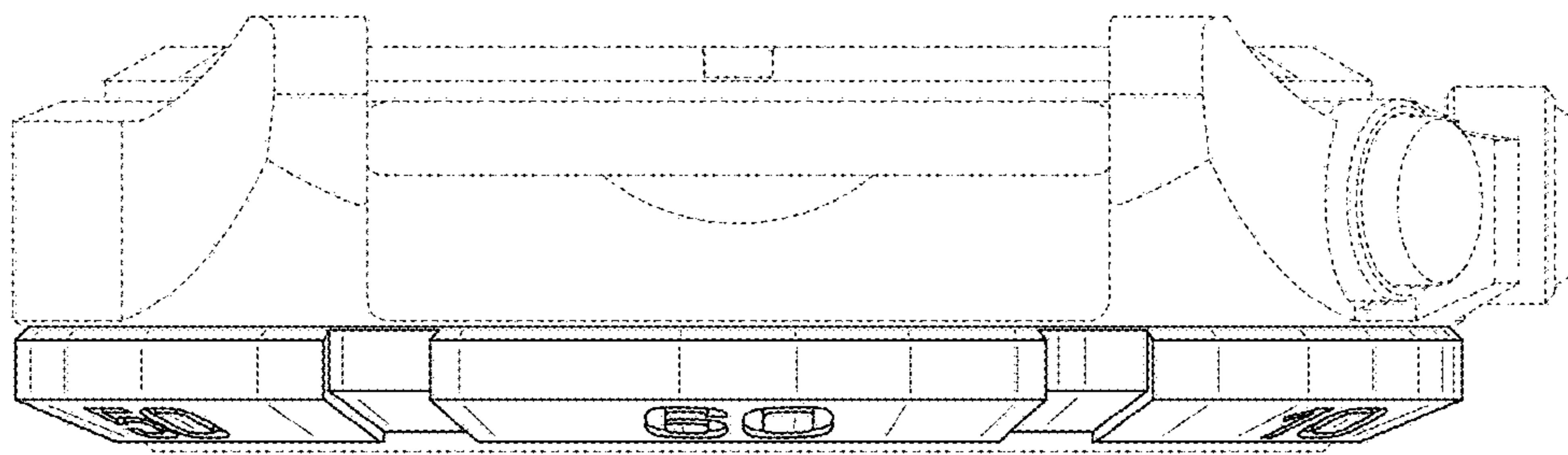


FIG. 6

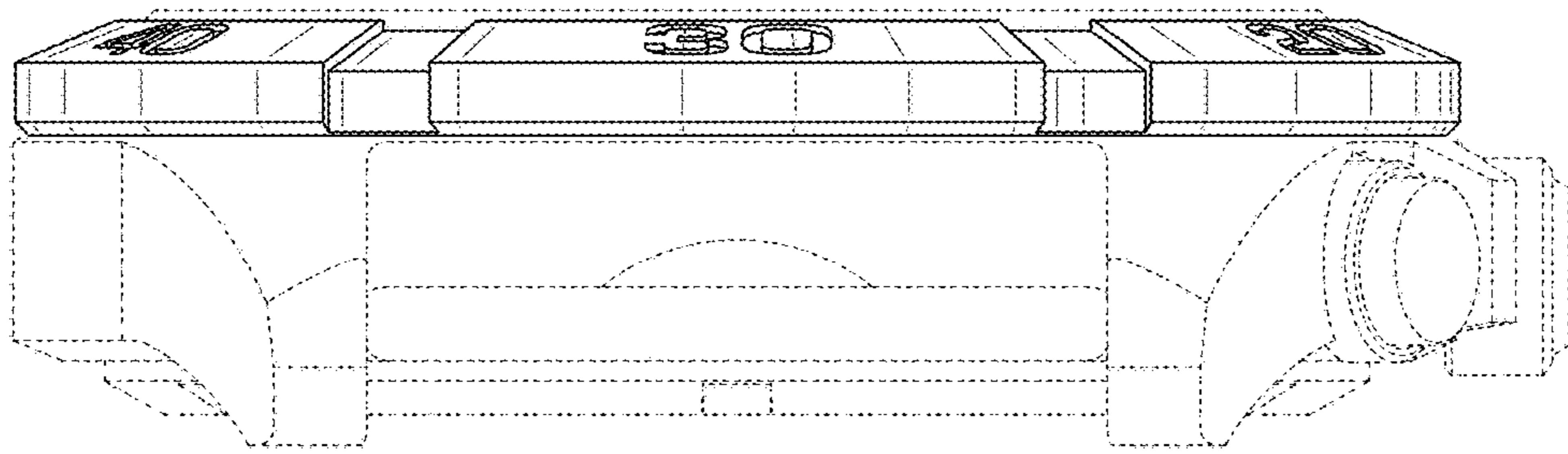


FIG. 7