



US00D857524S

(12) **United States Design Patent** (10) **Patent No.:** **US D857,524 S**  
**Grady et al.** (45) **Date of Patent:** **\*\* Aug. 27, 2019**

(54) **MATERIAL AND APPLICATOR PACKAGE**

FOREIGN PATENT DOCUMENTS

- (71) Applicant: **Centrix, Inc.**, Shelton, CT (US)
- (72) Inventors: **Jay Grady**, Wolcott, CT (US); **Robert Nordquist**, Wilton, CT (US)
- (73) Assignee: **Centrix, Inc.**, Shelton, CT (US)
- (\*\*) Term: **15 Years**
- (21) Appl. No.: **29/594,517**
- (22) Filed: **Feb. 20, 2017**
- (51) **LOC (12) Cl.** ..... **09-01**
- (52) **U.S. Cl.**  
USPC ..... **D9/723; D9/737**
- (58) **Field of Classification Search**  
USPC ..... D9/737, 723, 727, 717, 718, 415, 414, D9/418; 206/361, 362.2, 362.3, 368, 206/63.5, 229, 15.3, 209; 422/430  
CPC .... B65D 81/3294; B65D 69/00; B65D 73/00; B65D 75/327; B65D 51/32; B65D 75/323; B65D 75/24; A61B 1/00144; A61C 2202/00; A61C 19/005; A61K 2800/87; A61M 5/002  
See application file for complete search history.

CA	175985	*	3/2018	.....	9/3
CN	304492599	*	2/2018	.....	9/3

*Primary Examiner* — Cathron C Brooks  
*Assistant Examiner* — W. A. Teddy Falloway  
 (74) *Attorney, Agent, or Firm* — Fattibene and Fattibene LLC; Paul A. Fattibene

(57) **CLAIM**

The ornamental design for a material and applicator package, as shown and described.

**DESCRIPTION**

FIG. 1 is a perspective view of a first embodiment of a material and applicator package showing the new design with an attached cover;  
 FIG. 2 is a perspective view thereof without an attached cover;  
 FIG. 3 is a perspective view at a different angle;  
 FIG. 4 is a top plan view thereof;  
 FIG. 5 is a bottom plan view thereof;  
 FIG. 6 is a right side elevational view thereof, with the left side being a mirror image;  
 FIG. 7 is a rear side elevational view thereof;  
 FIG. 8 is a front side elevational view thereof;  
 FIG. 9 is a perspective view of a second embodiment of a material and applicator package showing the new design;  
 FIG. 10 is a top plan view thereof;  
 FIG. 11 is a bottom plan view thereof;  
 FIG. 12 is a right side elevational view thereof, with the left side being a mirror image;  
 FIG. 13 is a rear side elevational view thereof; and,  
 FIG. 14 is a front side elevational view thereof.  
 The broken lines shown illustrate portions of the material and applicator package that form no part of the claimed design.

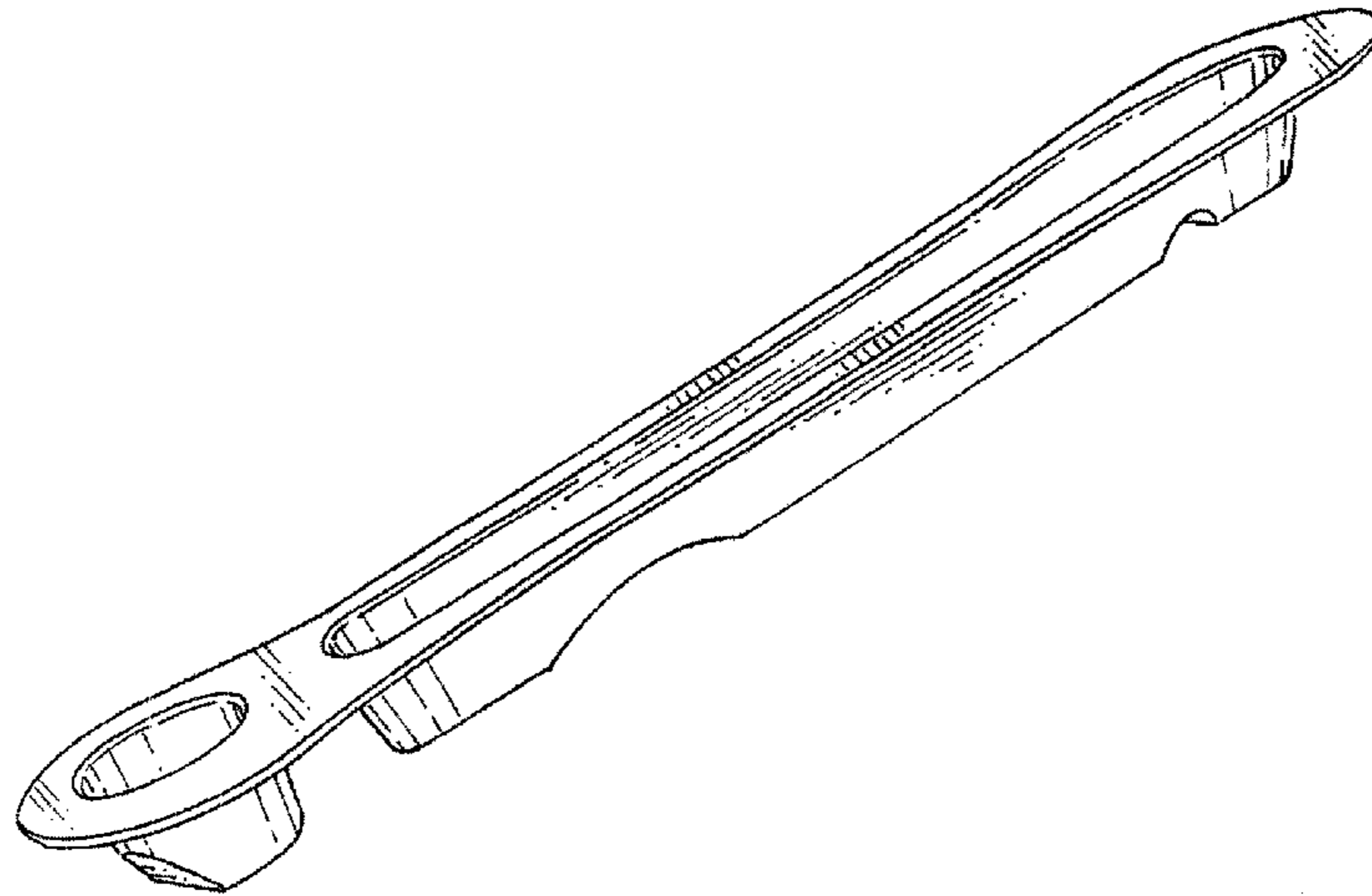
(56) **References Cited**

U.S. PATENT DOCUMENTS

3,428,460	A *	2/1969	Ely	.....	A47G 21/004 426/112
3,759,375	A *	9/1973	Nappi	.....	A45D 40/0087 132/286
3,976,195	A *	8/1976	Cohen	.....	B65D 1/30 206/362
4,106,621	A *	8/1978	Sorenson	.....	A61M 5/002 206/365
D263,074	S *	2/1982	Mason	.....	D24/220
D275,517	S *	9/1984	Hamilton	.....	D24/221
D325,526	S *	4/1992	Deguchi	.....	D9/415
5,112,152	A *	5/1992	McBride	.....	A45D 40/0087 206/209

(Continued)

**1 Claim, 5 Drawing Sheets**



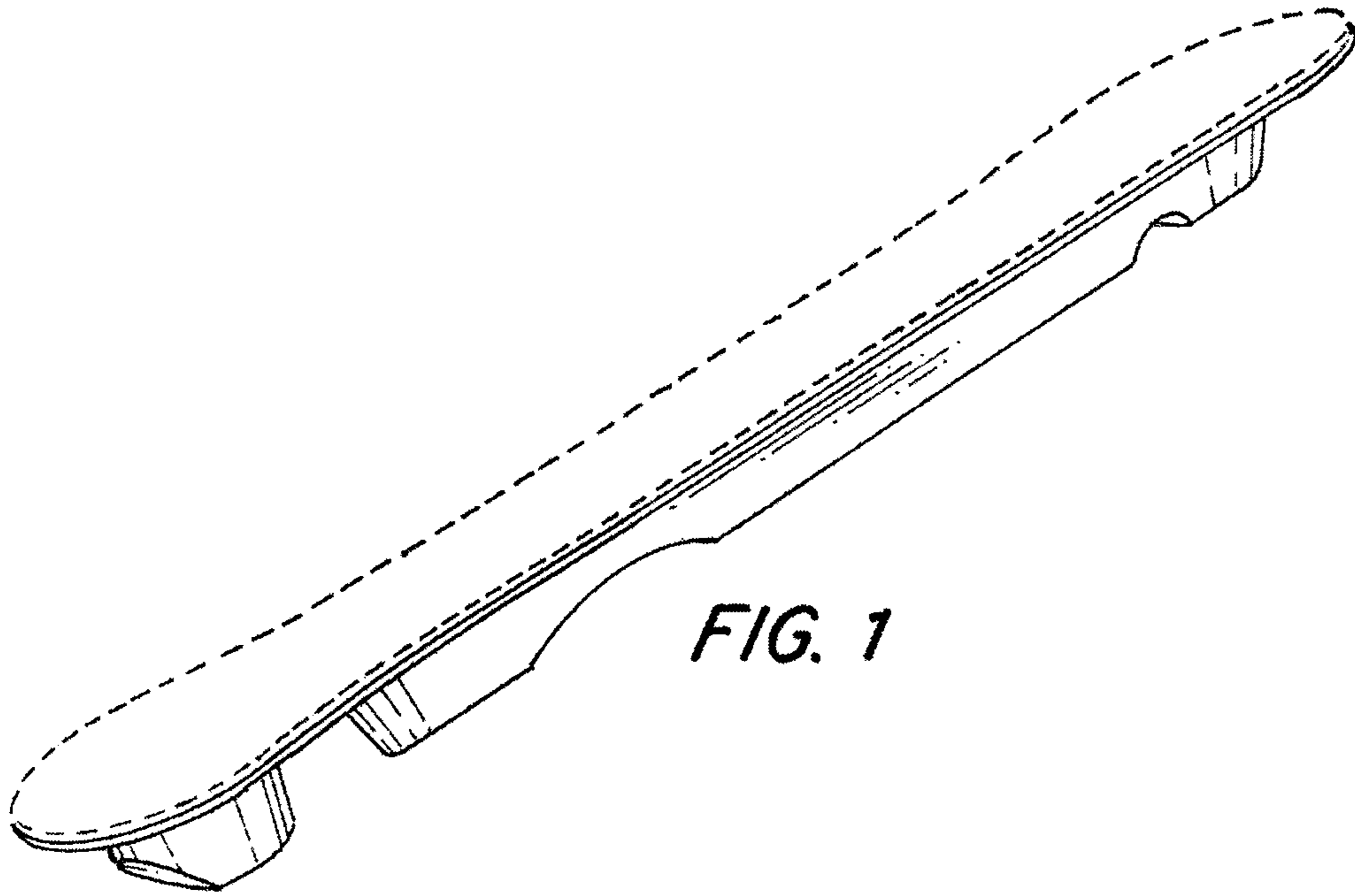
(56)

References Cited

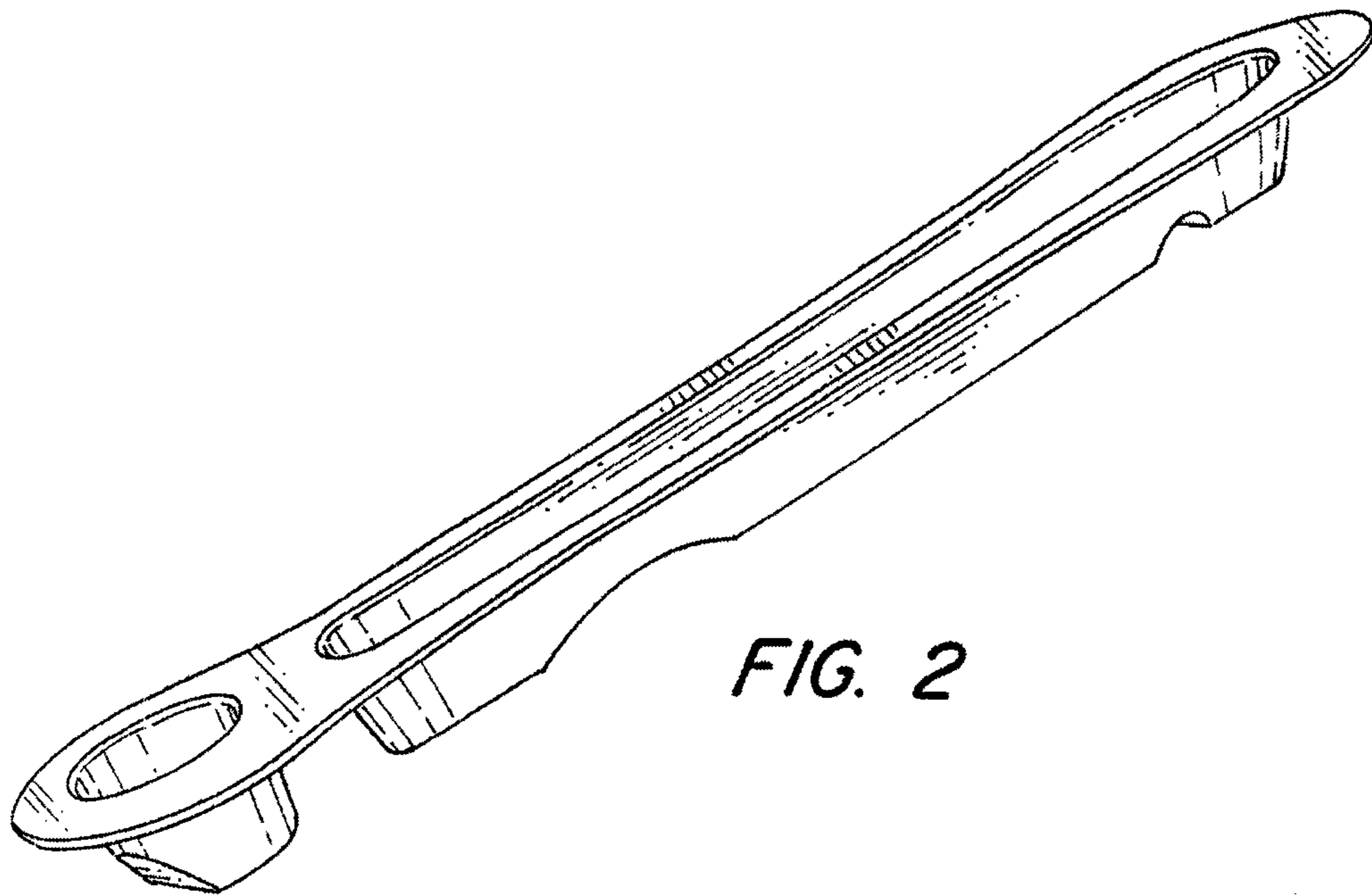
U.S. PATENT DOCUMENTS

5,660,273 A	8/1997	Discko, Jr.	206/229	8,181,777 B2 *	5/2012	Suchan	B65D 75/323
5,954,996 A	9/1999	Discko, Jr.	252/79.1				132/317
D419,439 S *	1/2000	Markovsky	D9/415	D704,547 S *	5/2014	Marotti	D9/415
D421,217 S	2/2000	Discko, Jr.	D6/415	D725,264 S *	3/2015	Zhang	D24/133
6,116,414 A	9/2000	Discko, Jr.	206/229	2001/0045374 A1 *	11/2001	Selker	A61J 1/067
6,328,159 B1	12/2001	Discko, Jr.	206/229				206/542
6,372,313 B1 *	4/2002	D'Alessio	B65D 81/3294	2002/0027088 A1 *	3/2002	Discko, Jr.	A61M 35/003
			206/229				206/229
6,685,013 B2	2/2004	Discko, Jr.	206/229	2002/0185401 A1 *	12/2002	Duquet	A45D 40/0087
6,802,416 B1 *	10/2004	D'Alessio	B65D 81/3294				206/461
			206/229	2003/0146116 A1	8/2003	Klein et al.	206/229
D499,335 S *	12/2004	Nestenberg	D24/112	2004/0238391 A1 *	12/2004	Pond	A61C 3/005
D501,791 S *	2/2005	Geiberger	D9/415				206/369
6,959,808 B2	11/2005	Discko, Jr.	206/229	2010/0230312 A1 *	9/2010	Sorrentino	B65D 21/0202
7,243,789 B2	7/2007	Discko, Jr.	206/229				206/369
D549,110 S *	8/2007	Gray	D9/723	2011/0027750 A1 *	2/2011	Boehm	B65D 81/3294
7,320,398 B2 *	1/2008	Bertl	B65D 75/36				433/89
			206/15.3	2013/0284620 A1 *	10/2013	Walter	B65D 81/3266
7,828,142 B2	11/2010	Discko, Jr.	206/229				206/221
D631,345 S *	1/2011	Gustafson	D9/434	2014/0231295 A1 *	8/2014	Ponzini	B65B 5/04
							206/462
				2014/0339111 A1 *	11/2014	Moskovich	B65D 75/366
							206/362.3

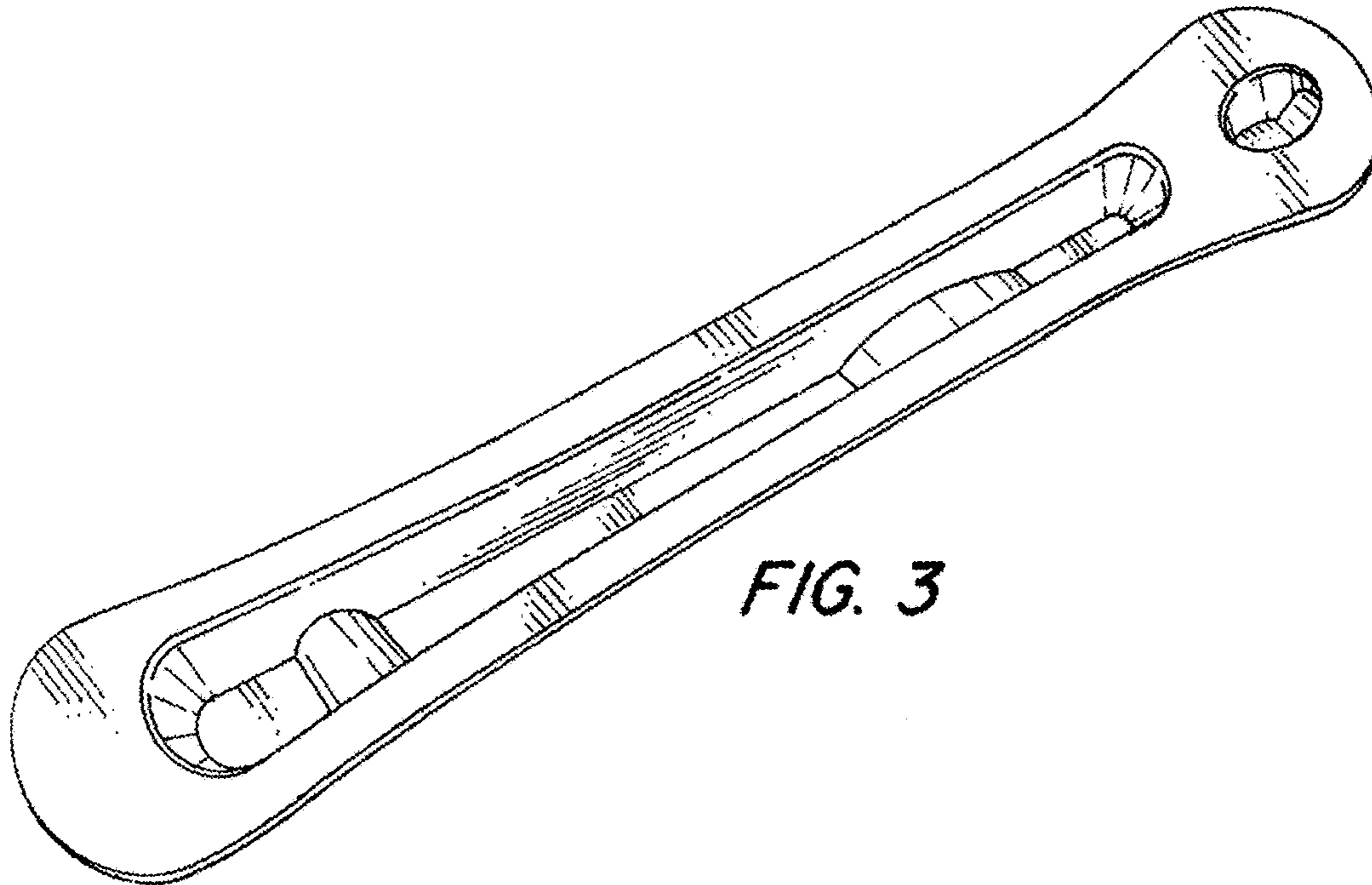
\* cited by examiner



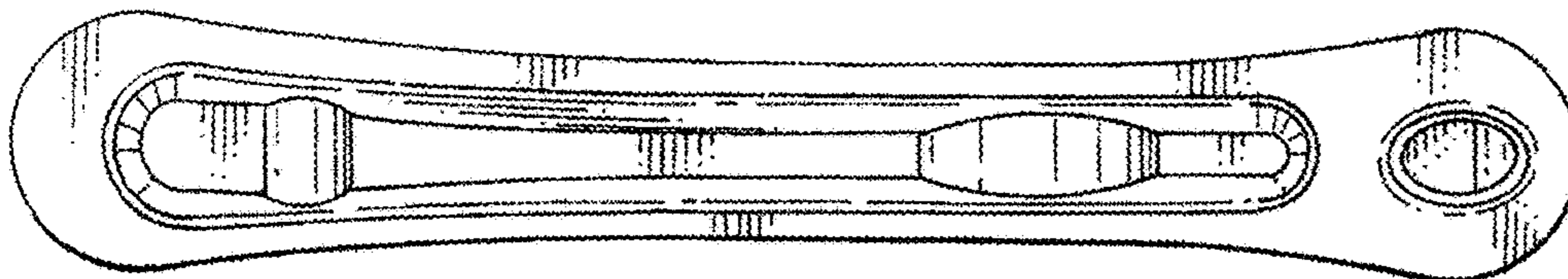
*FIG. 1*



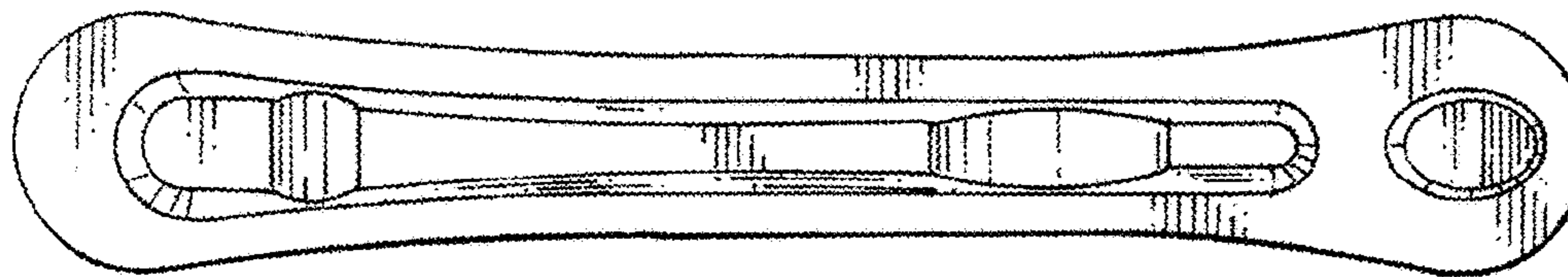
*FIG. 2*



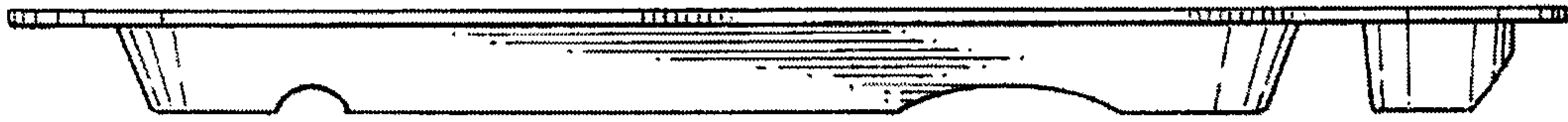
*FIG. 3*



*FIG. 4*



*FIG. 5*



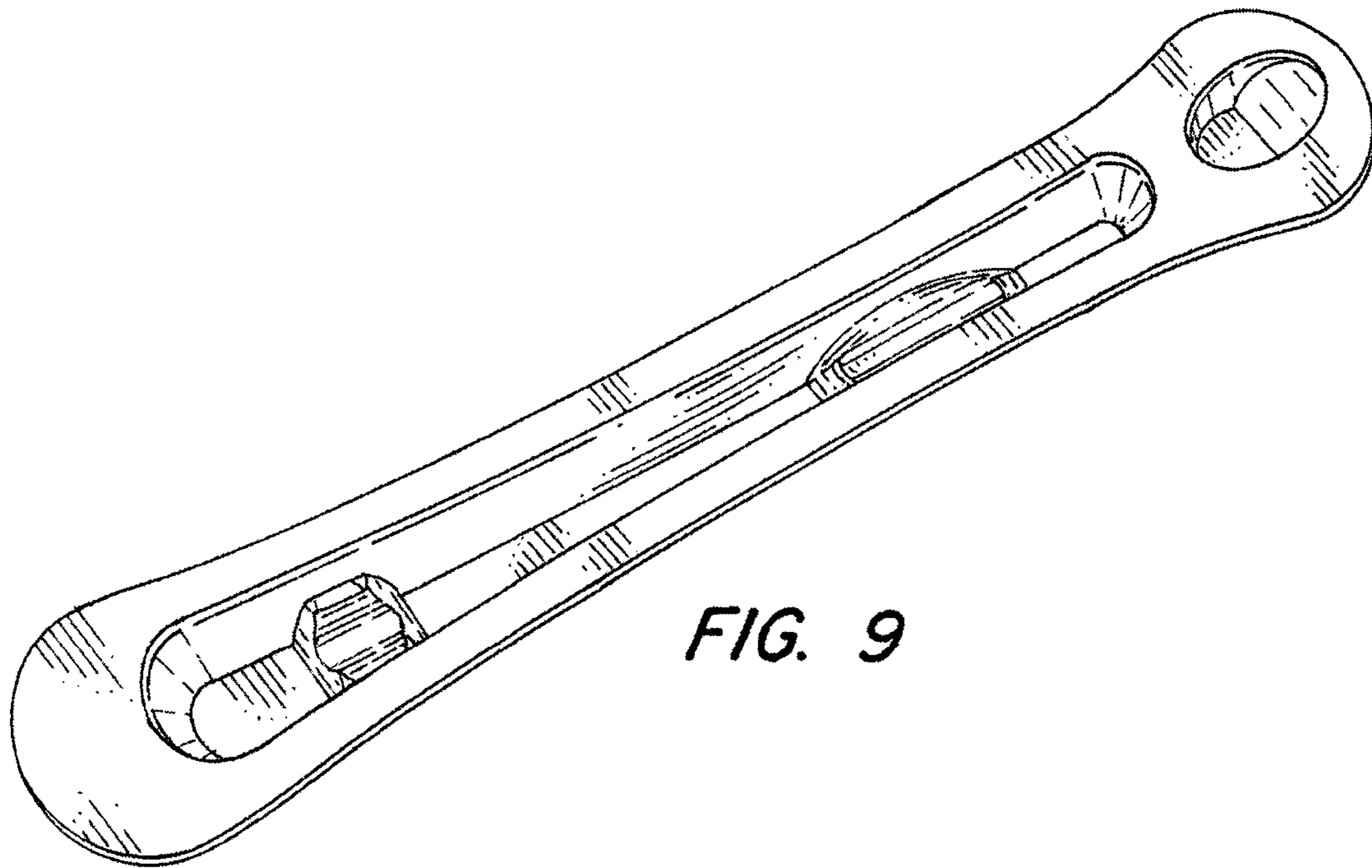
*FIG. 6*



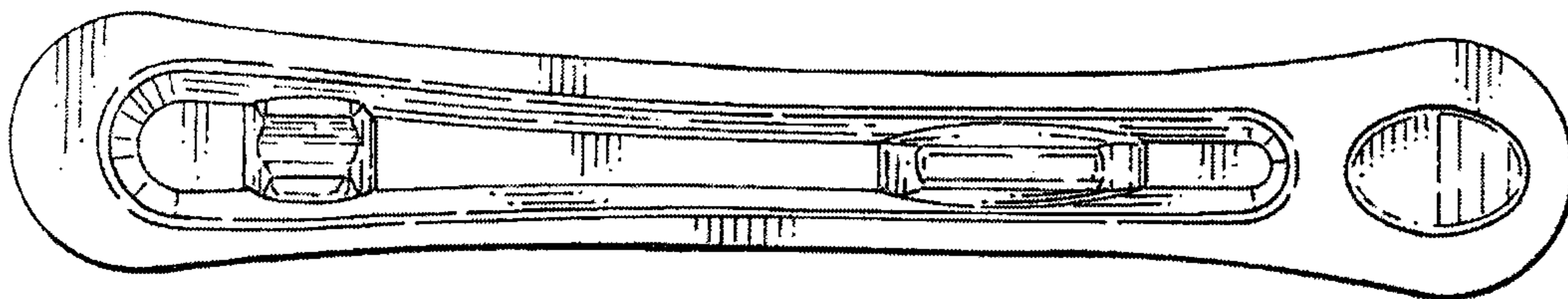
*FIG. 7*



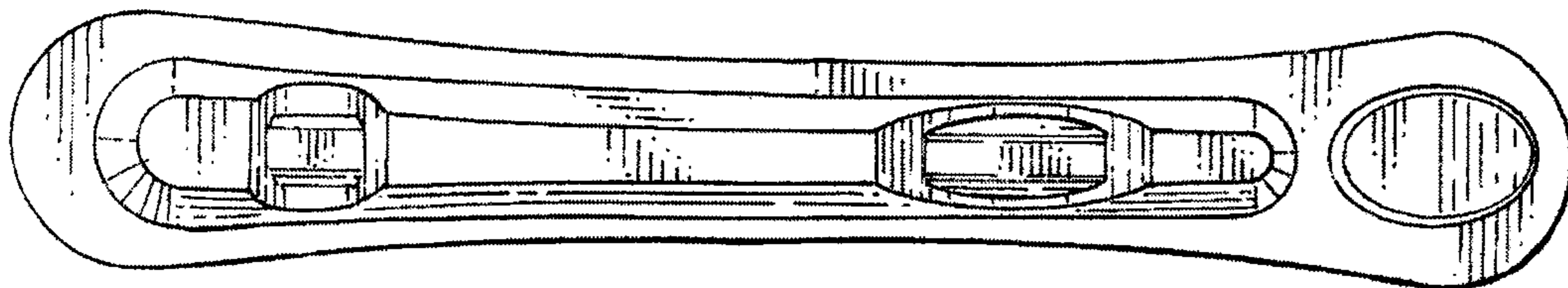
*FIG. 8*



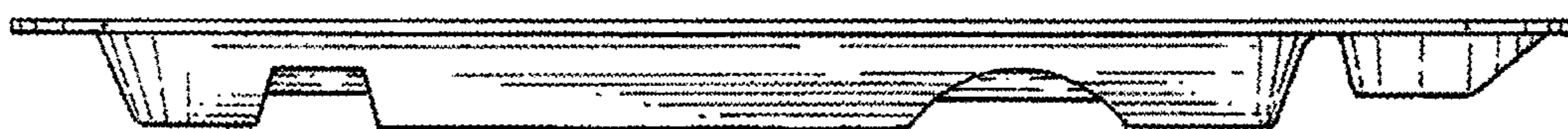
*FIG. 9*



*FIG. 10*



*FIG. 11*



*FIG. 12*



*FIG. 13*



*FIG. 14*