



US00D857522S

(12) **United States Design Patent**
Blake

(10) **Patent No.:** **US D857,522 S**

(45) **Date of Patent:** **** Aug. 27, 2019**

(54) **FLEXIBLE TACO FOOD POUCH**

(71) Applicant: **Kenneth Blake**, Bronx, NY (US)

(72) Inventor: **Kenneth Blake**, Bronx, NY (US)

(**) Term: **15 Years**

(21) Appl. No.: **29/648,991**

(22) Filed: **May 25, 2018**

(51) **LOC (12) Cl.** **09-05**

(52) **U.S. Cl.**
USPC **D9/710**

(58) **Field of Classification Search**
USPC D9/702-714, 414-416, 426, 428,
D9/431-432; D7/601-602, 637, 504,
D7/641, 553.6; 211/85.4, 72-73, 71.01;
229/938

CPC A47G 19/30; A47G 21/001
See application file for complete search history.

(56) **References Cited**

U.S. PATENT DOCUMENTS

3,293,048	A	12/1966	Kitterman	
4,806,371	A	2/1989	Mendenhall	
4,872,566	A *	10/1989	Alsup	A47G 19/30 211/85.4
5,075,119	A	12/1991	Mendenhall	
D336,014	S *	6/1993	Castro	D7/504
D475,614	S	6/2003	Jones	
7,186,961	B2	3/2007	Ozawa	
D668,507	S *	10/2012	Williamson	D7/504
D669,794	S	10/2012	Hoorn	
D687,717	S	8/2013	Ewart et al.	

D779,878	S *	2/2017	Marneweck	D7/504
D799,982	S	10/2017	Wells	
D799,983	S	10/2017	Haughton et al.	
D812,487	S	3/2018	Soegyanto	
D818,316	S *	5/2018	Disraeli	D7/504

* cited by examiner

Primary Examiner — Abraham Bahta

(74) *Attorney, Agent, or Firm* — Suzanne Kikel, Patent Agent

(57) **CLAIM**

The ornamental design for a flexible taco food pouch, as shown and described.

DESCRIPTION

FIG. 1 is a perspective view of a flexible taco food pouch, showing my new design as supported in a taco shell.

FIG. 2 is a perspective view of the flexible taco food pouch out of the taco shell and being torn open with the food ingredients falling into the taco shell.

FIG. 3 is a front elevational view of the flexible taco food pouch, the rear elevational view being a mirror image thereof.

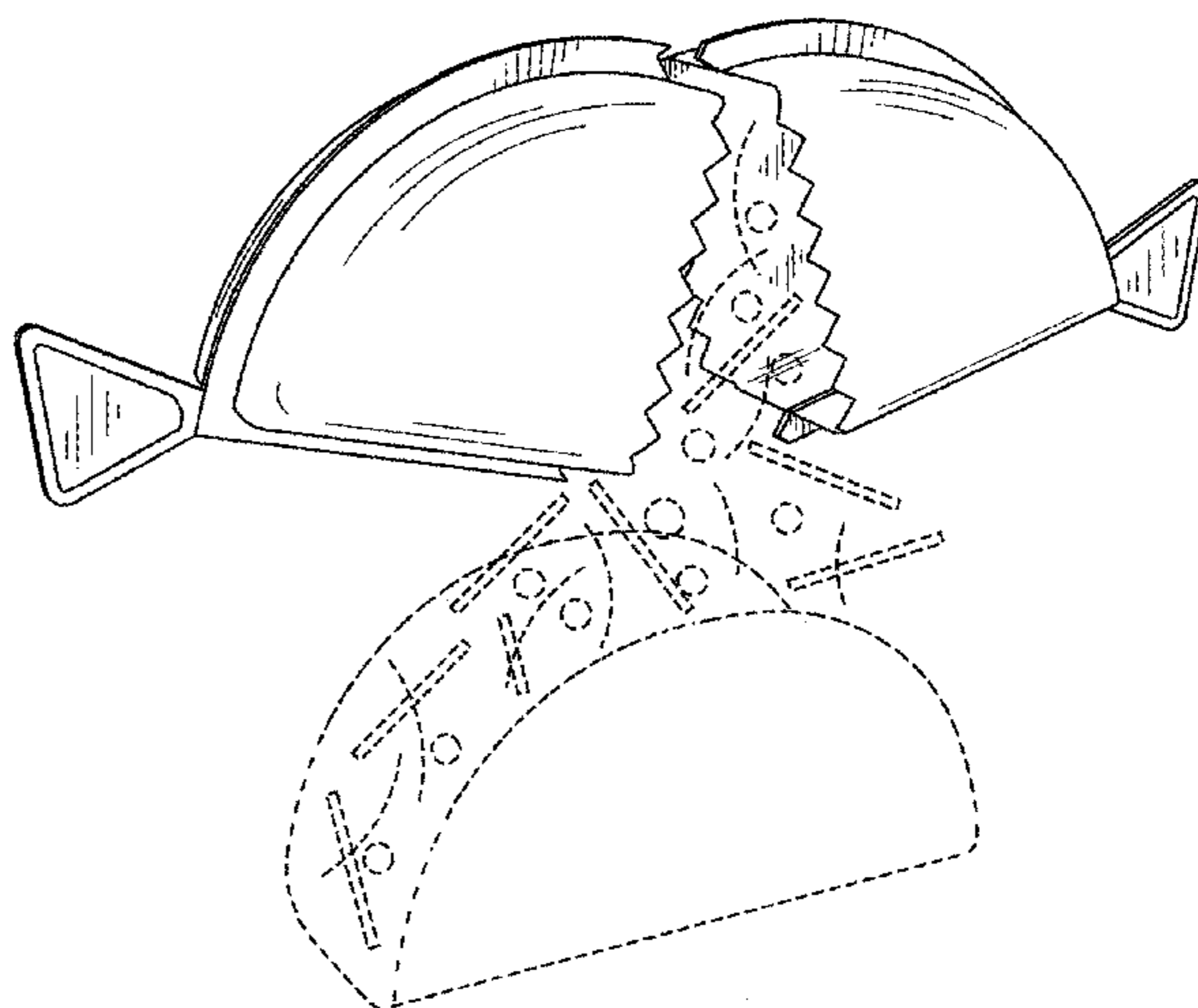
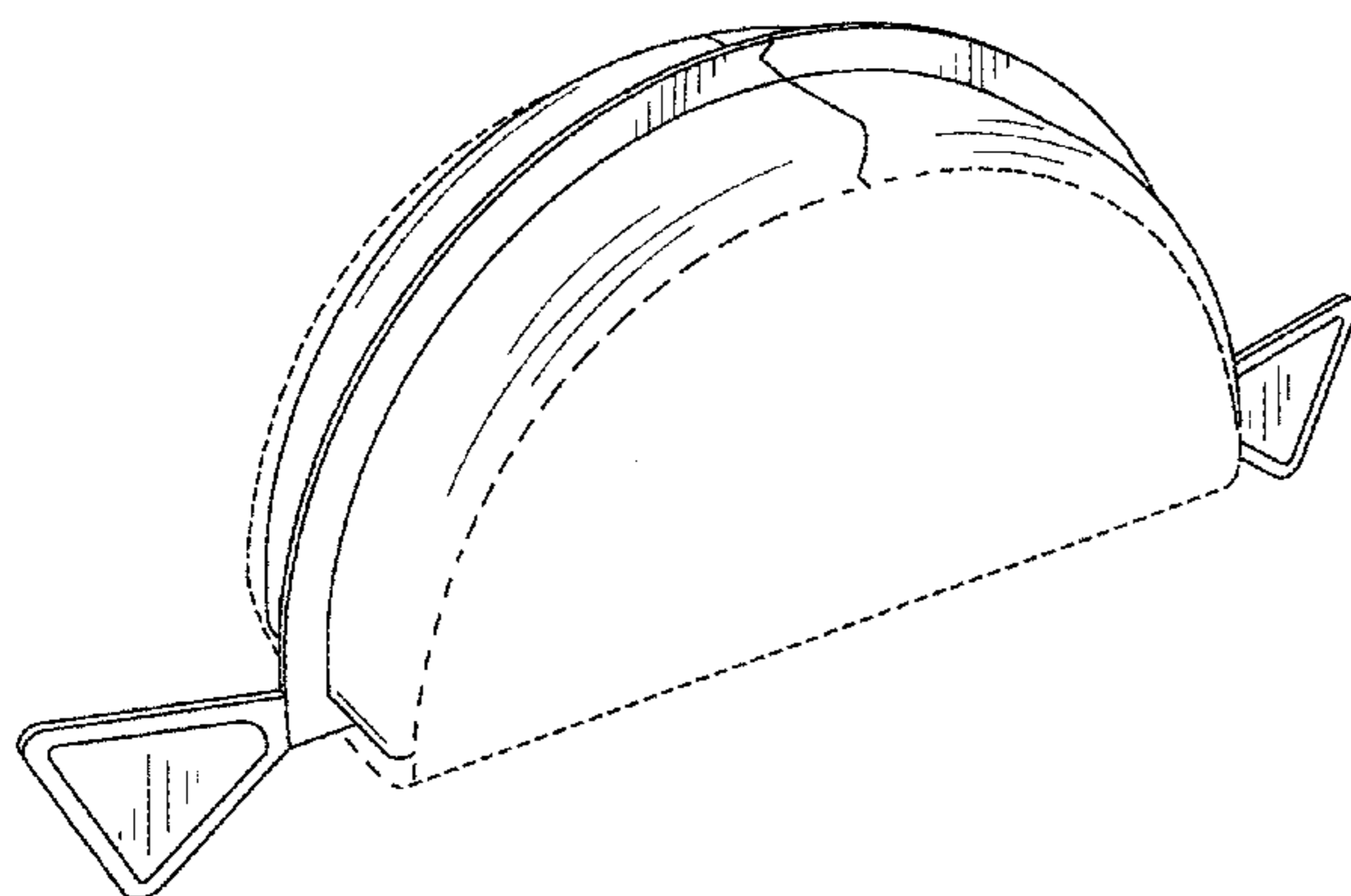
FIG. 4 is a left side view thereof, the right side view being a mirror image thereof.

FIG. 5 is a top plan view thereof; and,

FIG. 6 is a bottom plan view thereof.

The broken lines showing of a taco shell and food ingredients in FIGS. 1 and 2 form no part of the claimed design. The zigzag lines appearing in the middle of the flexible taco food pouch are perforations for easily tearing the flexible taco food pouch apart.

1 Claim, 5 Drawing Sheets



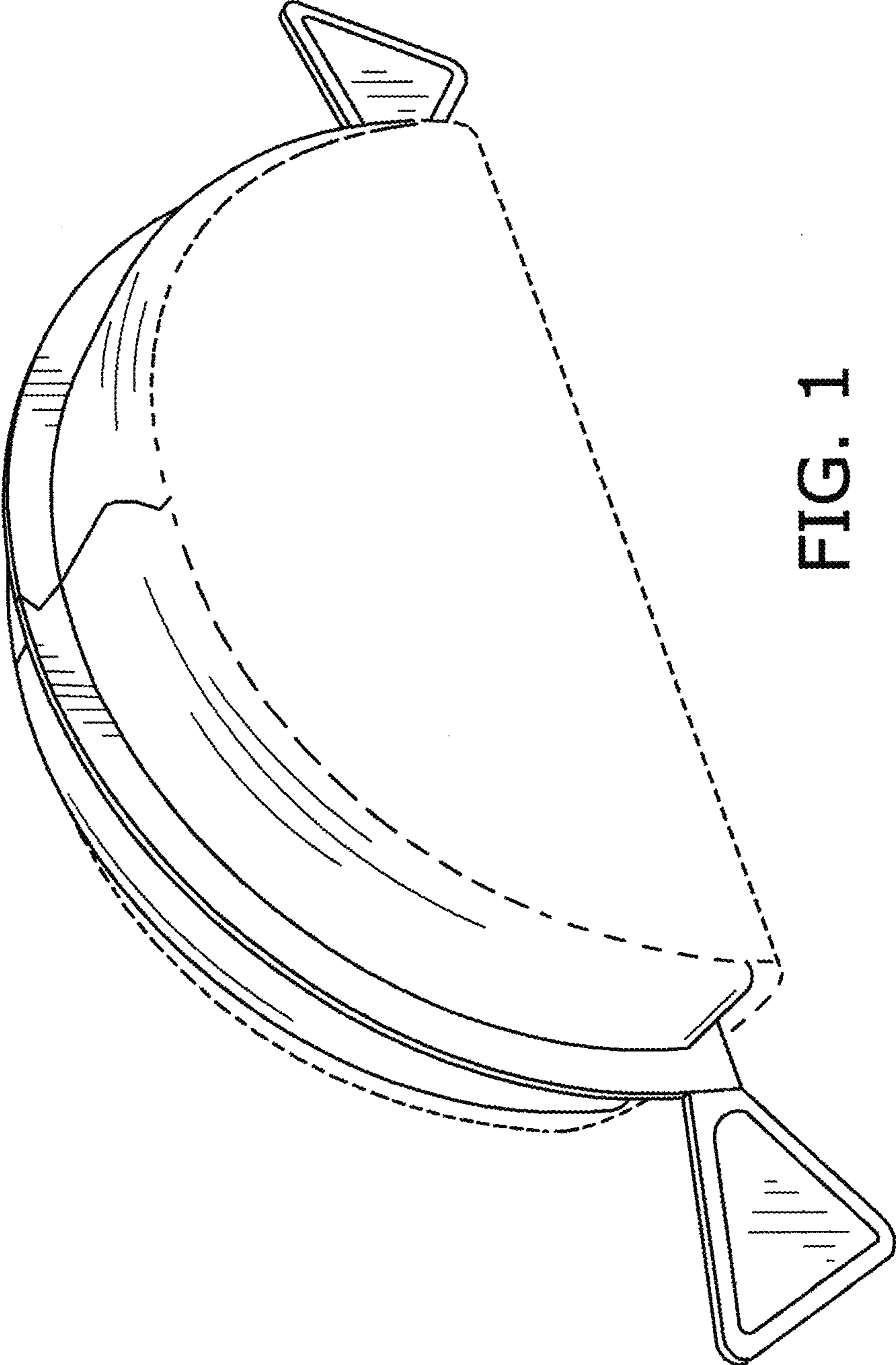


FIG. 1

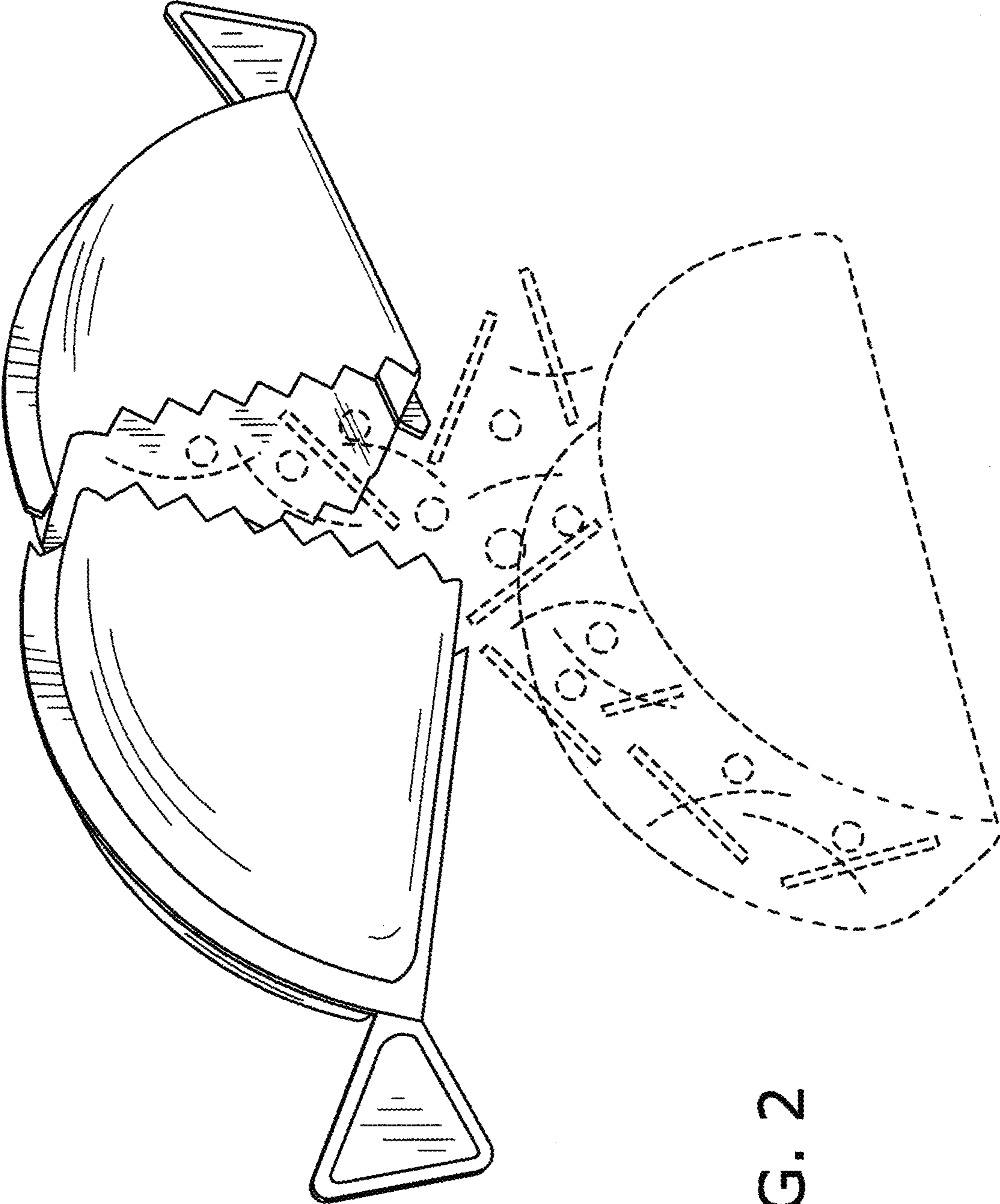


FIG. 2

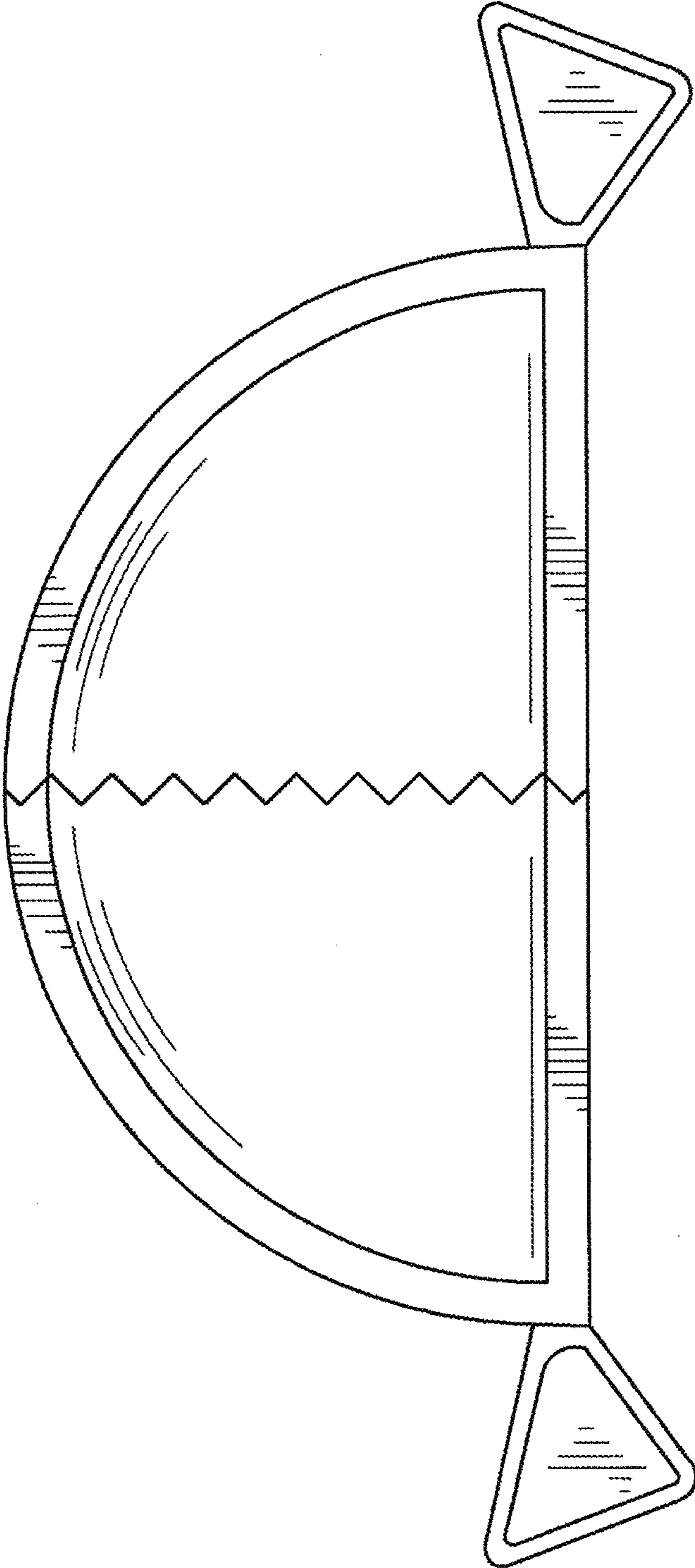


FIG. 3

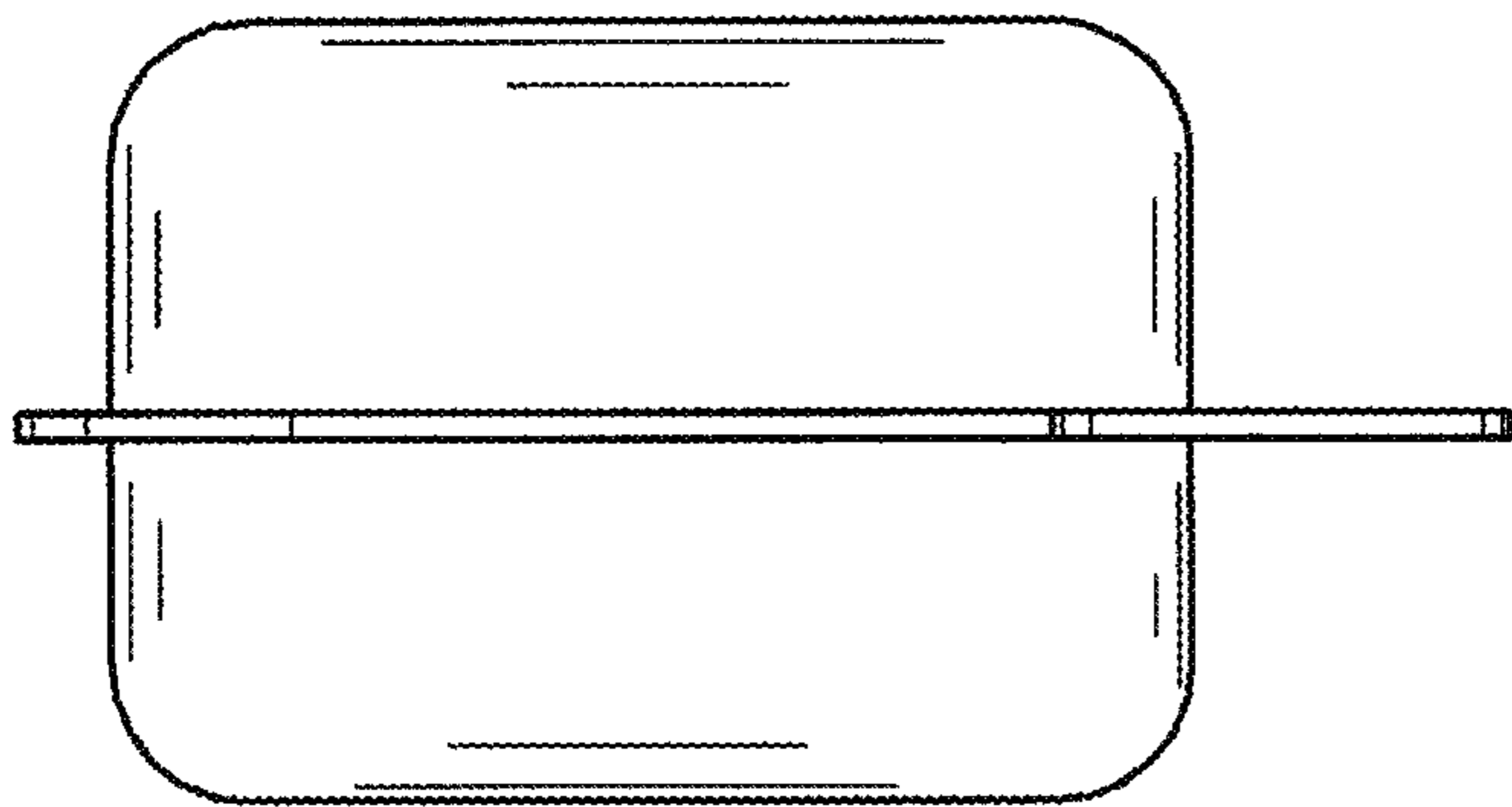


FIG. 4

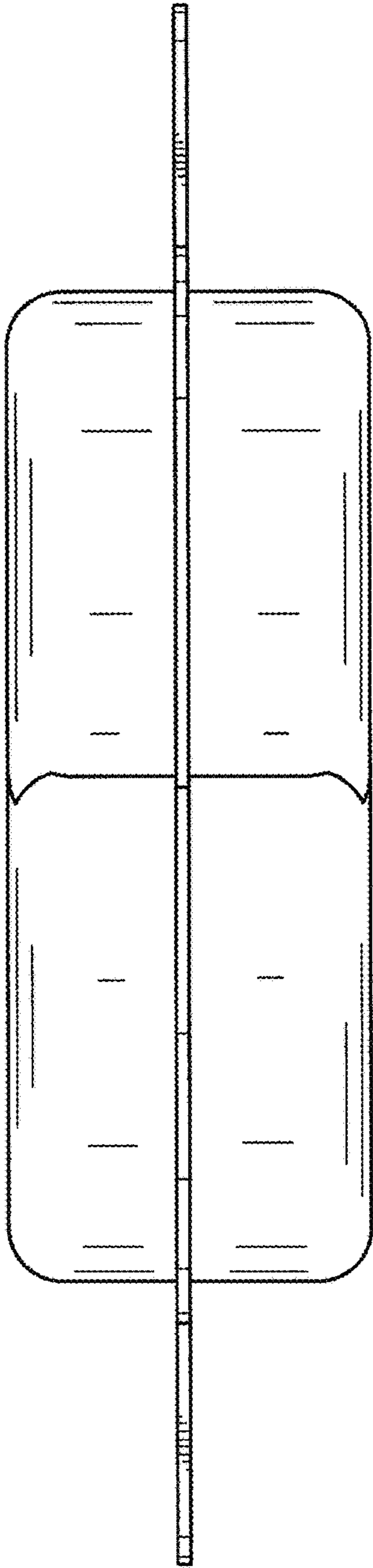


FIG. 5

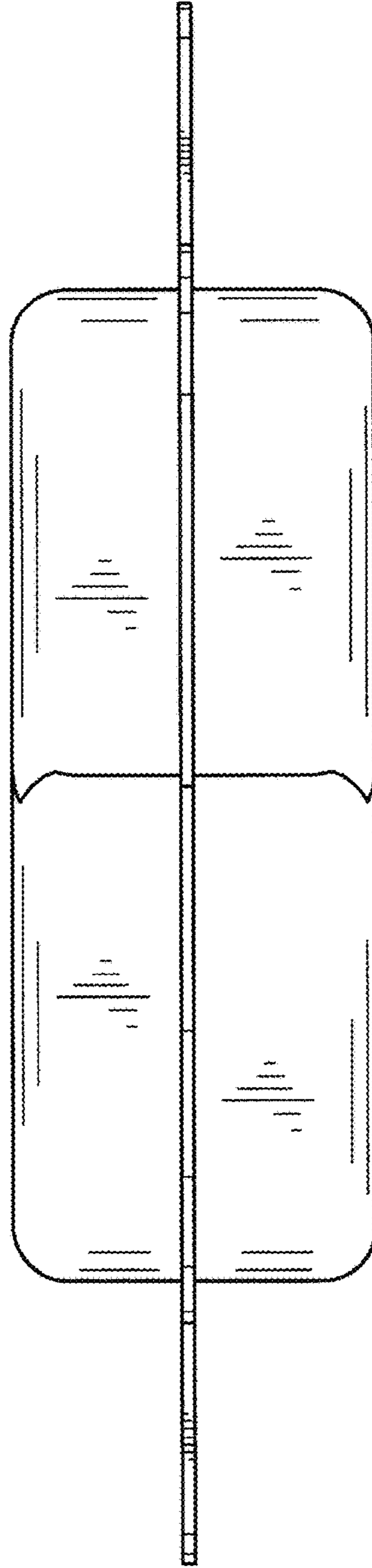


FIG. 6