



US00D857516S

(12) **United States Design Patent**
Lutens

(10) **Patent No.:** **US D857,516 S**

(45) **Date of Patent:** **** Aug. 27, 2019**

(54) **BOTTLE**

(71) Applicant: **SHISEIDO COMPANY, LIMITED**,
Tokyo (JP)

(72) Inventor: **Serge Lutens**, Paris (FR)

(**) Term: **15 Years**

(21) Appl. No.: **35/505,067**

(22) Filed: **Apr. 12, 2018**

(80) **Hague Agreement Data**

Int. Filing Date: **Apr. 12, 2018**

Int. Reg. No.: **DM/101356**

Int. Reg. Date: **Apr. 12, 2018**

Int. Reg. Pub. Date: **Jun. 8, 2018**

(30) **Foreign Application Priority Data**

Oct. 13, 2017 (EM) 004400570-0001

(51) **LOC (12) Cl.** **09-01**

(52) **U.S. Cl.**
USPC **D9/682**

(58) **Field of Classification Search**

USPC D9/544, 568, 682, 686, 694

CPC A45D 34/00; A45D 2200/057

See application file for complete search history.

(56) **References Cited**

U.S. PATENT DOCUMENTS

D680,004 S *	4/2013	Lecetre	D9/544
D718,639 S *	12/2014	Guichot	D9/544
D761,114 S *	7/2016	Ericson	D9/544
D843,219 S *	3/2019	Faillant Dumas	D9/544

* cited by examiner

Primary Examiner — Michael A. Pratt

(57) **CLAIM**

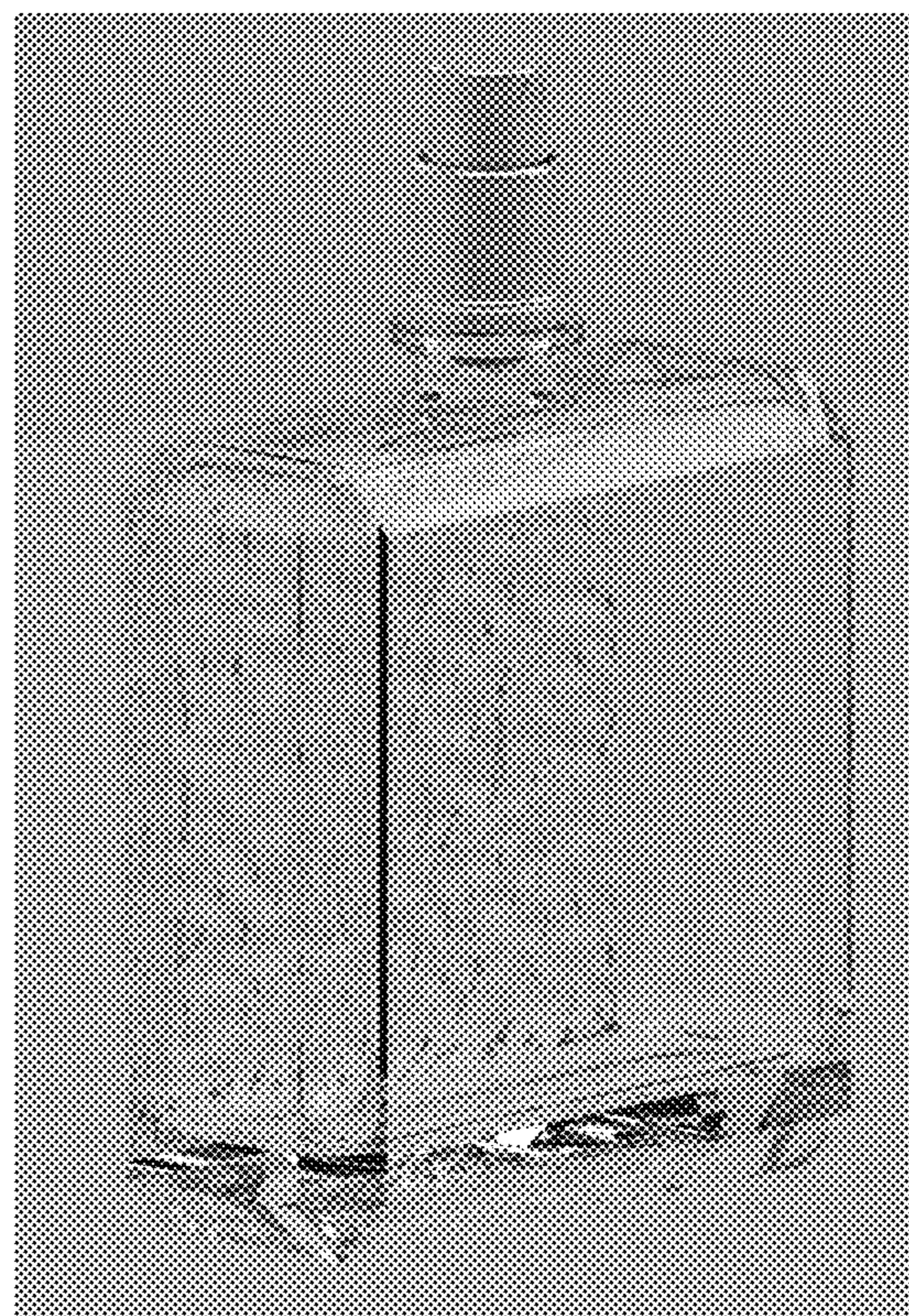
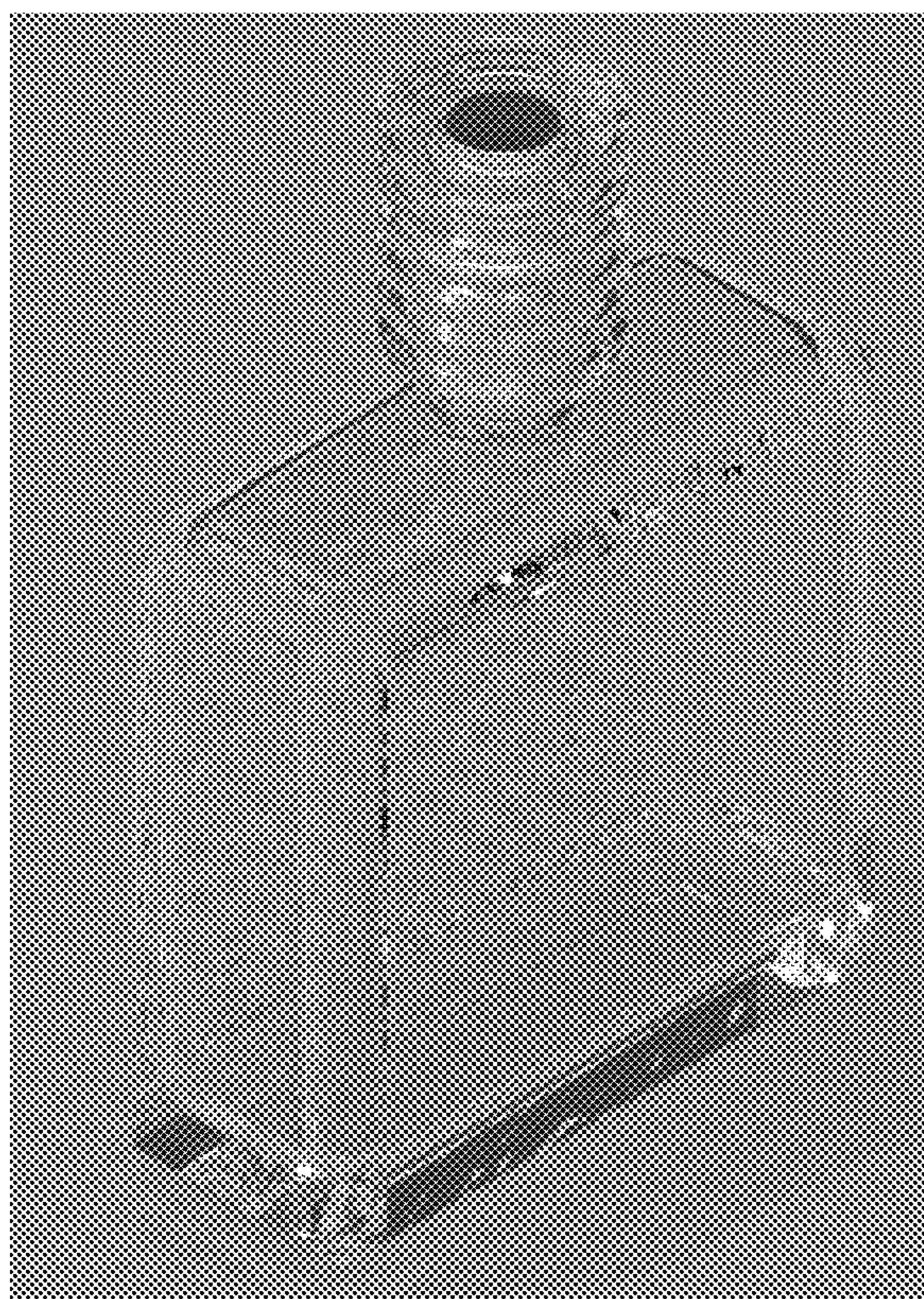
The ornamental design for a bottle, as shown and described.

DESCRIPTION

- 1. Bottle
- 1.1 : Perspective
- 1.2 : Front
- 1.3 : Back
- 1.4 : Left
- 1.5 : Perspective
- 1.6 : Top
- 1.7 : Bottom

Figure 1.1 is a perspective view of the bottle, figure 1.2 is a front view of the bottle, figure 1.3 is a back view of the bottle, figure 1.4 is a left side view of the bottle, figure 1.5 is a perspective view of the bottle without cap, figure 1.6 is a top view of the bottle, figure 1.7 is a bottom view of the bottle.

1 Claim, 7 Drawing Sheets



1.1



1.2



1.3



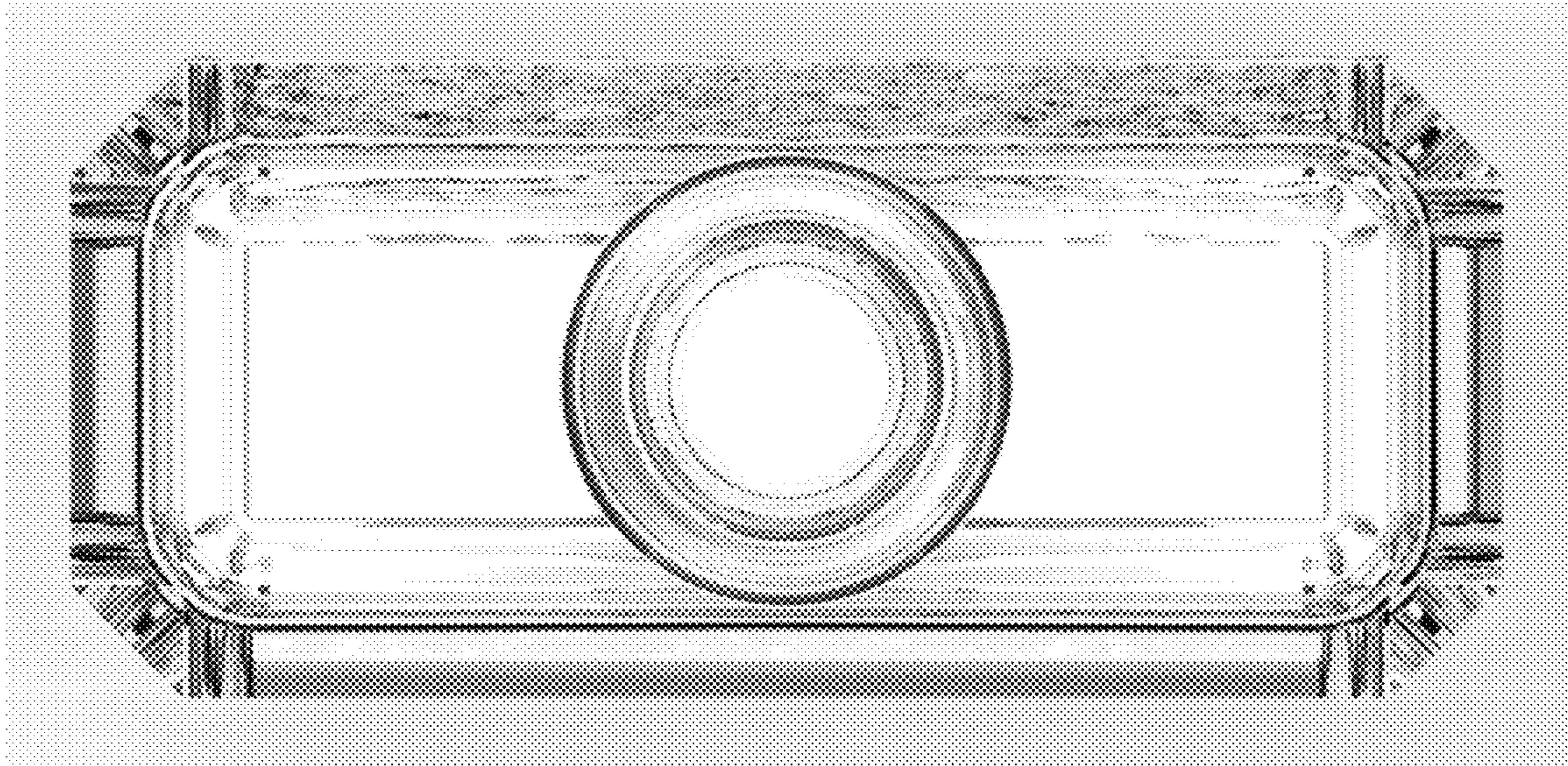
1.4



1.5



1.6



1.7

