



US00D857512S

(12) **United States Design Patent** (10) **Patent No.:** **US D857,512 S**  
**Vellas** (45) **Date of Patent:** **\*\* Aug. 27, 2019**

(54) **WINE BOTTLE**

(56) **References Cited**

(71) Applicant: **TEYRAN AGRI-SERVICES**, Teyran (FR)

U.S. PATENT DOCUMENTS

(72) Inventor: **Nicolas Vellas**, Teyran (FR)

D395,828 S *	7/1998	Lecoule .....	D9/522
D476,902 S *	7/2003	Snyder .....	D9/561
D483,678 S *	12/2003	Vicari .....	D9/573
D484,419 S *	12/2003	Potocki .....	D9/567
D500,448 S *	1/2005	Krunas .....	D9/544
D506,391 S *	6/2005	Busch .....	D9/522
D538,675 S *	3/2007	Dalton .....	D9/544
D544,361 S *	6/2007	Cordes .....	D9/544
D553,000 S *	10/2007	Barbagli .....	D9/571
D555,483 S *	11/2007	Bezuglov .....	D9/452
D582,773 S	12/2008	Klemm et al.	
D582,774 S	12/2008	Klemm et al.	
D586,659 S *	2/2009	Delbon .....	D9/544
D601,428 S *	10/2009	Rica .....	D9/544
D612,242 S *	3/2010	Rica .....	D9/516
D612,739 S *	3/2010	Delbon .....	D9/544
D626,842 S *	11/2010	Rica .....	D9/516
D643,298 S *	8/2011	Gillespie .....	D9/526
D682,704 S *	5/2013	Reynolds .....	D9/544
D682,705 S *	5/2013	Reynolds .....	D9/544
D687,308 S *	8/2013	Lauret .....	D9/544
D688,132 S *	8/2013	Reynolds .....	D9/542
D693,692 S *	11/2013	Grossfield .....	D9/544

(73) Assignee: **TEYRAN AGRI-SERVICES**, Teyran (FR)

(\*\*) Term: **15 Years**

(21) Appl. No.: **35/500,858**

(22) Filed: **Dec. 18, 2015**

(80) **Hague Agreement Data**

Int. Filing Date: **Dec. 18, 2015**  
Int. Reg. No.: **DM/090172**  
Int. Reg. Date: **Dec. 18, 2015**  
Int. Reg. Pub. Date: **Apr. 22, 2016**

(30) **Foreign Application Priority Data**

Jun. 18, 2015 (EM) ..... 002721944-0001

(51) **LOC (12) Cl.** ..... **09-01**

(52) **U.S. Cl.**  
USPC ..... **D9/544**

(58) **Field of Classification Search**  
USPC ..... D9/434-435, 454, 516, 520, 544,  
D9/559-560, 572, 575, 600, 655,  
D9/658-659, 693, 715, 719, 500, 502,  
D9/530, 537, 539-540, 549, 550, 557,  
D9/558, 562; D7/300, 300.1, 598  
CPC ..... B65D 1/00; B65D 1/02; B65D 1/0223;  
B65D 23/00; B65D 81/00; B65D 83/00;  
B65D 2501/00; B65D 2501/0009; B65D  
2501/0081; B65D 1/0261; B65D 1/40;  
B65D 1/42; B65D 23/102; B65D  
2501/0036

See application file for complete search history.

(Continued)

*Primary Examiner* — Melanie H Tung  
*Assistant Examiner* — Bao-Yao Nguyen  
(74) *Attorney, Agent, or Firm* — Craft Chu PLLC;  
Andrew W. Chu

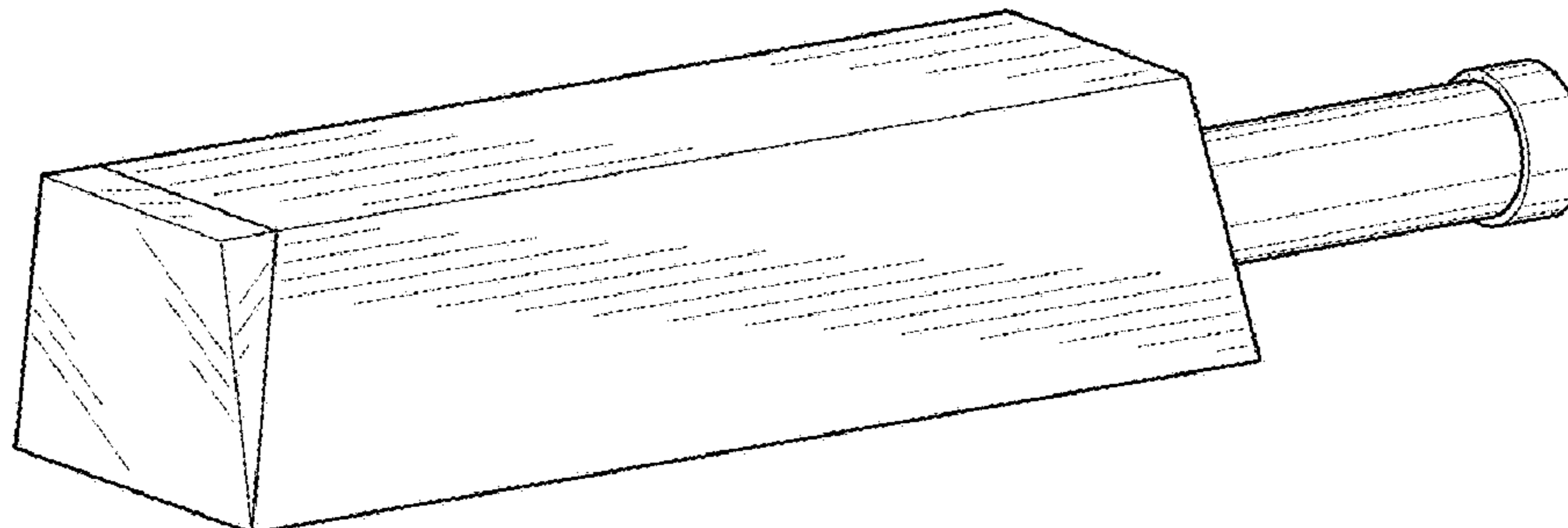
(57) **CLAIM**

The ornamental design for a wine bottle, as shown and described.

**DESCRIPTION**

- 1.1 is a perspective view.
- 1.2 is a back view.
- 1.3 is a front view.
- 1.4 is a top view.
- 1.5 is a bottom view.

**1 Claim, 2 Drawing Sheets**



(56)

**References Cited**

U.S. PATENT DOCUMENTS

D697,416 S *	1/2014	Thompson .....	D9/544
D697,804 S	1/2014	Hanson et al.	
D698,257 S *	1/2014	Gonzalez Rodriguez .....	D9/574
D719,030 S *	12/2014	Perez-Cabrera .....	D9/560
D720,186 S	12/2014	Lane et al.	
D721,591 S *	1/2015	Hefetz .....	D9/523
D724,952 S *	3/2015	Humm .....	D9/454
D729,064 S *	5/2015	Synder .....	D9/516
D741,189 S *	10/2015	Gaydon .....	D9/544
D741,716 S *	10/2015	Konieczny .....	D9/543
D741,720 S *	10/2015	Anandani .....	D9/560
D746,694 S *	1/2016	Letamendi .....	D9/544
D749,424 S *	2/2016	Carroll .....	D9/544
D750,498 S *	3/2016	Sezanayev .....	D9/445
D754,545 S *	4/2016	Sezanayev .....	D9/445
D757,559 S *	5/2016	Sanghavi .....	D9/559
D764,921 S *	8/2016	Gaydon .....	D9/544
D770,292 S *	11/2016	Mullholand .....	D9/544

\* cited by examiner

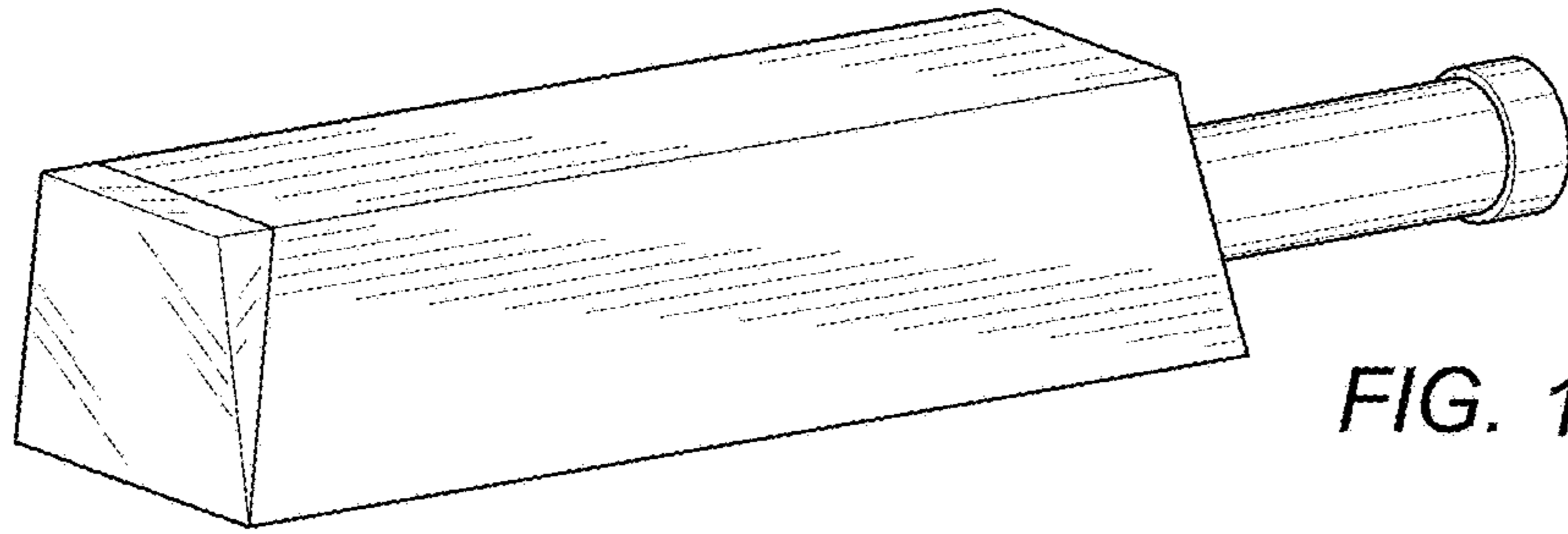


FIG. 1.1

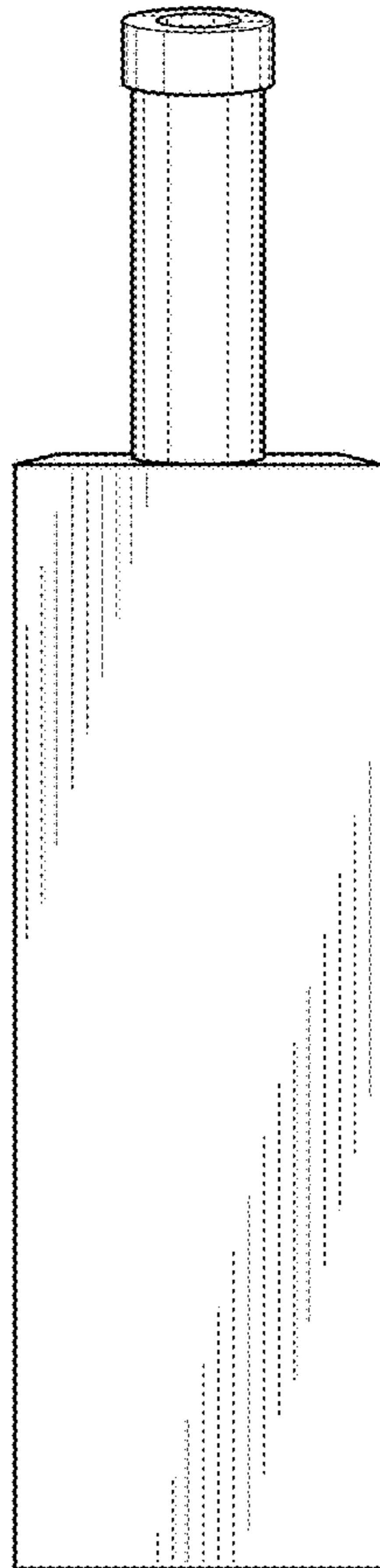


FIG. 1.2

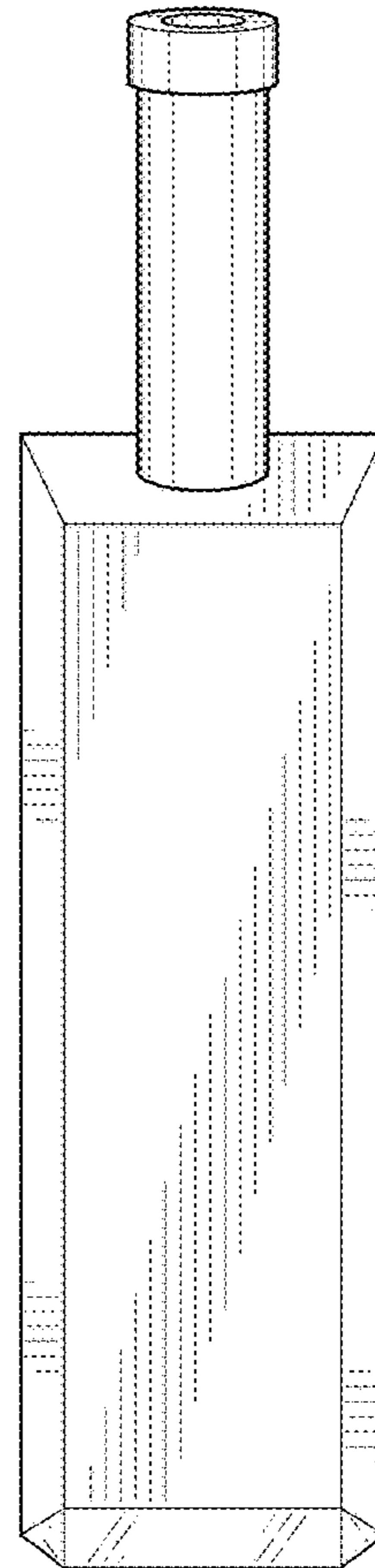
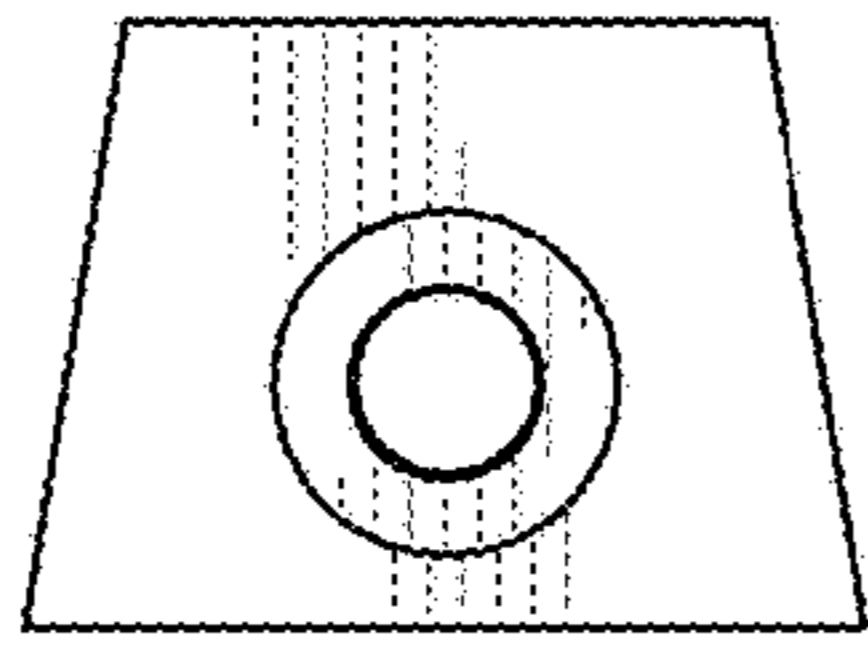
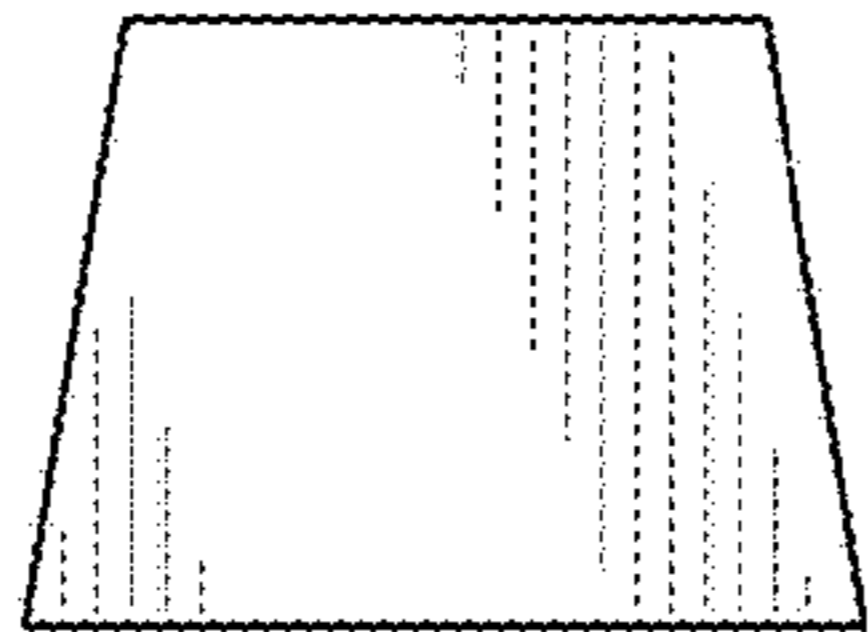


FIG. 1.3



*FIG. 1.4*



*FIG. 1.5*