



US00D857510S

(12) **United States Design Patent** (10) **Patent No.:** **US D857,510 S**
Maquita Nakano et al. (45) **Date of Patent:** **** Aug. 27, 2019**

- (54) **BOTTLE**
- (71) Applicant: **PepsiCo, Inc.**, Purchase, NY (US)
- (72) Inventors: **Jorge Manuel Maquita Nakano**, Distrito Federal (MX); **Lori Evans Bartman**, Sylvania, OH (US)
- (73) Assignee: **PepsiCo, Inc.**, Purchase, NY (US)
- (**) Term: **15 Years**
- (21) Appl. No.: **29/675,572**
- (22) Filed: **Jan. 3, 2019**

- D269,500 S 6/1983 Bit
- D294,117 S 2/1988 Rogler et al.
- D294,463 S 3/1988 Lang
- D294,678 S 3/1988 Papa
- D295,381 S 4/1988 Papa
- D300,805 S 4/1989 Rogler et al.
- 4,818,575 A 4/1989 Hirata

(Continued)

FOREIGN PATENT DOCUMENTS

- AU 336139 4/2011
- CA 158863 4/2015

(Continued)

OTHER PUBLICATIONS

Ambrosi, Carlos Eduardo, "Gatorade Bottle," Apr. 17, 2012, GrabCAD Community blog, site visited Nov. 22, 2016. <<https://gmbcad.com/library/gatorade-bottle>>.

Primary Examiner — Dana Meyrow

(74) *Attorney, Agent, or Firm* — Sterne, Kessler, Goldstein & Fox P.L.L.C.

Related U.S. Application Data

- (63) Continuation of application No. 29/595,046, filed on Feb. 24, 2017, now Pat. No. Des. 840,234, which is a continuation of application No. 29/537,876, filed on Aug. 28, 2015, now Pat. No. Des. 782,910.
- (51) **LOC (12) Cl.** **09-01**
- (52) **U.S. Cl.**
USPC **D9/539**; D9/557; D9/571
- (58) **Field of Classification Search**
USPC D9/516, 530, 537, 539–540, 549, 558, D9/571–575, 715, 719
CPC B65D 1/00; B65D 1/02; B65D 1/0223; B65D 23/00; B65D 23/102; B65D 2501/00; B65D 2501/0009
See application file for complete search history.

(57) **CLAIM**

The ornamental design for a bottle, as shown and described.

DESCRIPTION

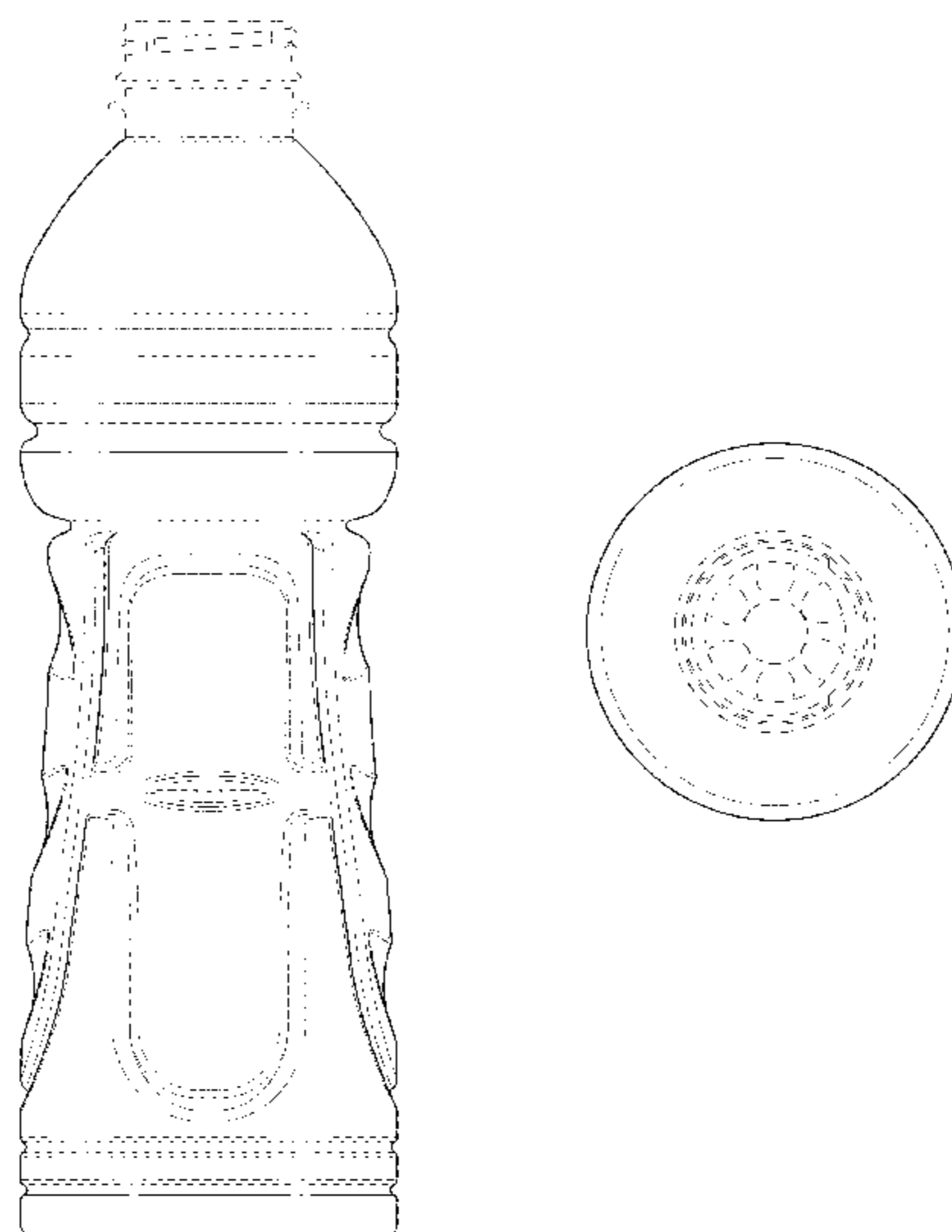
FIG. 1 is a top perspective view of a bottle showing the claimed design;
FIG. 2 is a bottom perspective view thereof;
FIG. 3 is a front view thereof;
FIG. 4 is a rear view thereof;
FIG. 5 is a right side view thereof;
FIG. 6 is a left side view thereof;
FIG. 7 is a top view thereof; and,
FIG. 8 is a bottom view thereof.
The broken lines in the figures show portions of the bottle that form no part of the claimed design.

1 Claim, 7 Drawing Sheets

(56) **References Cited**

U.S. PATENT DOCUMENTS

- D46,285 S 8/1914 Mackenzie
- D64,152 S 3/1924 Sweeney
- D154,563 S 7/1949 Peters
- D214,158 S 5/1969 Pettengill
- D218,019 S 7/1970 Lattraye et al.
- D235,736 S 7/1975 Strand et al.
- D240,593 S 7/1976 Koenigsberg



(56)

References Cited

U.S. PATENT DOCUMENTS

4,863,046 A 9/1989 Collette et al.
 4,877,141 A 10/1989 Hayashi et al.
 D306,262 S 2/1990 Bit
 4,907,709 A 3/1990 Abe et al.
 D308,482 S 6/1990 Wild
 D313,747 S 1/1991 Martin
 D313,930 S 1/1991 Martin
 4,993,565 A 2/1991 Ota et al.
 5,002,199 A 3/1991 Frahm
 5,005,716 A 4/1991 Eberle
 5,024,341 A 6/1991 Dekerle
 D320,154 S 9/1991 Alberghini et al.
 5,064,081 A 11/1991 Hayashi et al.
 5,141,120 A 8/1992 Brown et al.
 5,141,121 A 8/1992 Brown et al.
 5,178,289 A 1/1993 Krishnakumar et al.
 5,178,290 A 1/1993 Ota et al.
 D334,342 S 3/1993 Thompson
 D335,084 S 4/1993 Snyder
 D344,457 S 2/1994 Prevot et al.
 5,303,833 A 4/1994 Hayashi et al.
 5,310,068 A 5/1994 Saghri
 D352,245 S 11/1994 Krishnakumar et al.
 5,385,250 A 1/1995 Pasquale
 5,472,105 A 12/1995 Krishnakumar et al.
 D370,178 S 5/1996 Petre et al.
 5,579,937 A 12/1996 Valyi
 D379,224 S 5/1997 McCallister et al.
 D379,306 S 5/1997 Peykoff
 5,632,397 A 5/1997 Fandoux et al.
 5,635,229 A 6/1997 Ray
 D382,485 S 8/1997 Krishnakumar et al.
 D382,807 S 8/1997 Silvers et al.
 5,704,503 A 1/1998 Krishnakumar et al.
 5,746,339 A 5/1998 Petre et al.
 D394,812 S 6/1998 Crawford
 5,758,790 A 6/1998 Ewing, Jr.
 D396,413 S 7/1998 Duboff
 D396,640 S 8/1998 Conrad et al.
 D397,297 S 8/1998 Yang
 D397,616 S 9/1998 Chen

D397,941 S 9/1998 Lauth
 D398,479 S 9/1998 Vultaggio et al.
 5,836,469 A 11/1998 Zebrowski
 D401,860 S 12/1998 Granelli
 5,971,184 A 10/1999 Krishnakumar
 D426,460 S 6/2000 Krishnakumar et al.
 D439,167 S 3/2001 Lichtman
 D442,492 S 5/2001 Krishnakumar et al.
 D447,956 S 9/2001 Bretz et al.
 D450,581 S 11/2001 Lichtman et al.
 D457,065 S 5/2002 Krishnakumar et al.
 D488,723 S 4/2004 Evans et al.
 D504,617 S 5/2005 Pedmo et al.
 D522,870 S 6/2006 Venkataraman et al.
 D525,138 S 7/2006 Shmagin et al.
 D530,619 S * 10/2006 Stockwell D9/551
 D533,785 S 12/2006 Corbett et al.
 D535,885 S * 1/2007 Davis D9/538
 D547,664 S 7/2007 Davis et al.
 D568,751 S * 5/2008 Boon D9/539
 D572,135 S 7/2008 Lepoitevin
 D572,599 S * 7/2008 Melrose D9/539
 D575,158 S * 8/2008 Boon D9/516
 D626,848 S 11/2010 Chewning et al.
 D630,099 S 1/2011 McMillan et al.
 D630,105 S 1/2011 Bourne
 D661,196 S * 6/2012 Heisner D9/538
 D705,071 S 5/2014 Abend et al.
 D712,270 S 9/2014 Maquita Nakano et al.
 D737,145 S 8/2015 Boon et al.
 D740,675 S 10/2015 Saliaris
 D743,262 S 11/2015 Pedmo et al.
 D770,288 S * 11/2016 Verdura D9/516
 D770,289 S 11/2016 Evans et al.
 D773,310 S 12/2016 Zeng et al.
 D782,910 S 4/2017 Maquita Nakano et al.
 D840,234 S * 2/2019 Maquita Nakano D9/516
 2010/0006580 A1 1/2010 Boukobza

FOREIGN PATENT DOCUMENTS

CA 161981 5/2016
 WO WO D080246-0001 2/2013

* cited by examiner

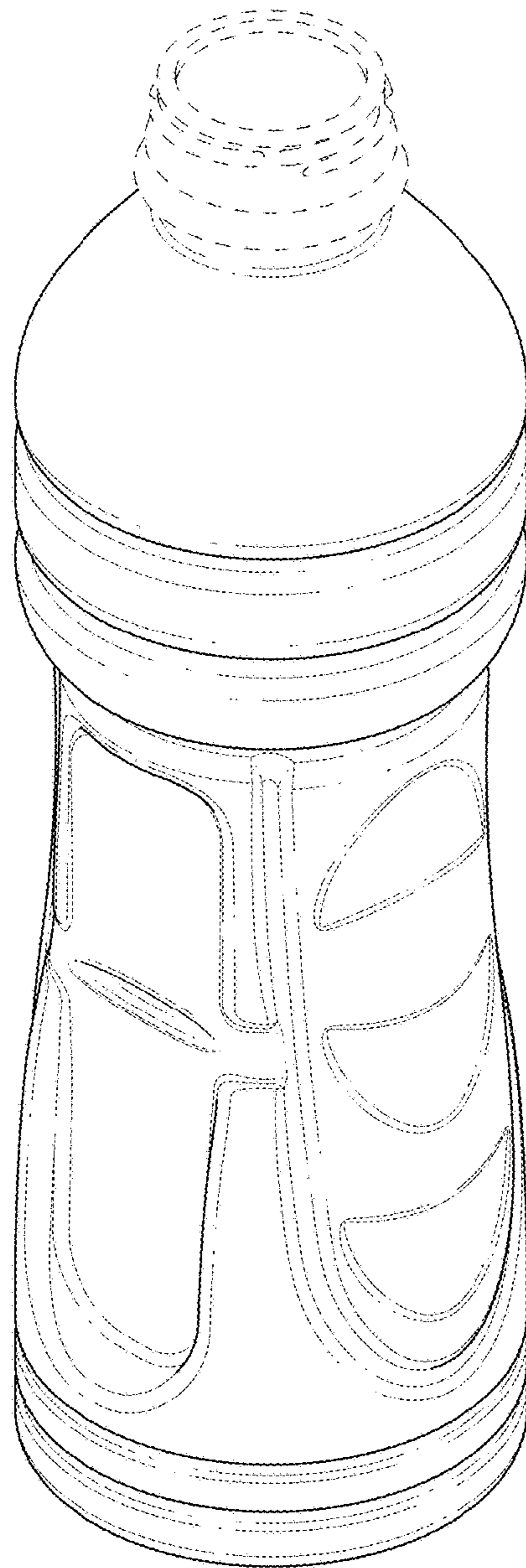


FIG. 1

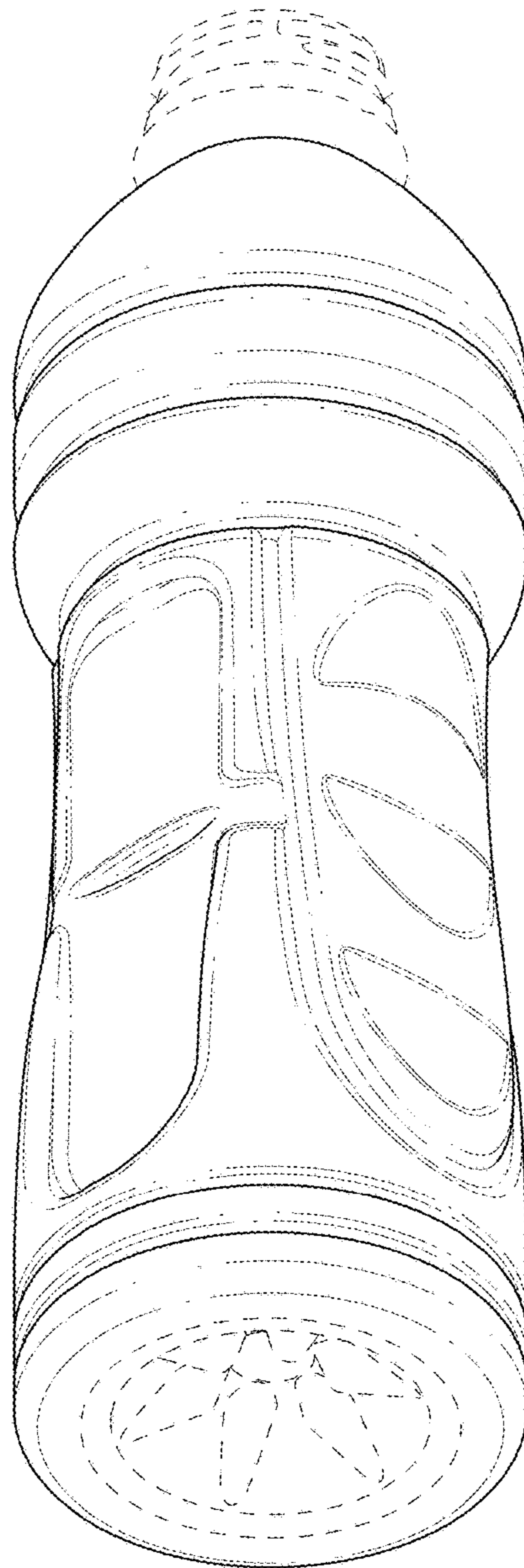


FIG. 2

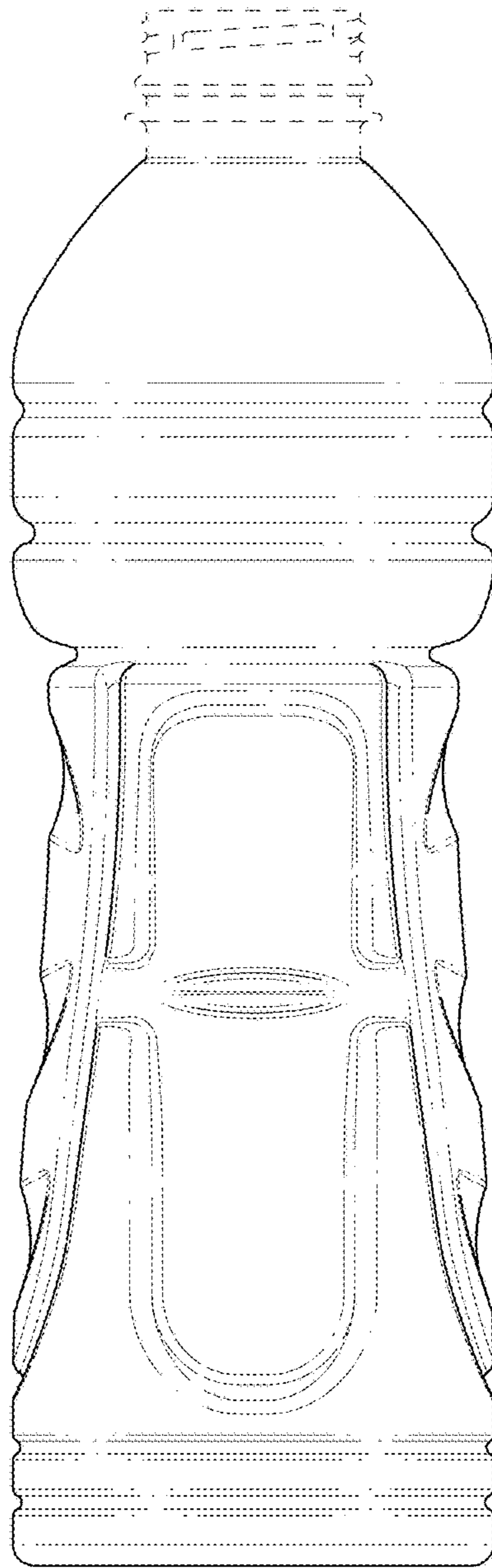


FIG. 3

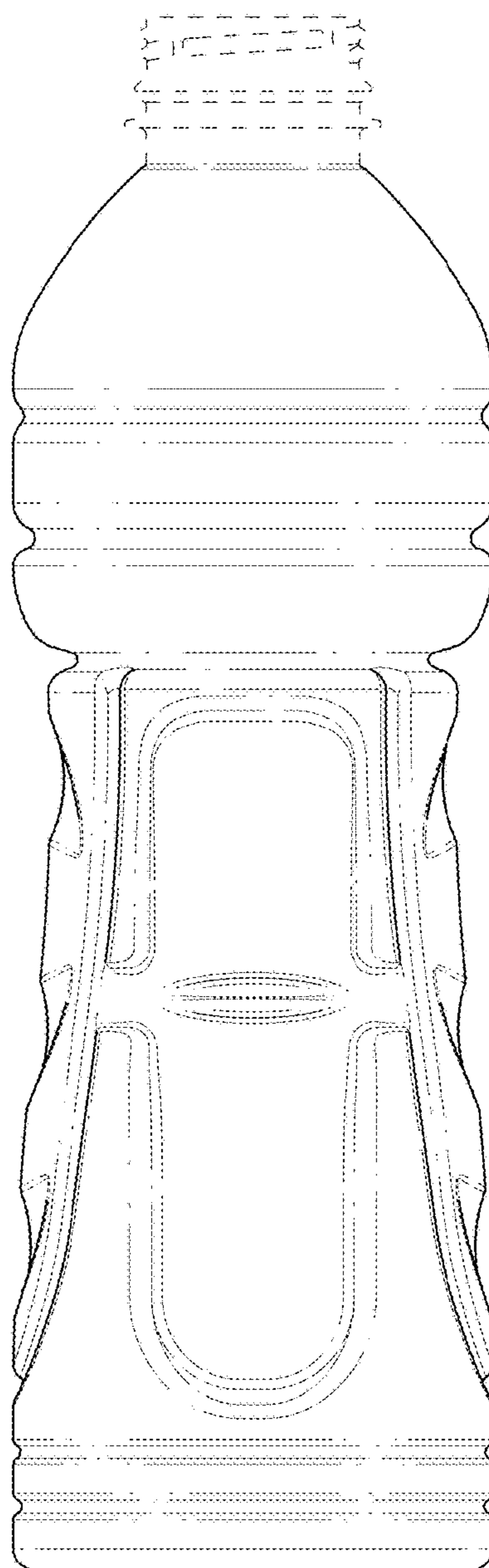


FIG. 4

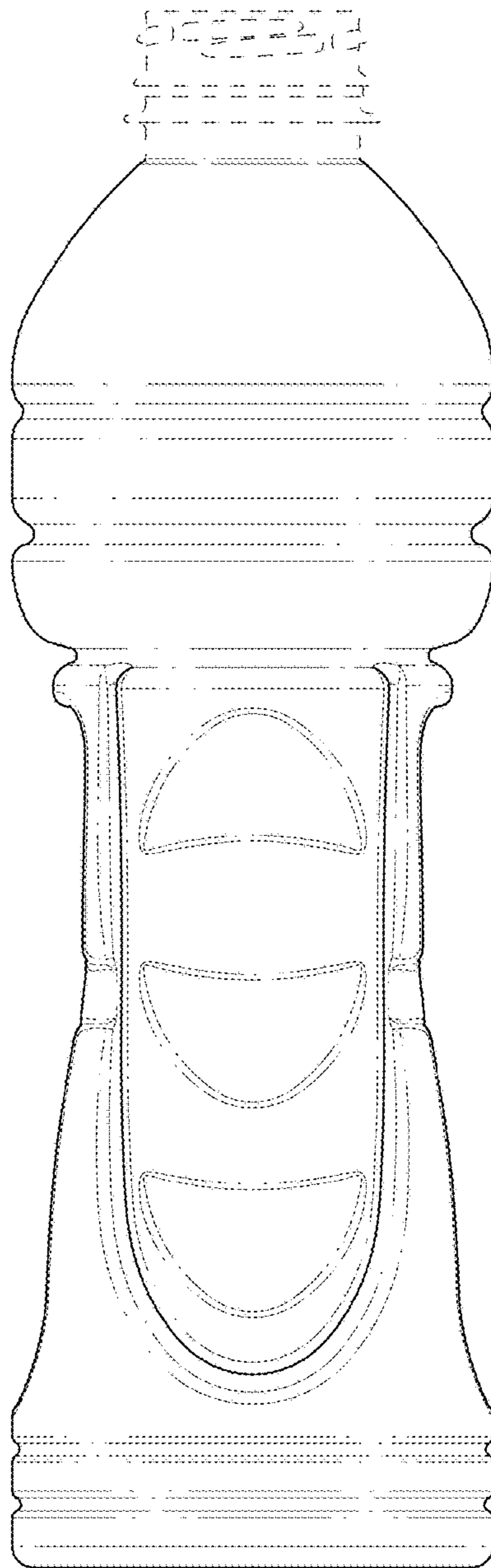


FIG. 5

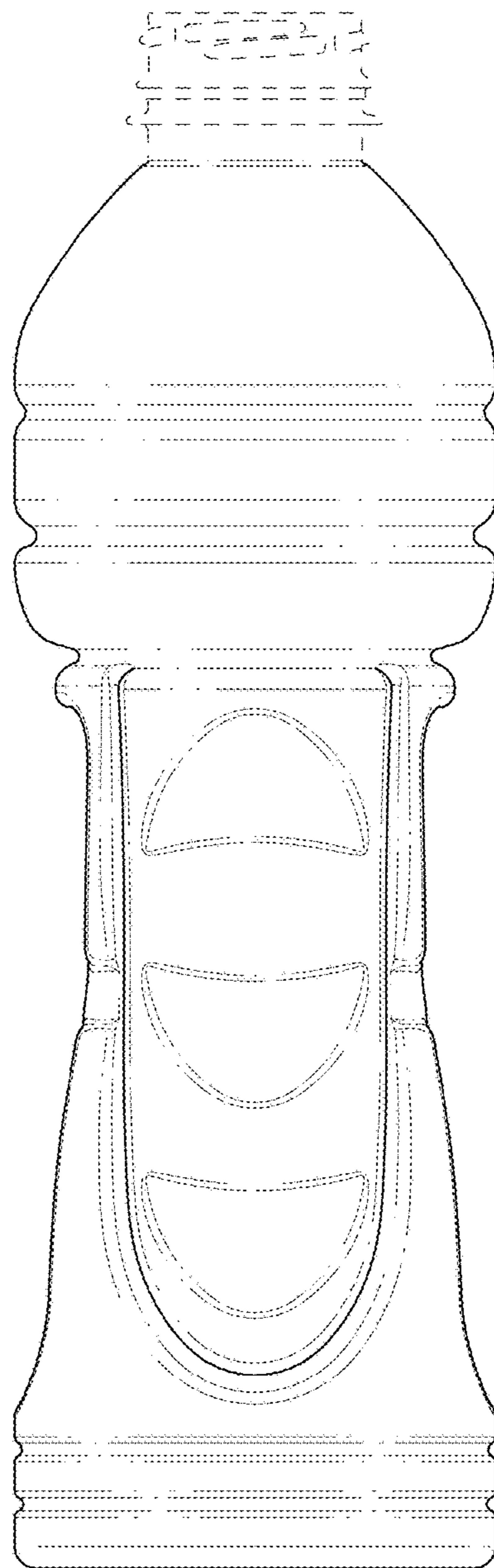


FIG. 6

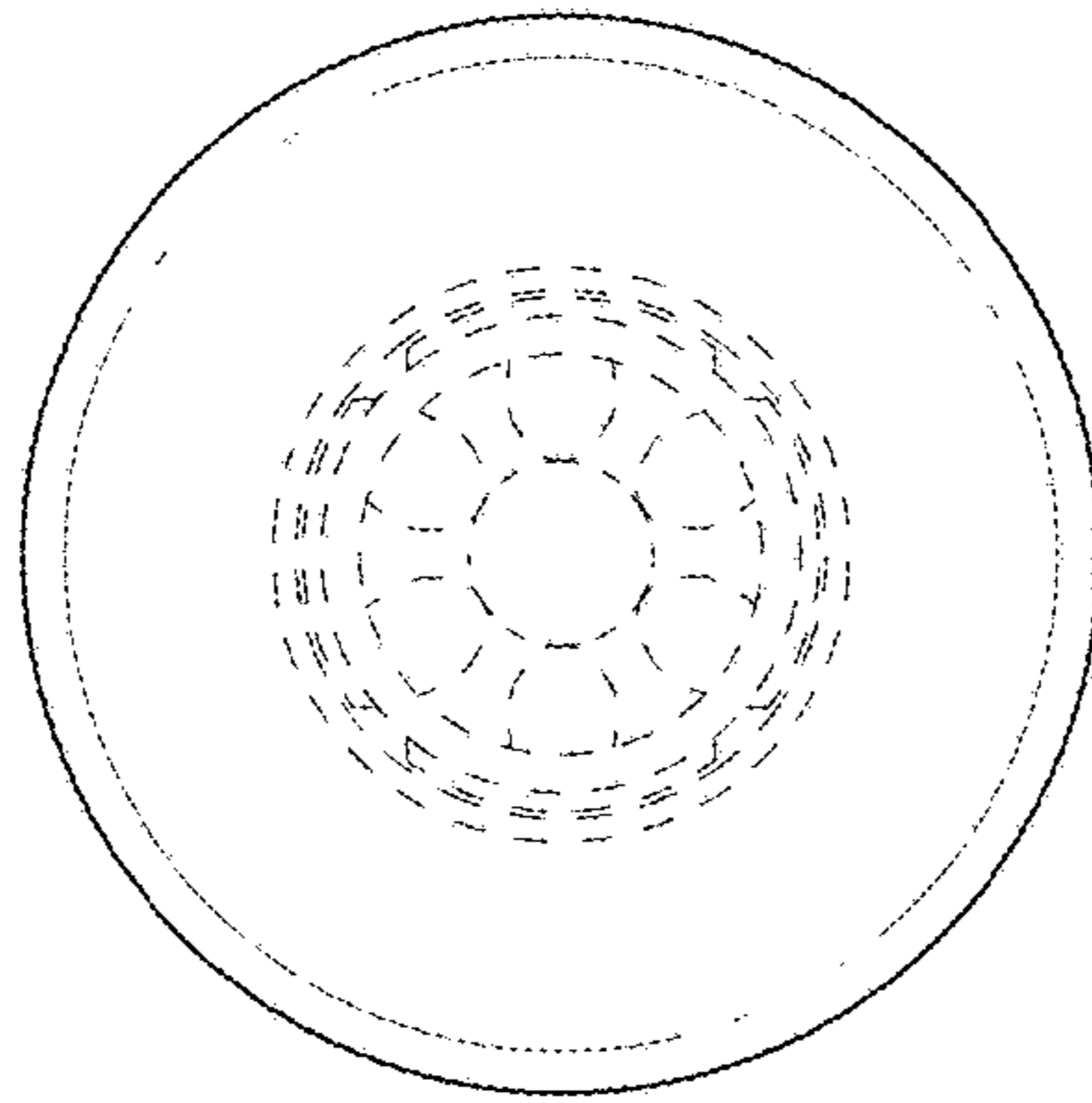


FIG. 7

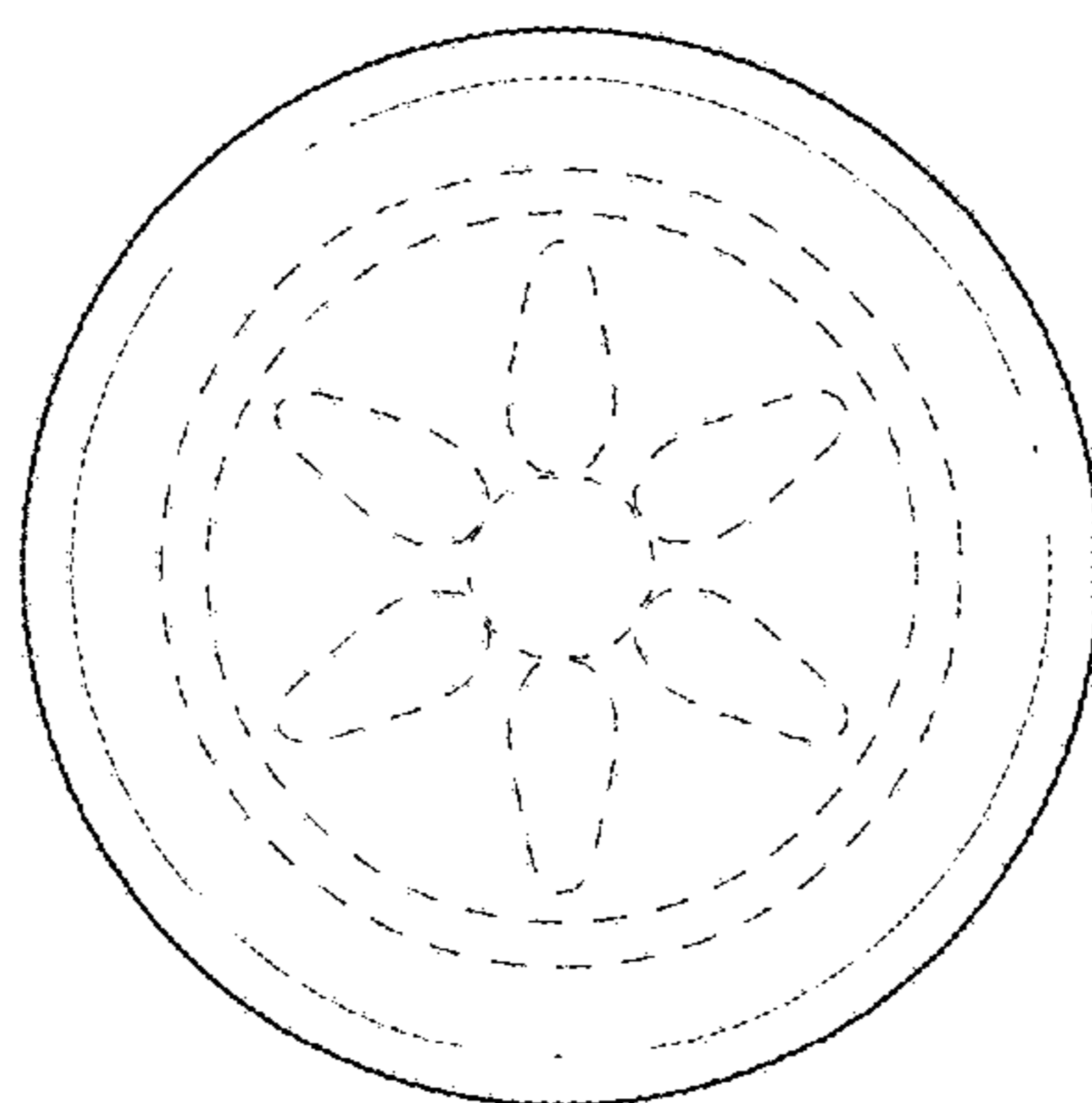


FIG. 8