



US00D857509S

(12) **United States Design Patent** (10) **Patent No.:** **US D857,509 S**
Staab et al. (45) **Date of Patent:** **** Aug. 27, 2019**

(54) **BOTTLE**
(71) Applicant: **Mary Kay Inc.**, Addison, TX (US)
(72) Inventors: **Jenny DeMarco Staab**, Addison, TX (US); **Tammy Schriewer**, Addison, TX (US)
(73) Assignee: **Mary Kay Inc.**, Addison, TX (US)
(**) Term: **15 Years**
(21) Appl. No.: **29/675,593**
(22) Filed: **Jan. 3, 2019**

D86,841 S 4/1932 Joseph
1,950,293 A * 3/1934 Carvalho B65D 51/32
132/74.5
D94,009 S * 12/1934 Westlake D9/546
D94,010 S * 12/1934 Westlake D9/544
D153,589 S * 5/1949 Duberstein D7/598
2,681,463 A * 6/1954 Gordon B65D 51/32
401/128
D207,511 S 4/1967 Riordan et al.
D208,733 S 9/1967 Straka
D213,543 S 3/1969 Livingston
D220,870 S 6/1971 Muscatiello
D221,835 S 9/1971 Higgs
D223,602 S 5/1972 Hoffman
D236,586 S 9/1975 McDonald
D236,802 S 9/1975 McDonald
(Continued)

Related U.S. Application Data

(60) Continuation of application No. 29/655,903, filed on Jul. 9, 2018, now Pat. No. Des. 842,115, which is a division of application No. 29/605,730, filed on May 30, 2017, now Pat. No. Des. 825,341.
(51) **LOC (12) Cl.** **09-01**
(52) **U.S. Cl.**
USPC **D9/529**; D9/436; D9/574; D9/723; D9/900

(58) **Field of Classification Search**
USPC D4/116; D28/7; D9/434-435, 444-445, D9/516, 520, 529, 573-574, 682, D9/686-687, 694, 715, 719, 436, 451, D9/723-724, 727, 900
CPC B65D 1/00; B65D 1/02; B65D 1/0223; B65D 23/00; B65D 81/00; B65D 2501/00; B65D 2501/0009; B65D 2501/0081; B65D 51/24; B65D 51/32
See application file for complete search history.

(56) **References Cited**

U.S. PATENT DOCUMENTS

D44,881 S 11/1913 Alexander et al.
1,668,088 A * 5/1928 Russell B65D 51/32
215/228

FOREIGN PATENT DOCUMENTS

CN 303463788 11/2015
CN 30 3488921 12/2015
(Continued)

Primary Examiner — Dana Meyrow
(74) *Attorney, Agent, or Firm* — Norton Rose Fulbright US LLP

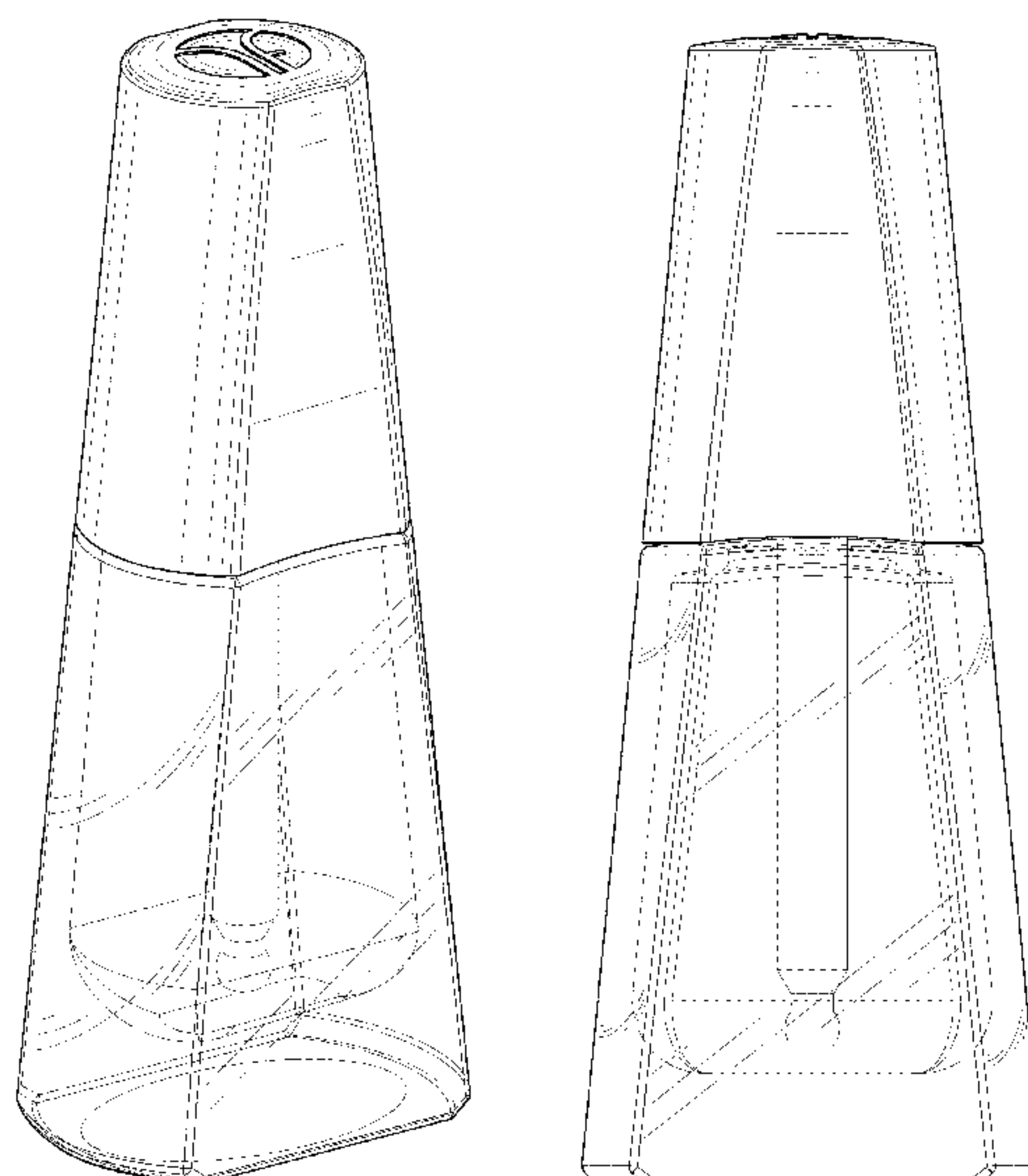
(57) **CLAIM**

The ornamental design for a bottle, as shown and described.

DESCRIPTION

FIG. 1 is a top perspective view of a bottle;
FIG. 2 is a front view of the bottle shown in FIG. 1;
FIG. 3 is a back view of the bottle shown in FIG. 1;
FIG. 4 is a right side view of the bottle shown in FIG. 1;
FIG. 5 is a left side view of the bottle shown in FIG. 1; and,
FIG. 6 is a top view of the bottle shown in FIGS. 1.

1 Claim, 6 Drawing Sheets



(56)

References Cited

U.S. PATENT DOCUMENTS

D252,739 S 8/1979 Grodin
 D253,221 S 10/1979 Flower et al.
 D279,454 S 7/1985 Fleming
 D294,804 S 3/1988 Lunderman et al.
 D302,385 S 7/1989 Weiler
 D305,617 S 1/1990 Hayman et al.
 D306,693 S 3/1990 Beier-Rosetti
 D315,296 S 3/1991 De Giovellina
 D317,406 S 6/1991 Desgrippes
 D330,218 S 10/1992 Kimura
 D337,523 S 7/1993 Dadds et al.
 D412,851 S 8/1999 Nosella
 D413,796 S 9/1999 Mansau
 D428,578 S 7/2000 Waitzenegger
 D430,804 S 9/2000 Buisink
 D497,314 S 10/2004 Dea
 D541,164 S 4/2007 Yamasaki et al.
 D542,665 S 5/2007 Poe
 D567,664 S 4/2008 Rica
 D578,395 S 10/2008 Kuzma et al.
 D582,777 S 12/2008 Mansau
 D584,953 S 1/2009 Rica
 D590,269 S * 4/2009 Pavone D28/7
 D621,268 S 8/2010 Morabito
 D623,066 S 9/2010 Mongeon et al.

D626,003 S 10/2010 Pless
 D628,490 S 12/2010 Sato et al.
 D631,751 S 2/2011 Fox et al.
 D669,360 S 10/2012 Kuzma et al.
 D721,967 S 2/2015 DeMarco
 D727,741 S 4/2015 Handy
 D739,739 S 9/2015 DeMarco et al.
 D739,741 S 9/2015 Staab
 D740,121 S 10/2015 Wagner et al.
 D749,957 S 2/2016 Ishida et al.
 D755,057 S 5/2016 Mutter
 D759,258 S * 6/2016 Staab D24/211
 D779,117 S * 2/2017 Staab D28/7
 D795,074 S 8/2017 Staab
 D795,075 S 8/2017 Staab et al.
 D798,159 S 9/2017 Shaw
 D825,341 S 8/2018 Staab et al.
 D842,115 S * 3/2019 Staab D9/529
 2013/0192713 A1 * 8/2013 Dugeon A45D 34/04
 141/26

FOREIGN PATENT DOCUMENTS

CN 303375993 12/2015
 KR 3020020011391 9/2002
 KR 3020050032100 12/2006

* cited by examiner

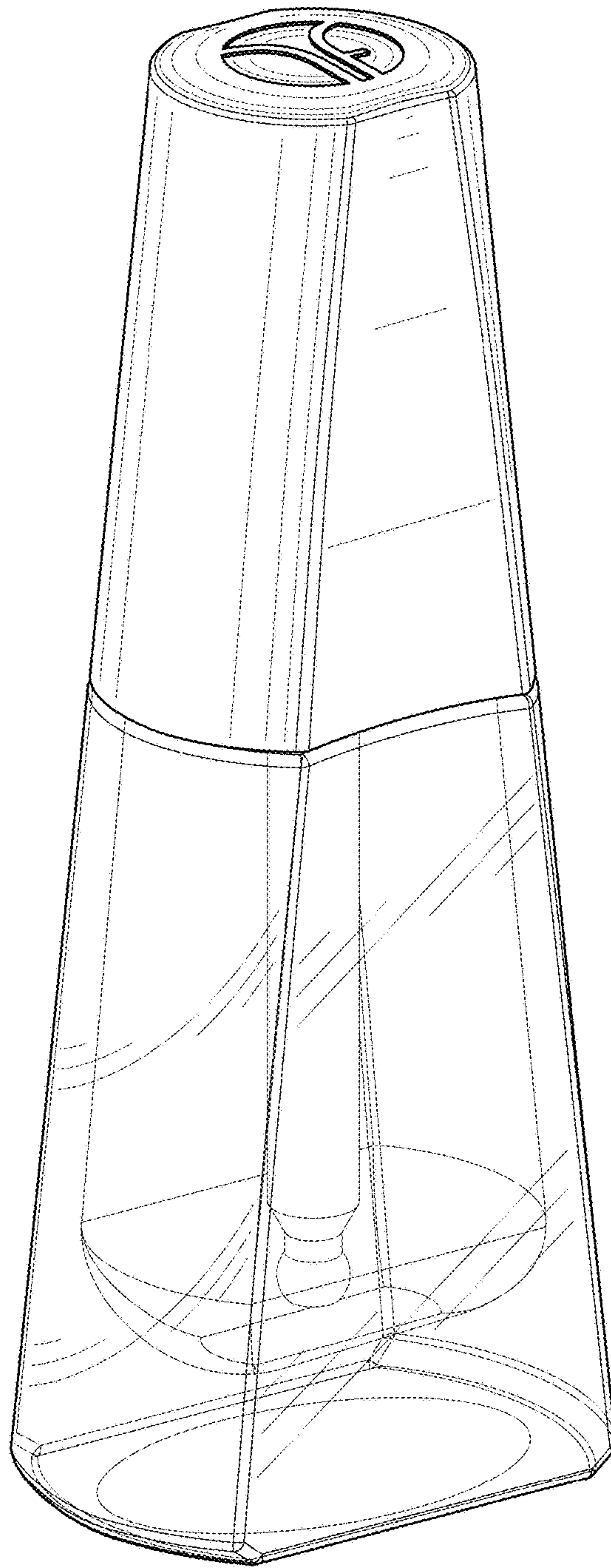


FIG. 1

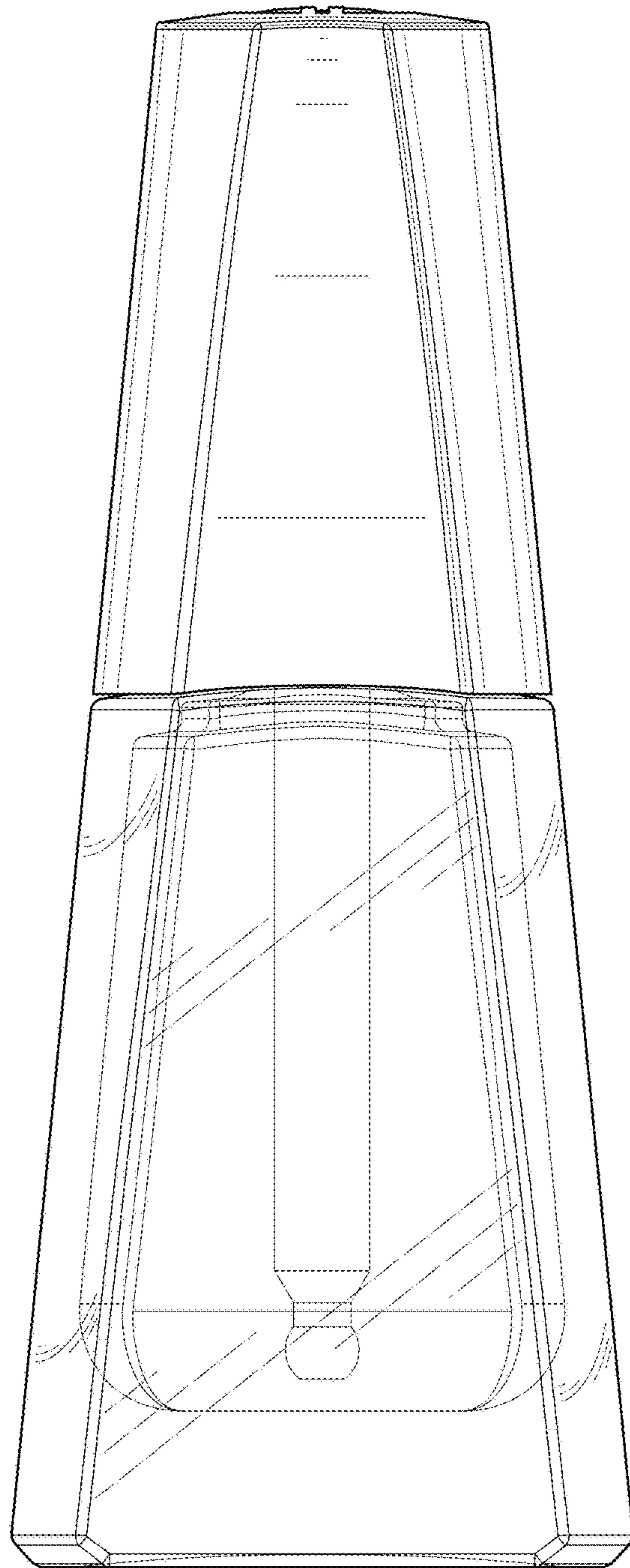


FIG. 2

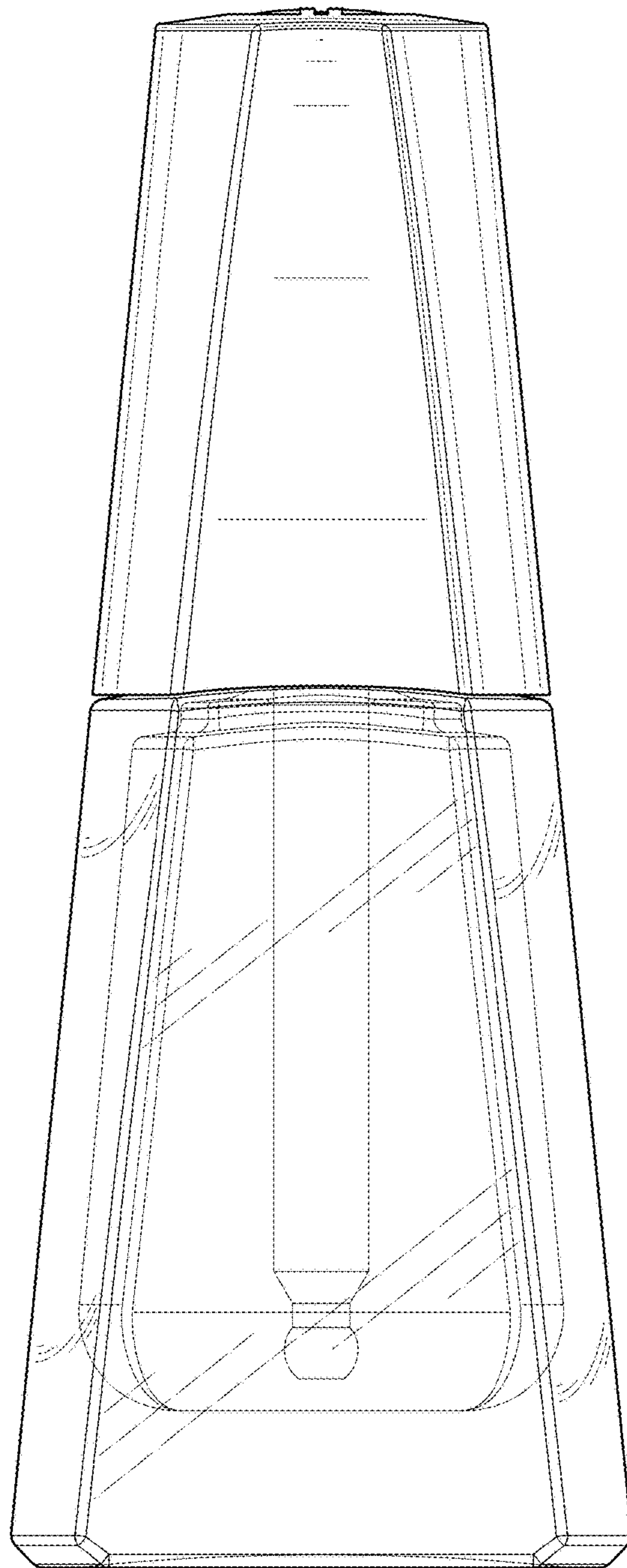


FIG. 3

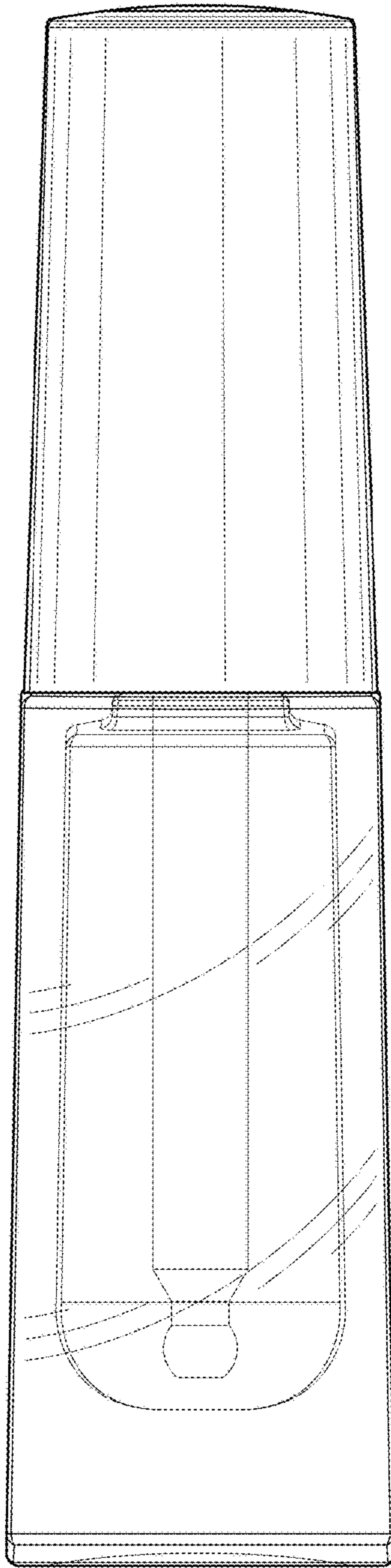


FIG. 4

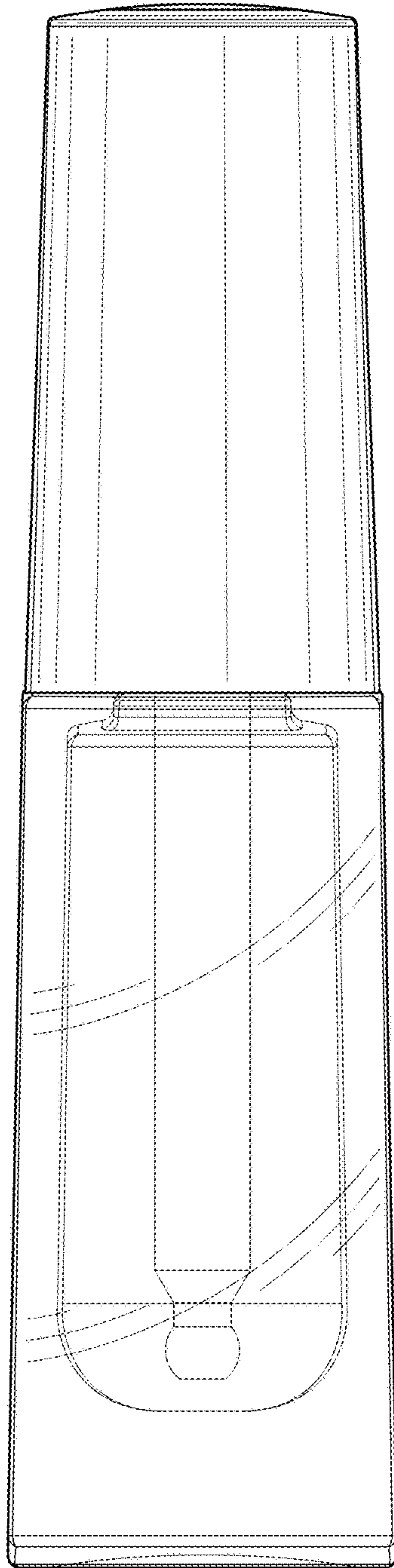


FIG. 5

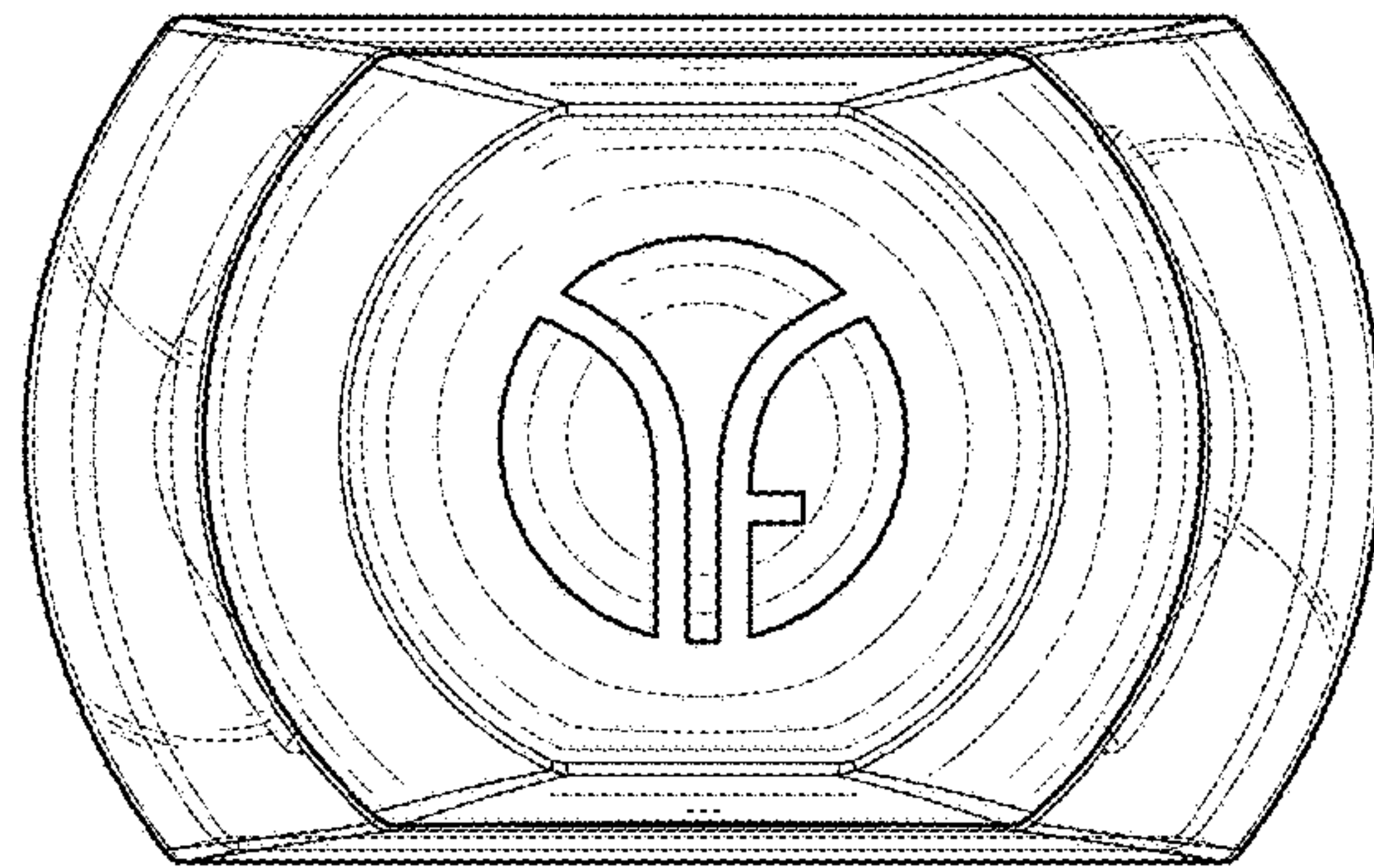


FIG. 6