



US00D857507S

(12) **United States Design Patent** (10) **Patent No.:** **US D857,507 S**
Prater et al. (45) **Date of Patent:** **** Aug. 27, 2019**

- (54) **CONTAINER**
- (71) Applicant: **S. C. Johnson & Son, Inc.**, Racine, WI (US)
- (72) Inventors: **Rodney L. Prater**, Oak Creek, WI (US); **Christopher P. Wolak**, Racine, WI (US); **Kimberly J. Harris**, Milwaukee, WI (US)
- (73) Assignee: **S. C. Johnson & Son, Inc.**, Racine, WI (US)
- (**) Term: **15 Years**
- (21) Appl. No.: **29/664,629**
- (22) Filed: **Sep. 26, 2018**

Related U.S. Application Data

- (63) Continuation of application No. 29/546,818, filed on Nov. 25, 2015, now Pat. No. Des. 830,178, which is a continuation-in-part of application No. 29/505,353, filed on Sep. 21, 2015, now Pat. No. Des. 834,420.
- (51) **LOC (12) Cl.** **09-01**
- (52) **U.S. Cl.**
USPC **D9/516**; D9/500; D9/521
- (58) **Field of Classification Search**
USPC D9/500, 503-505, 516, 521, 530, 537, D9/539, 545, 549, 558, 682, 686, D9/688-691, 715, 719; D24/197, 224
CPC B65D 1/00; B65D 1/02; B65D 1/0223; B65D 23/00; B65D 81/00; B65D 2501/00; B65D 2501/0009
See application file for complete search history.

(56) **References Cited**

U.S. PATENT DOCUMENTS

- 632,321 A 9/1899 Olney
- 3,424,218 A 1/1969 Vanderbur, Jr.

- 3,482,724 A 12/1969 Heaton
- 3,651,993 A 3/1972 Venus, Jr.
- 3,675,831 A 7/1972 Beres
- D225,972 S 1/1973 Khetani
- 3,722,725 A 3/1973 Khetani
- 3,738,536 A 6/1973 Gach
- 3,747,807 A 7/1973 Gach
- 3,773,227 A 11/1973 Laing et al.
- 3,779,427 A 12/1973 Ewald
- 3,804,302 A 4/1974 Yamada et al.
- 3,927,782 A 12/1975 Edwards
- 4,367,820 A 1/1983 Yoshino et al.

(Continued)

FOREIGN PATENT DOCUMENTS

- WO 03095330 A1 11/2003
- WO 2004020313 A1 3/2004

(Continued)

Primary Examiner — Dana Meyrow

(74) *Attorney, Agent, or Firm* — Quarles & Brady LLP

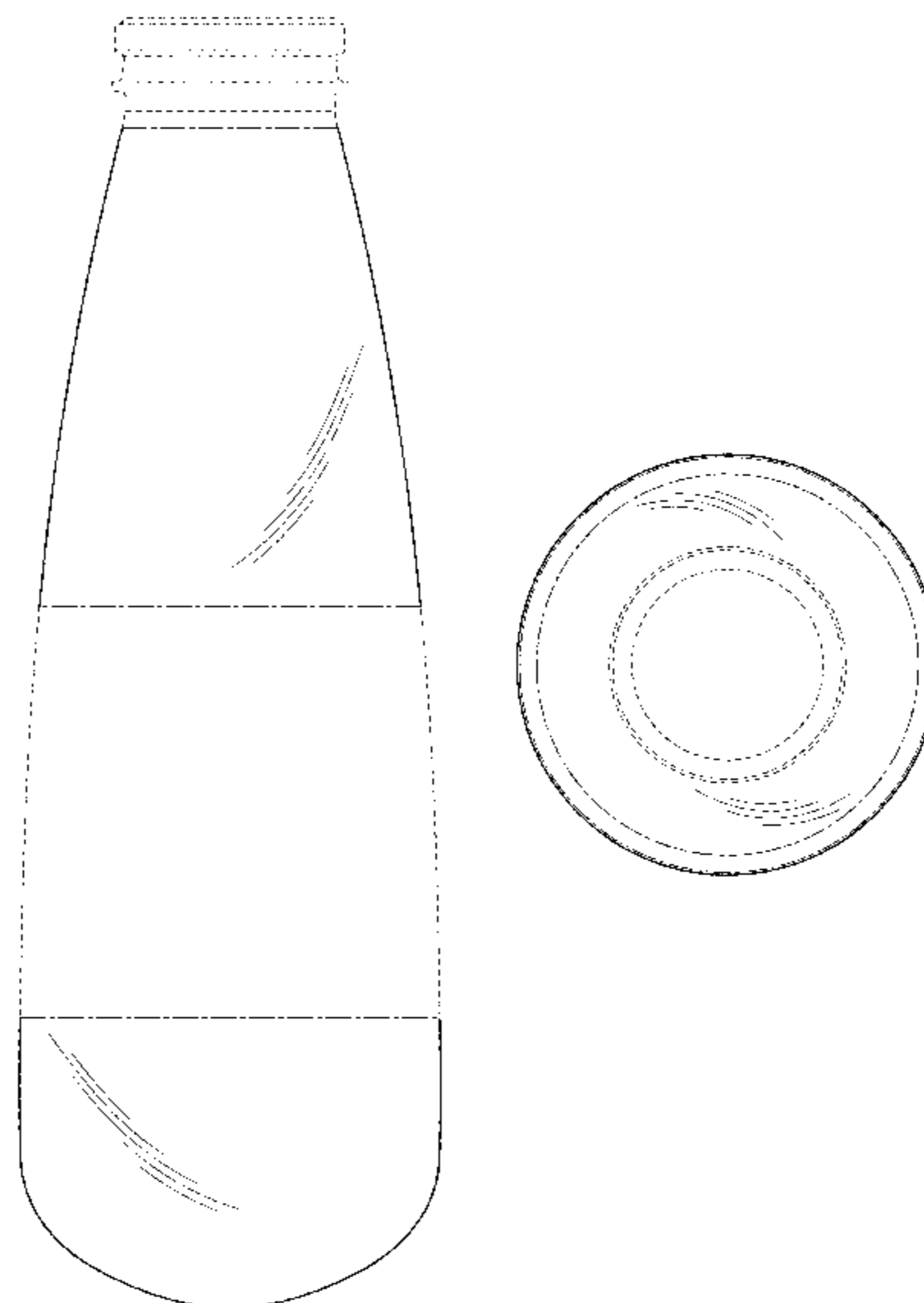
(57) **CLAIM**

The ornamental design for a container, as shown and described.

DESCRIPTION

FIG. 1 is an isometric view of a top and front side of an ornamental design for a container;
 FIG. 2 is a front elevational view of the container of FIG. 1, the rear, left, and right side elevational views being identical thereto;
 FIG. 3 is a top plan view of the container of FIG. 1; and,
 FIG. 4 is an isometric view of a top and front side of another ornamental design for a container.
 The dash-dash-dash broken lines are included for the purpose of illustrating portions that form no part of the claimed design. The dash-dot-dash broken lines shown in the drawings define boundary lines that also form no part of the claimed design.

1 Claim, 3 Drawing Sheets



(56)

References Cited

U.S. PATENT DOCUMENTS

4,438,856 A 3/1984 Chang
 4,552,275 A 11/1985 Chang et al.
 4,566,600 A 1/1986 Chang
 4,609,418 A 9/1986 Yoshino et al.
 D403,965 S 1/1999 Bright et al.
 D447,419 S 9/2001 Jaketic
 6,758,373 B2 7/2004 Jackson et al.
 D500,445 S * 1/2005 DeBiasse D9/500
 D505,980 S 6/2005 Eichhorn
 D517,412 S 3/2006 Walters
 7,036,691 B2 5/2006 Nicolas
 D574,711 S 8/2008 Lederman et al.
 7,487,891 B2 2/2009 Yerby et al.
 7,699,190 B2 4/2010 Hygema
 D618,103 S 6/2010 Leventhal
 7,757,905 B2 7/2010 Strand et al.
 D646,572 S * 10/2011 Koeleman D9/500
 8,100,298 B2 1/2012 Marquardt et al.
 8,127,968 B2 3/2012 Yerby et al.
 8,403,184 B2 3/2013 Eberhardt et al.
 8,418,892 B2 4/2013 Geier
 8,439,223 B2 5/2013 Smith et al.
 8,517,227 B2 8/2013 Strand et al.
 D704,557 S 5/2014 Hamill
 D716,661 S * 11/2014 Dubitsky D9/435
 9,061,795 B2 6/2015 Girardot et al.
 D758,526 S 6/2016 Quail
 D760,590 S 7/2016 Renner et al.
 D761,656 S 7/2016 Renner et al.
 D783,410 S 4/2017 Bertaux
 D816,502 S 5/2018 Harris et al.
 D821,200 S 6/2018 Harris et al.
 D821,201 S 6/2018 Harris et al.

D821,202 S 6/2018 Harris et al.
 D821,203 S 6/2018 Prater et al.
 D821,205 S 6/2018 Christianson et al.
 D821,206 S 6/2018 Christianson et al.
 D821,877 S 7/2018 Harris et al.
 D830,178 S * 10/2018 Prater D9/503
 D830,827 S * 10/2018 Prater D9/500
 D834,420 S * 11/2018 Harris D9/500
 D841,469 S * 2/2019 Christianson D9/503
 2005/0218164 A1 10/2005 Morris et al.
 2006/0118658 A1 6/2006 Corkhill et al.
 2007/0051754 A1 3/2007 Strand et al.
 2007/0290007 A1 12/2007 Eberhardt
 2008/0251543 A1 10/2008 Eberhardt et al.
 2012/0037668 A1 2/2012 Bicknell et al.
 2014/0183228 A1 7/2014 Decea et al.
 2014/0231467 A1 8/2014 Betts et al.
 2014/0291353 A1 10/2014 Betts et al.
 2014/0299148 A1 10/2014 Betts et al.
 2015/0034584 A1 * 2/2015 Renner B29C 49/08
 215/43
 2017/0341849 A1 11/2017 Wolak et al.

FOREIGN PATENT DOCUMENTS

WO 2004020314 A1 3/2004
 WO 2004078635 A2 9/2004
 WO 2006058626 A1 6/2006
 WO 2006061099 A1 6/2006
 WO 2007022422 A2 2/2007
 WO 2008085896 A2 7/2008
 WO 2010052168 A1 5/2010
 WO 2013068190 A1 5/2013
 WO 2013068191 A1 5/2013
 WO 2013068219 A1 5/2013

* cited by examiner

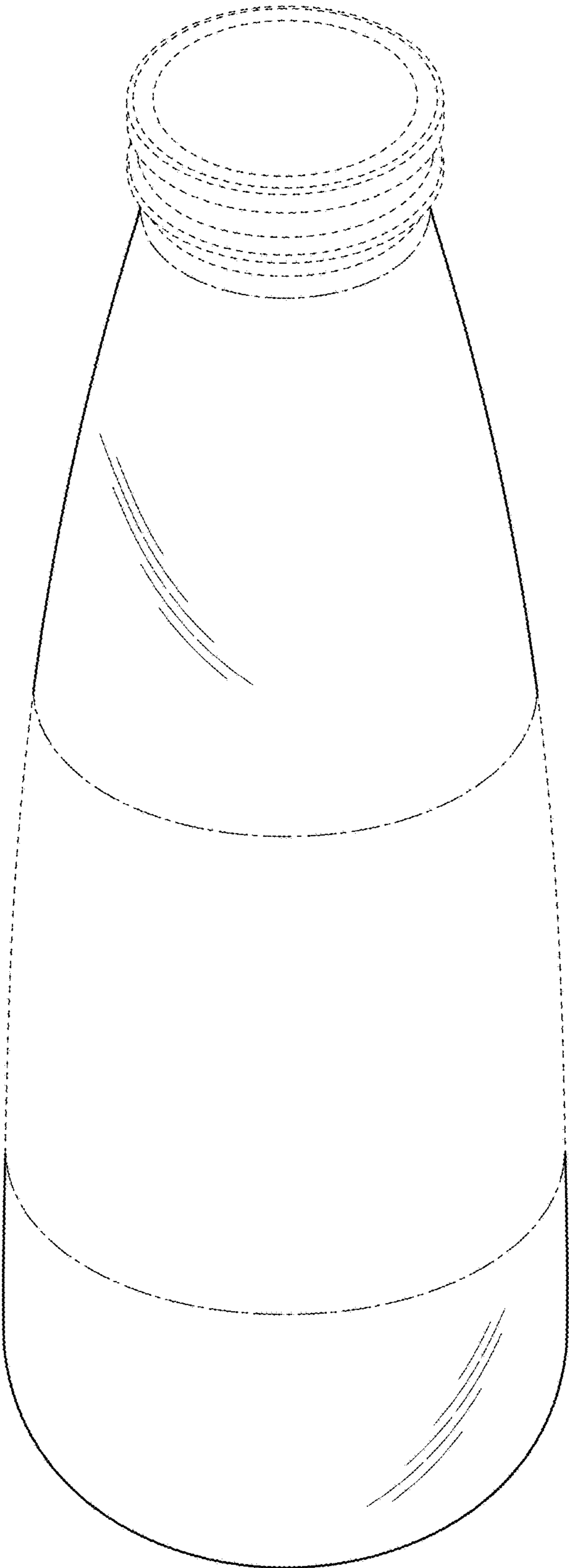


FIG. 1

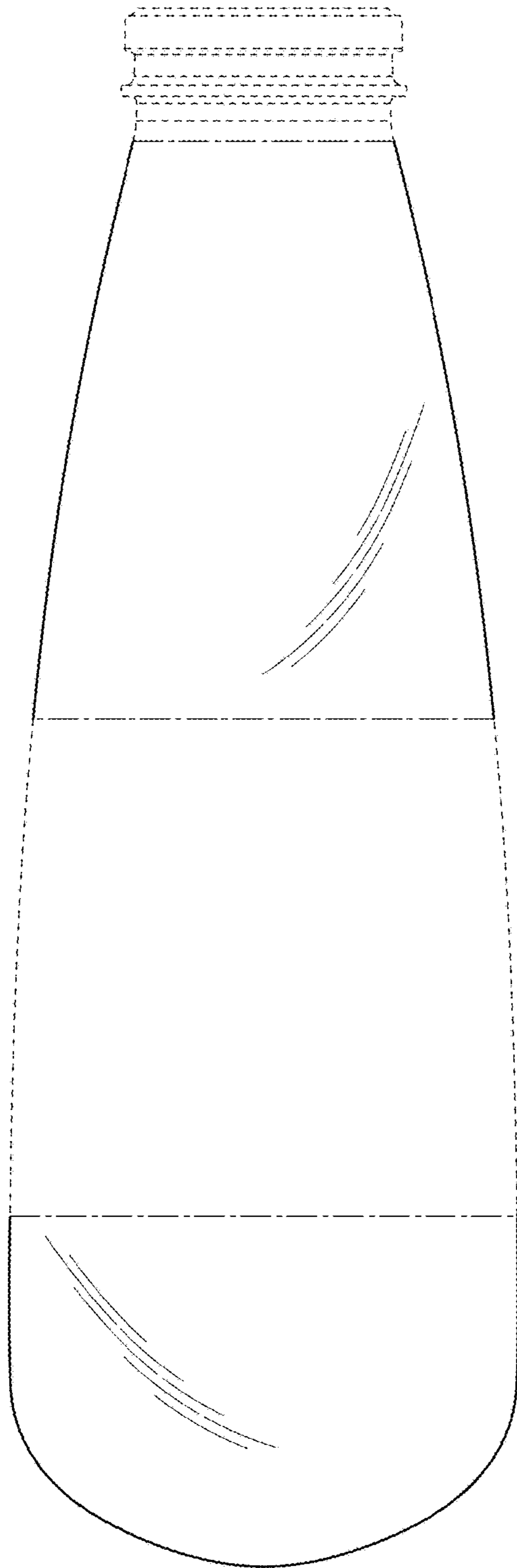


FIG. 2

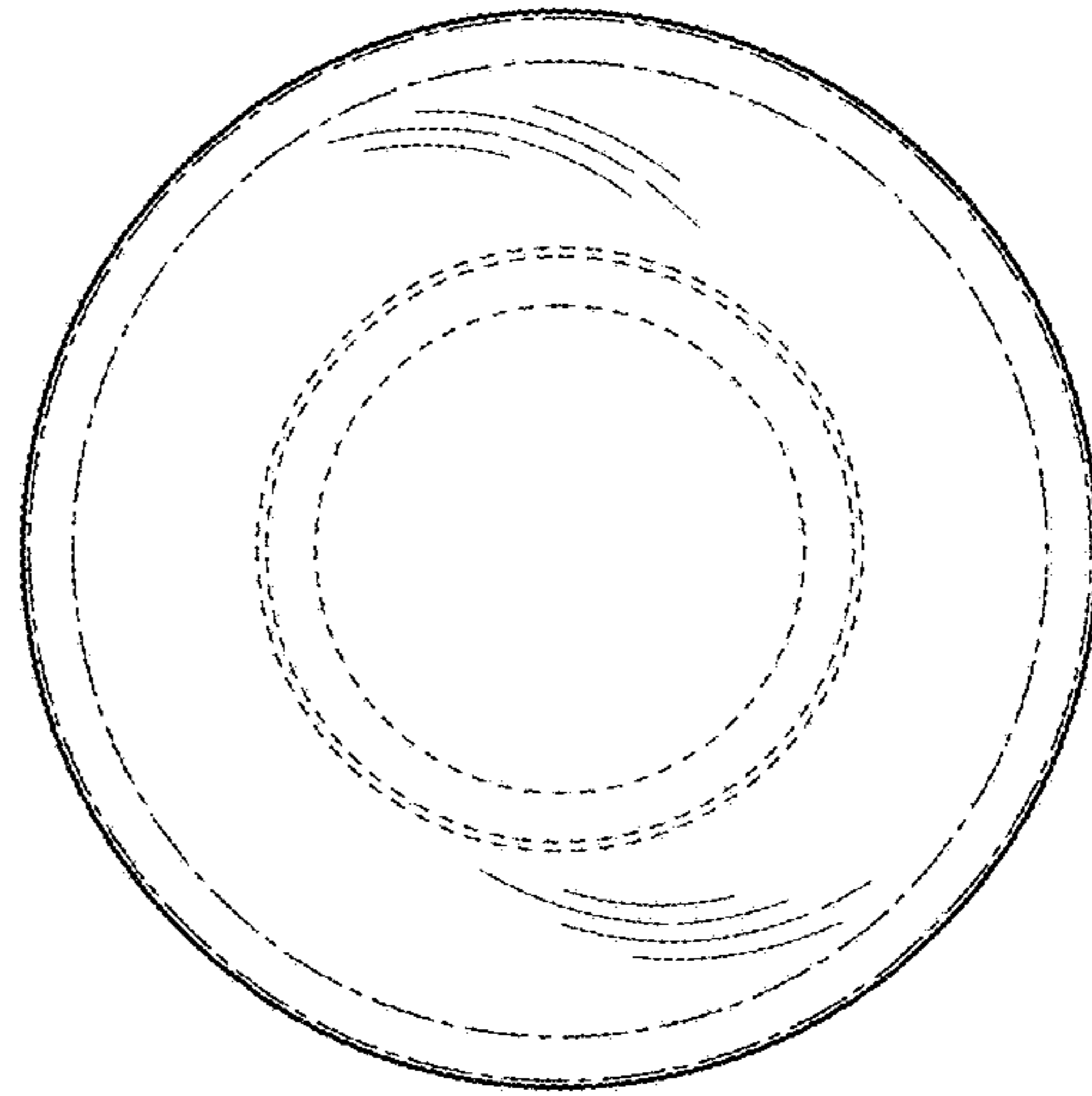


FIG. 3

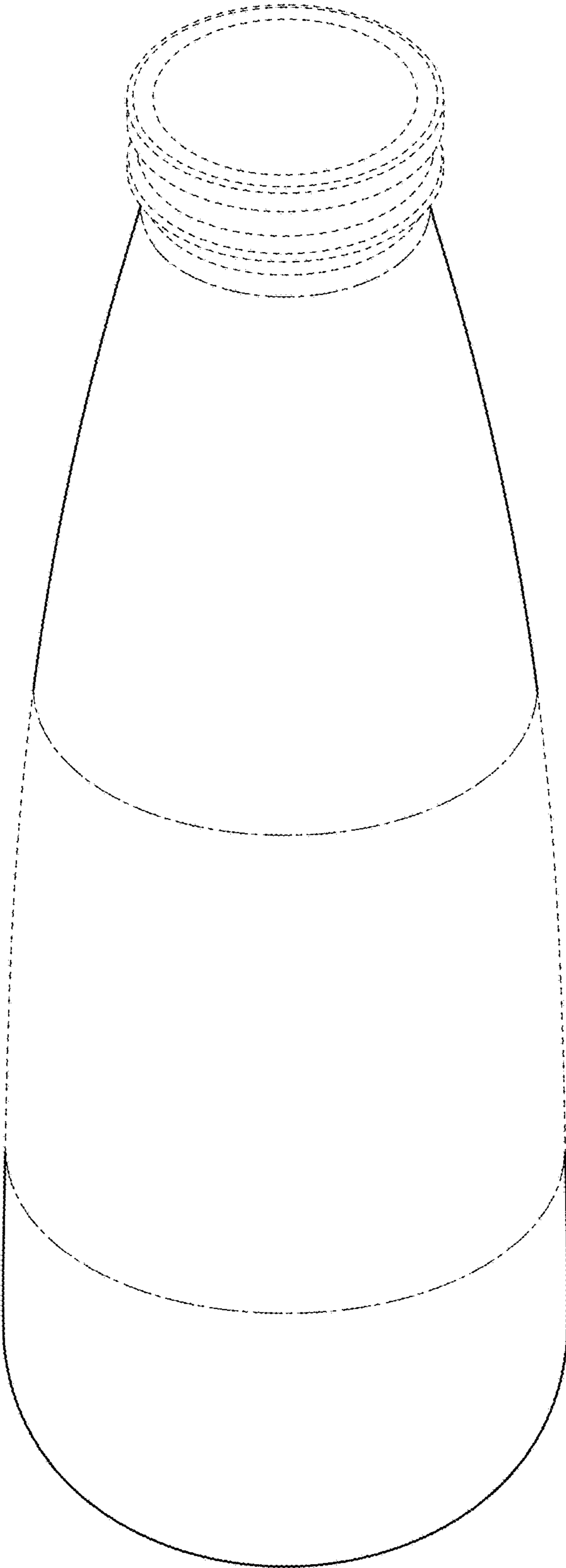


FIG. 4